



US00D406626S

United States Patent [19]

Hauser et al.

[11] **Patent Number: Des. 406,626**

[45] **Date of Patent: **Mar. 9, 1999**

[54] **SNOWBOARD**

[75] Inventors: **Ruedi Hauser; Shaw Kaake**, both of Zurich, Switzerland

[73] Assignee: **Marker Deutschland GmbH**, Eschenlohe, Germany

[**] Term: **14 Years**

[21] Appl. No.: **75,970**

[22] Filed: **Jul. 7, 1997**

[51] **LOC (6) Cl.** **21-02**

[52] **U.S. Cl.** **D21/760**

[58] **Field of Search** D21/760, 766-774; 280/602, 607, 609, 610, 617, 611; 441/74

[56] **References Cited**

U.S. PATENT DOCUMENTS

D. 205,186	7/1966	Koskela	D21/760
D. 323,007	1/1992	Chantry	D21/760
D. 376,561	12/1996	Sloss	D21/760
D. 379,647	6/1997	Levinthal	D21/760
D. 386,236	11/1997	Gervasoni	D21/760
5,649,722	7/1997	Champlin	280/609

Primary Examiner—Kay H. Chin
Attorney, Agent, or Firm—D. Peter Hochberg

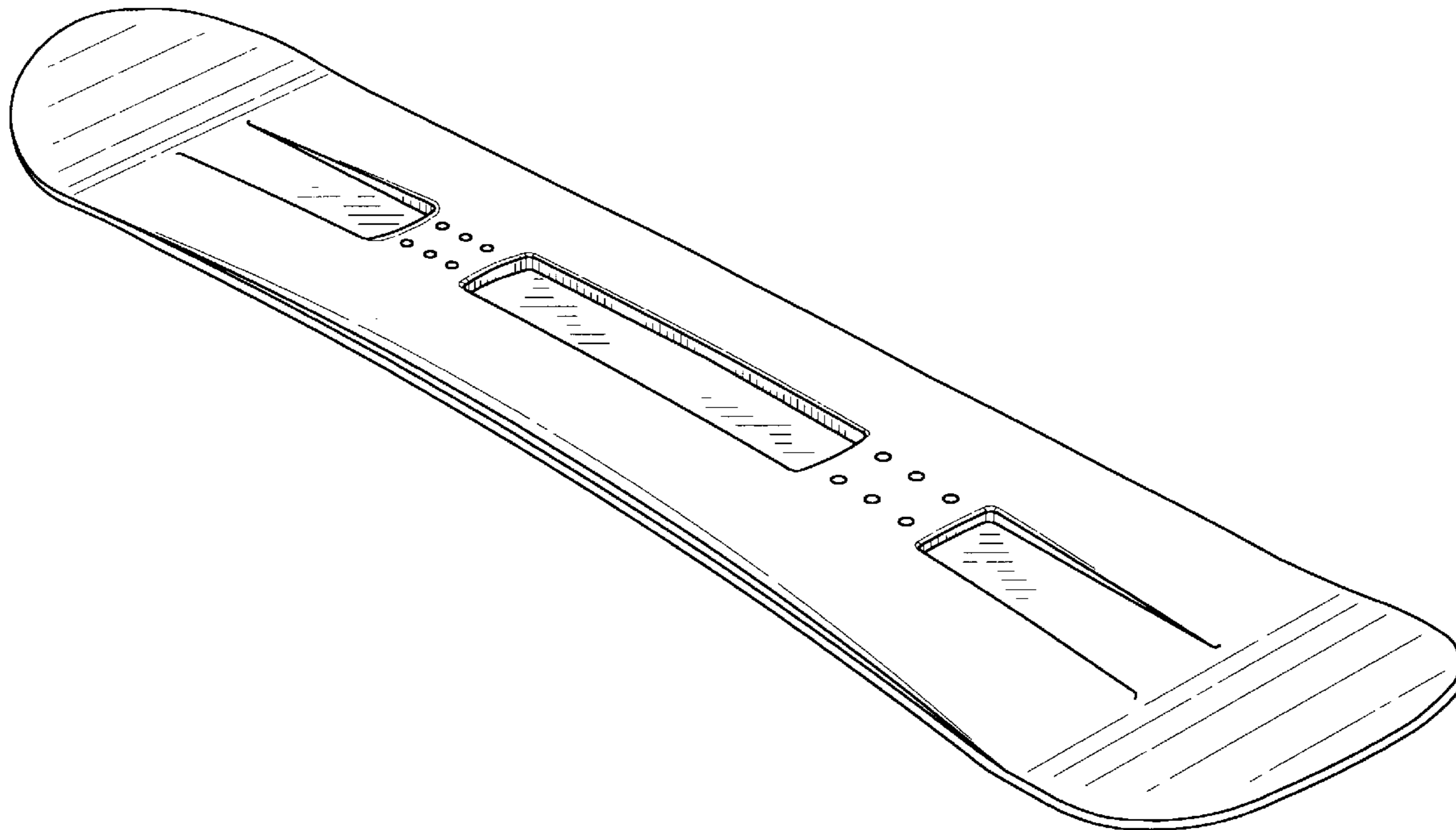
[57] **CLAIM**

The ornamental design of a snowboard, as shown and described.

DESCRIPTION

FIG. 1 is a top perspective view of a snowboard showing our new design;
 FIG. 2 is a top plan view of FIG. 1;
 FIG. 3 is a top perspective view of a second embodiment of the snowboard;
 FIG. 4 is a top plan view of FIG. 3;
 FIG. 5 is a top perspective view of a third embodiment of the snowboard;
 FIG. 6 is a top plan view of FIG. 5;
 FIG. 7 is a bottom plan view of the snowboards shown in FIGS. 1-6;
 FIG. 8 is a side elevational view of the snowboards shown in FIGS. 1-6;
 FIG. 9 is a right side elevational view of the snowboards shown in FIGS. 1-6; and,
 FIG. 10 is a left side elevational view of the snowboards shown in FIGS. 1-6.

1 Claim, 4 Drawing Sheets



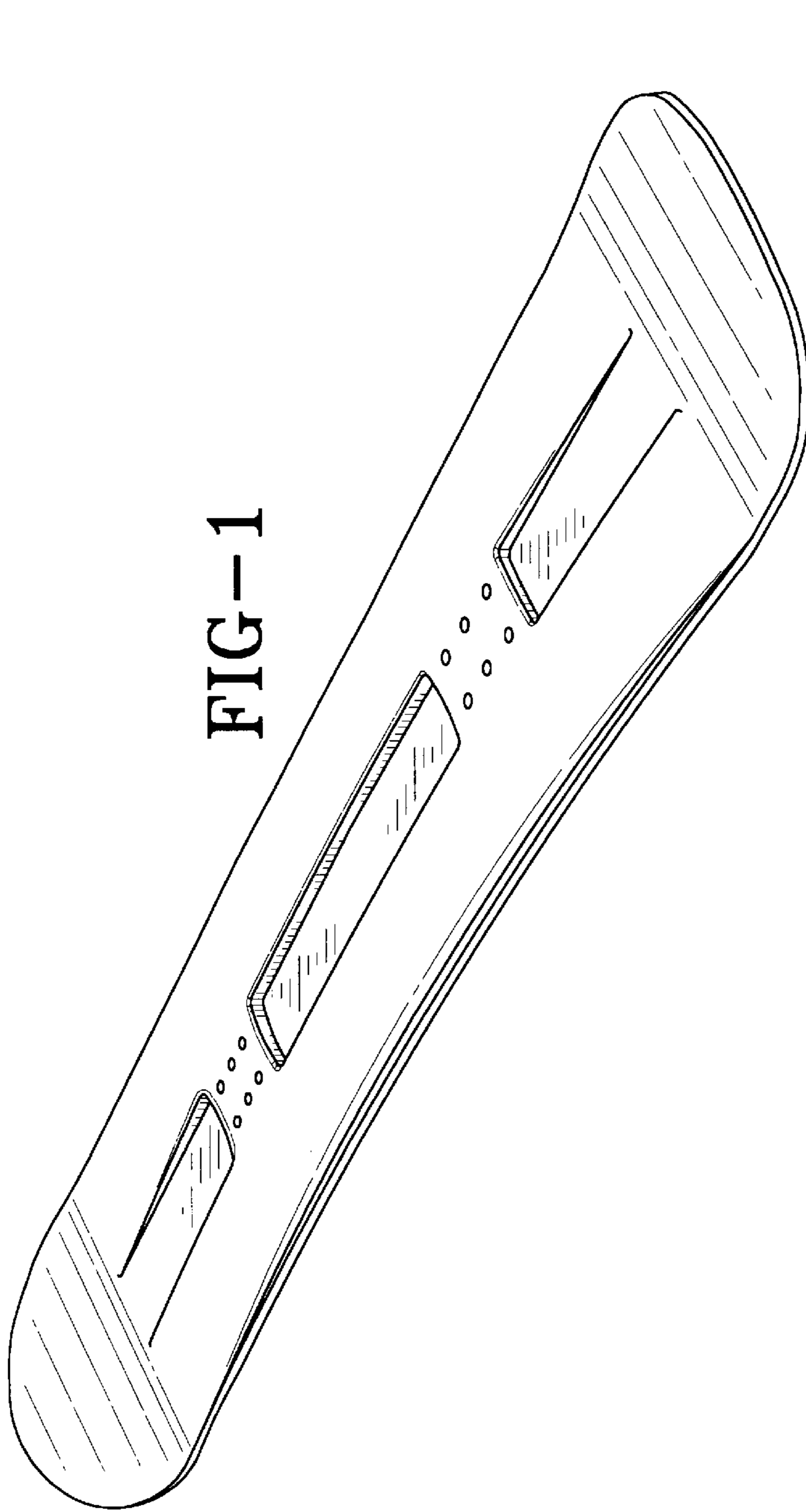
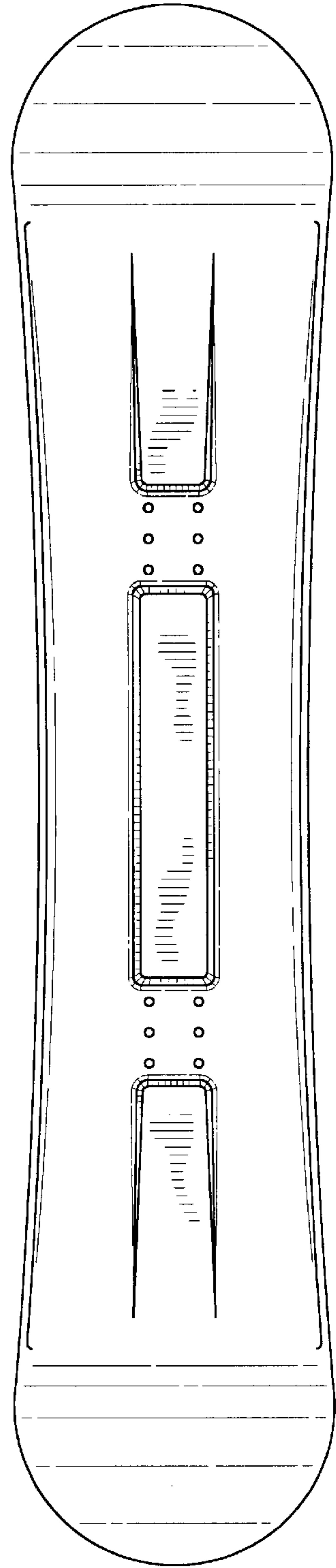


FIG-2



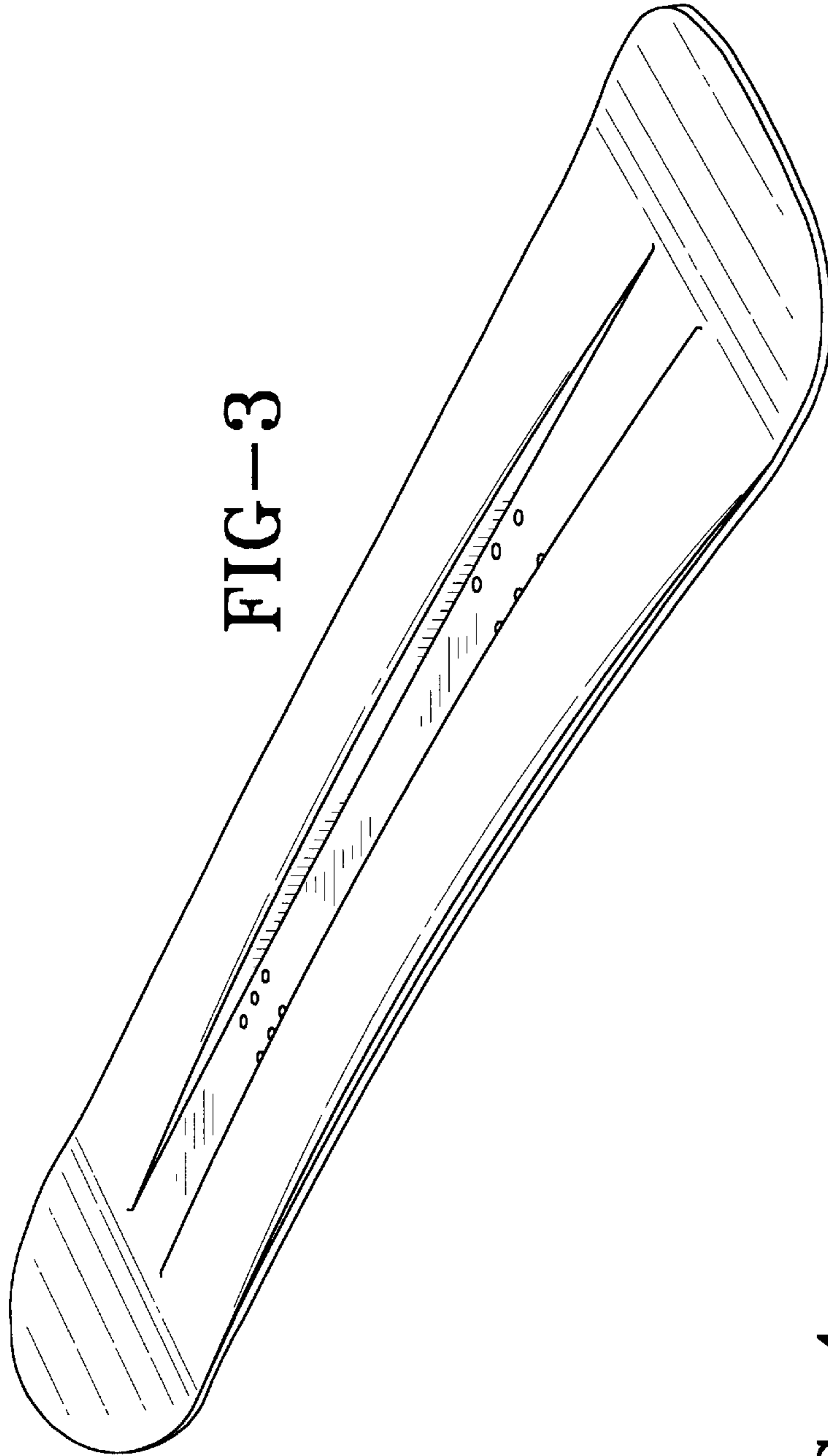


FIG-4

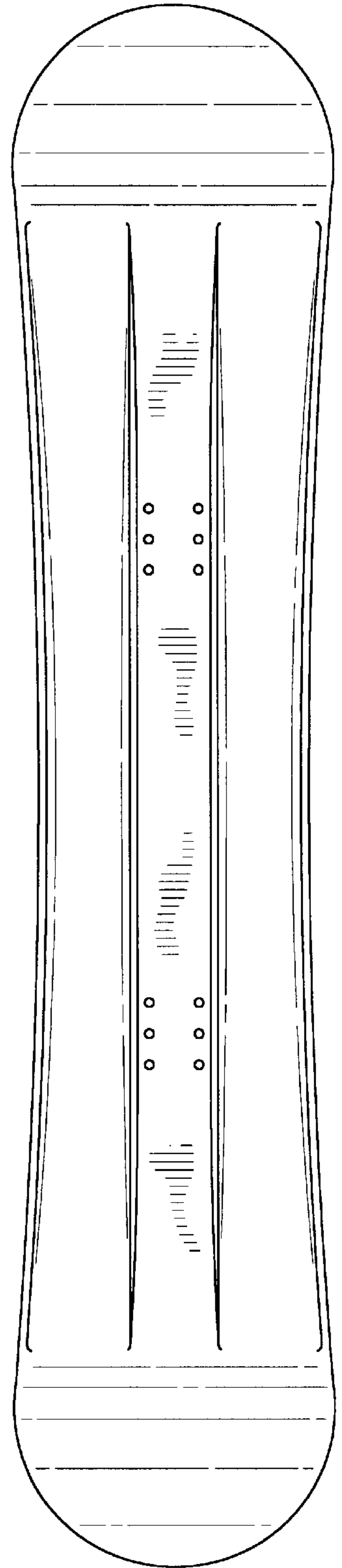


FIG-5

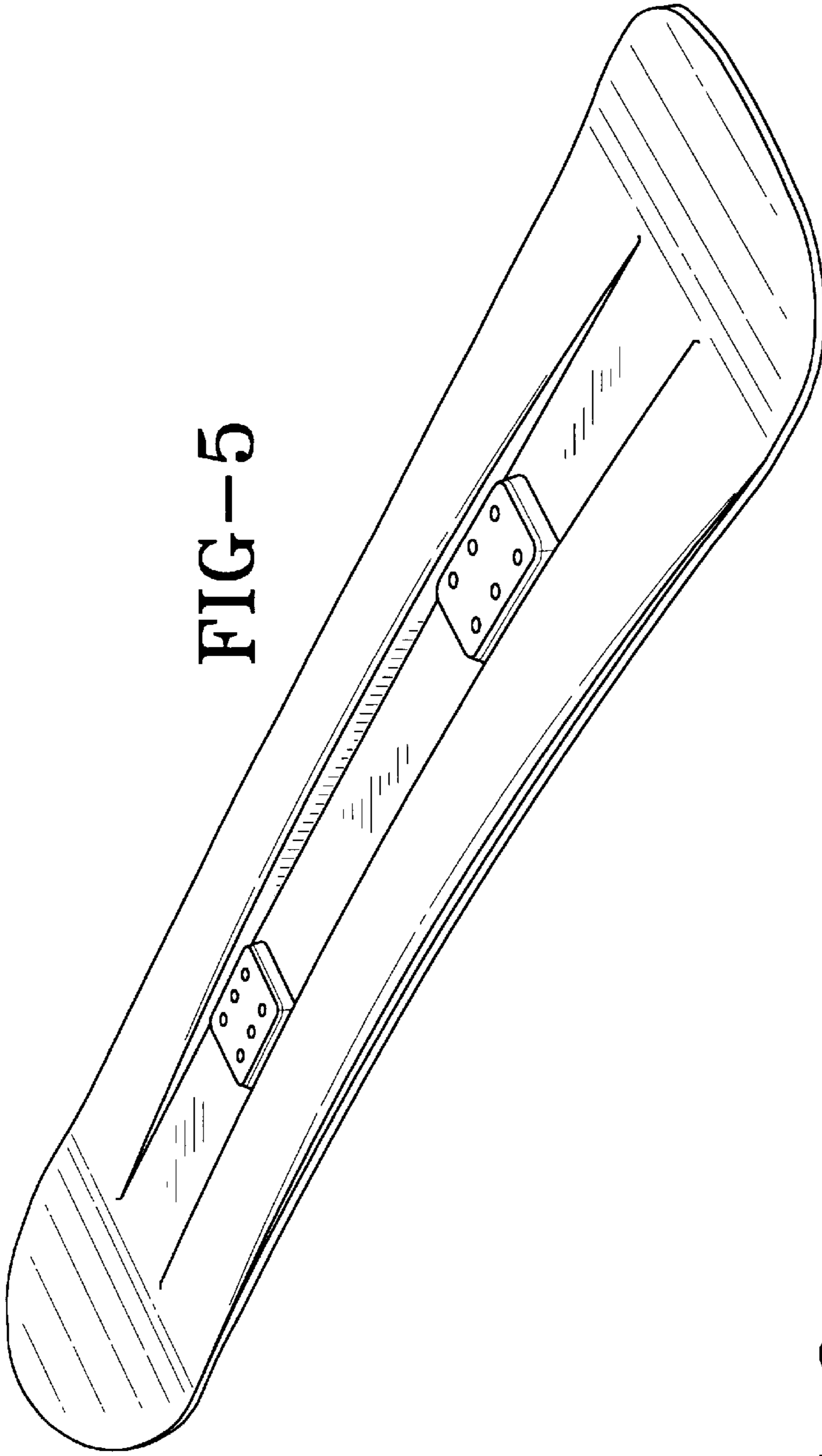
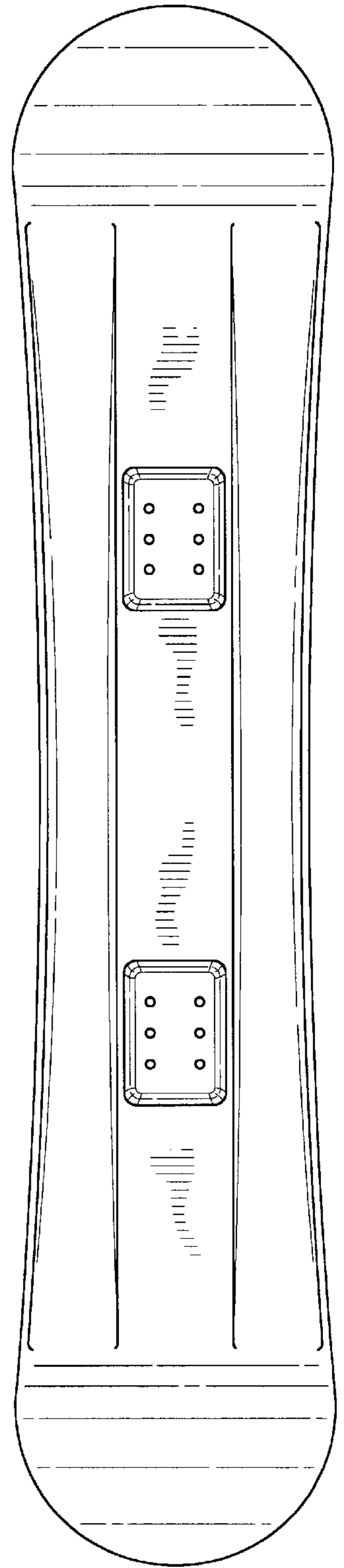


FIG-6



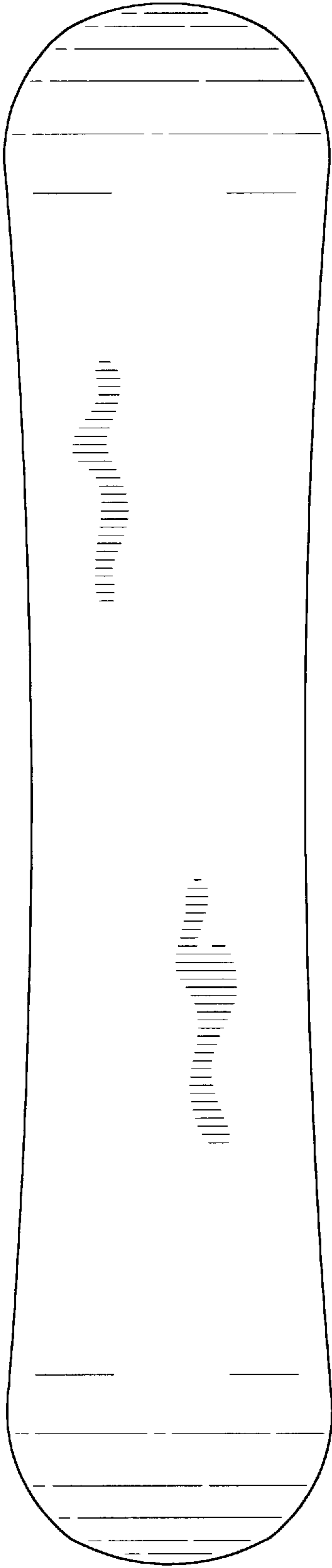


FIG-7

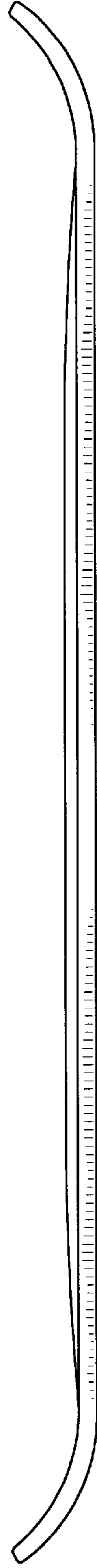


FIG-8



FIG-9

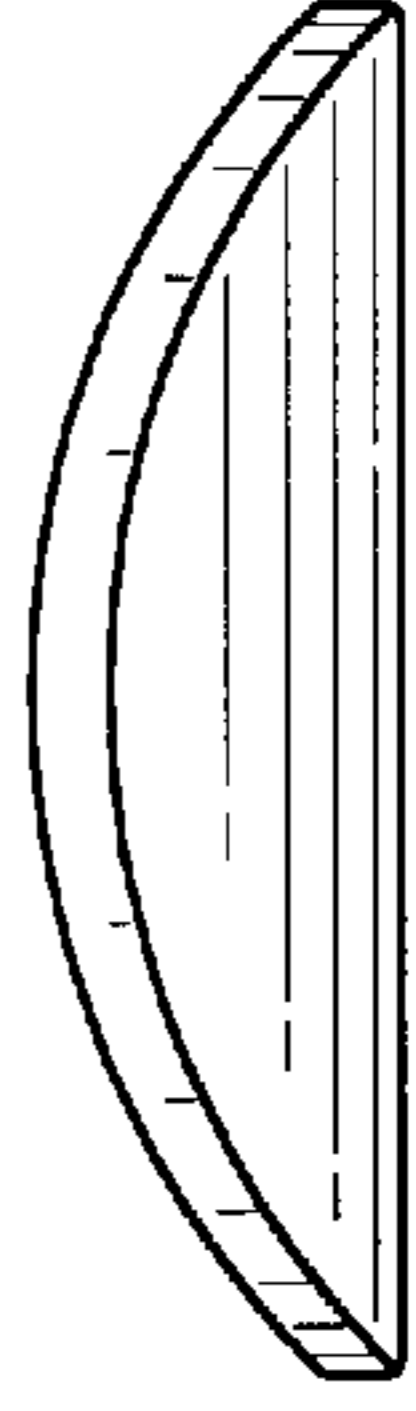


FIG-10