



US00D406625S

# United States Patent [19] Hutzenlaub

[11] **Patent Number: Des. 406,625**

[45] **Date of Patent: \*\*Mar. 9, 1999**

[54] **GOALIE HOCKEY STICK**

2205757 12/1988 United Kingdom .  
PCT/FR88/  
00281 12/1988 WIPO .

[76] Inventor: **John Hutzenlaub**, 948 N. Oak Park Ave., Oak Park, Ill. 60302

[\*\*] Term: **14 Years**

*Primary Examiner*—Philip S. Hyder  
*Assistant Examiner*—Mitchell I. Siegel  
*Attorney, Agent, or Firm*—Leydig, Voit & Mayer, Ltd.

[21] Appl. No.: **87,243**

[22] Filed: **Apr. 29, 1998**

[57] **CLAIM**

[51] **LOC (6) Cl. .... 21-02**

[52] **U.S. Cl. .... D21/727**

[58] **Field of Search .... D21/727; 273/57.2; 473/189, 132**

The ornamental design for a goalie hockey stick, as shown and described.

**DESCRIPTION**

[56] **References Cited**

**U.S. PATENT DOCUMENTS**

D. 241,758	10/1976	Matilainen .....	D21/727
D. 263,329	3/1982	Clayton .....	D21/727
D. 344,115	2/1994	Goyette .....	D21/727
4,544,157	10/1985	Curtis .....	273/67
5,456,463	10/1995	Dolan et al. ....	273/67
5,582,405	12/1996	Montgomery .....	273/67

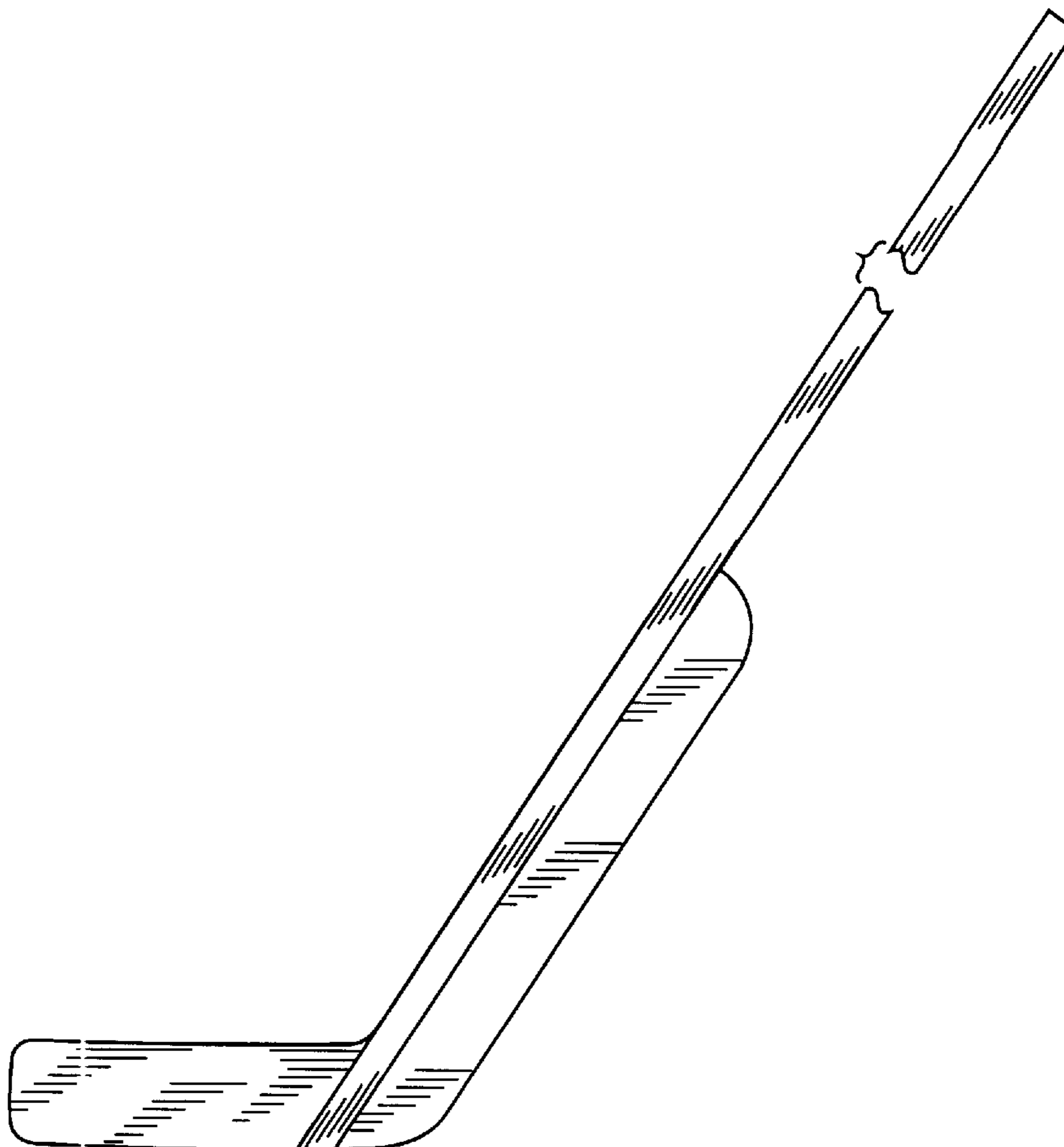
FIG. 1 is a front side view of a goalie hockey stick showing my new design;  
FIG. 2 is a rear side view thereof;  
FIG. 3 is a left side view thereof;  
FIG. 4 is a right side view thereof;  
FIG. 5 is a top view thereof; and,  
FIG. 6 is a bottom view thereof.

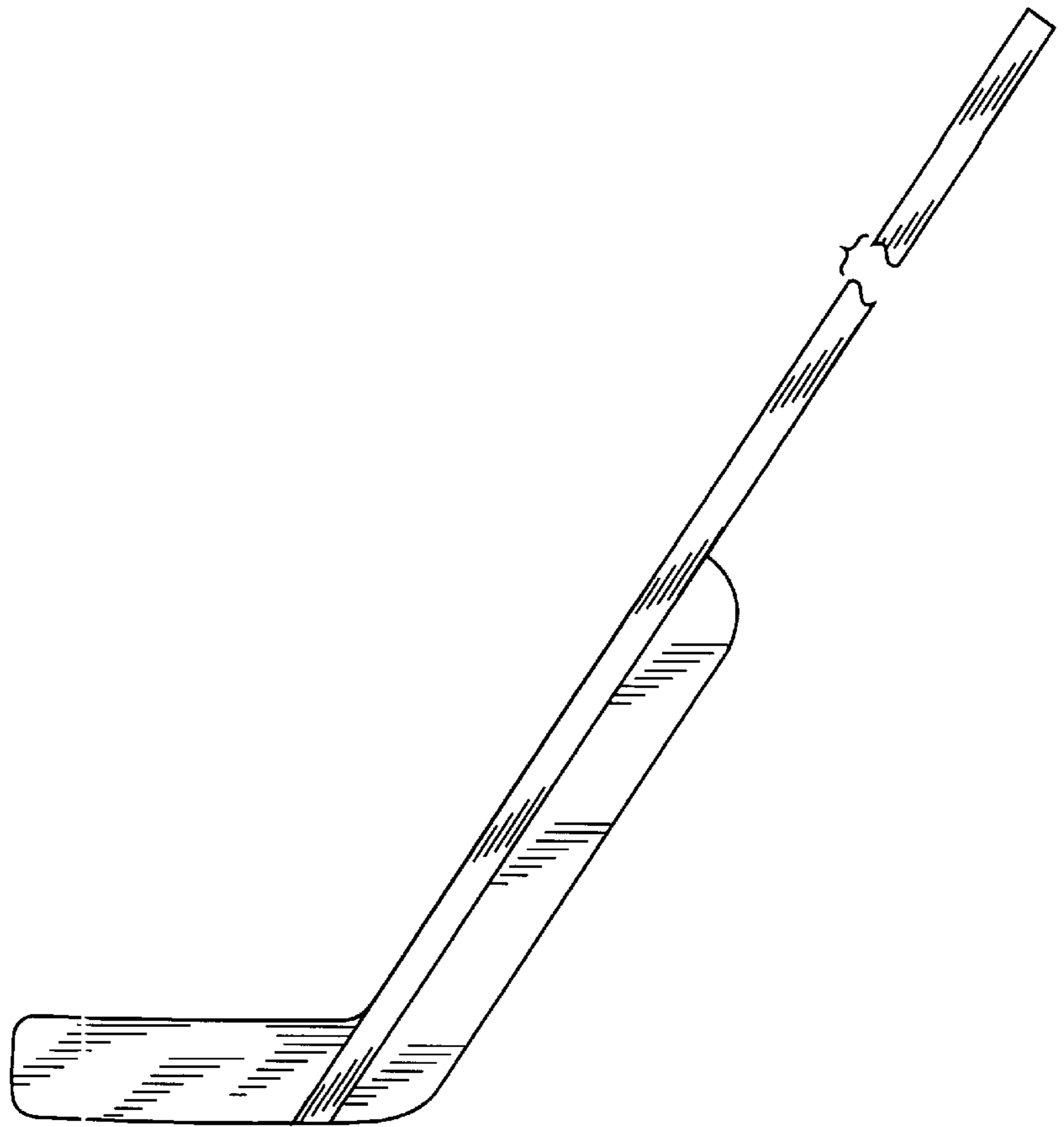
The broken away portion of the shaft is due to indeterminate length.

**FOREIGN PATENT DOCUMENTS**

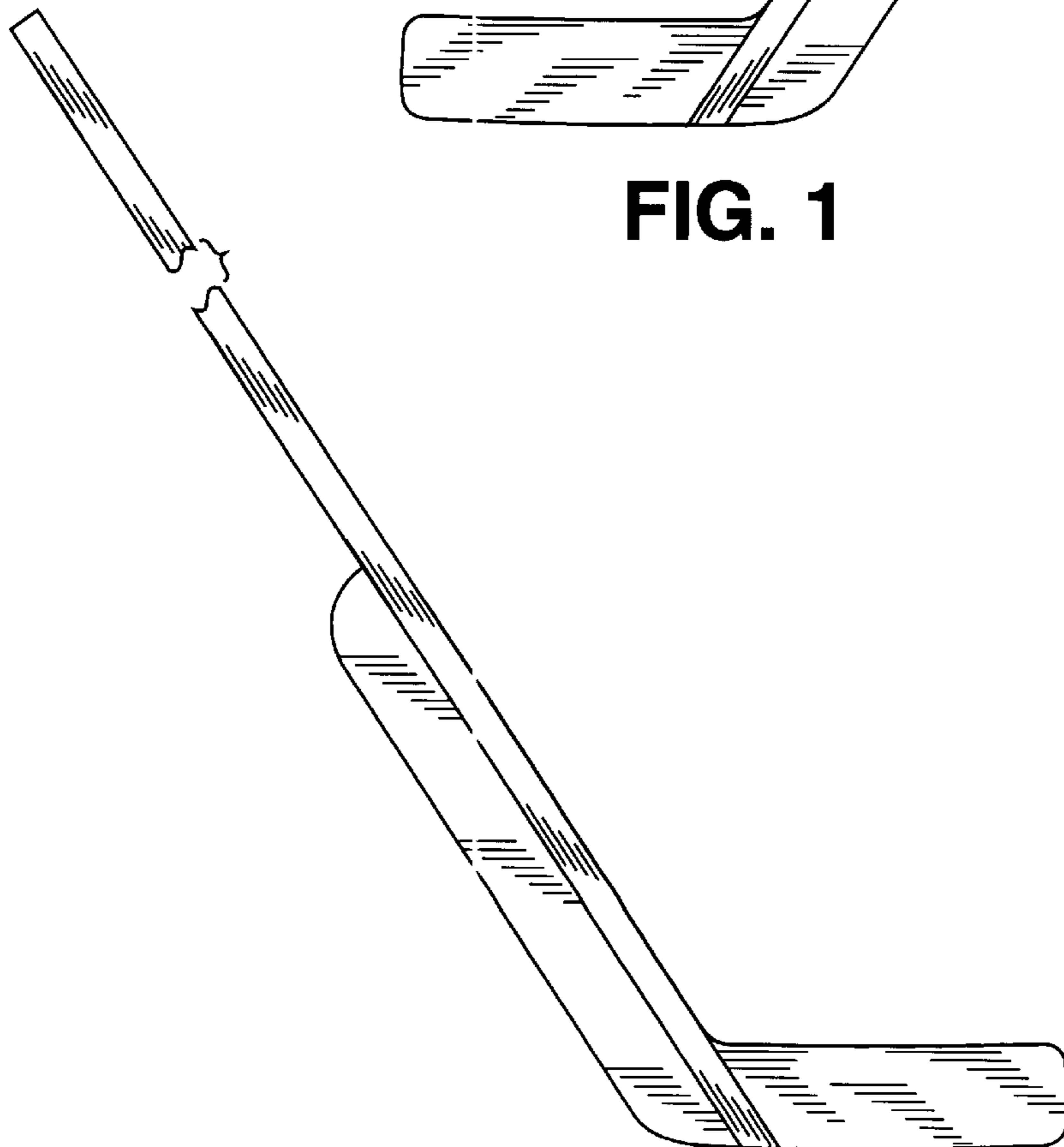
273438 8/1927 Canada .

**1 Claim, 2 Drawing Sheets**





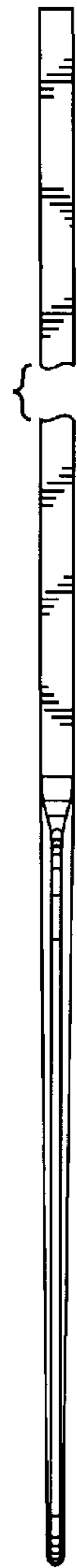
**FIG. 1**



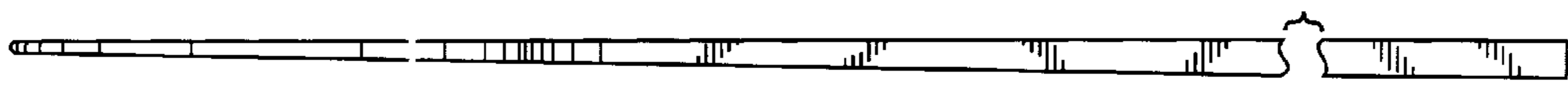
**FIG. 2**



**FIG. 3**



**FIG. 4**



**FIG. 5**



**FIG. 6**