



US00D406621S

# United States Patent [19] Piaget

[11] **Patent Number: Des. 406,621**

[45] **Date of Patent: \*\*Mar. 9, 1999**

[54] **TREADMILL EXERCISE APPARATUS**

5,626,539 5/1997 Piaget et al. .... 482/52  
5,669,856 9/1997 Liu ..... 482/54

[76] Inventor: **Gary D. Piaget**, 3390 American  
Saddler Dr., Park City, Utah 84060

*Primary Examiner*—Philip S. Hyder  
*Attorney, Agent, or Firm*—Barlow, Josephs & Holmes, Ltd.

[\*\*] Term: **14 Years**

[57] **CLAIM**

[21] Appl. No.: **82,496**

The ornamental design for a treadmill exercise apparatus, as shown.

[22] Filed: **Jan. 23, 1998**

**DESCRIPTION**

[51] **LOC (6) Cl.** ..... **21-02**

[52] **U.S. Cl.** ..... **D21/669**

[58] **Field of Search** ..... D21/662, 669;  
482/51, 52, 53, 54

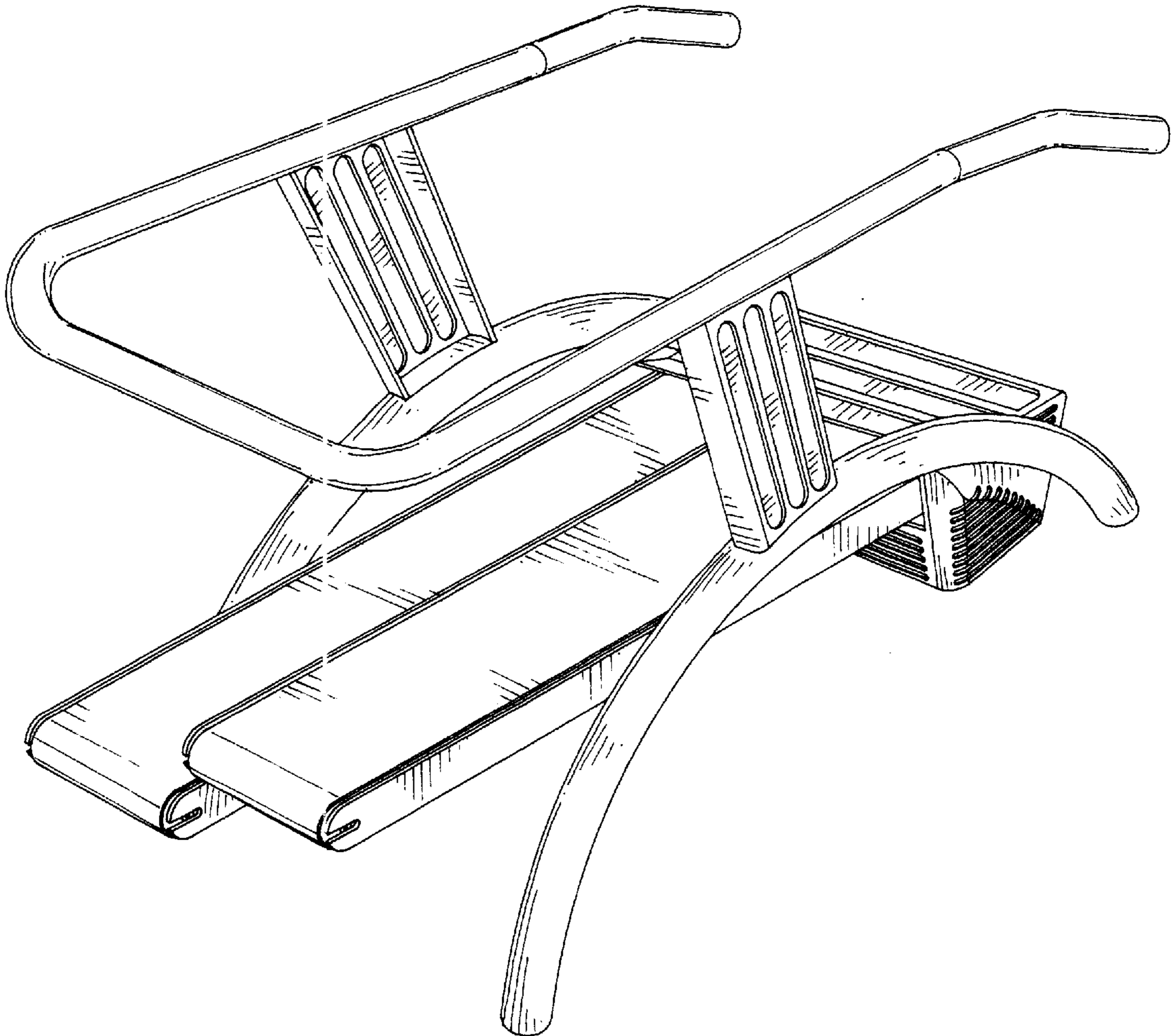
FIG. 1 is a perspective view showing my new design for a treadmill exercise apparatus;  
FIG. 2 is a top view thereof;  
FIG. 3 is a bottom view thereof;  
FIG. 4 is a left side view thereof;  
FIG. 5 is a right side view thereof;  
FIG. 6 is a front view thereof; and,  
FIG. 7 is a rear view thereof.

[56] **References Cited**

**U.S. PATENT DOCUMENTS**

- D. 321,734 11/1991 Dunham et al. .... D21/669
- D. 369,843 5/1996 Wang et al. .... D21/669
- 5,336,146 8/1994 Piaget et al. .... 482/52
- 5,607,376 3/1997 Magid ..... 482/54

**1 Claim, 4 Drawing Sheets**



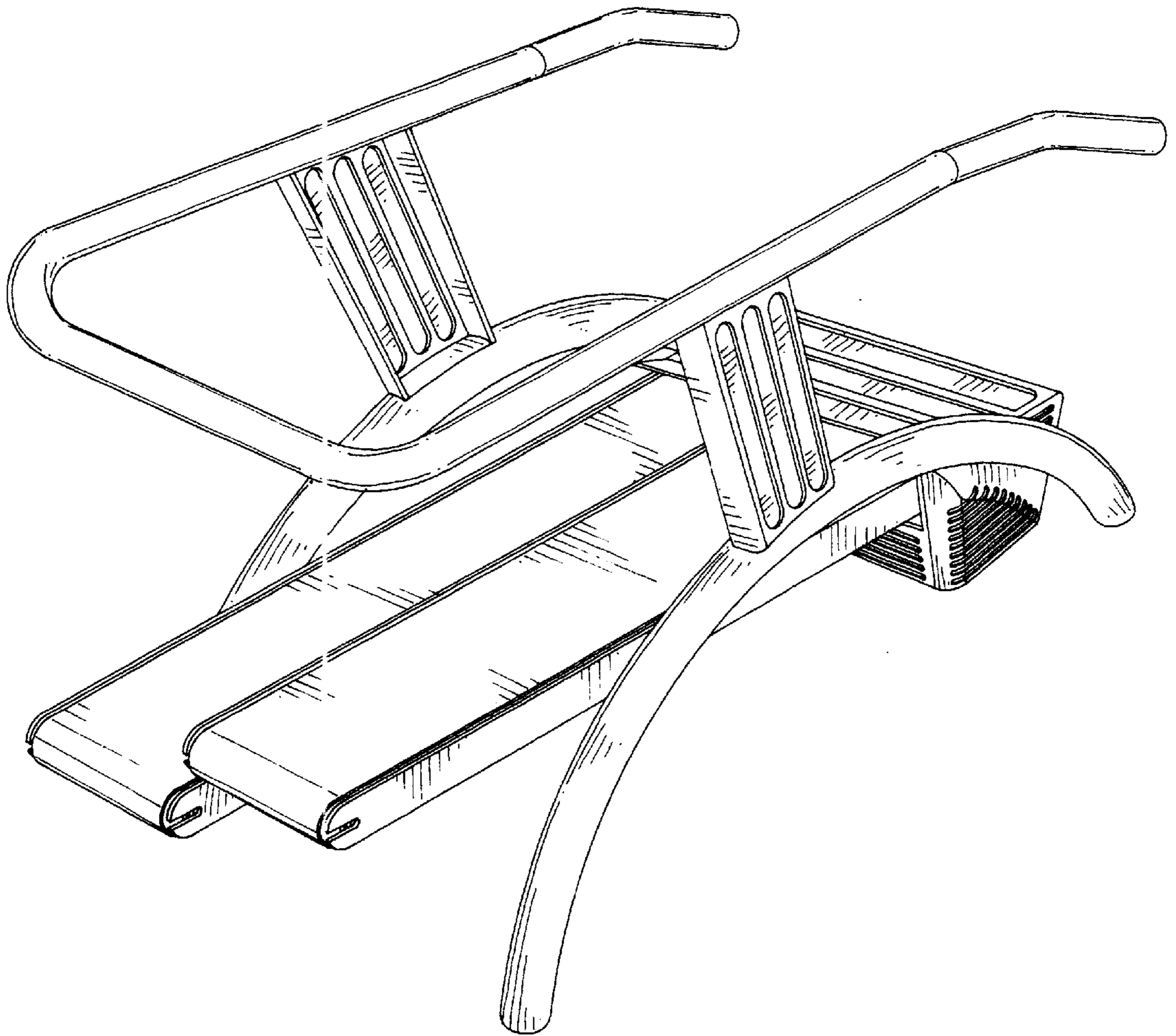


FIG. 1

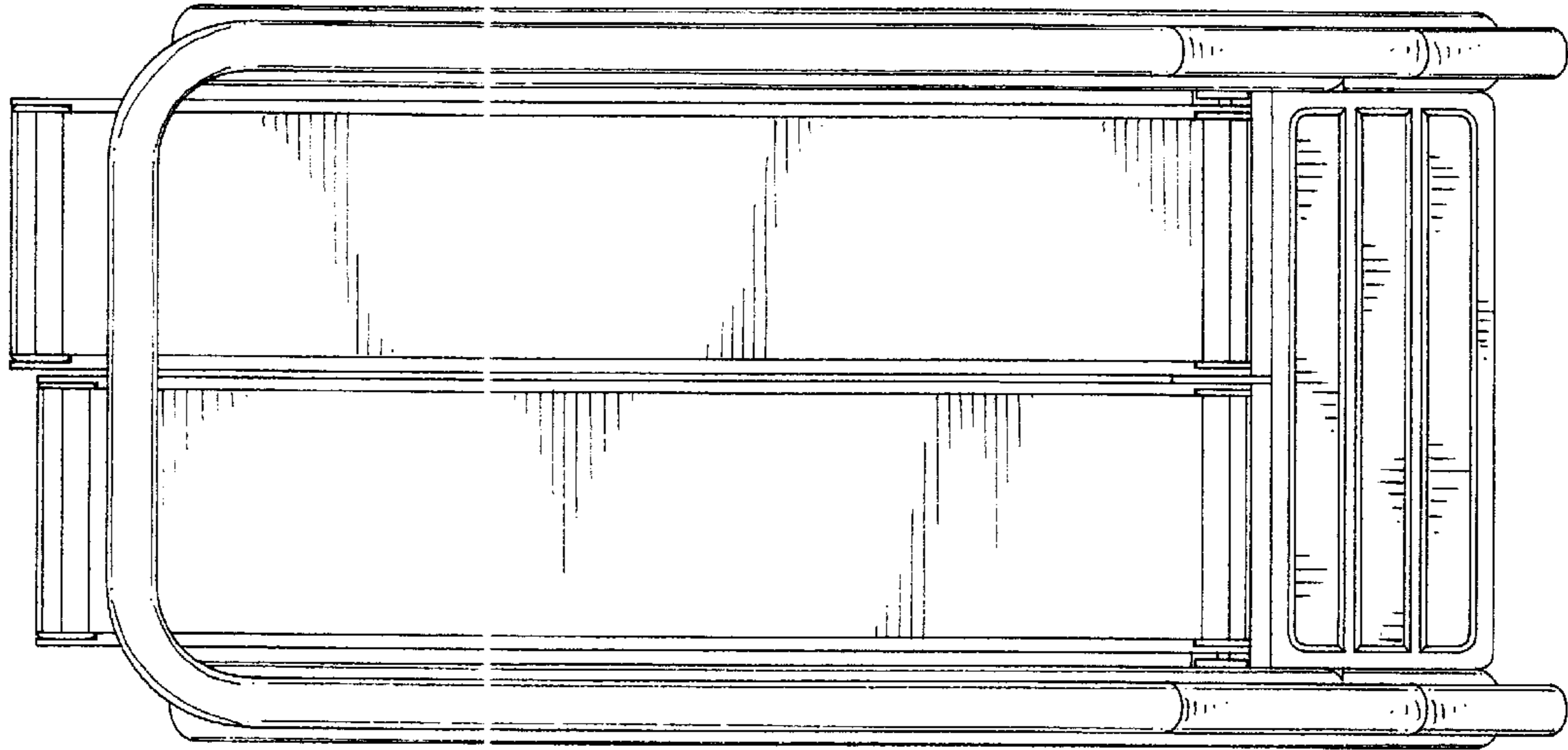


FIG. 2

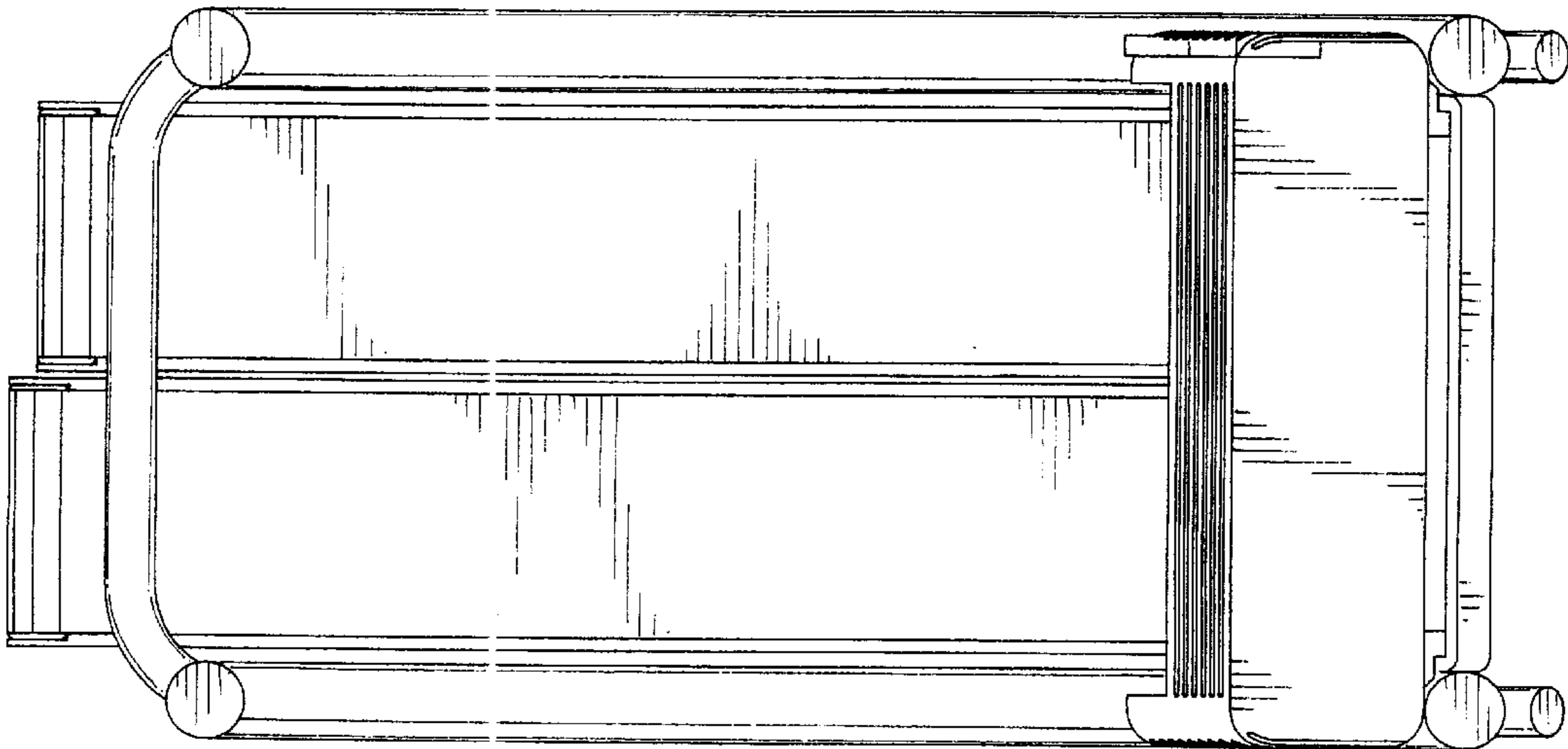


FIG. 3

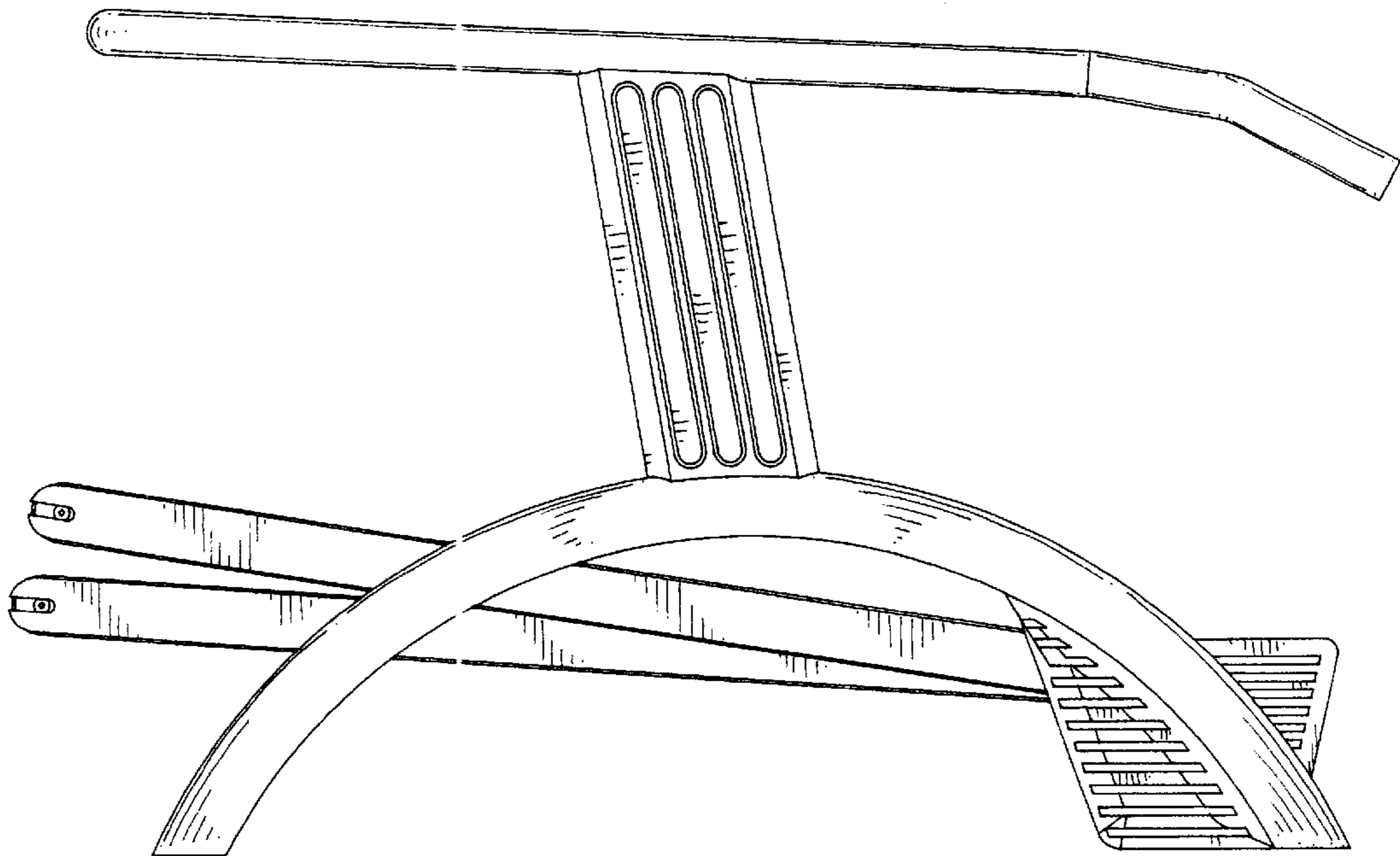


FIG. 4

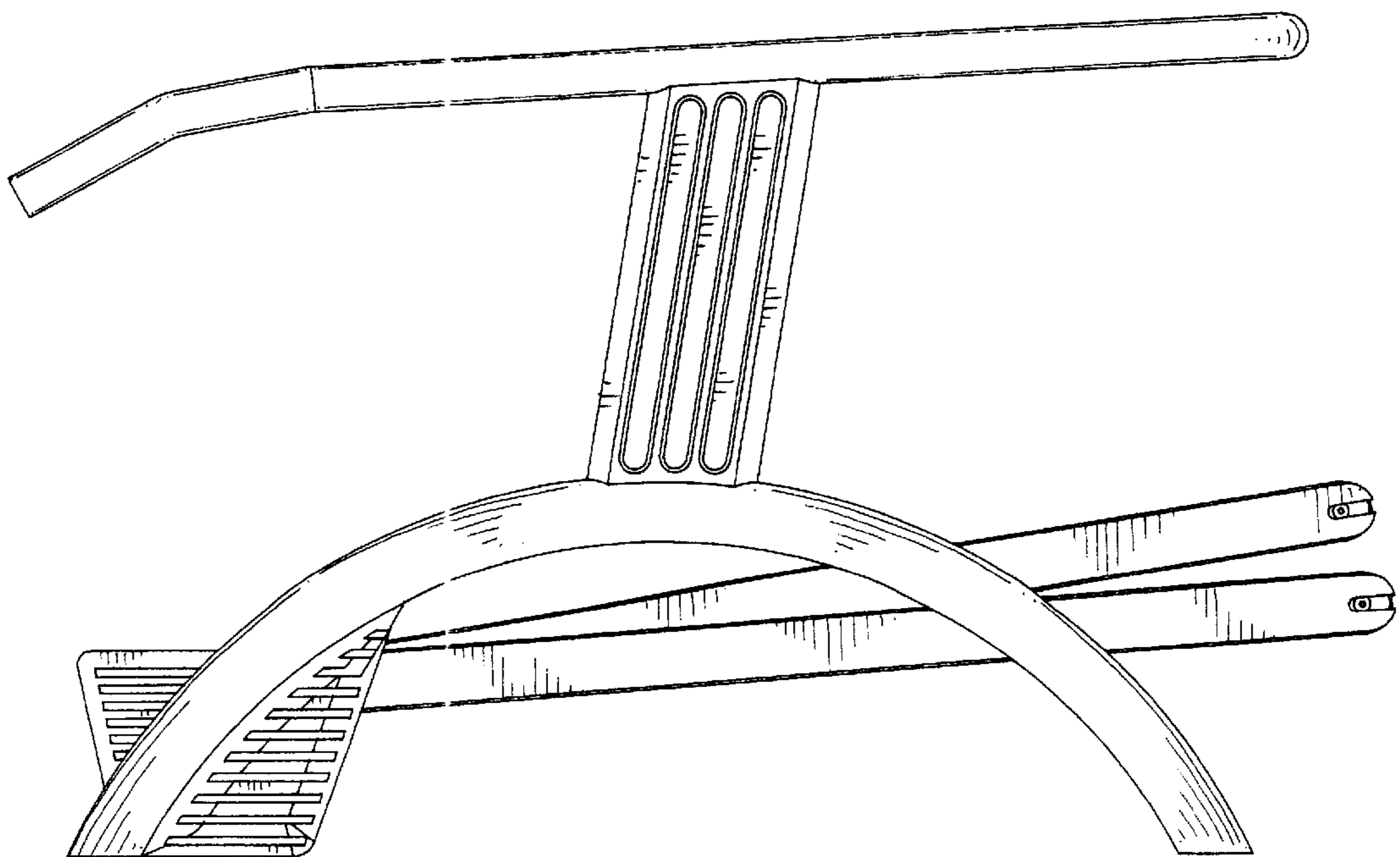


FIG. 5

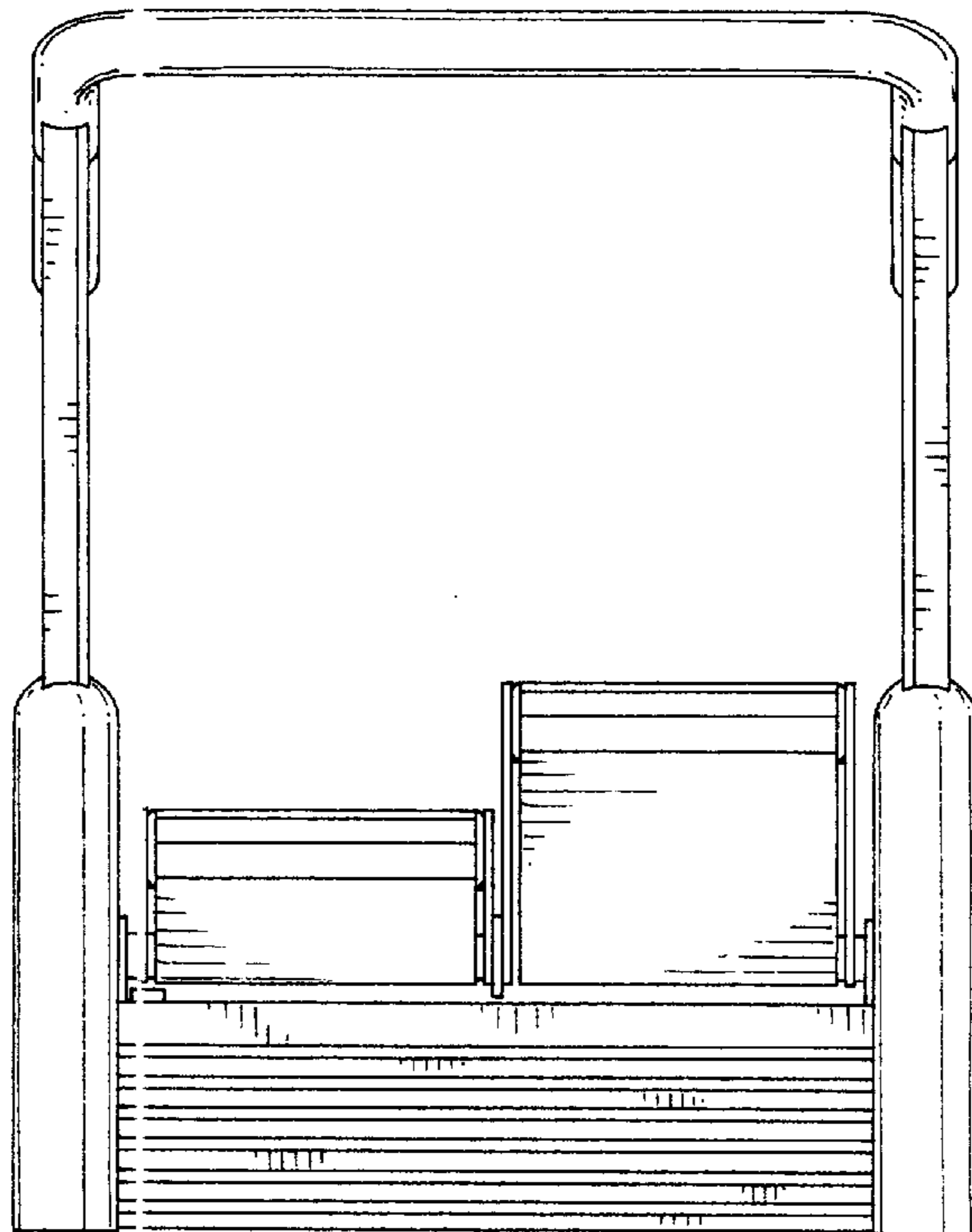


FIG. 6

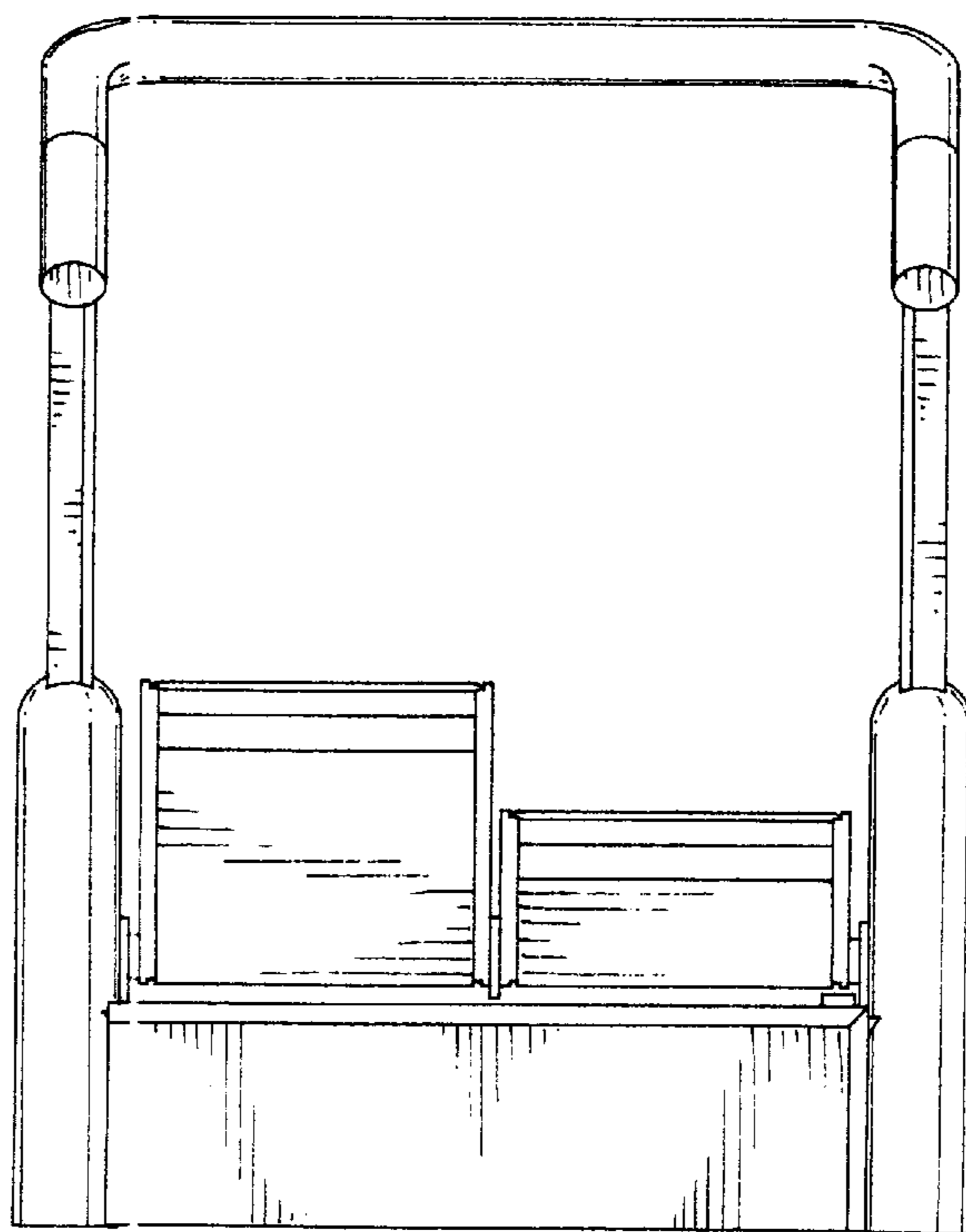


FIG. 7