

US00D406615S

**United States Patent** [19]  
**Griswold et al.**

[11] **Patent Number: Des. 406,615**  
[45] **Date of Patent: \*\*\*Mar. 9, 1999**

[54] **REEL COVER FOR SLOT MACHINE**

3,759,525 9/1973 Davis ..... 273/143 R  
4,570,934 2/1986 Smyth ..... 273/143 R  
4,700,948 10/1987 Okada ..... 273/143 R  
5,560,603 10/1996 Seelig et al. .... 463/20  
5,683,296 11/1997 Rasmussen ..... 463/20

[75] Inventors: **Chauncey W. Griswold, Reno; Don Stephan, Carson City, both of Nev.**

[73] Assignee: **International Game Technology, Reno, Nev.**

*Primary Examiner*—Sandra L. Morris  
*Attorney, Agent, or Firm*—Sheridan Ross P.C.

[\*] Notice: The term of this patent shall not extend beyond the expiration date of Pat. No. D. 404,084.

[57] **CLAIM**

The ornamental design for a reel cover for slot machine, as shown.

[\*\*] Term: **14 Years**

**DESCRIPTION**

[21] Appl. No.: **74,603**

FIG. 1 is a front elevational view of the reel cover for slot machine;  
FIG. 2 is a right elevational view of the reel cover for slot machine;  
FIG. 3 is a perspective view of the reel cover for slot machine;  
FIG. 4 is a left elevational view of the reel cover for slot machine;  
FIG. 5 is a top plan view of the reel cover for slot machine; and,  
FIG. 6 is a bottom view of the reel cover for slot machine. The dotted line showing of the slot machine and indicia are for illustrative purposes only, and forms no part of the claimed design.

[22] Filed: **Aug. 5, 1997**

[51] **LOC (6) Cl. .... 21-03**

[52] **U.S. Cl. .... D21/370**

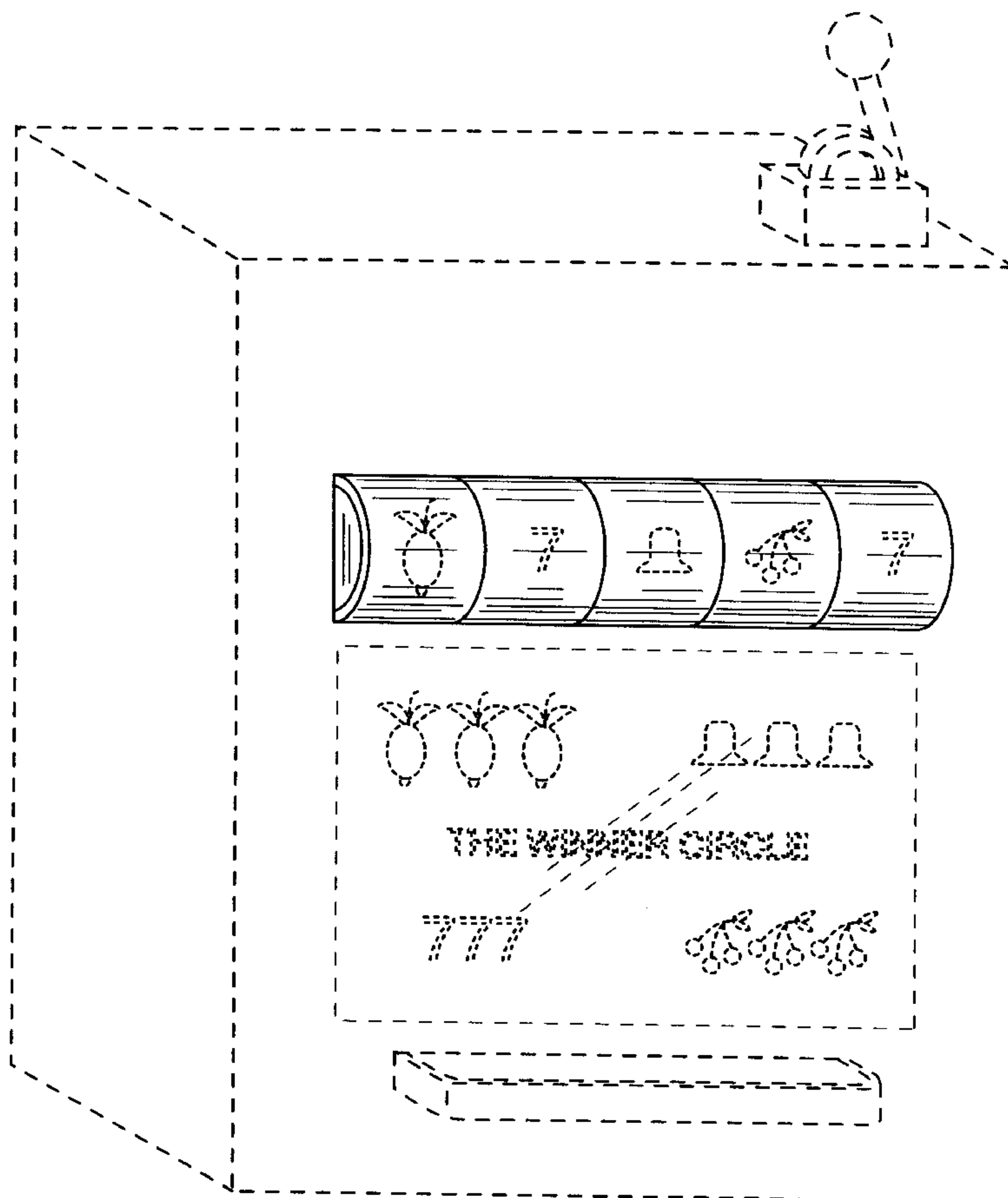
[58] **Field of Search** ..... D20/1, 2; D21/37, D21/38, 41; 273/138.1, 139, 142 R, 143 R, 145 A; 463/20

[56] **References Cited**

**U.S. PATENT DOCUMENTS**

- D. 243,375 2/1977 DiOrlo ..... D20/2
- D. 260,769 9/1981 Thomas ..... D21/38
- D. 264,485 5/1982 Kitchen ..... D21/38
- D. 340,954 11/1993 Stefan ..... D21/38

**1 Claim, 4 Drawing Sheets**



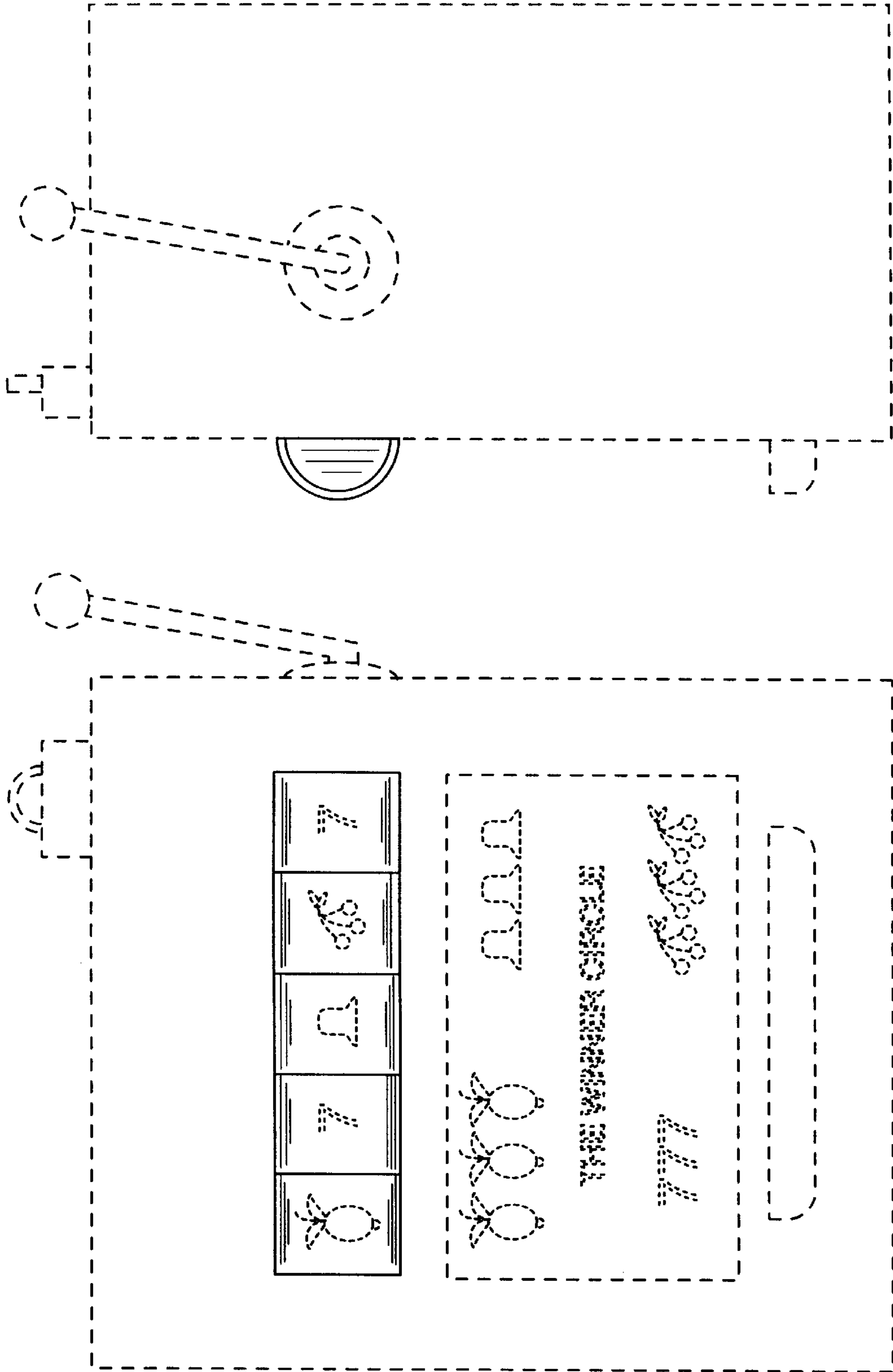


Fig. 2

Fig. 1

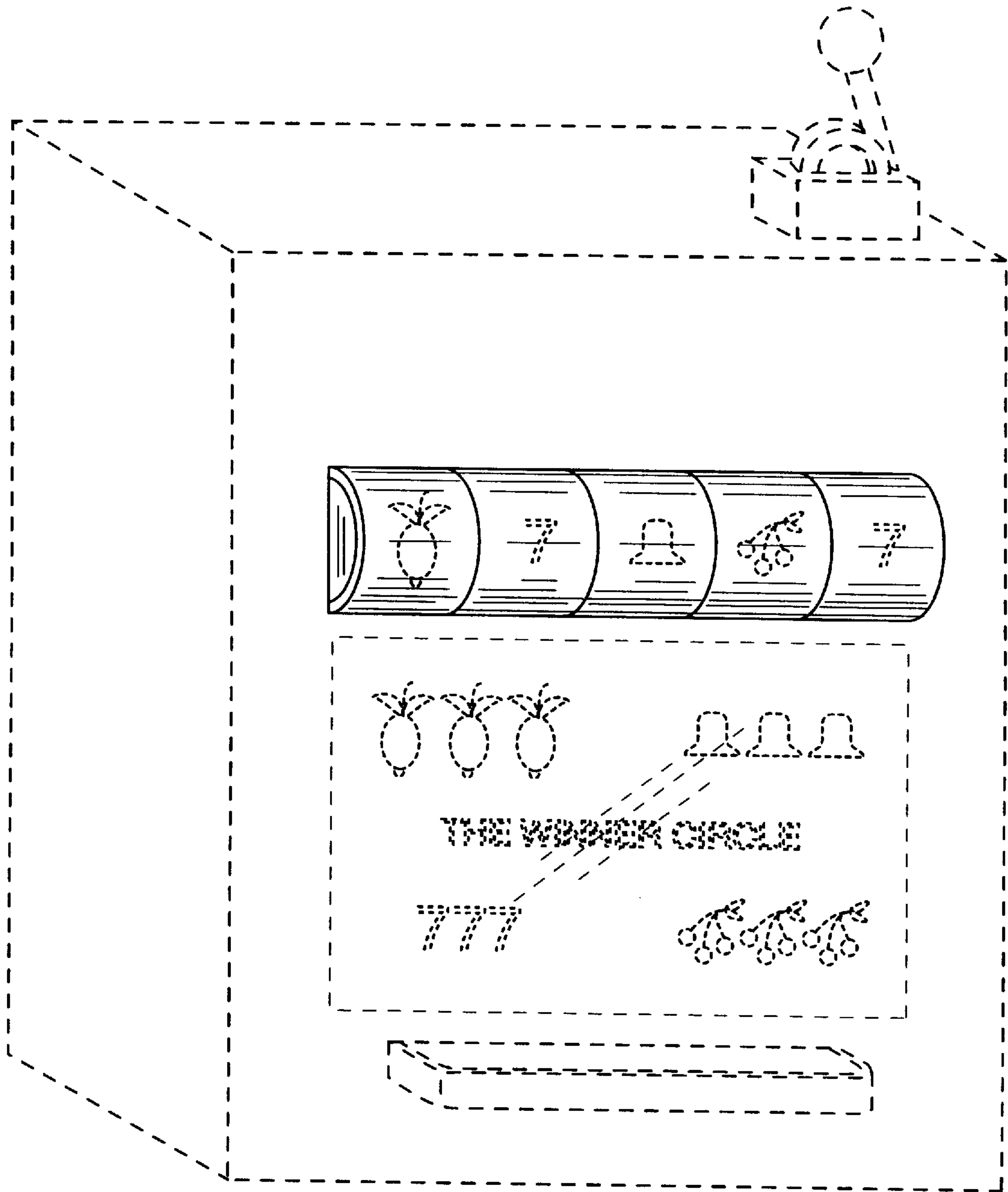


Fig. 3

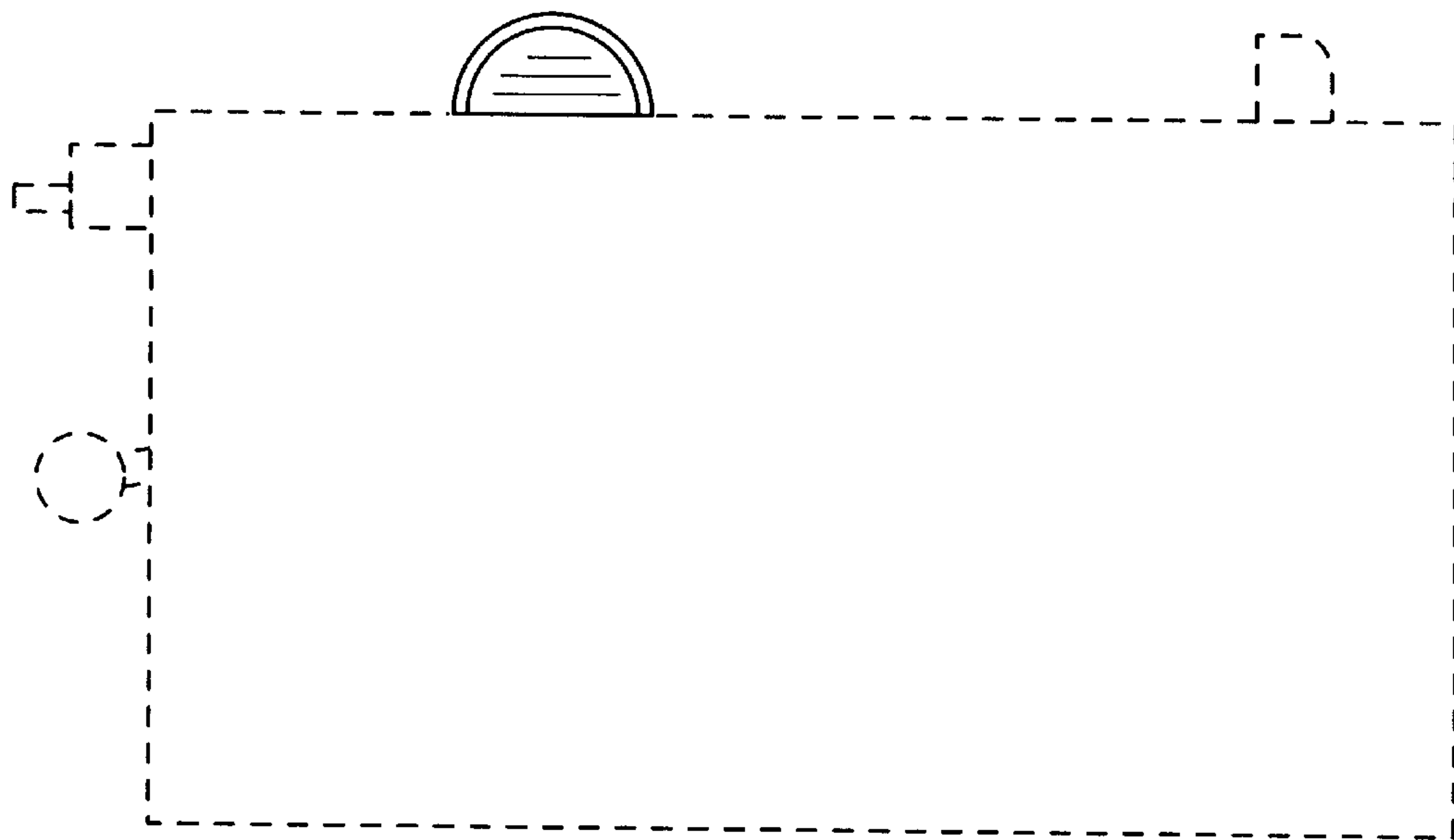


Fig. 4

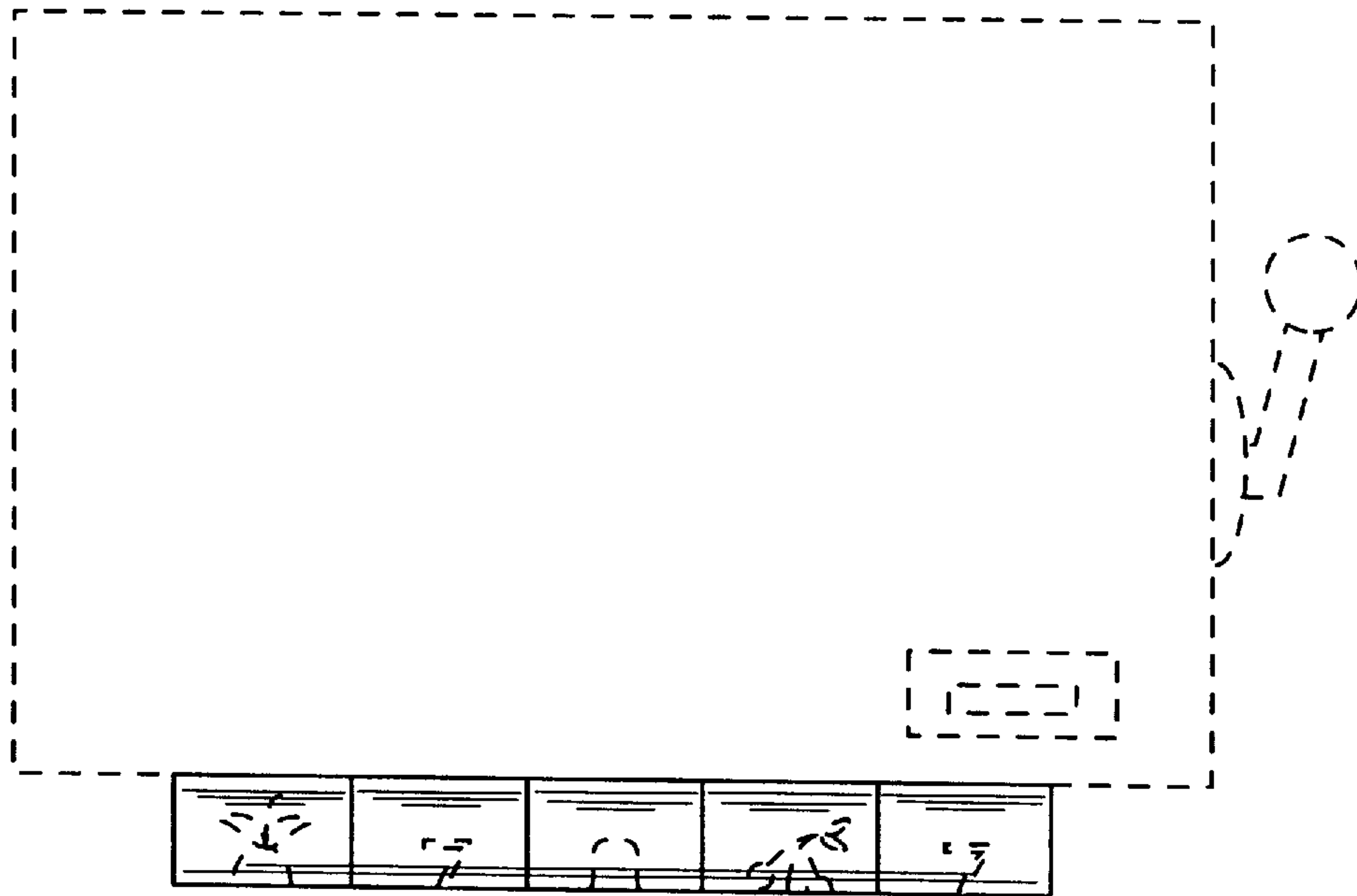


Fig. 5

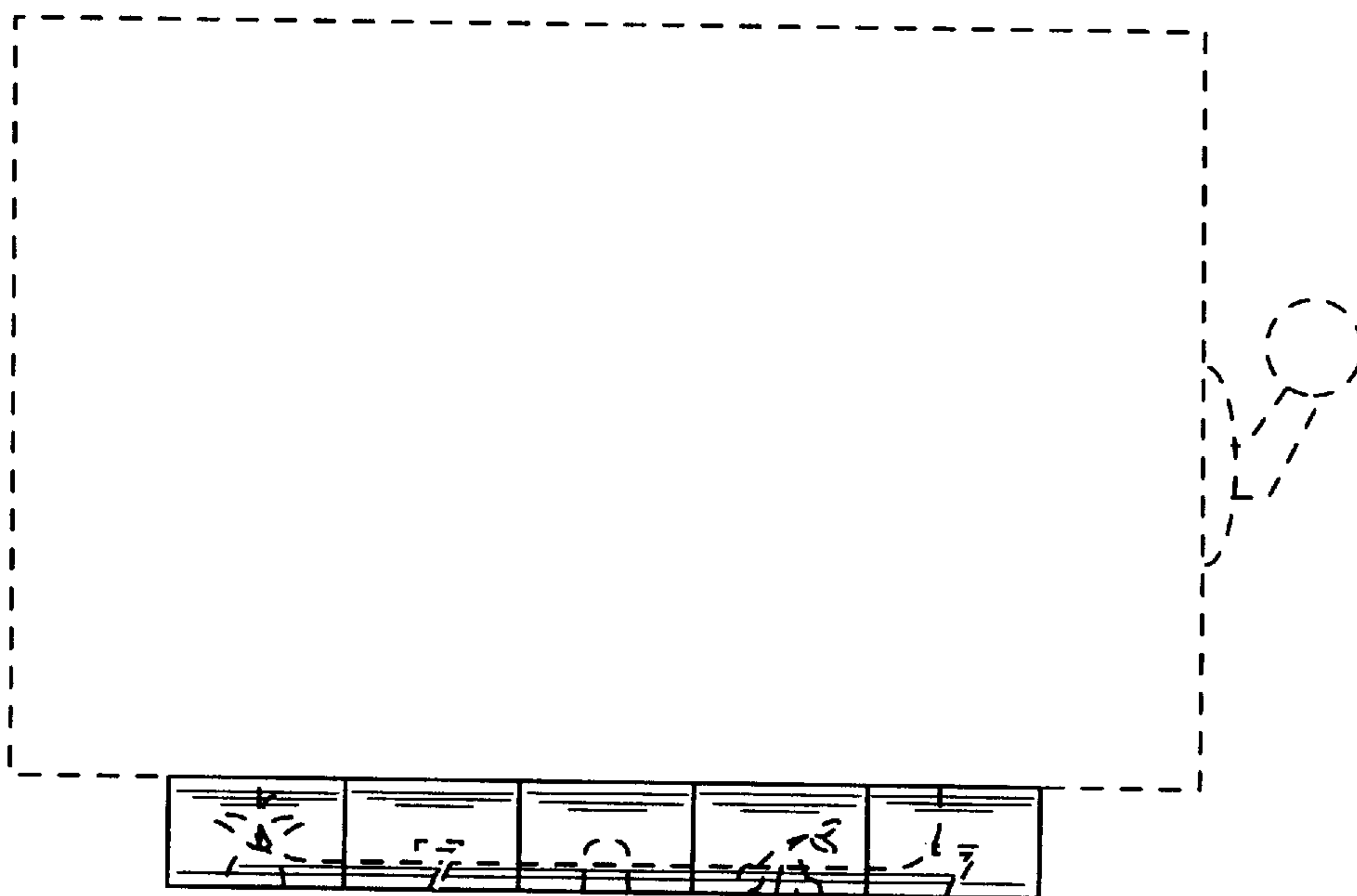


Fig. 6