



US00D406612S

United States Patent [19] Johnson

[11] **Patent Number: Des. 406,612**

[45] **Date of Patent: **Mar. 9, 1999**

[54] **GAMING MACHINE**

5,456,468 10/1995 Stringfellow et al. 463/46

[75] Inventor: **Ian Frederick Johnson**, Epping, Australia

Primary Examiner—Prabhakar G. Deshmukh
Attorney, Agent, or Firm—Friedman Siegelbaum LLP

[73] Assignee: **Aristocrat Leisure Industries Pty Ltd**, Rosebery, Australia

[57] **CLAIM**

The ornamental design for a gaming machine, as shown and described.

[**] Term: **14 Years**

DESCRIPTION

[21] Appl. No.: **82,066**

FIG. 1 is a perspective view of a first embodiment of a gaming machine according to the invention;
FIG. 2 is a plan view thereof from above;
FIG. 3 is a front view thereof;
FIG. 4 is a right side view thereof;
FIG. 5 is a left side view thereof;
FIG. 6 is a rear view thereof;
FIG. 7 is inverted plan view thereof;
FIG. 8 is perspective view of a second embodiment of the present invention;
FIG. 9 is a plan view from above of the second embodiment of the present invention;
FIG. 10 is a front view of the second embodiment;
FIG. 11 is a side elevation from the right side of the second embodiment;
FIG. 12 is a side elevation from the left side of the second embodiment;
FIG. 13 is a rear view of the second embodiment; and,
FIG. 14 is an inverted plan view of the second embodiment.

[22] Filed: **Jan. 14, 1998**

[30] **Foreign Application Priority Data**

Jul. 21, 1997 [AU] Australia 2297/1997
Jul. 21, 1997 [AU] Australia 2298/1997

[51] **LOC (6) Cl.** **21-01**

[52] **U.S. Cl.** **D21/327**

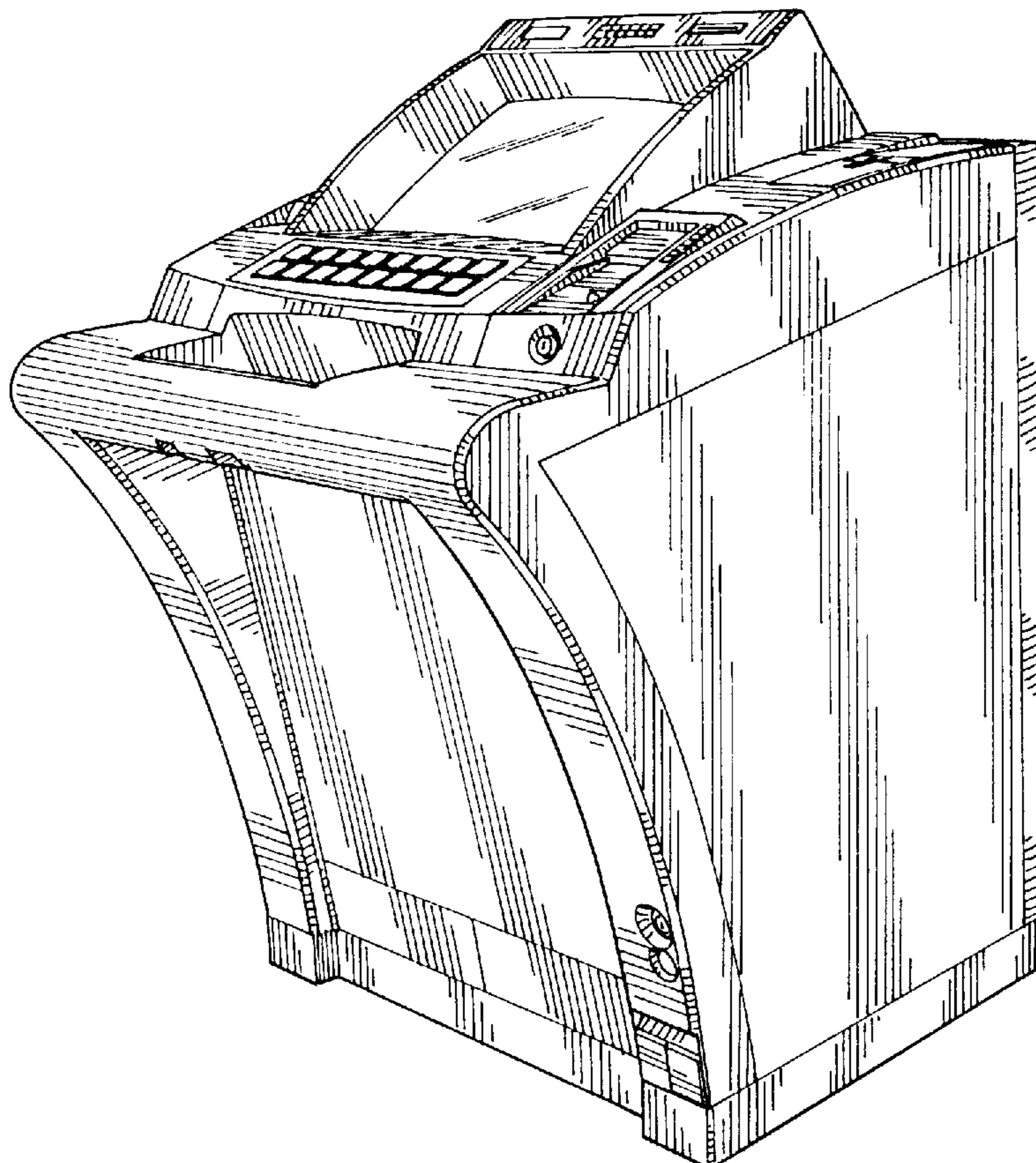
[58] **Field of Search** D21/1, 13, 48,
D21/324, 325, 329, 333; 273/148 B; 463/1,
29-35, 46, 47; 248/917, 919, 920; 312/7.2,
223.1, 223.2, 223.3

[56] **References Cited**

U.S. PATENT DOCUMENTS

D. 363,090 10/1995 Chung-Po D21/327
D. 374,895 10/1996 Mochizuki D21/327
D. 382,915 8/1997 Yang D21/327
4,960,117 10/1990 Moncrief et al. 463/46

1 Claim, 8 Drawing Sheets



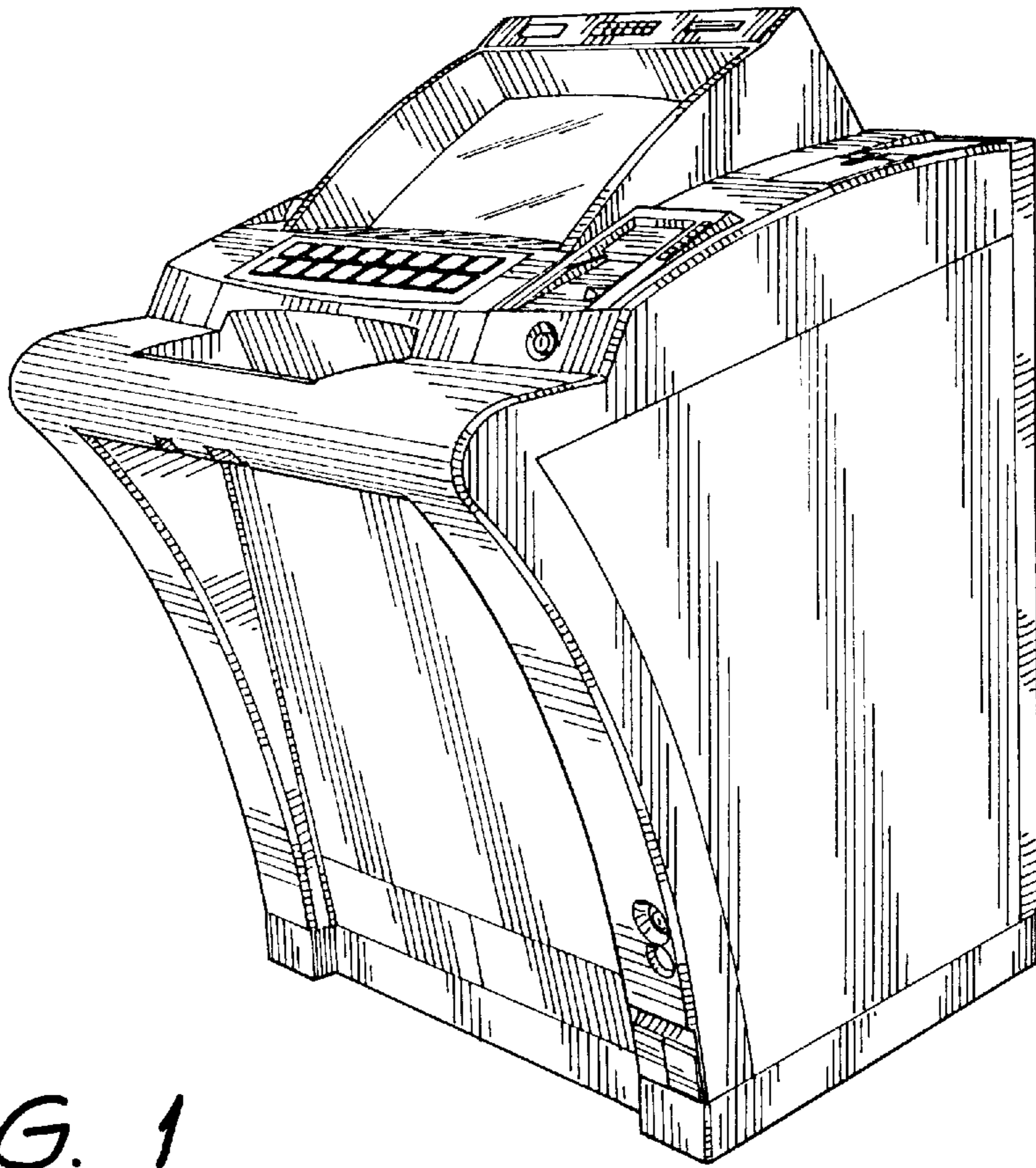


FIG. 1

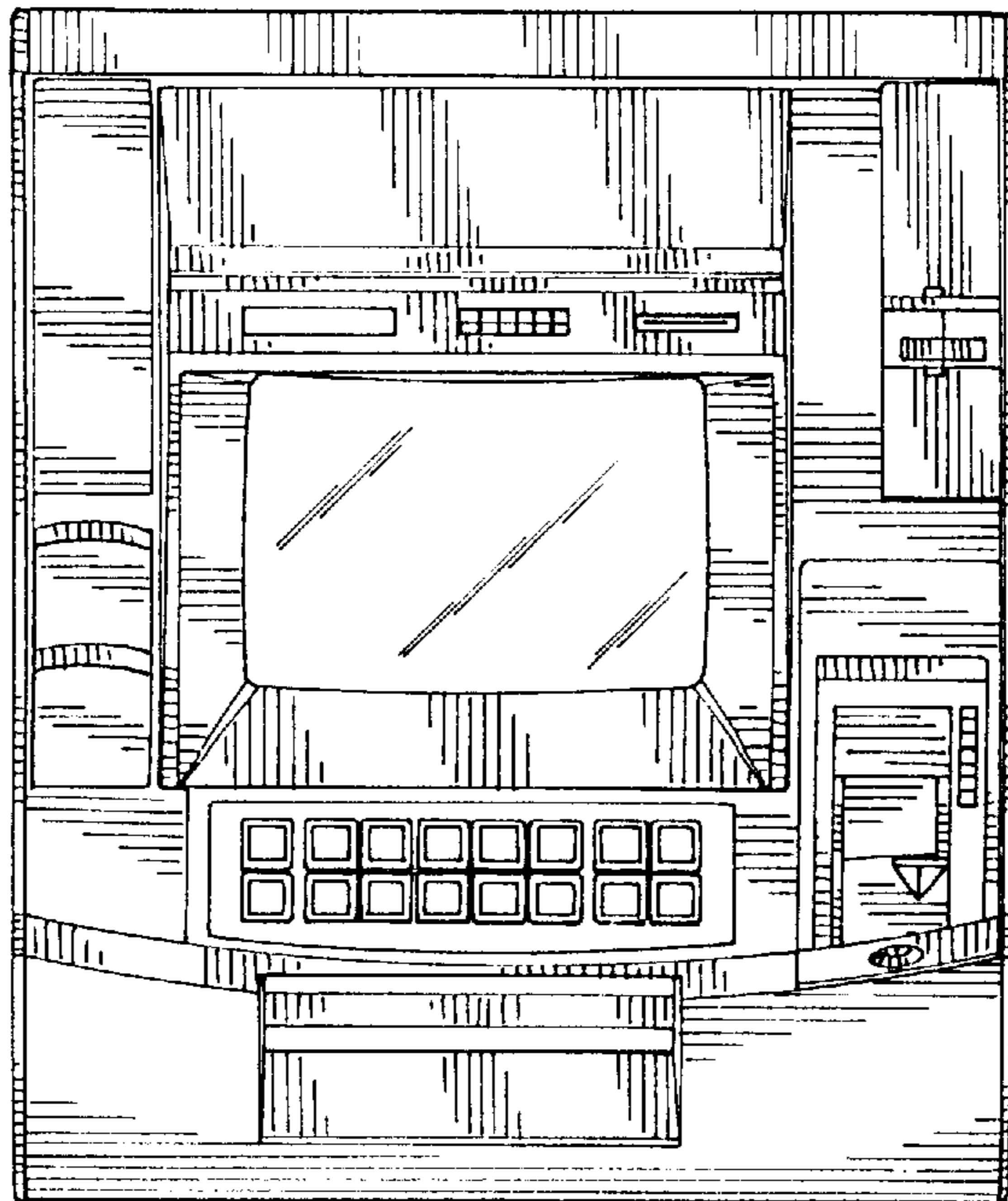


FIG. 2

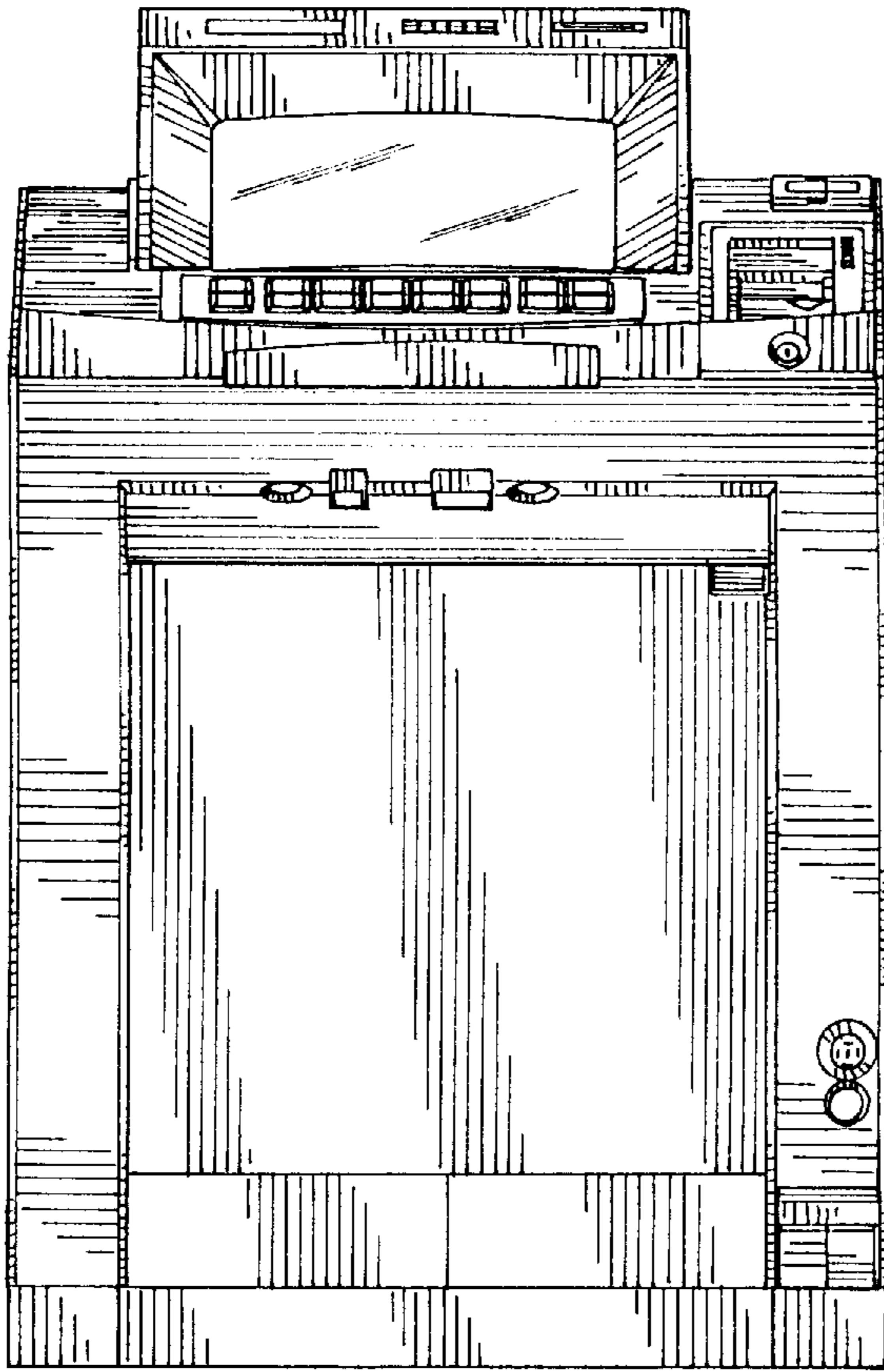


FIG. 3

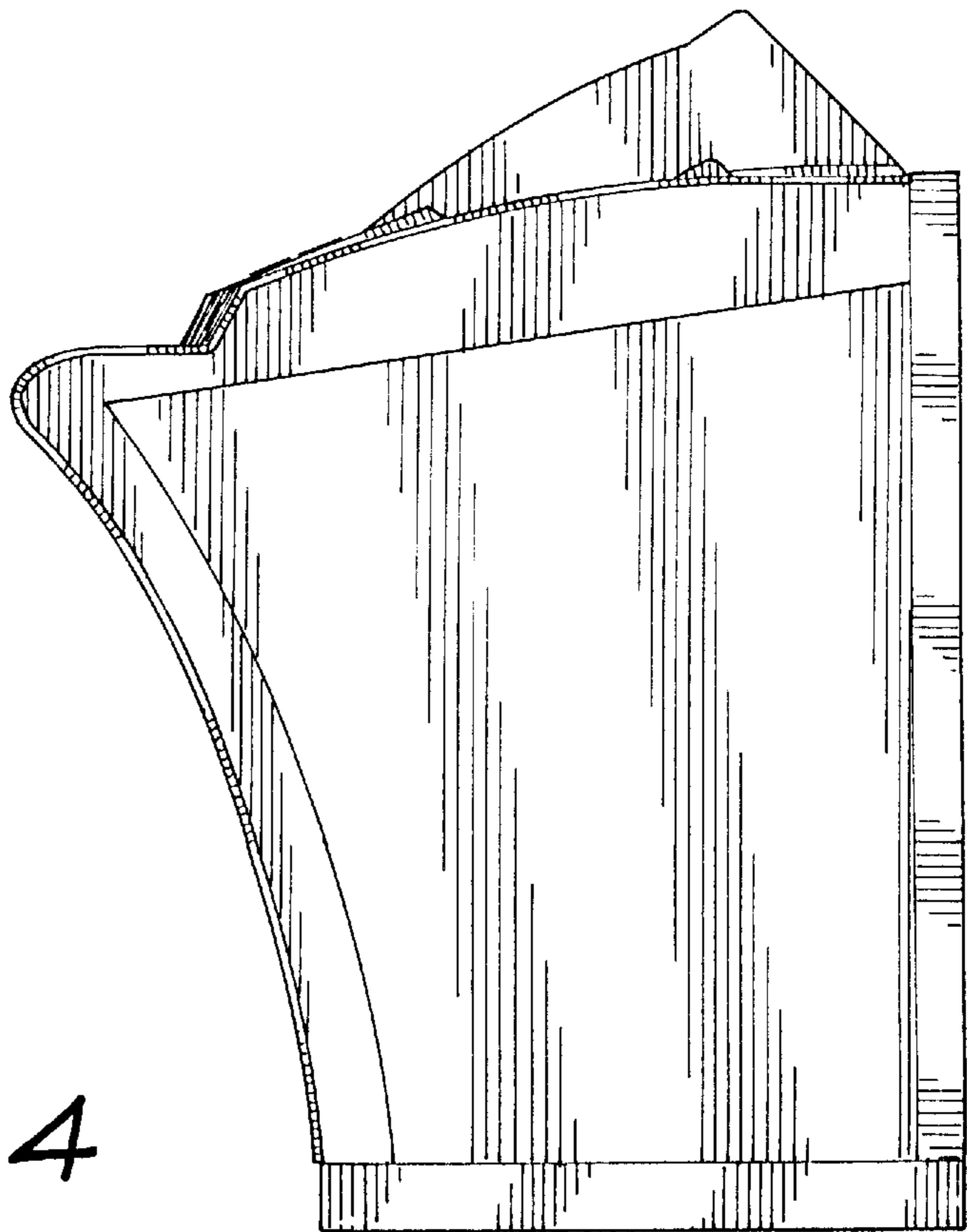


FIG. 4

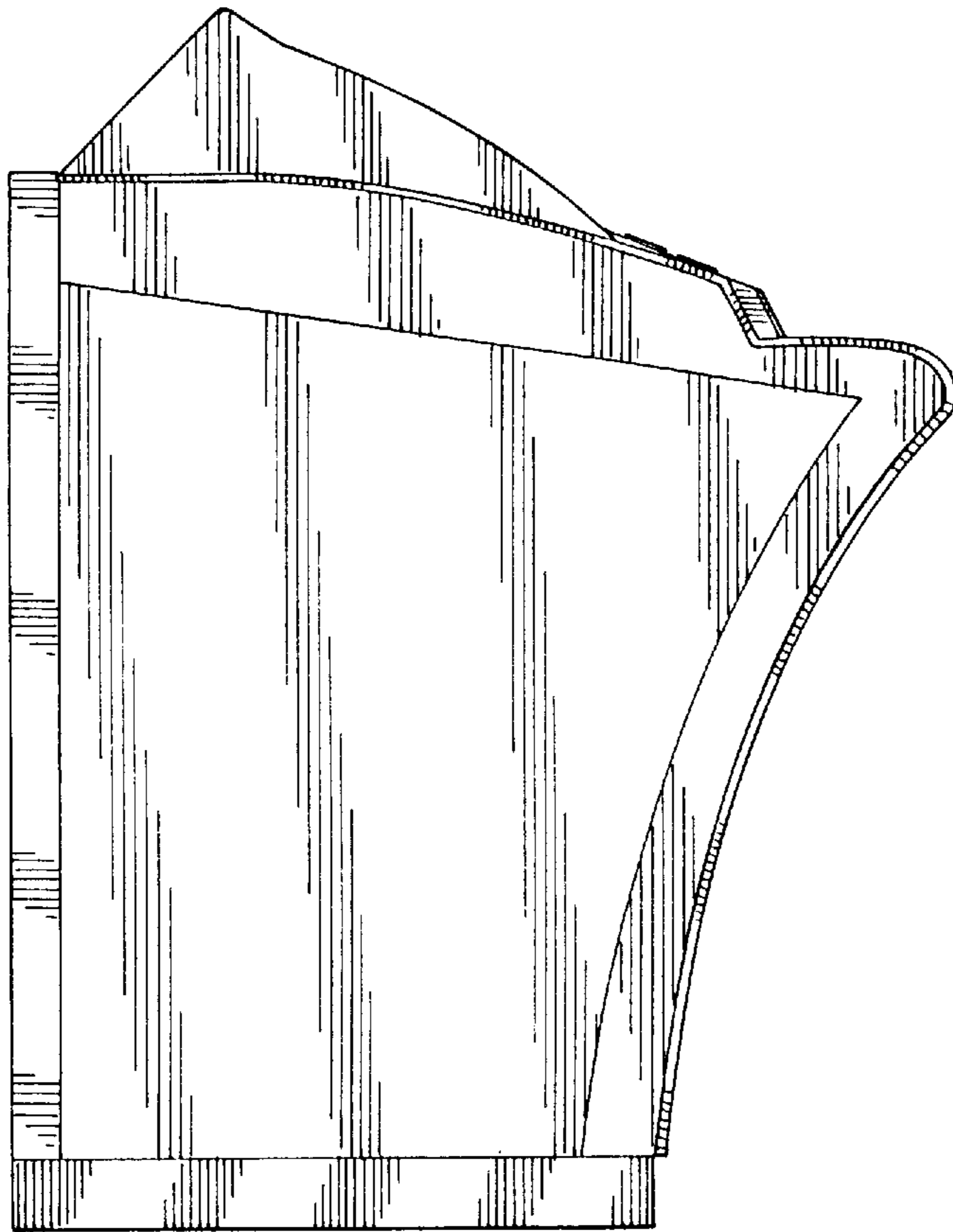


FIG. 5

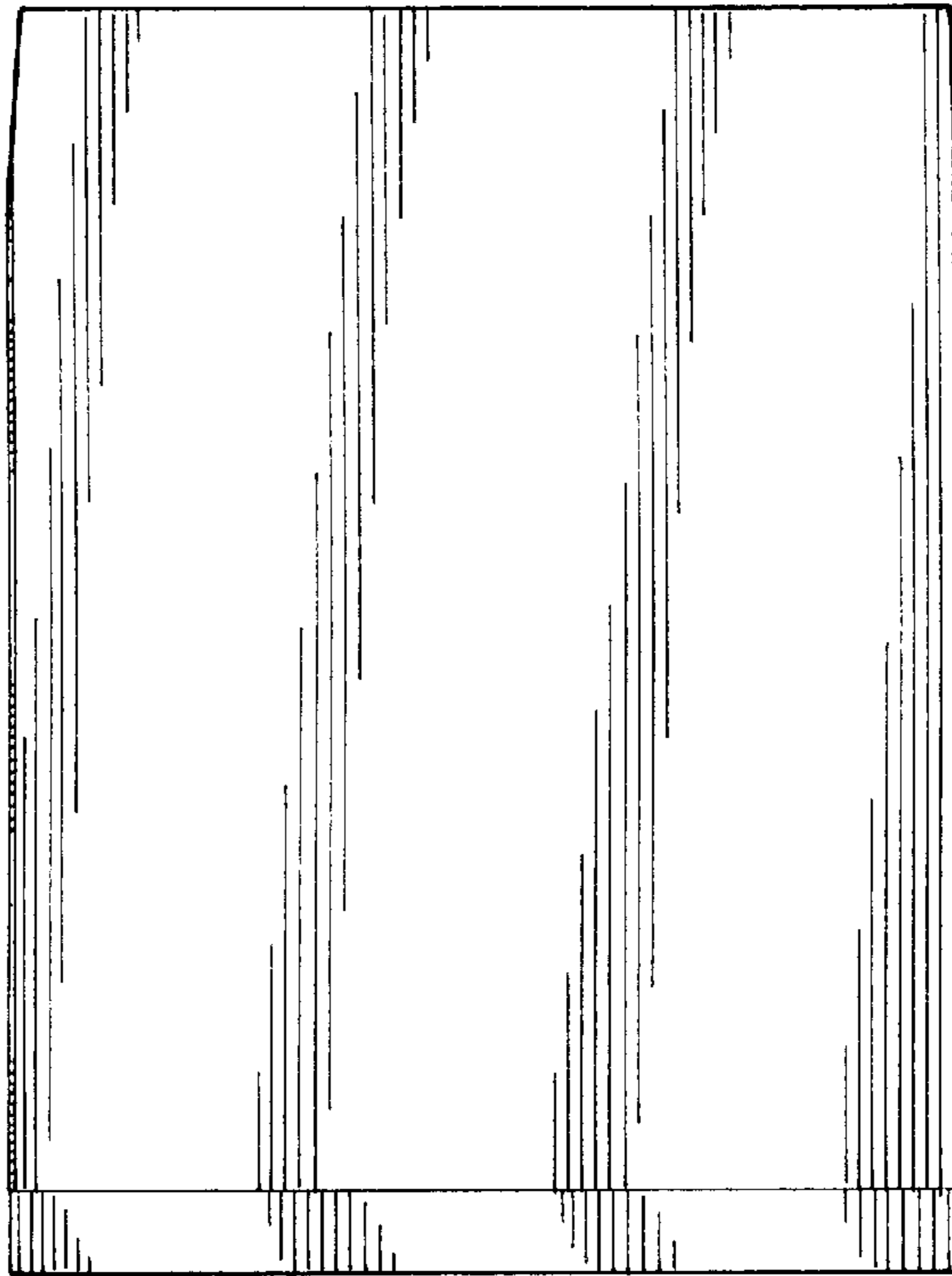


FIG. 6

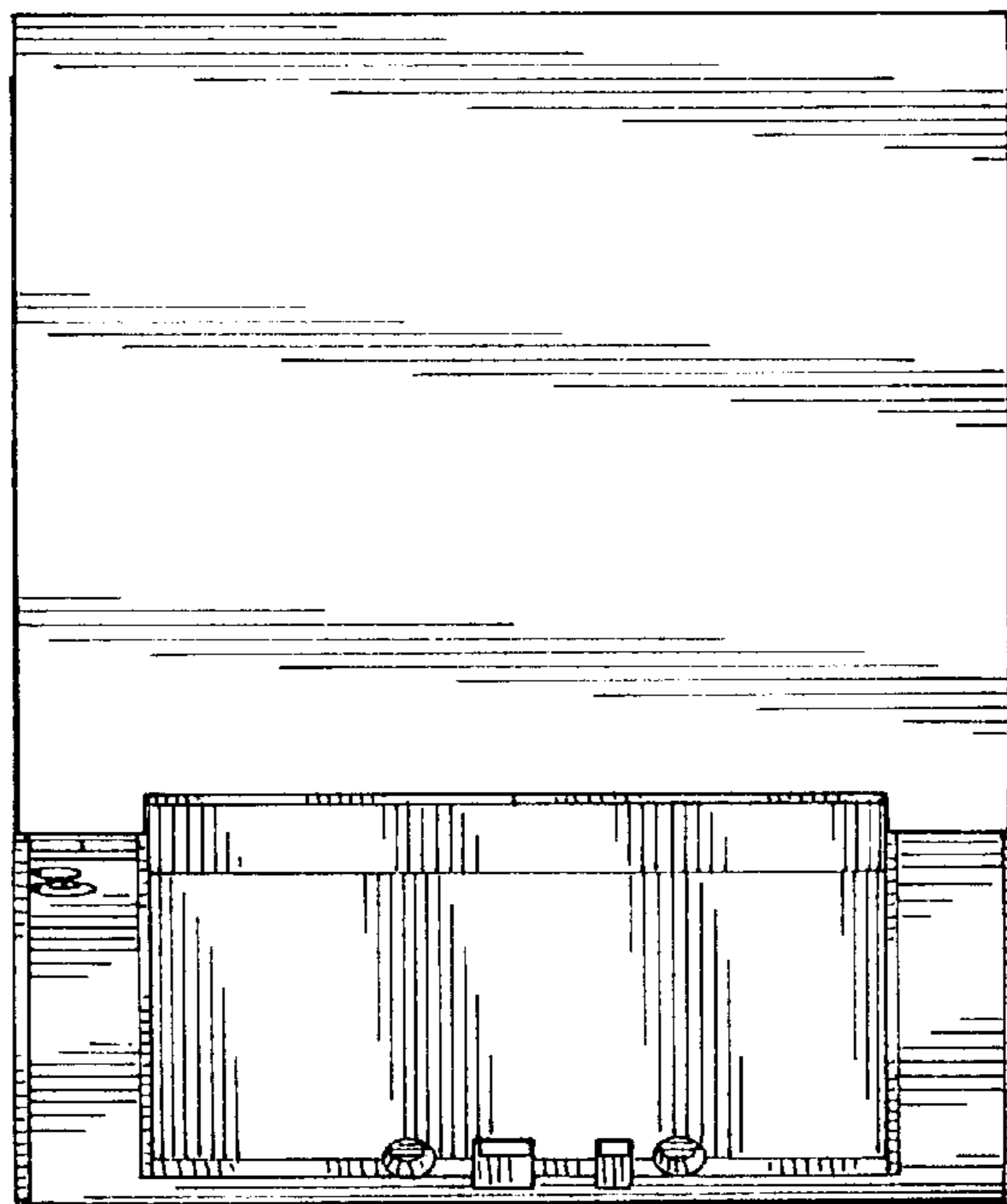


FIG. 7

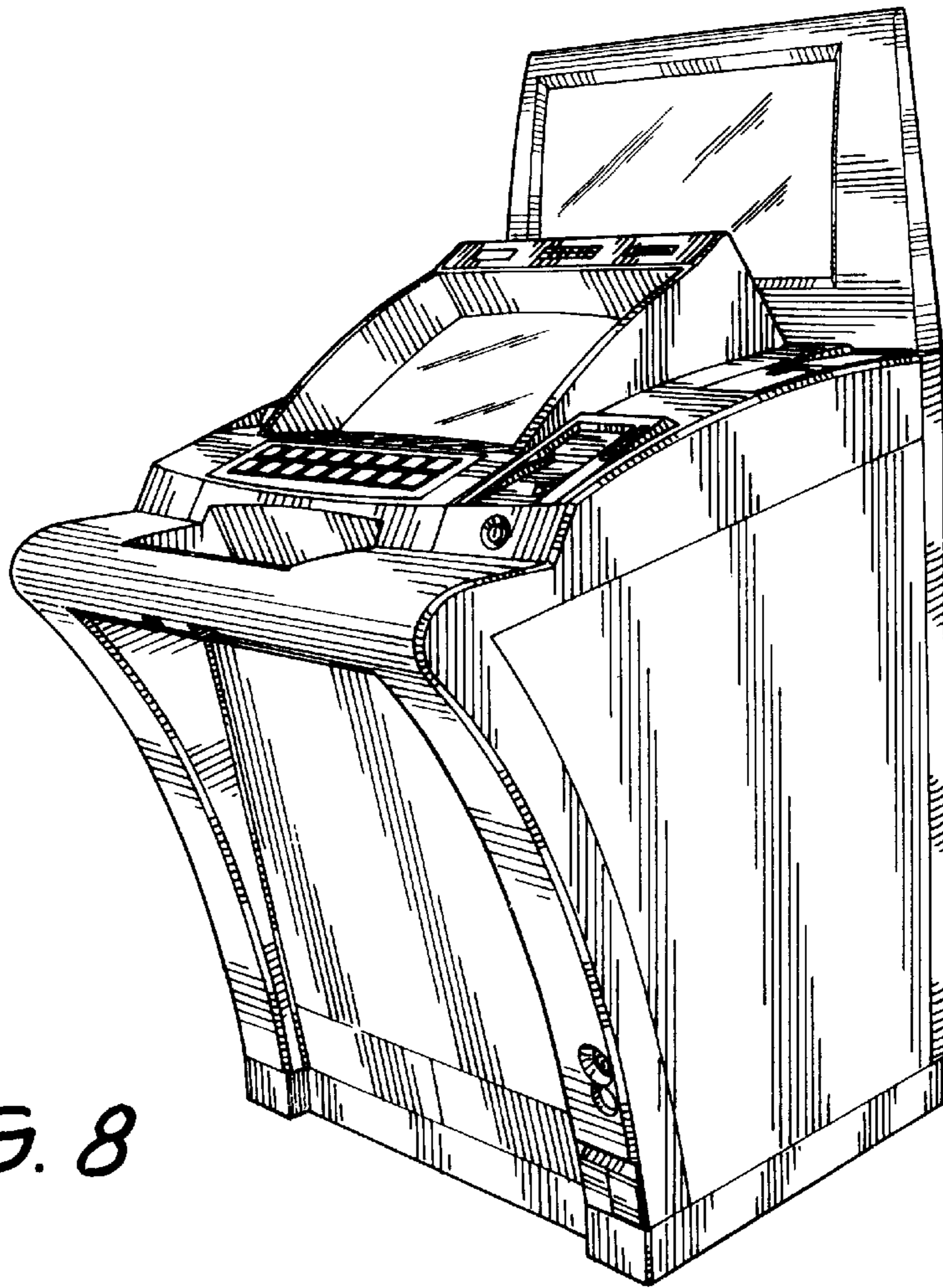


FIG. 8

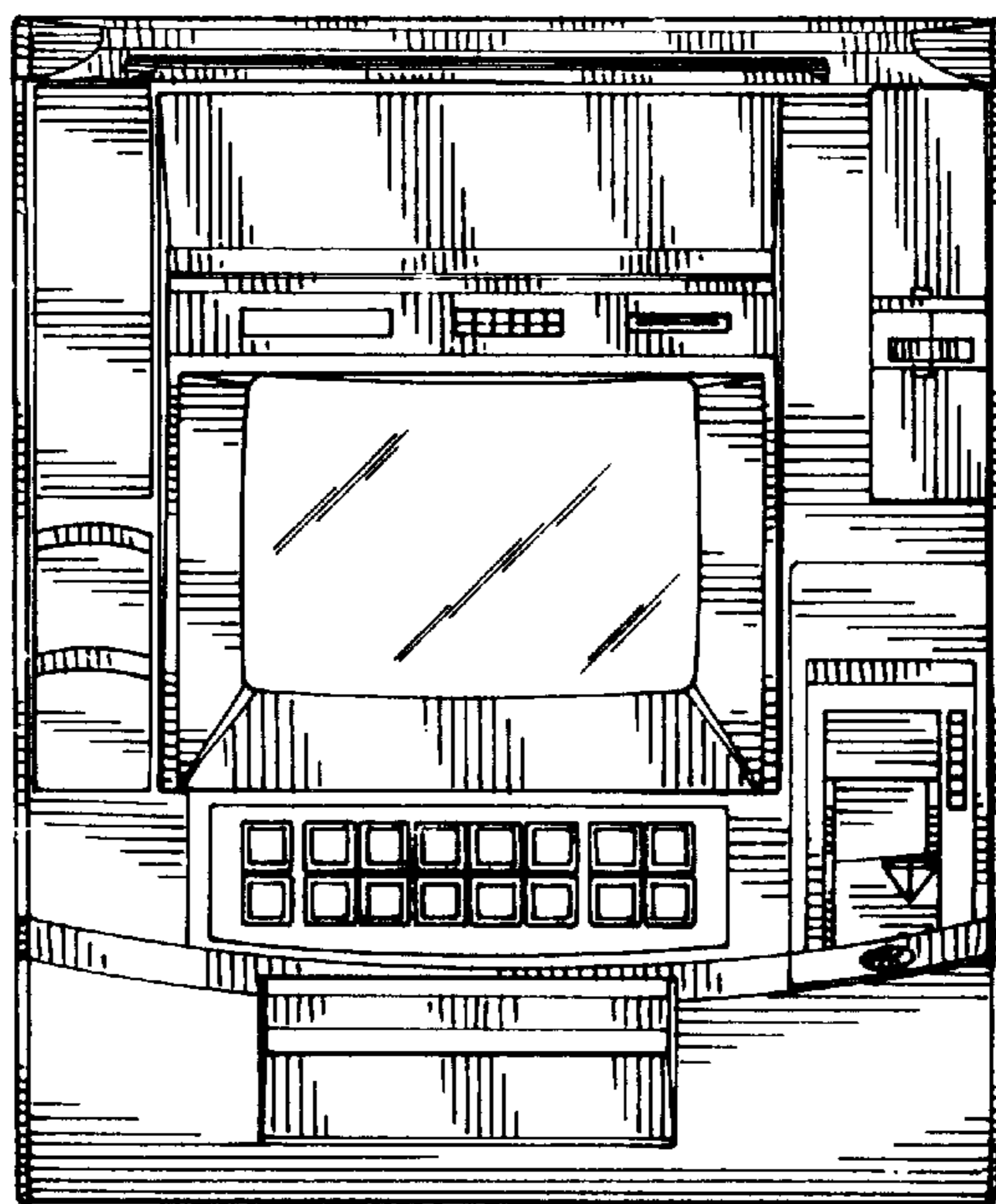


FIG. 9

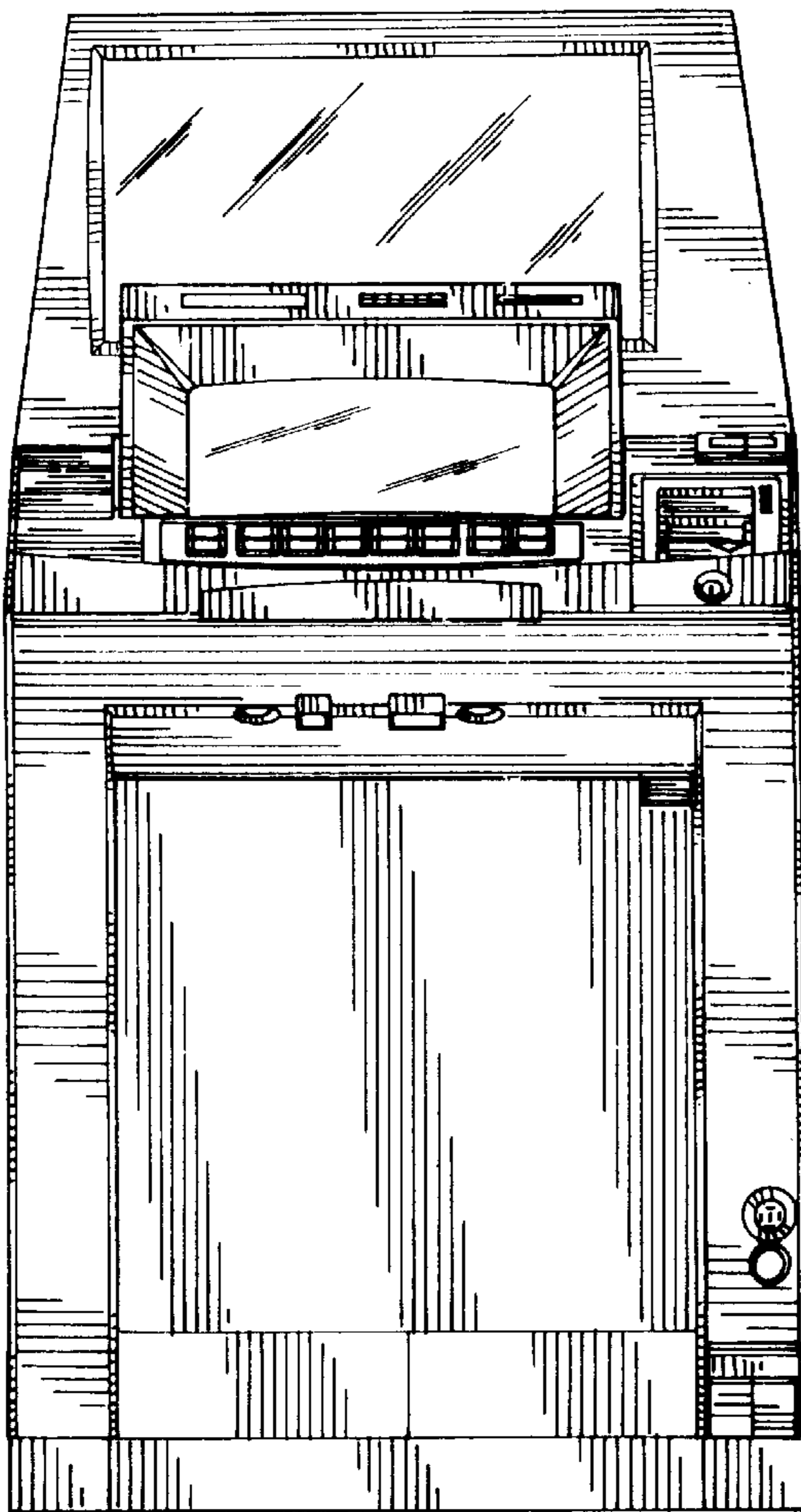


FIG. 10

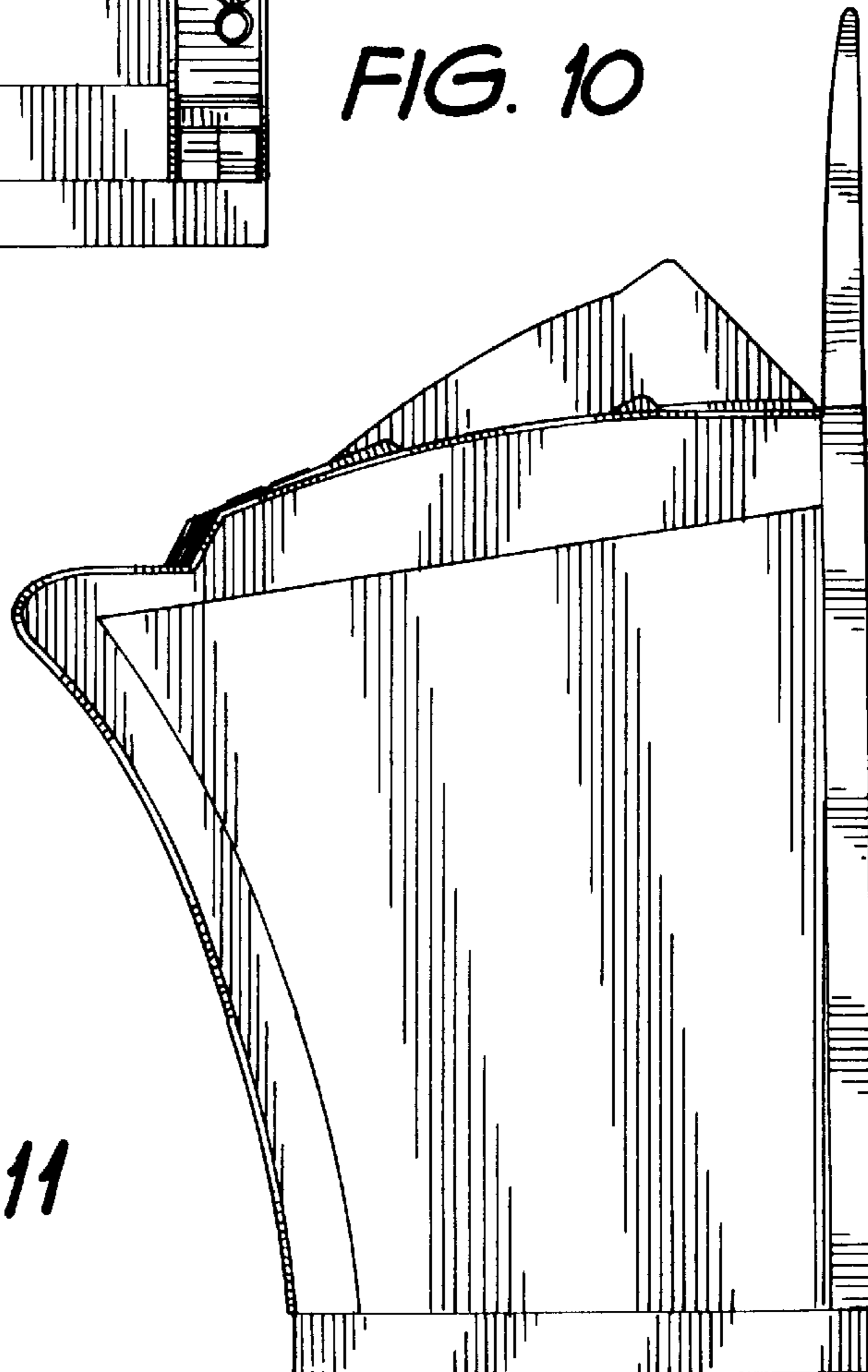


FIG. 11

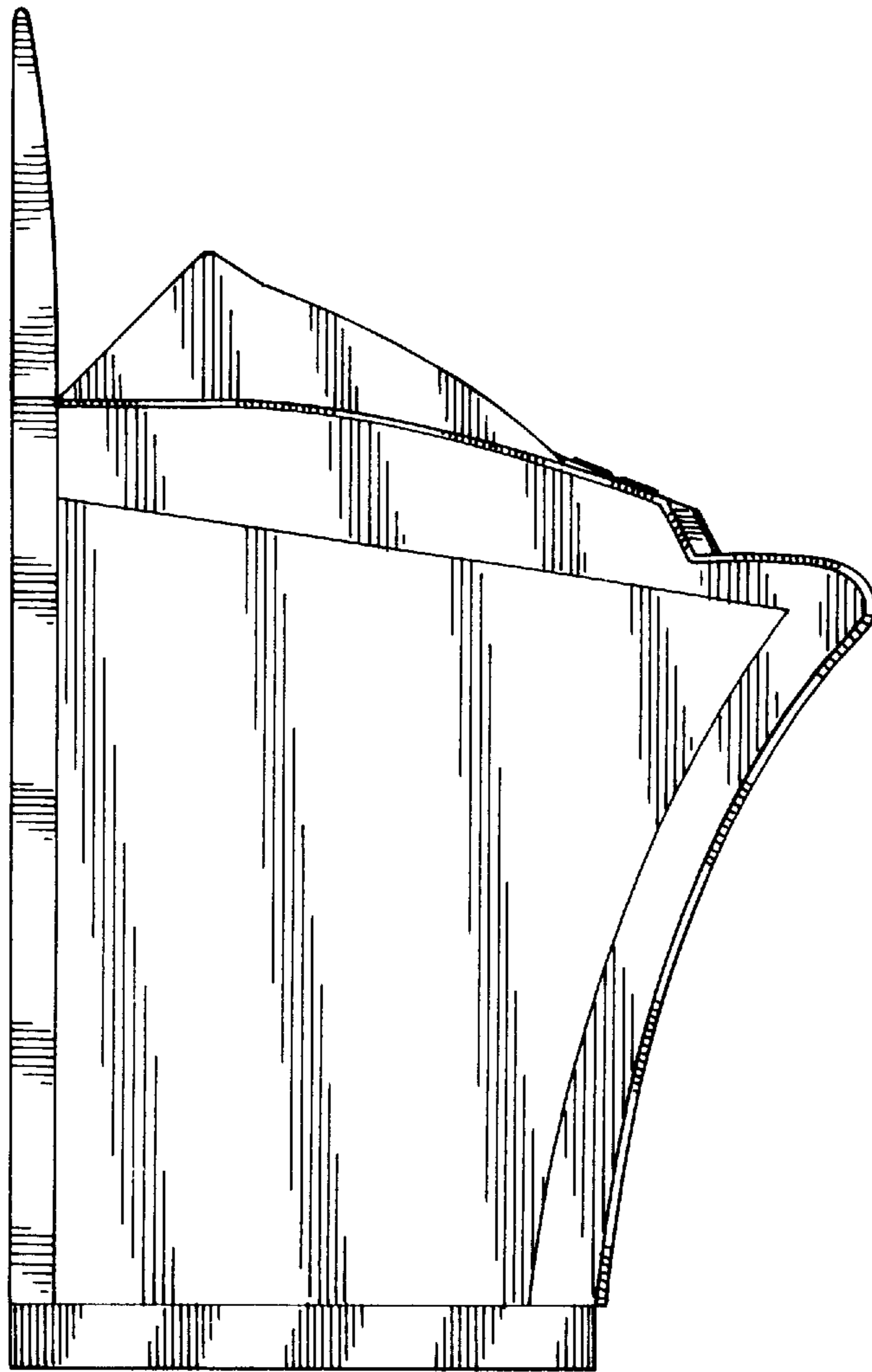


FIG. 12

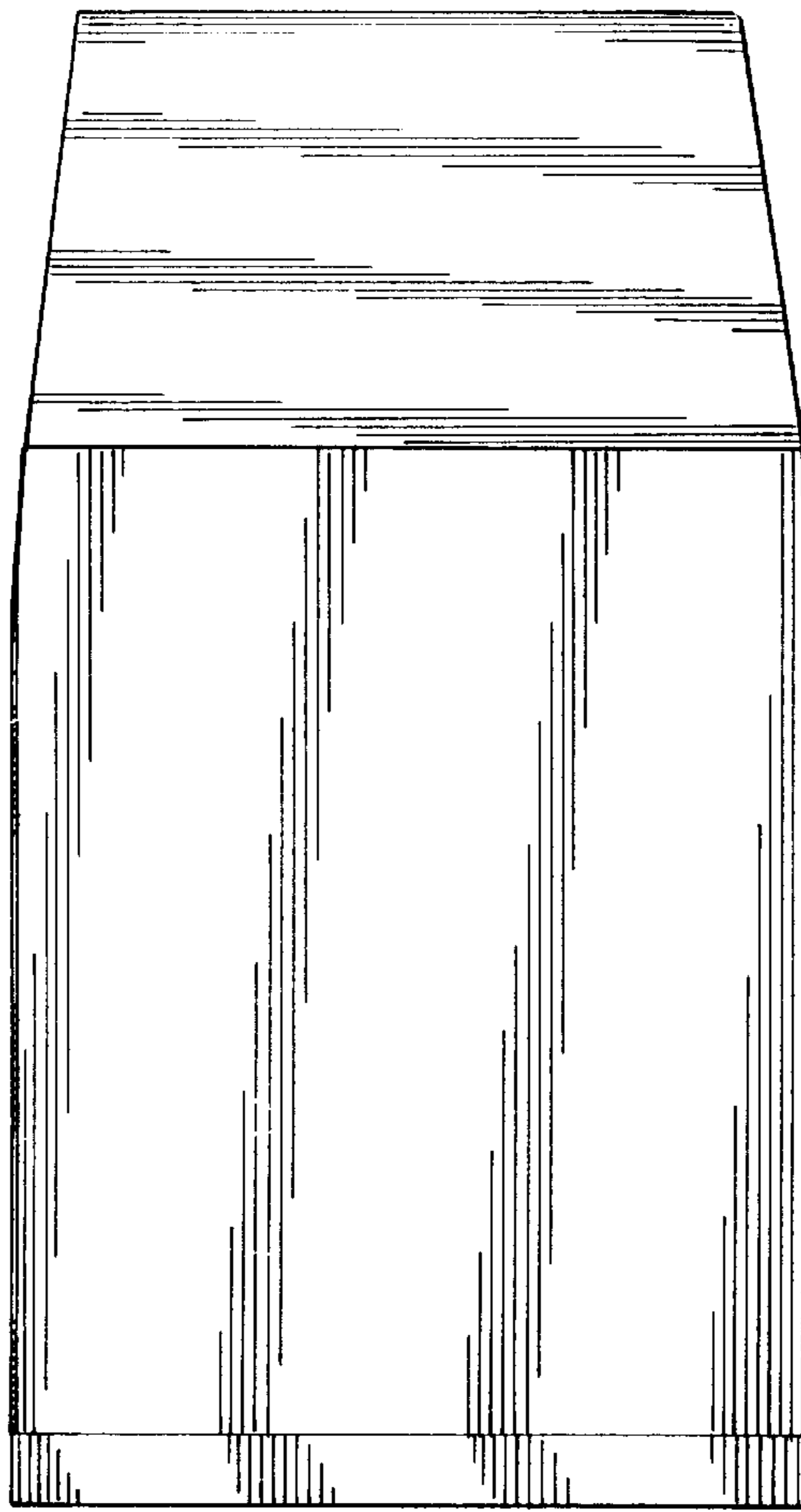


FIG. 13

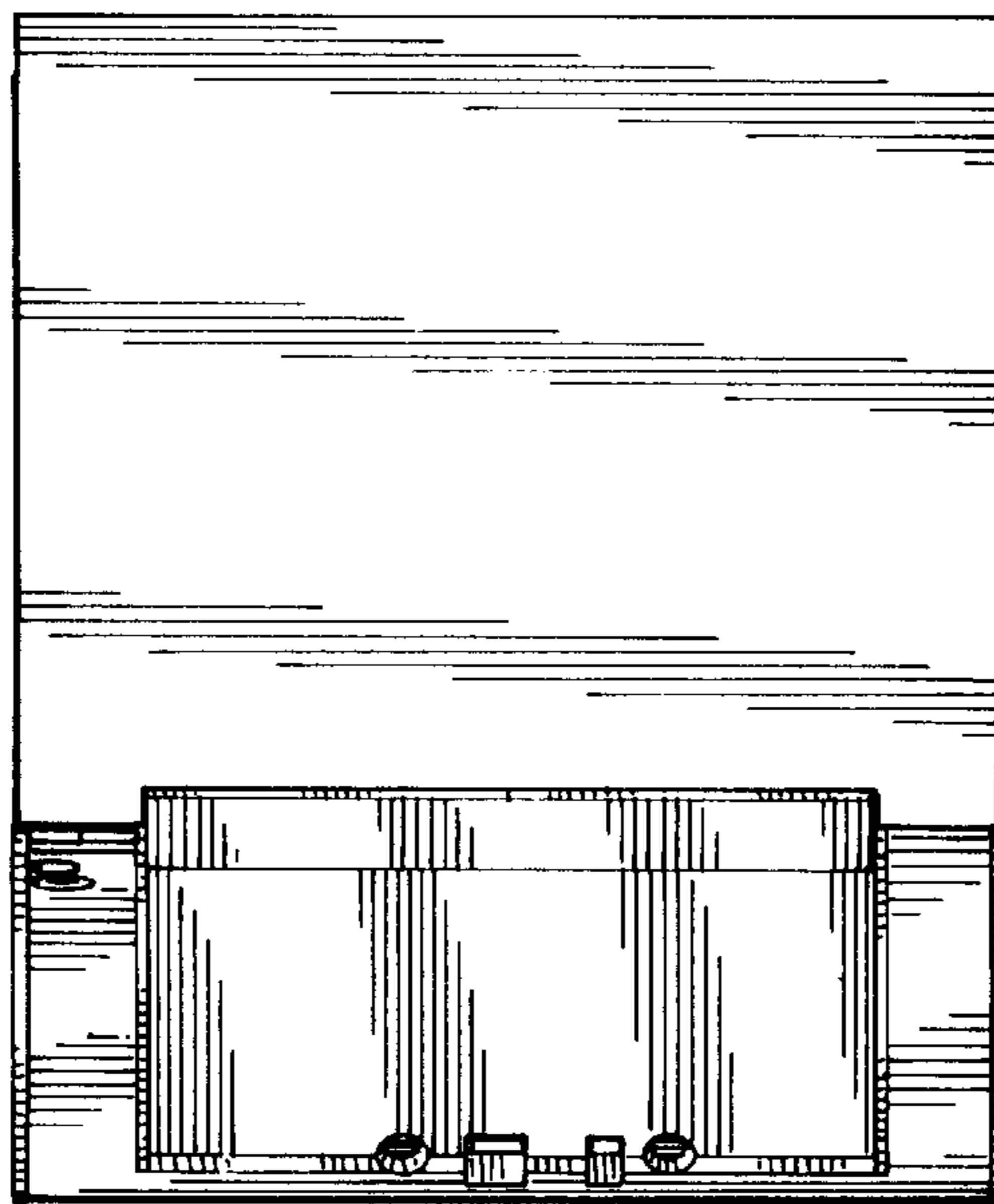


FIG. 14