

US00D406610S

United States Patent [19]

Mitchell et al.

[11] **Patent Number: Des. 406,610**

[45] **Date of Patent: **Mar. 9, 1999**

[54] **MARKER FOR GARMENT HANGER**

3,535,808 10/1970 Morrish 40/322
4,281,469 8/1981 Feibelman 40/651

[75] Inventors: **Donald Claude Mitchell**, Picnic Point;
George Millar Robertson, Old
Toongabbie, both of Australia

Primary Examiner—Susan J. Lucas
Assistant Examiner—Jennifer Rivard
Attorney, Agent, or Firm—Collier, Shannon, Rill & Scott,
PLLC

[73] Assignee: **Rainsfords Pty, Limited**, Kingsgrove,
Australia

[**] Term: **14 Years**

[57] CLAIM

[21] Appl. No.: **75,185**

The ornamental design for a marker for garment hanger, as shown and described.

[22] Filed: **Aug. 22, 1997**

DESCRIPTION

[30] Foreign Application Priority Data

Feb. 24, 1997 [AU] Australia 670/1997

FIG. 1 is a perspective view showing the front, top, and left side of the marker for garment hanger;

[51] **LOC (6) Cl.** **19-08**

FIG. 2 is a front elevation view thereof;

[52] **U.S. Cl.** **D20/42; D20/22**

FIG. 3 is a rear elevation view thereof;

[58] **Field of Search** D20/10, 42, 43,
D20/40, 19, 44; 40/658, 642.02, 641, 653,
661.04, 299, 631, 322, 651

FIG. 4 is a bottom plan view thereof; and,

FIG. 5 is a left side elevation view thereof.

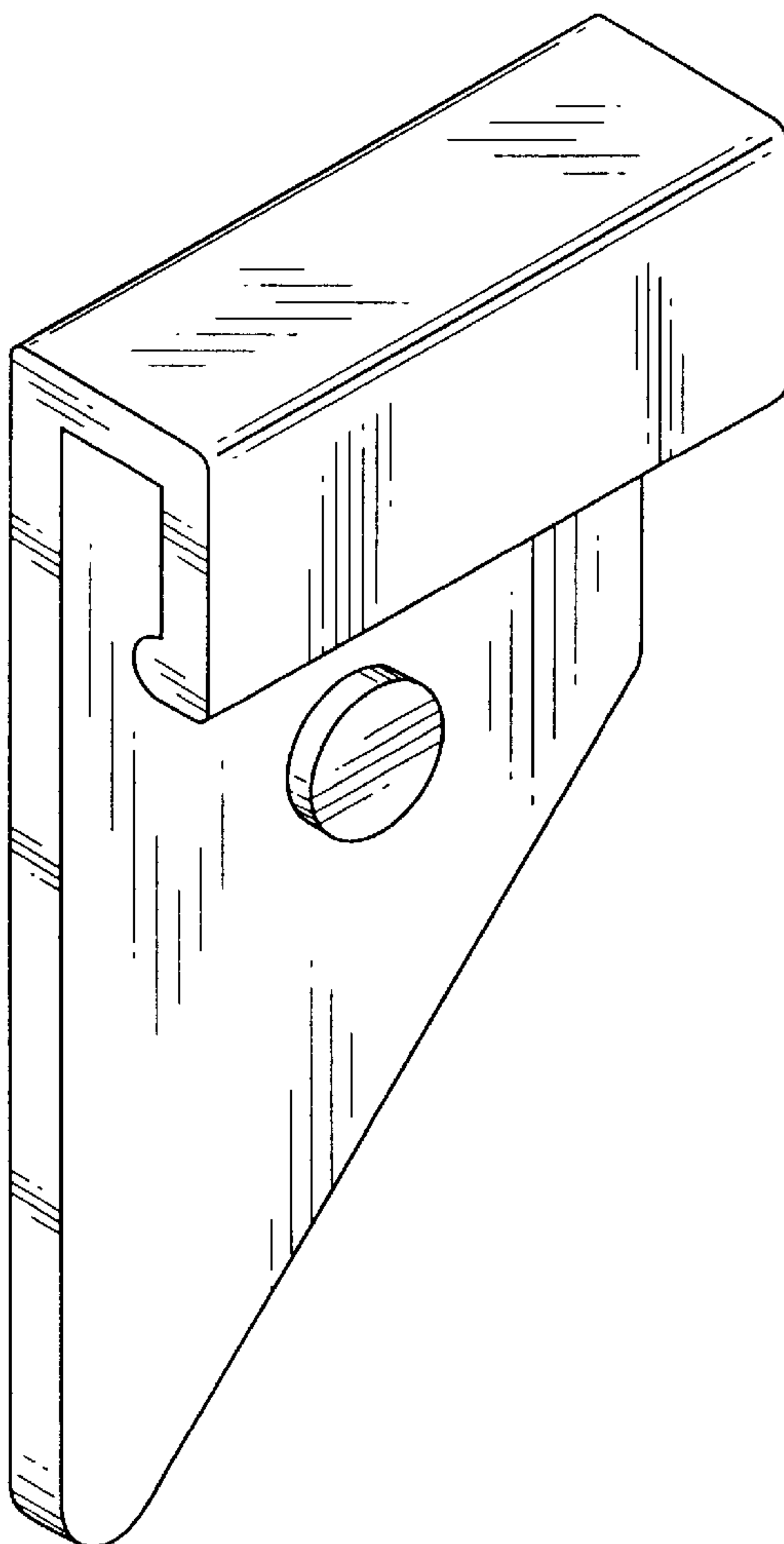
The right side elevation view is omitted. The right side elevation view is plain and unornamented.

[56] References Cited

U.S. PATENT DOCUMENTS

D. 381,369 7/1997 Sabadina D20/43

1 Claim, 3 Drawing Sheets



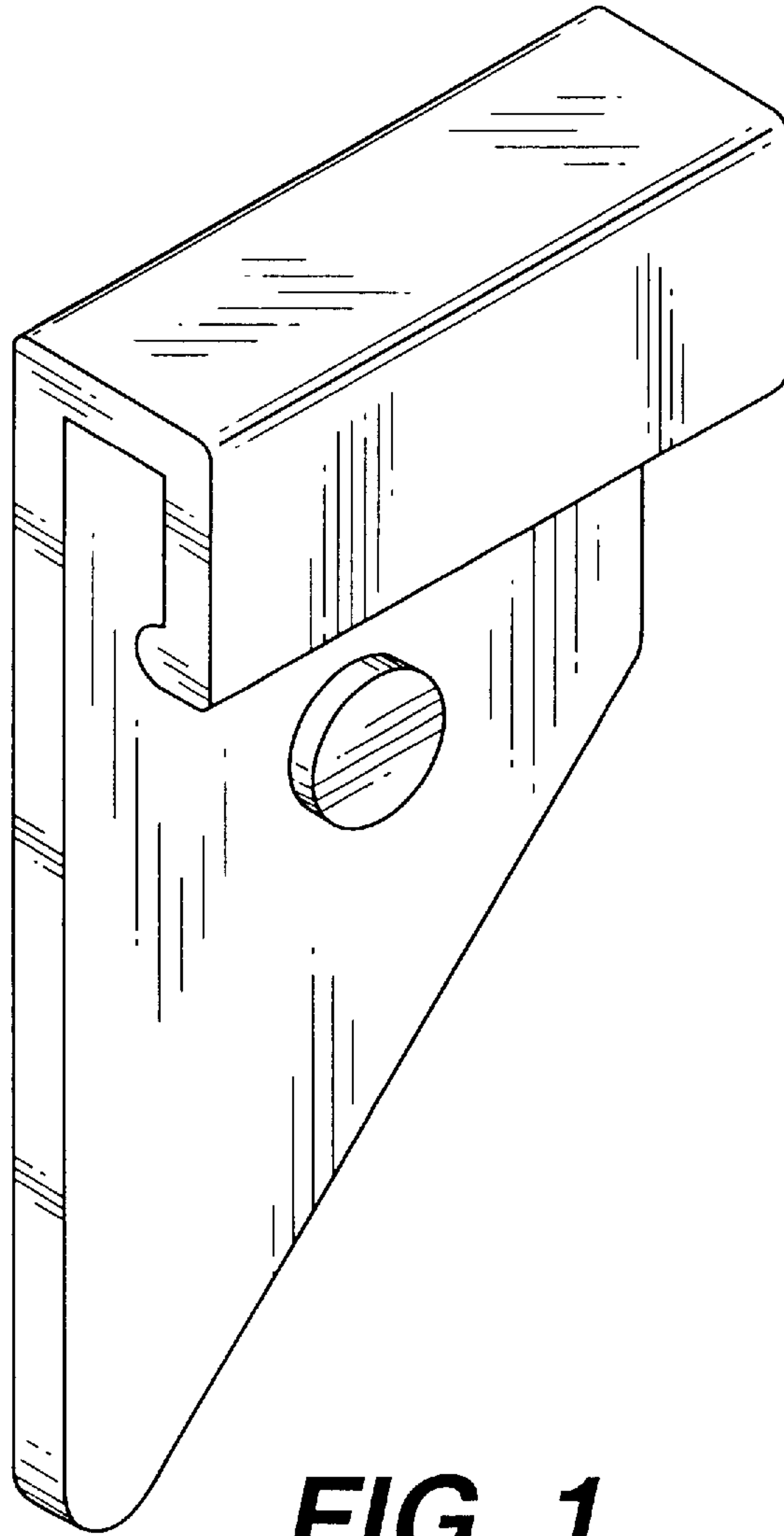


FIG. 1

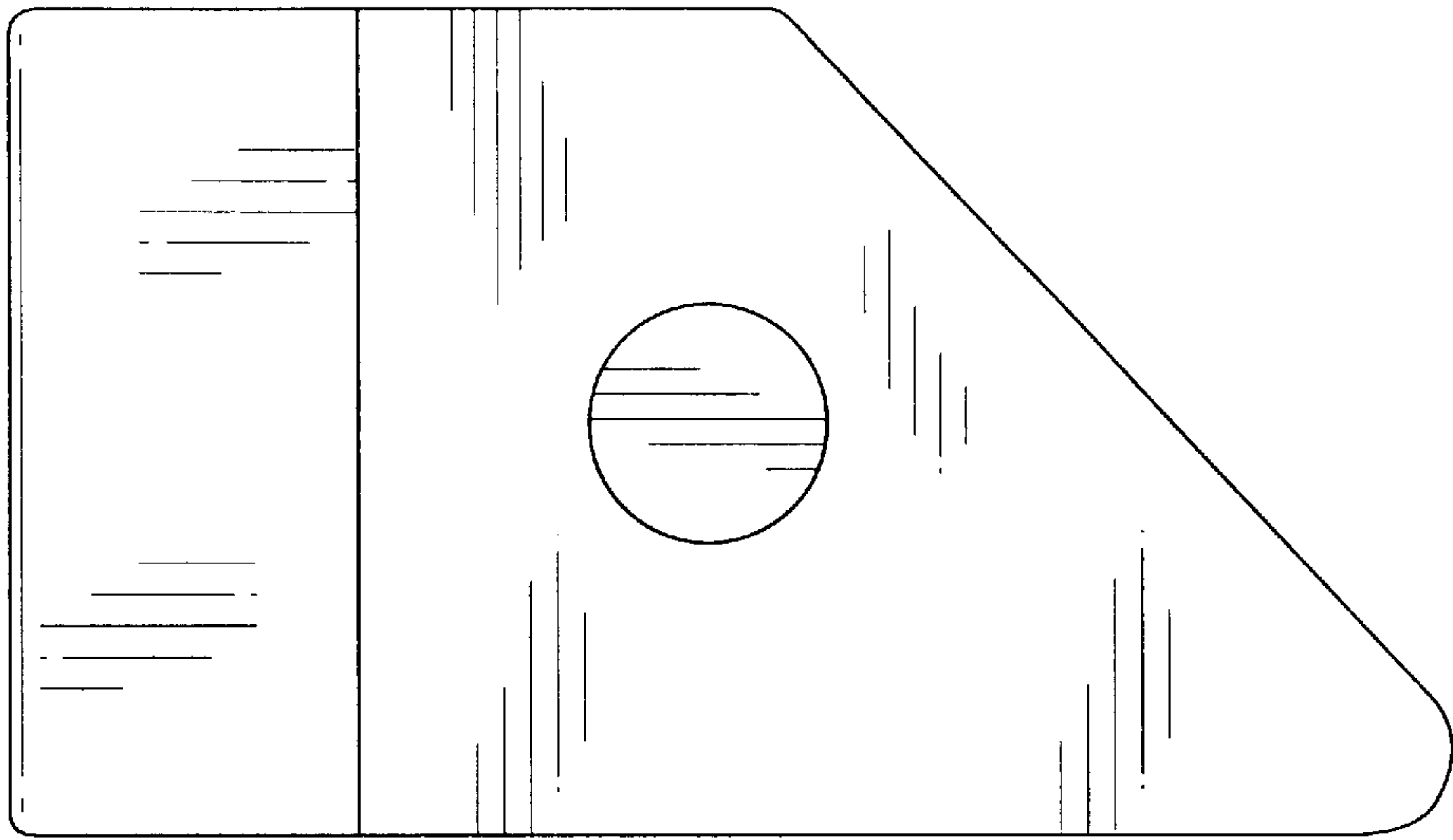


FIG. 2

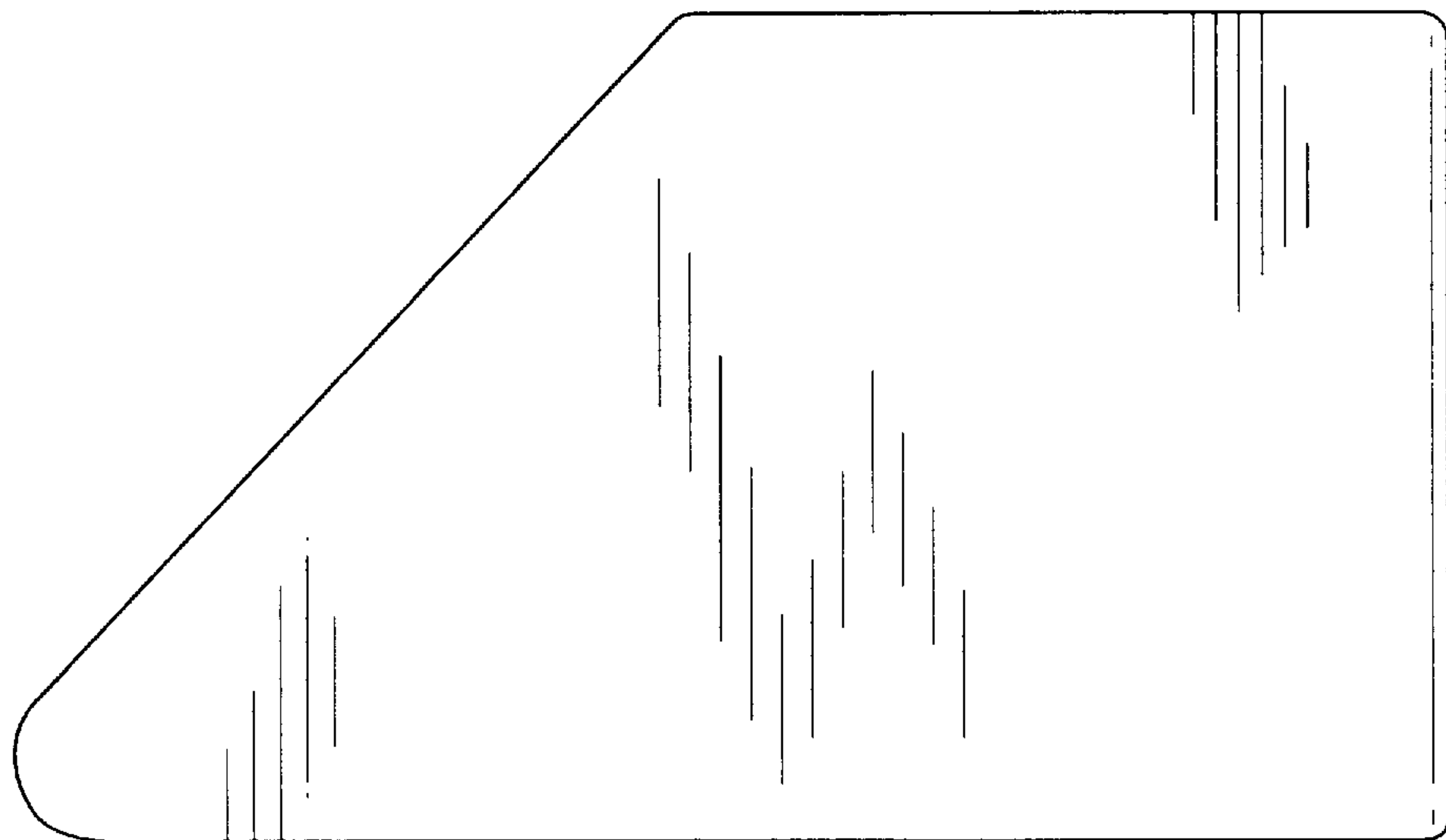


FIG. 3

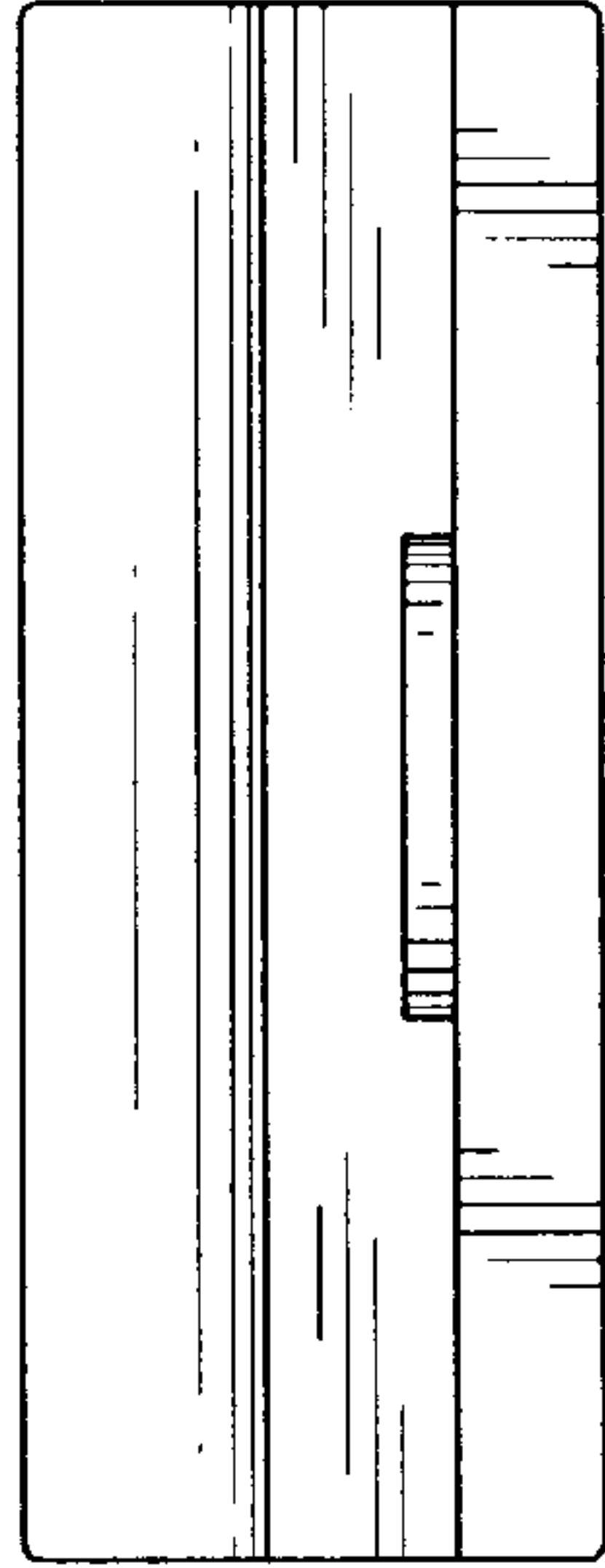


FIG. 4

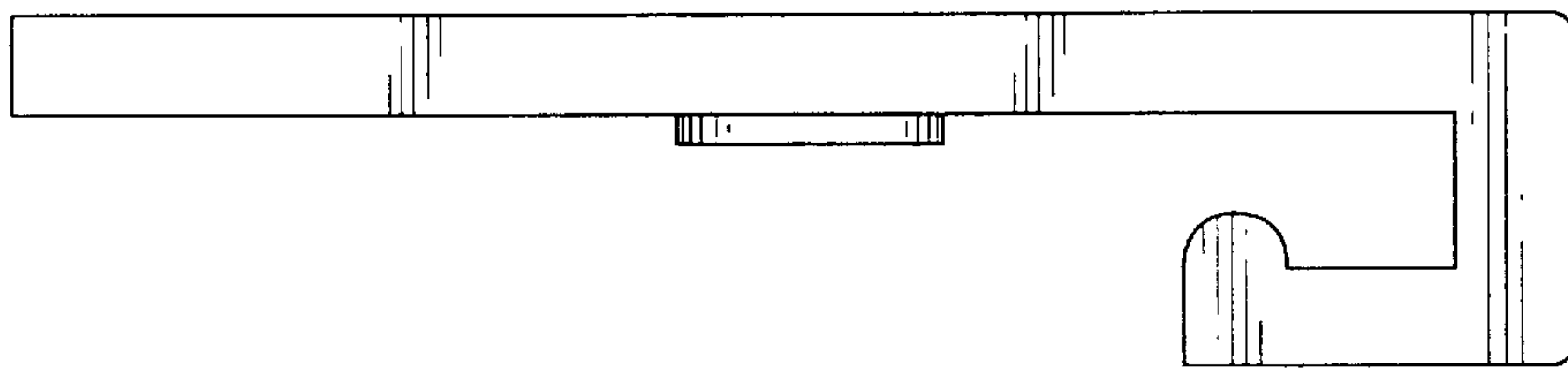


FIG. 5