



US00D406606S

United States Patent [19] Lee

[11] **Patent Number: Des. 406,606**

[45] **Date of Patent: **Mar. 9, 1999**

[54] **PUNCH**

[75] Inventor: **Ronson Lee**, Taipei, Taiwan

[73] Assignee: **Full Create Enterprise, Ltd.**, Taipei, Taiwan

[**] Term: **14 Years**

[21] Appl. No.: **87,002**

[22] Filed: **Apr. 24, 1998**

[51] **LOC (6) Cl.** **19-02**

[52] **U.S. Cl.** **D19/72; D19/65**

[58] **Field of Search** D19/65, 72, 95, D19/99, 100; D15/128; D8/98; 83/167, 454, 465, 467, 550, 560, 205, 257, 588; 30/461, 285, 289, 294, DIG. 3

[56] **References Cited**

U.S. PATENT DOCUMENTS

D. 304,131 10/1989 Tanigami D19/72

D. 321,907	11/1991	Matsuno	D19/72
D. 364,411	11/1995	Wang	D19/72 X
D. 392,323	3/1998	Appelbaum	D19/65 X
D. 395,676	6/1998	Chiou	D19/72
2,266,863	12/1941	Hatch	30/461
2,655,215	10/1953	Kertes	83/257
5,749,278	5/1998	Lee et al.	83/588

Primary Examiner—Martie K. Holtje
Attorney, Agent, or Firm—Donald C. Casey, Esq.

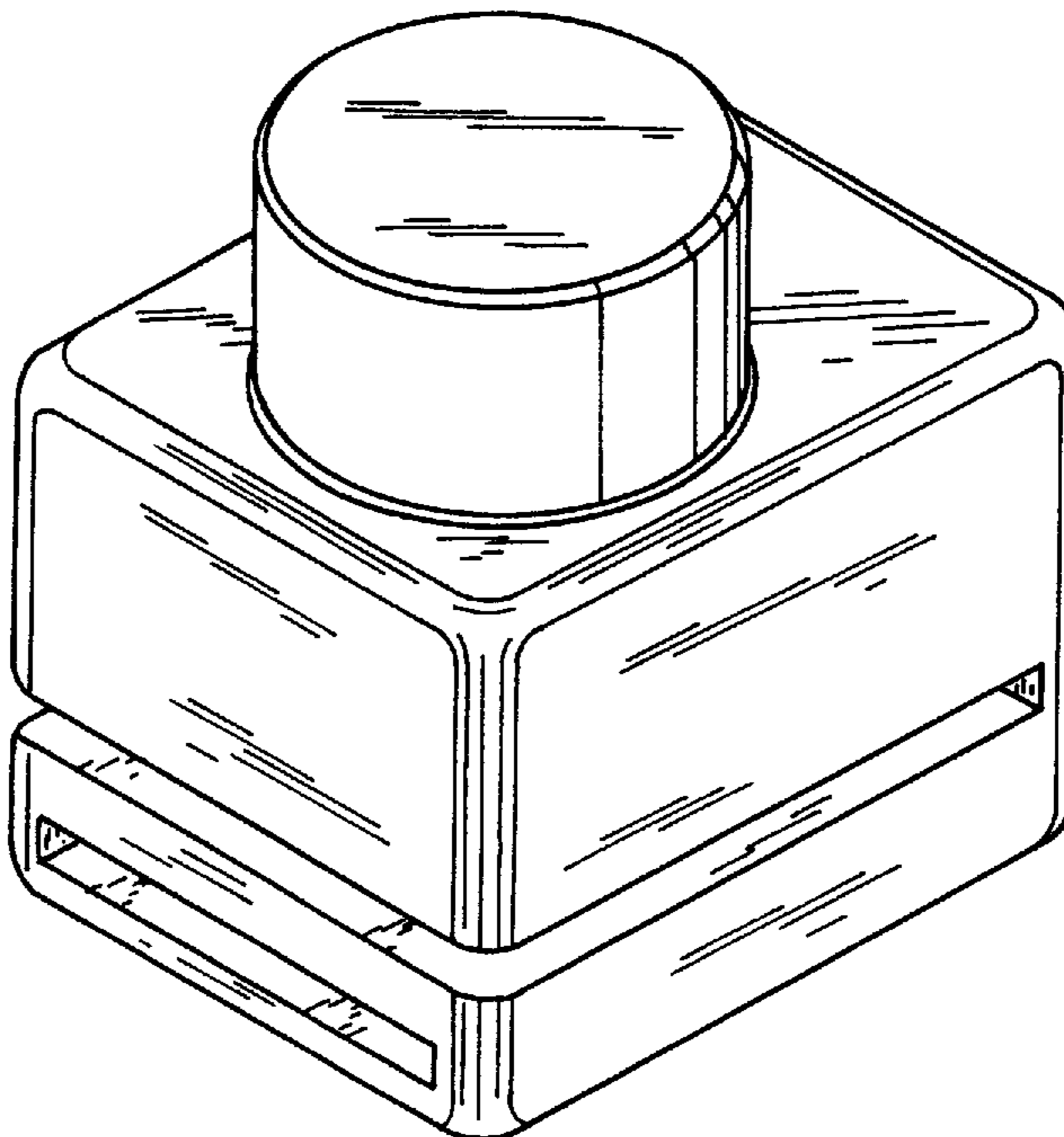
[57] **CLAIM**

The ornamental design for a punch, as shown and described.

DESCRIPTION

FIG. 1 is a perspective view of the design of this invention; FIG. 2 is a front view of the design of FIG. 1; FIG. 3 is a rear view of the design of FIG. 1; FIG. 4 is a right side view of the design of FIG. 1; FIG. 5 is a left side view of the design of FIG. 1; FIG. 6 is a top view of the design of FIG. 1; and, FIG. 7 is a bottom view of the design of FIG. 1.

1 Claim, 2 Drawing Sheets



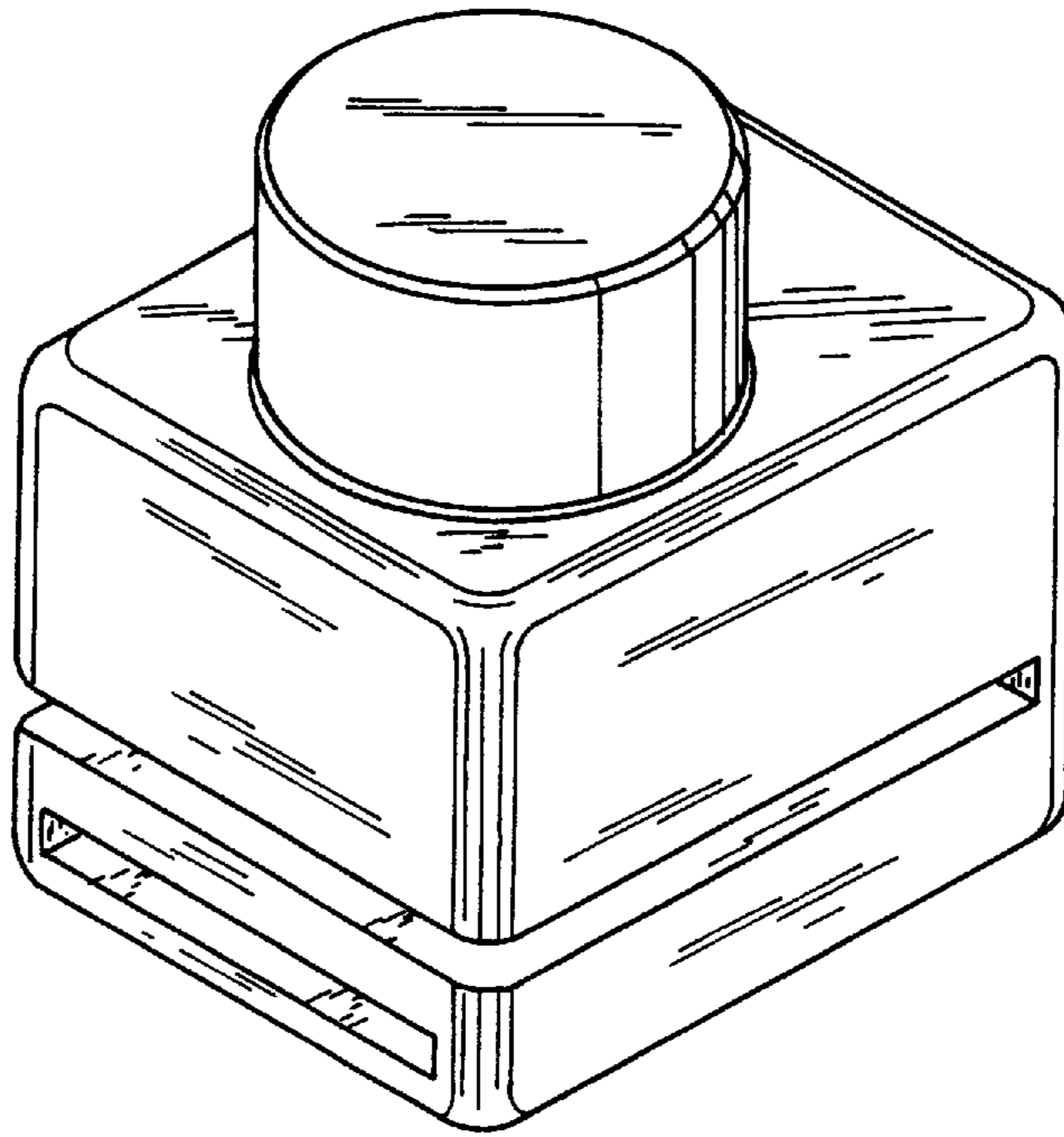


FIG. 1

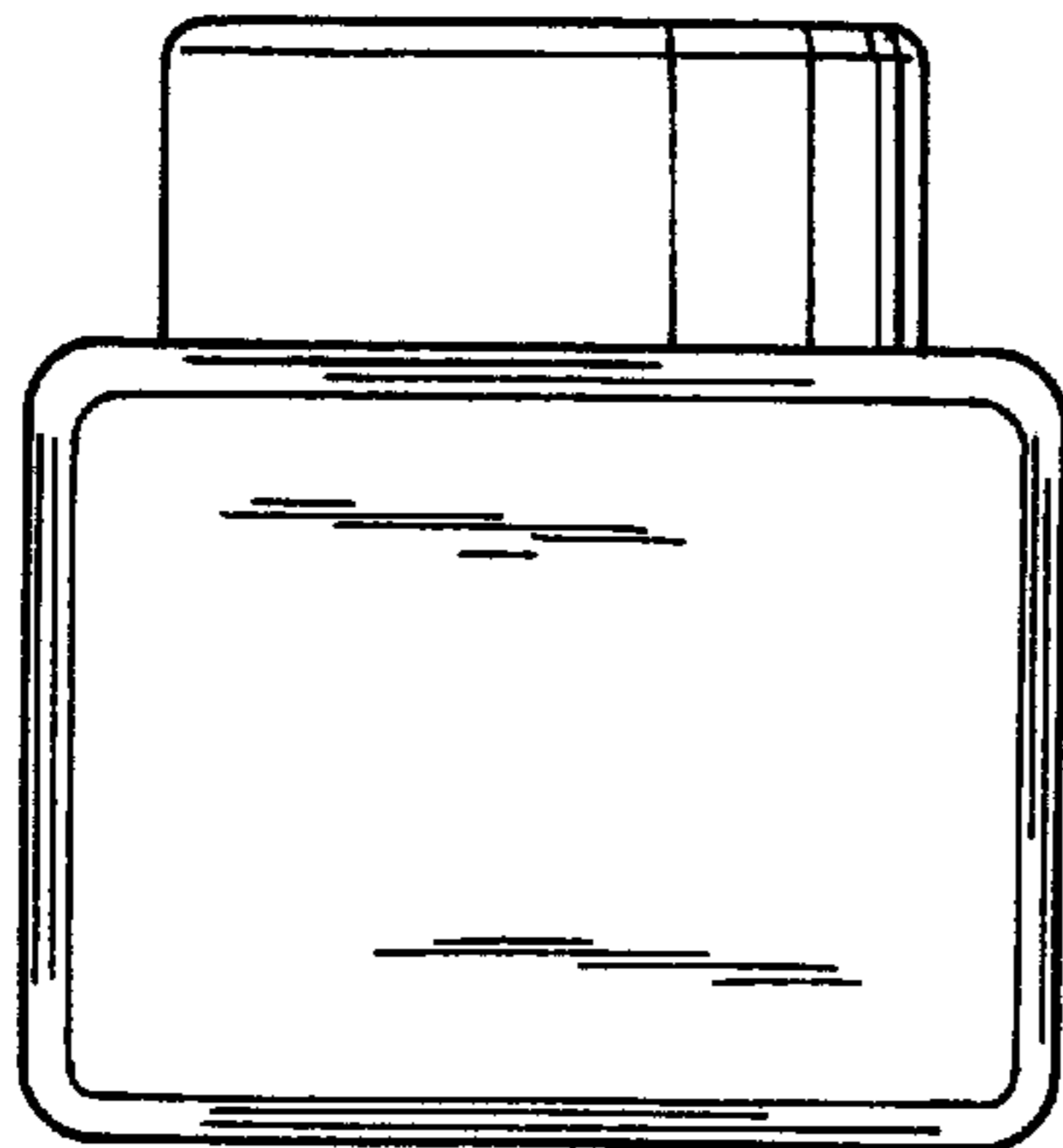


FIG. 3

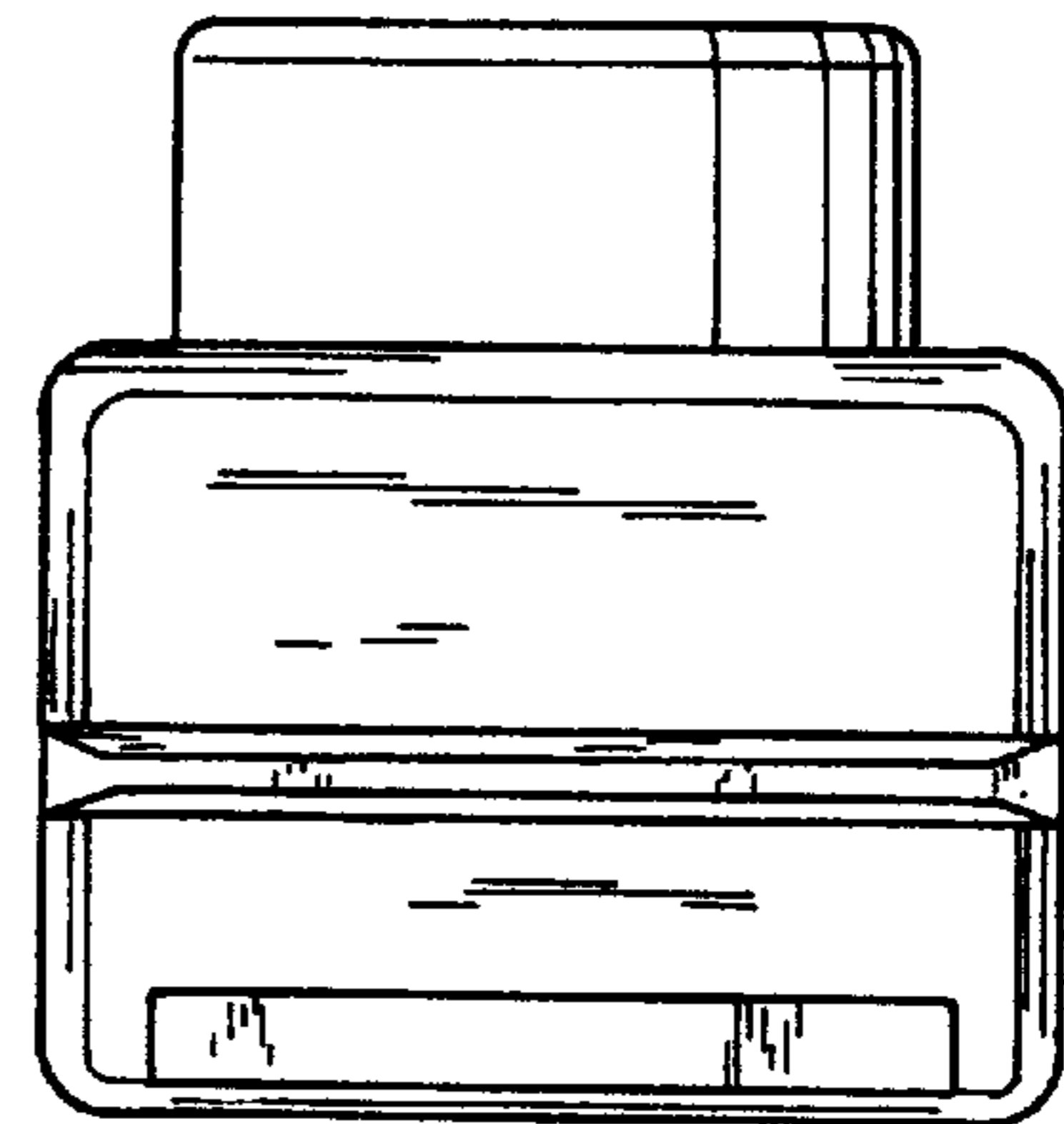


FIG. 2

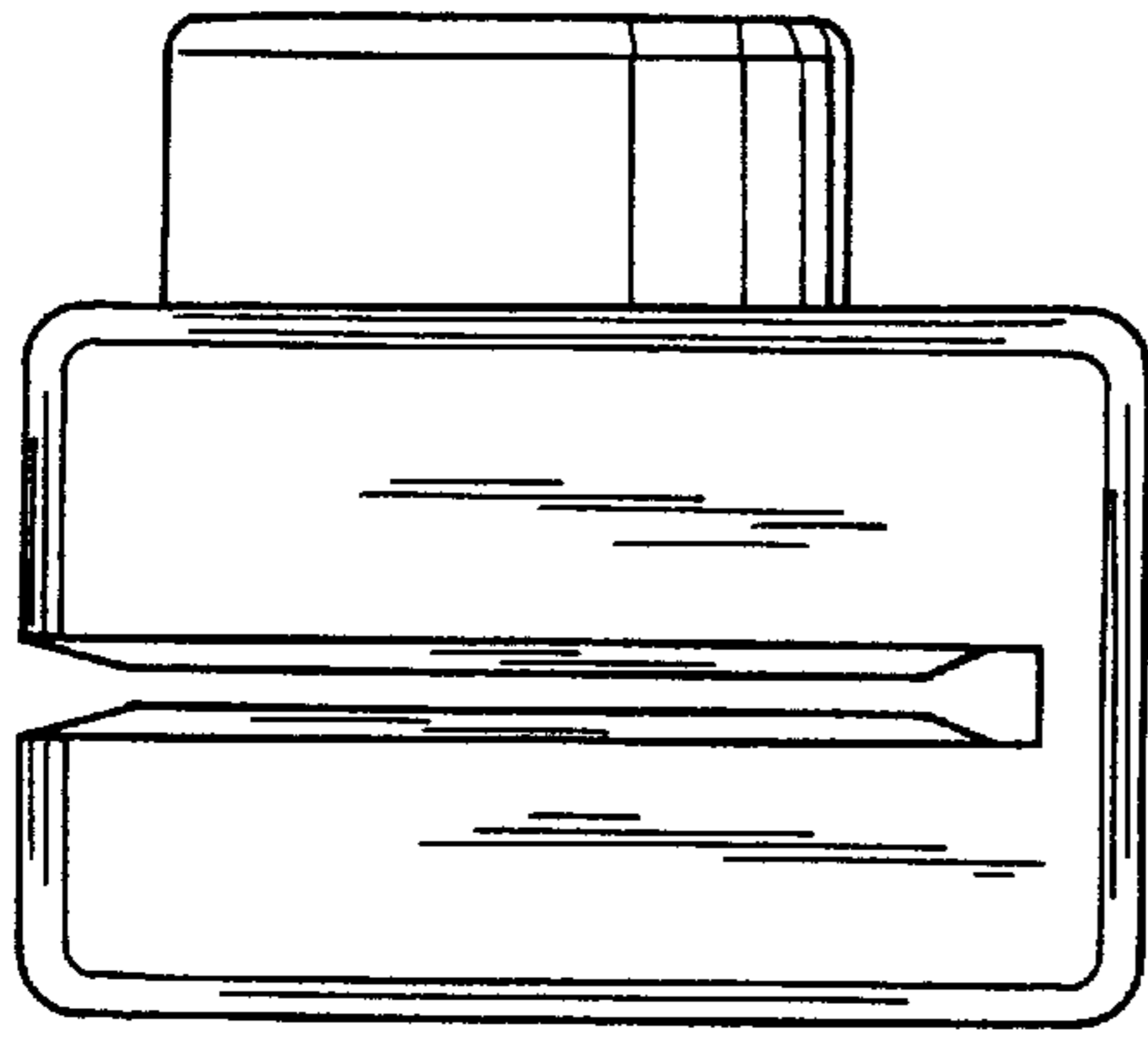


FIG. 5

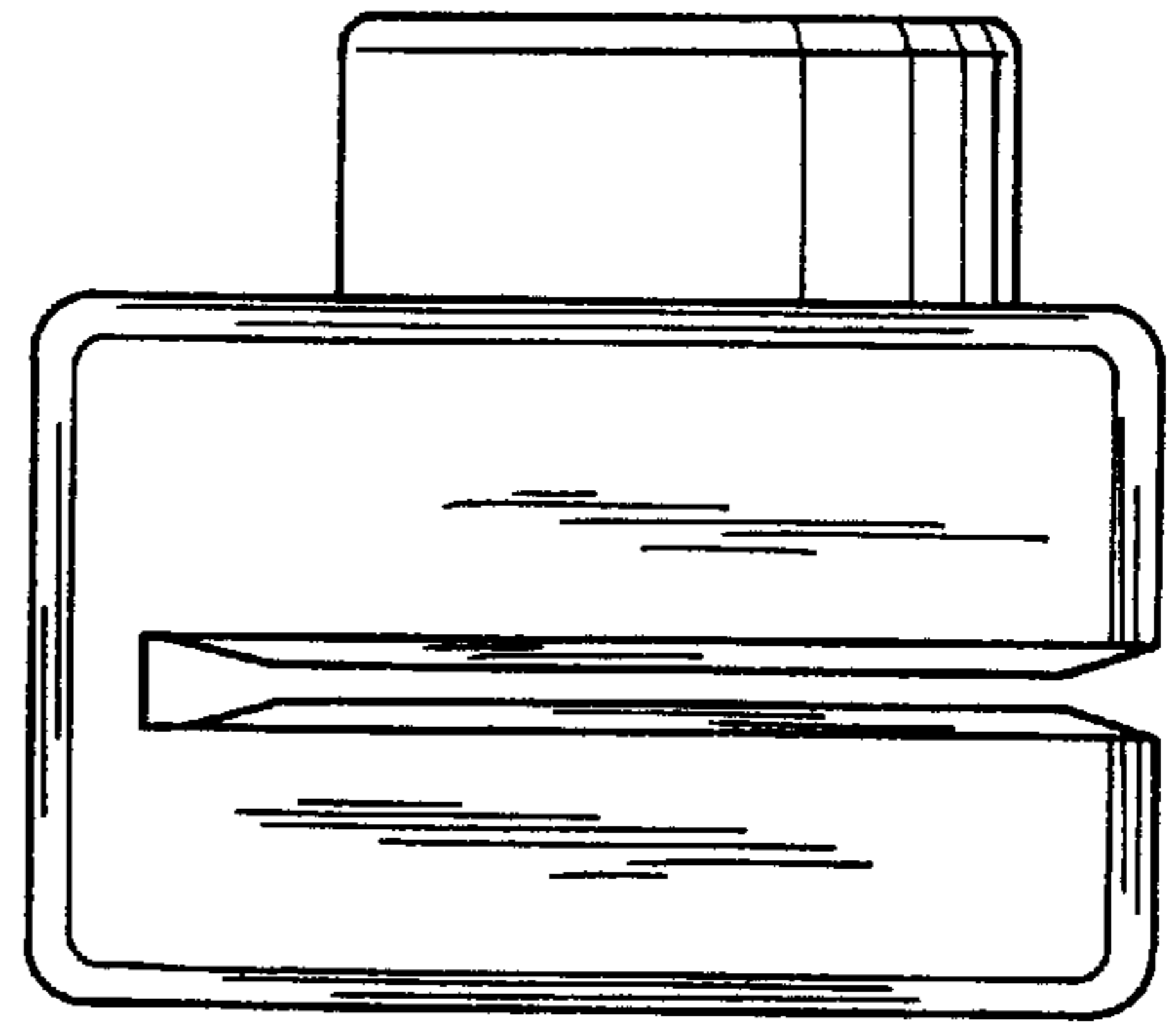


FIG. 4

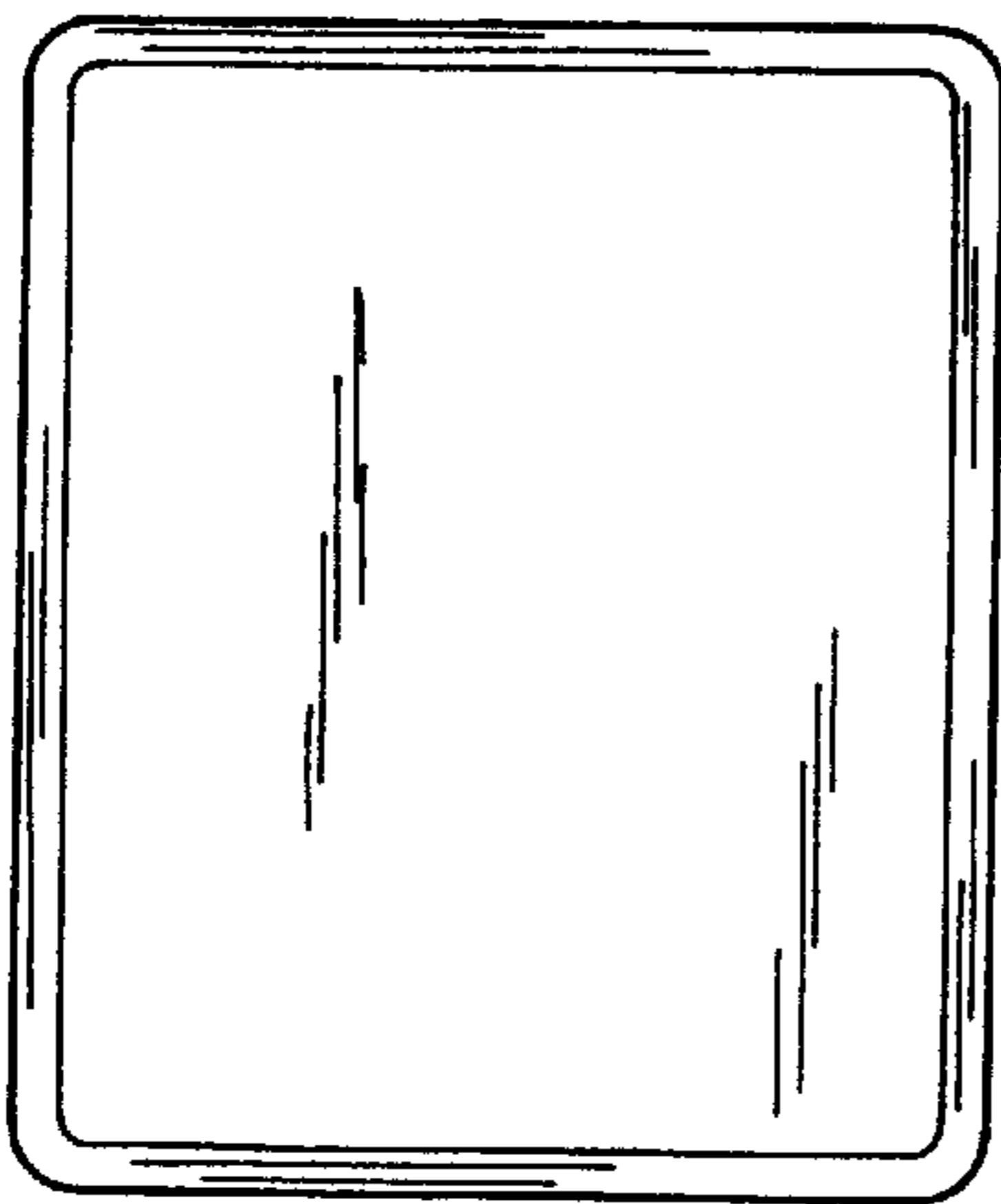


FIG. 7

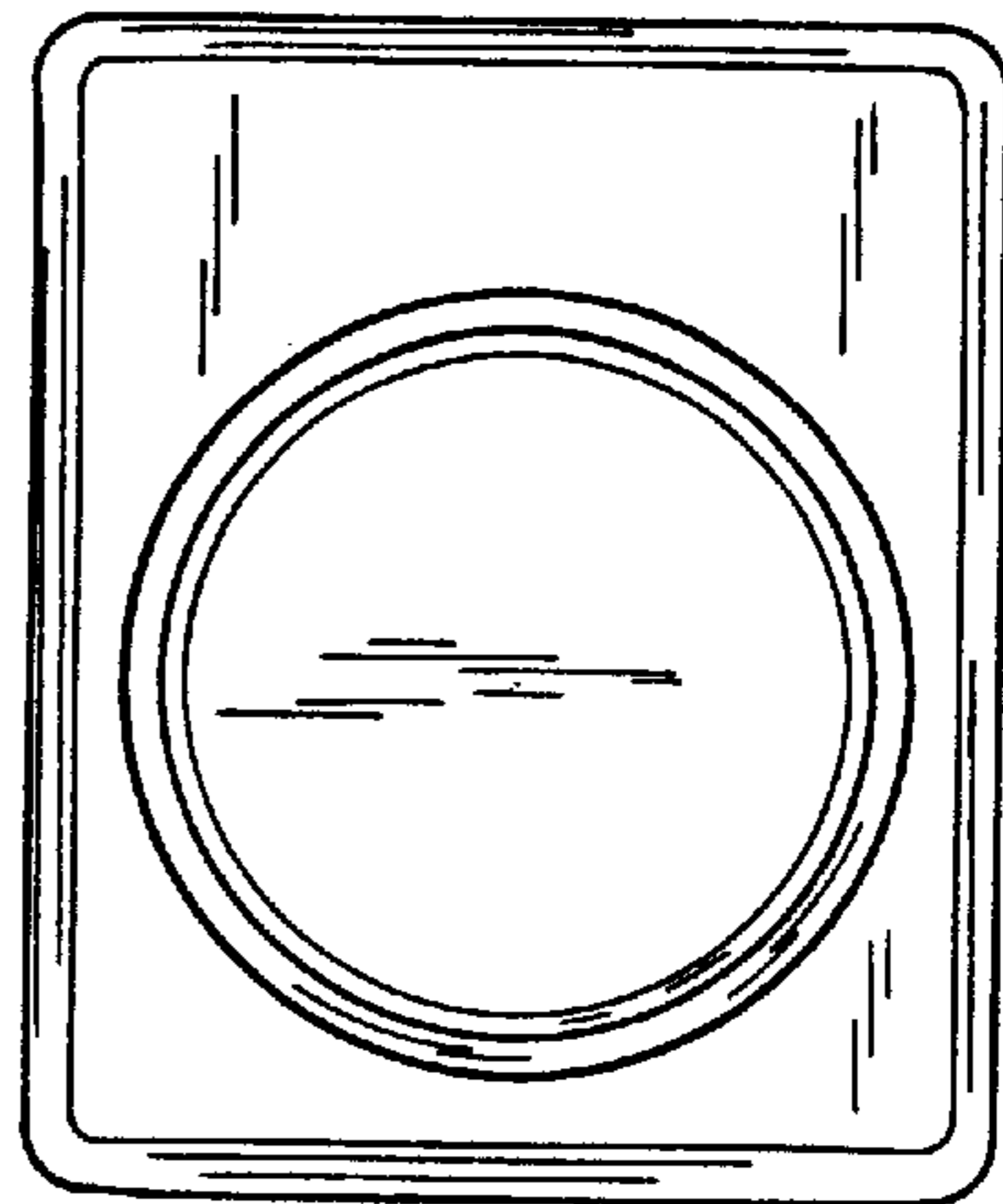


FIG. 6