



US00D406601S

United States Patent [19]

Dodge et al.

[11] **Patent Number: Des. 406,601**

[45] **Date of Patent: **Mar. 9, 1999**

[54] **AUTOMATIC DOCUMENT FEEDER**

D. 335,302 5/1993 Quedenfeld D18/56
D. 357,273 4/1995 Hocking D18/49

[75] Inventors: **Charles W. Dodge**, Escondido; **Craig A. Maurer**, San Diego; **Heinz Waschhauser**, Escondido, all of Calif.

Primary Examiner—Caron D. Veynar
Attorney, Agent, or Firm—Jerry R. Potts

[73] Assignee: **Hewlett-Packard Company**, Palo Alto, Calif.

[57] **CLAIM**

The ornamental design for an automatic document feeder, as shown and described.

[**] Term: **14 Years**

DESCRIPTION

[21] Appl. No.: **84,165**

FIG. 1 is a front perspective view of an automatic document feeder showing our new design;
FIG. 2 is a rear perspective view thereof;
FIG. 3 is a top plan view thereof;
FIG. 4 is a front elevational view thereof;
FIG. 5 is a right side elevational view thereof; and,
FIG. 6 is a rear elevational view thereof.

[22] Filed: **Feb. 25, 1998**

[51] **LOC (6) Cl.** **18-99**

[52] **U.S. Cl.** **D18/49**

[58] **Field of Search** D18/46-49, 56;
226/74; 271/2.1, 3, 8.1, 9, 10; 400/624-629,
636, 642, 636.2, 646, 647, 647.1, 689-694

The broken line showing of a housing in FIGS. 1, 2, 4, 5, and 6 is for illustrative purposes only and forms no part of the claimed design.

[56] **References Cited**

U.S. PATENT DOCUMENTS

D. 157,515 2/1950 Perzentka D18/49

1 Claim, 3 Drawing Sheets

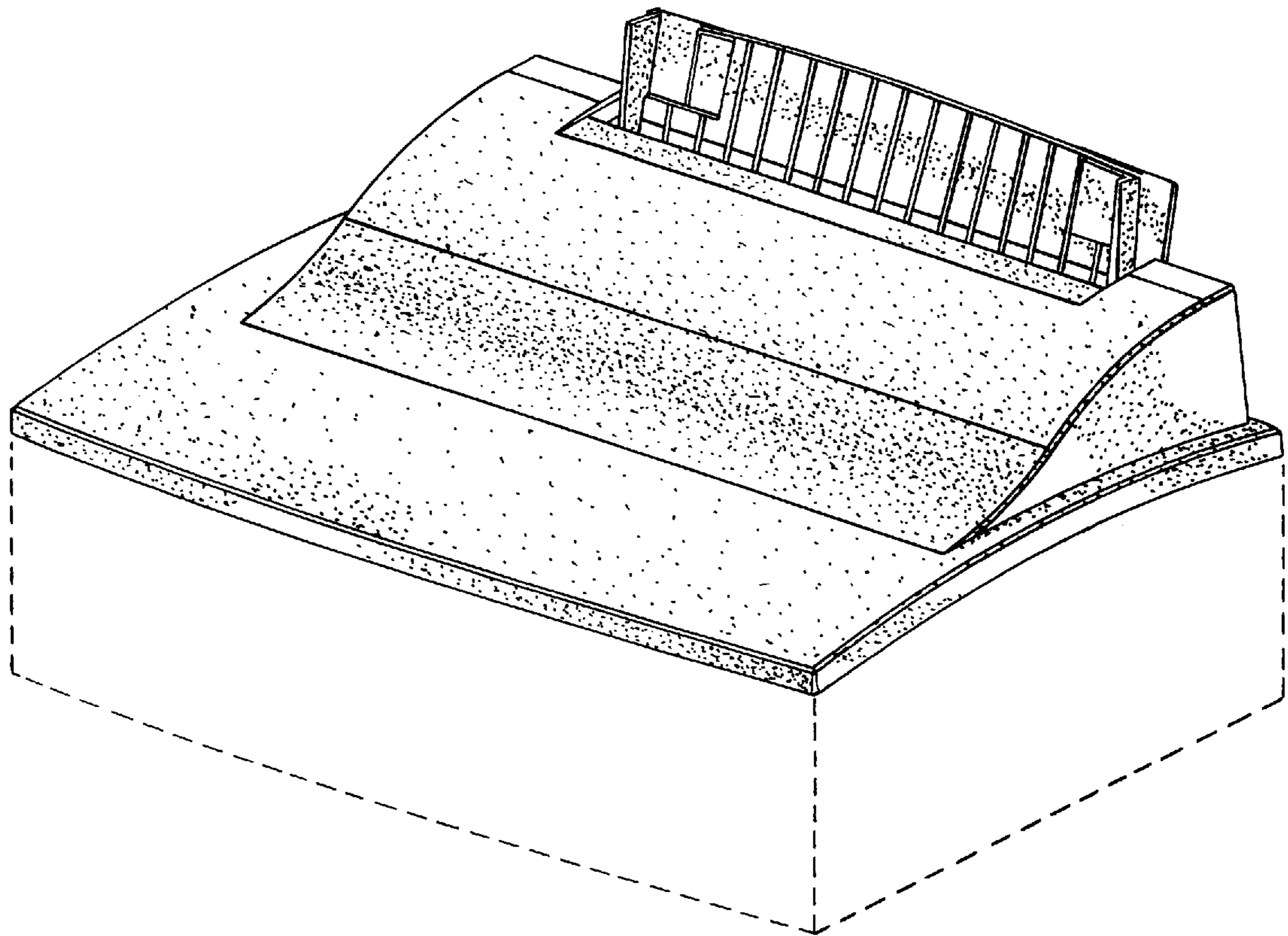


FIG. 1.

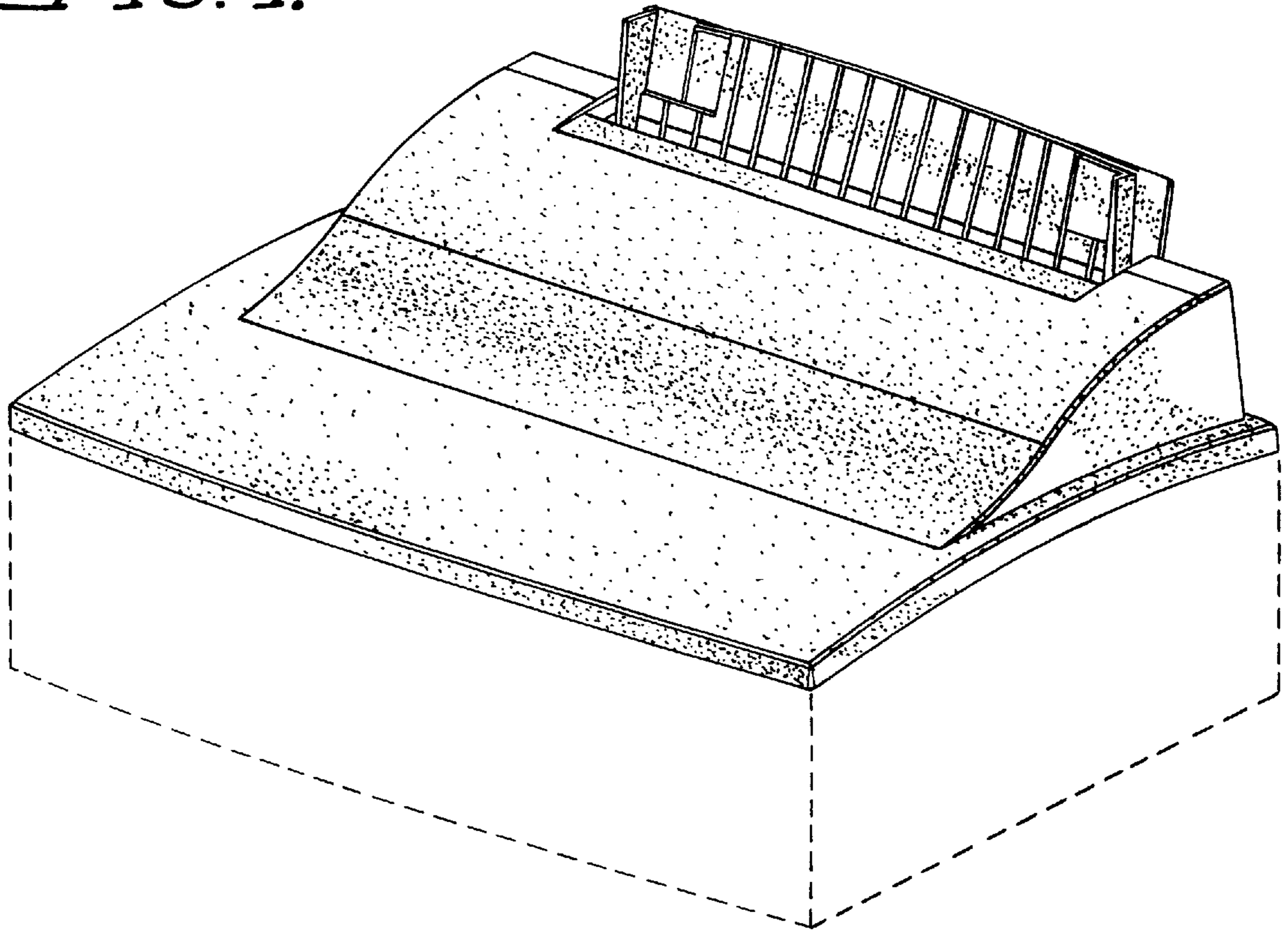


FIG. 2.

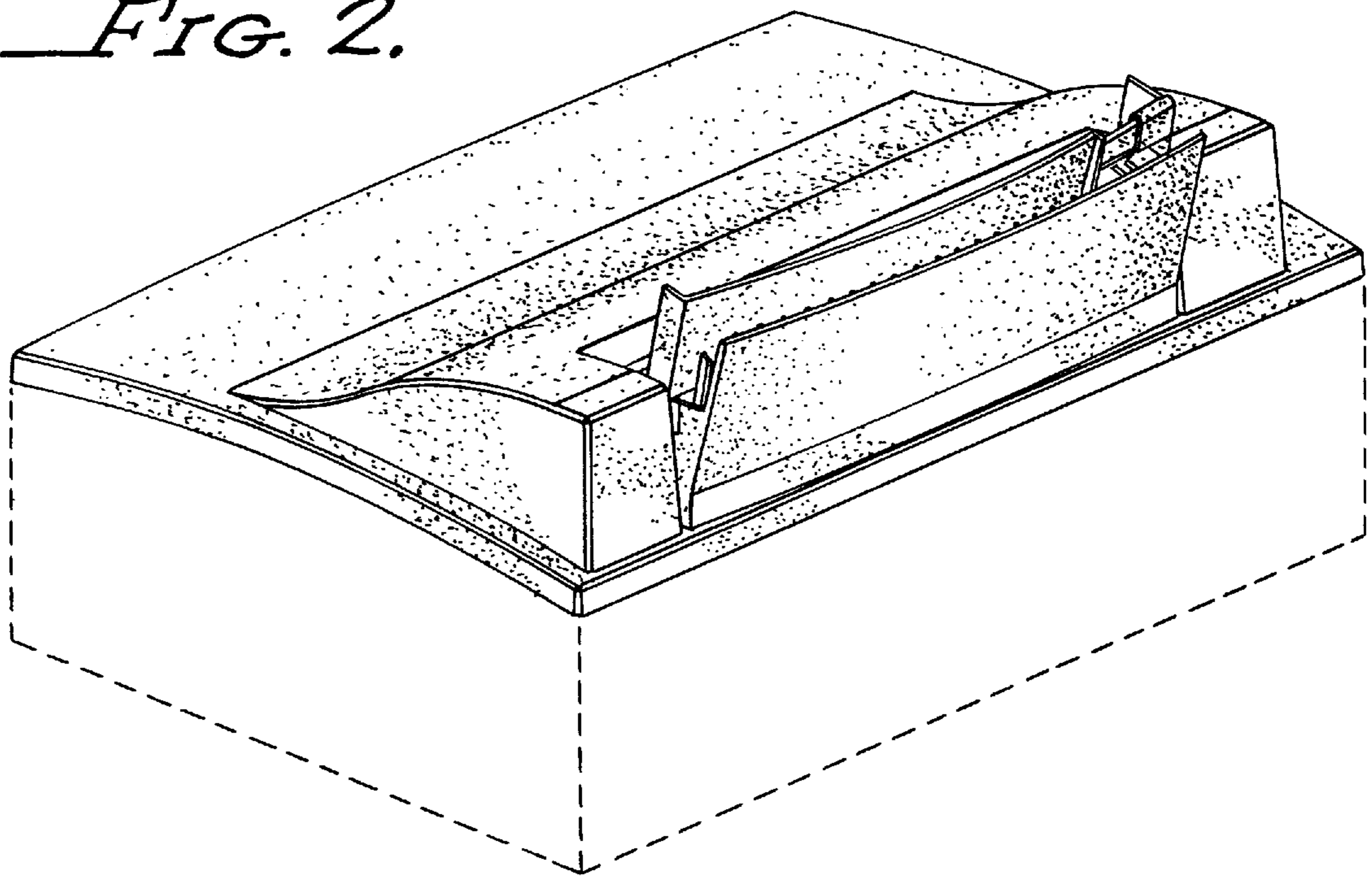


FIG. 3.

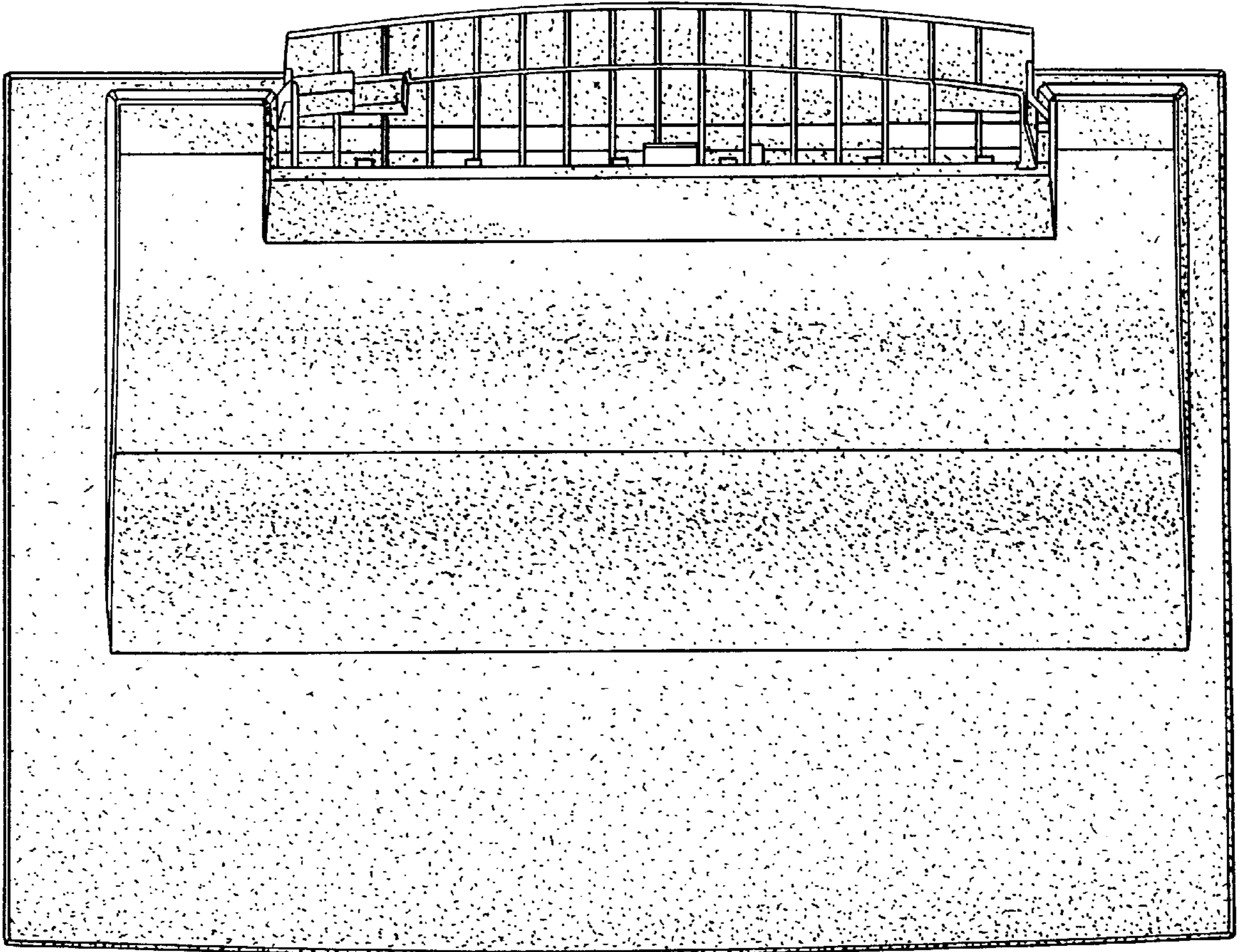
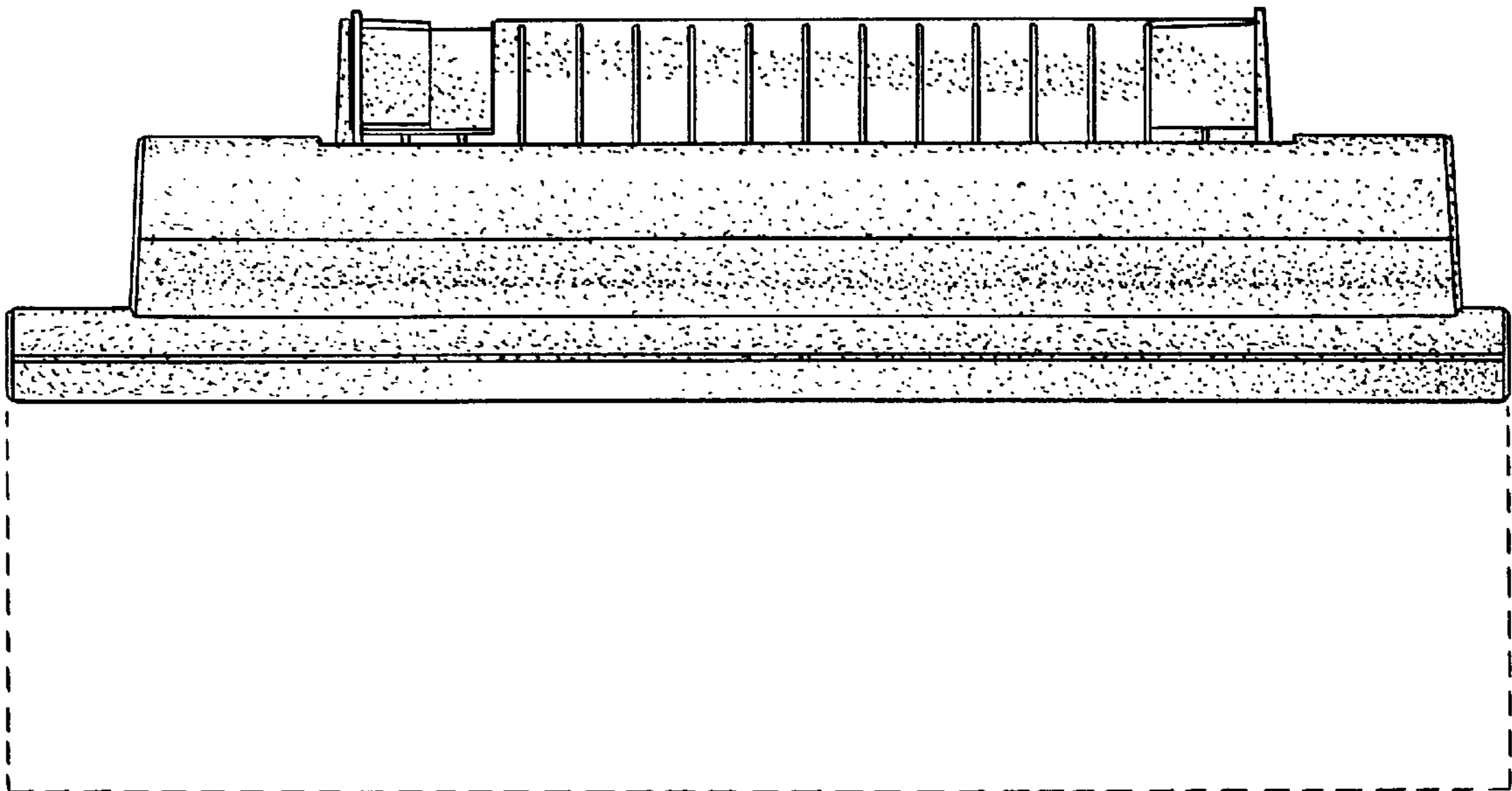


FIG. 4.



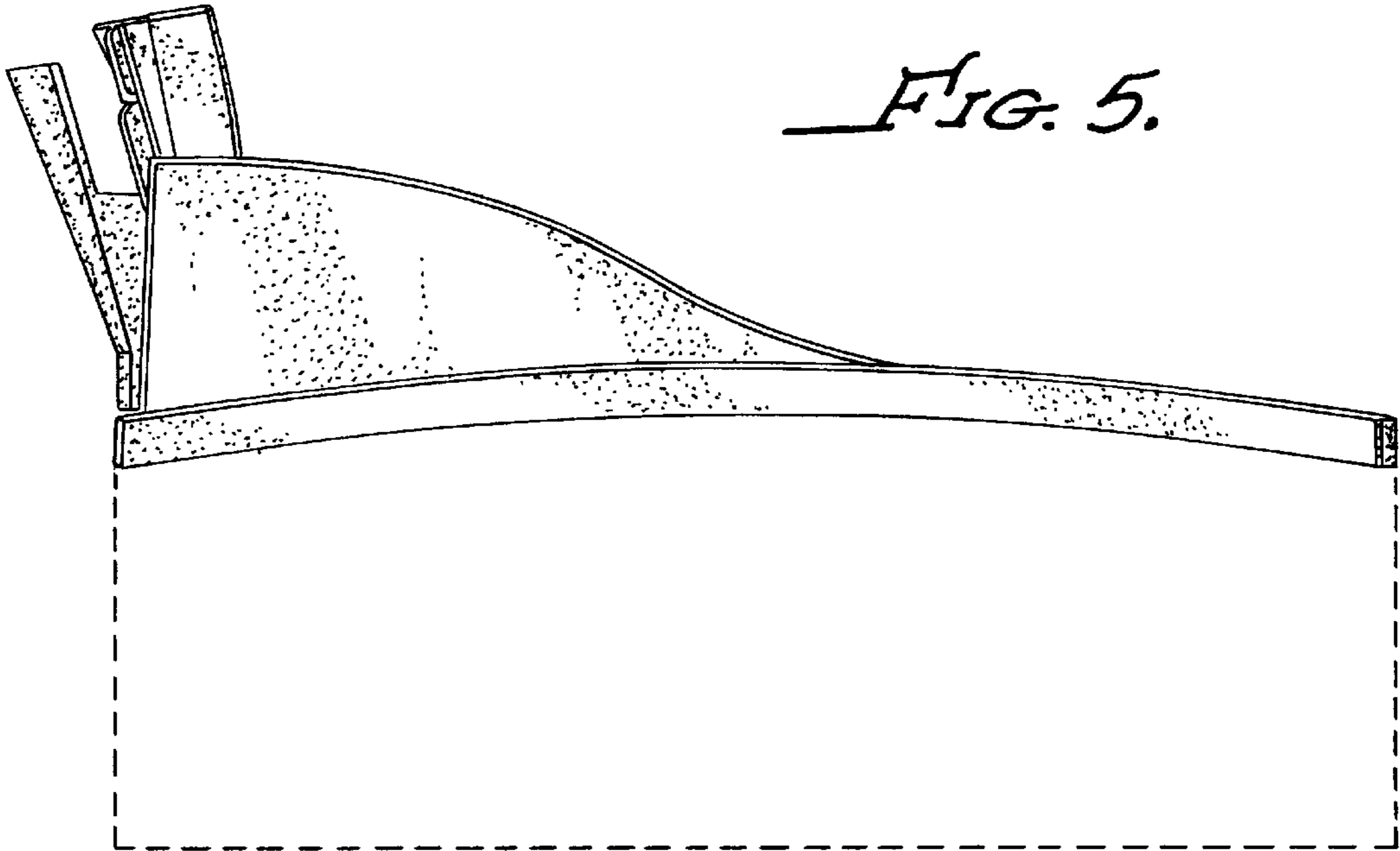


FIG. 6.

