



US00D406599S

United States Patent [19]

Swayze et al.

[11] Patent Number: Des. 406,599

[45] Date of Patent: **Mar. 9, 1999

[54] ELECTRONIC CAMERA

[75] Inventors: Samuel F. Swayze, Fairport, N.Y.; G. Kenneth Smithborne, Minden, Nev.

[73] Assignee: Eastman Kodak Company, Rochester, N.Y.

[**] Term: 14 Years

[21] Appl. No.: 82,365

[22] Filed: Jan. 21, 1998

[51] LOC (6) Cl. 16-01

[52] U.S. Cl. D16/202; D16/209; D16/218

[58] Field of Search D16/200-205, D16/208, 209, 216-218; 348/373-376; 358/906, 909.1; 396/535-543

[56] References Cited

U.S. PATENT DOCUMENTS

D. 371,377	7/1996	Miyahara	D16/202
D. 385,569	10/1997	Takimura	D16/202
D. 388,449	12/1997	Ohi et al.	D16/202
D. 392,659	3/1998	Takano	D16/202
D. 394,444	5/1998	Hoshi et al.	D16/209
4,873,576	10/1989	Hattori et al.	348/373

Primary Examiner—Ted Shooman
Assistant Examiner—Adir Aronovich
Attorney, Agent, or Firm—David M. Woods

[57] CLAIM

The ornamental design for an electronic camera, as shown and described.

DESCRIPTION

FIG. 1 is a front, top, right-side perspective view of an electronic camera, showing our new design with zoom lens retracted;

FIG. 2 is a rear, top, left-side perspective view of the camera shown in FIG. 1;

FIG. 3 is a front elevation view of the camera shown in FIG. 1;

FIG. 4 is a rear elevation view of the camera shown in FIG. 1;

FIG. 5 is a top plan view of the camera shown in FIG. 1;

FIG. 6 is a bottom plan view of the camera shown in FIG. 1;

FIG. 7 is a right-side elevation view of the camera shown in FIG. 1;

FIG. 8 is a left-side elevation view of the camera shown in FIG. 1;

FIG. 9 is a front, top right-side perspective view of the electronic camera, showing our new design with the zoom lens extended;

FIG. 10 is a front elevation of the camera shown in FIG. 9;

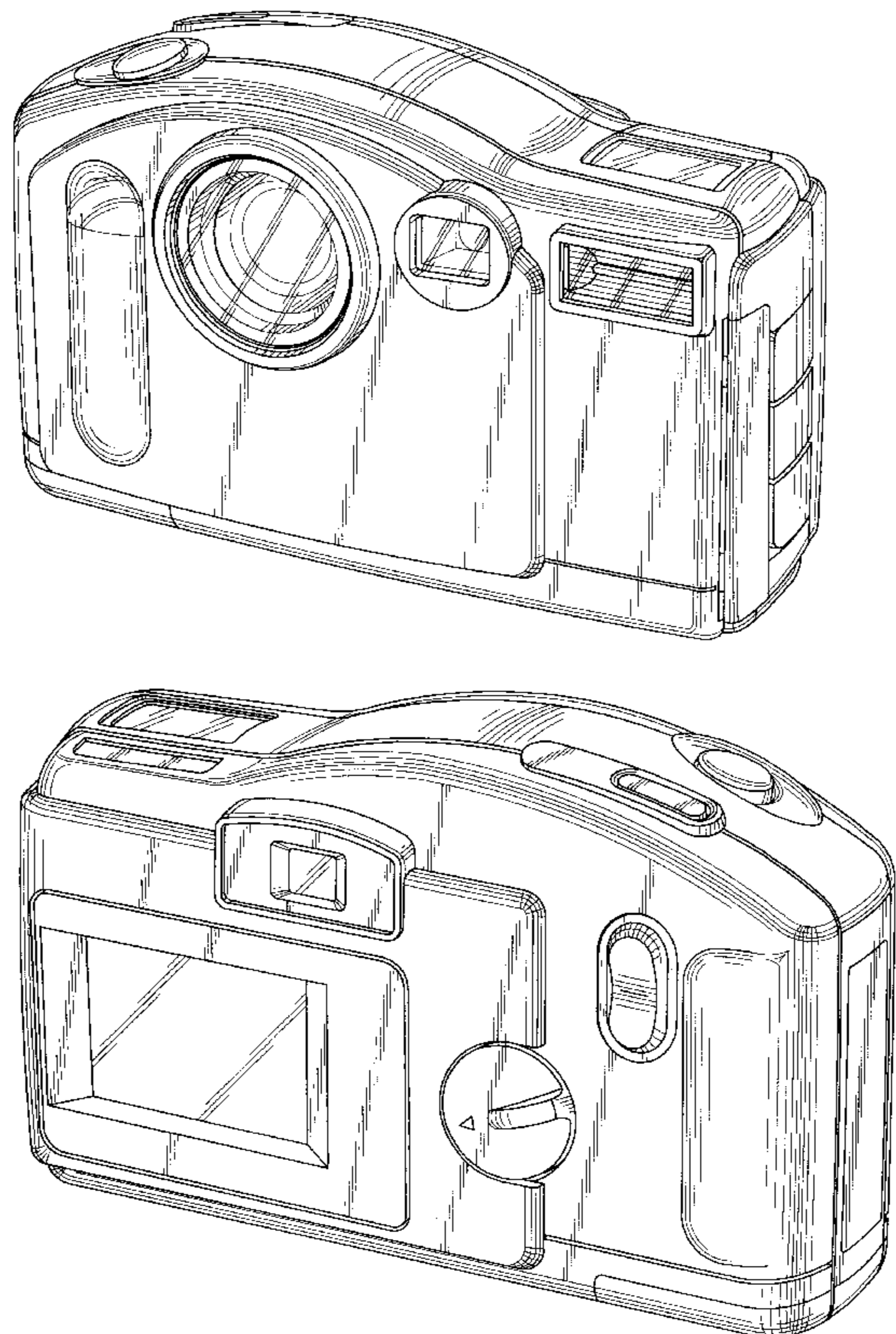
FIG. 11 is a top plan view of the camera shown in FIG. 9;

FIG. 12 is a bottom plan view of the camera shown in FIG. 9;

FIG. 13 is a right-side elevation view of the camera shown in FIG. 9; and,

FIG. 14 is a left-side elevation view of the camera in FIG. 9.

1 Claim, 14 Drawing Sheets



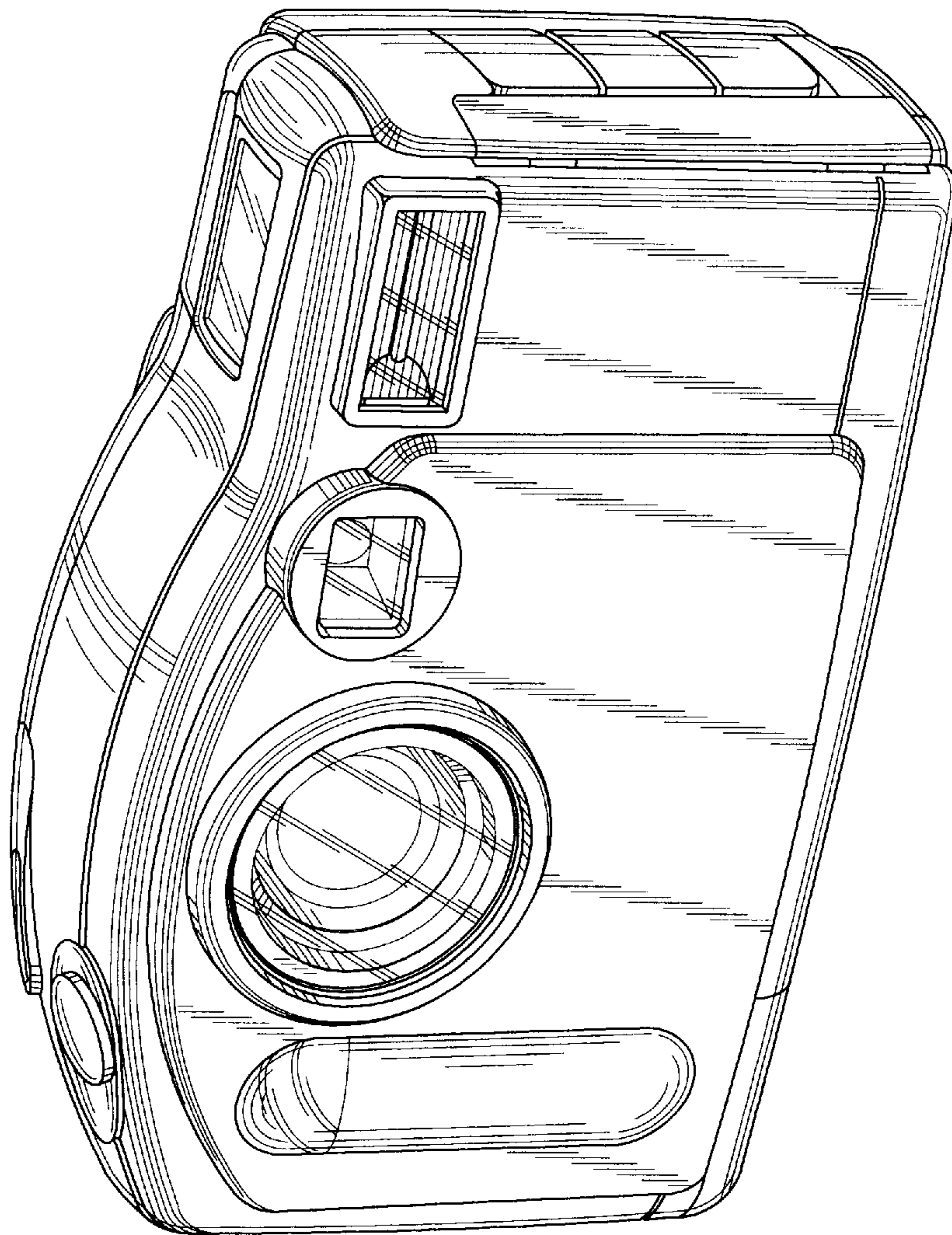


FIG. 1

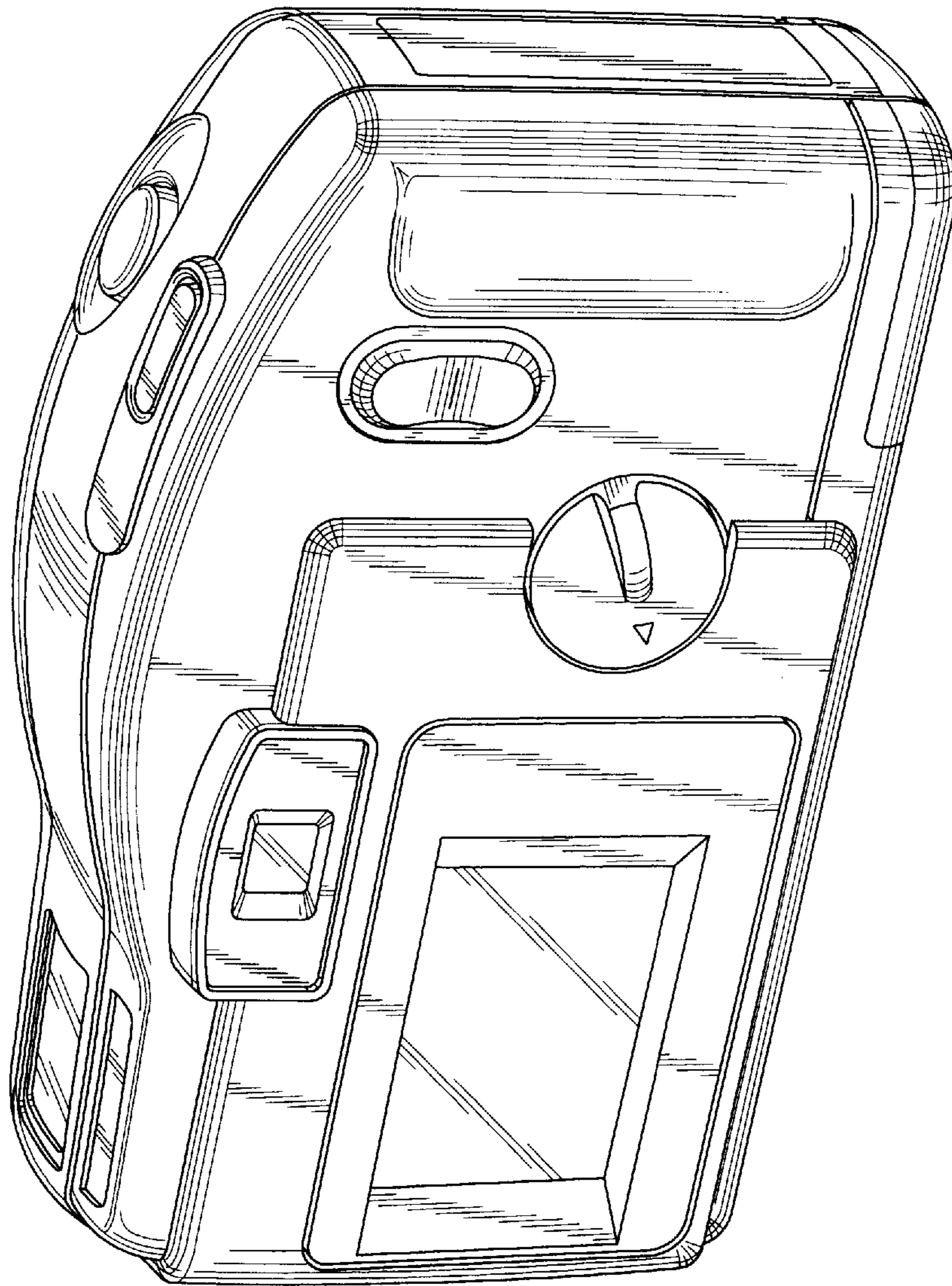


FIG. 2

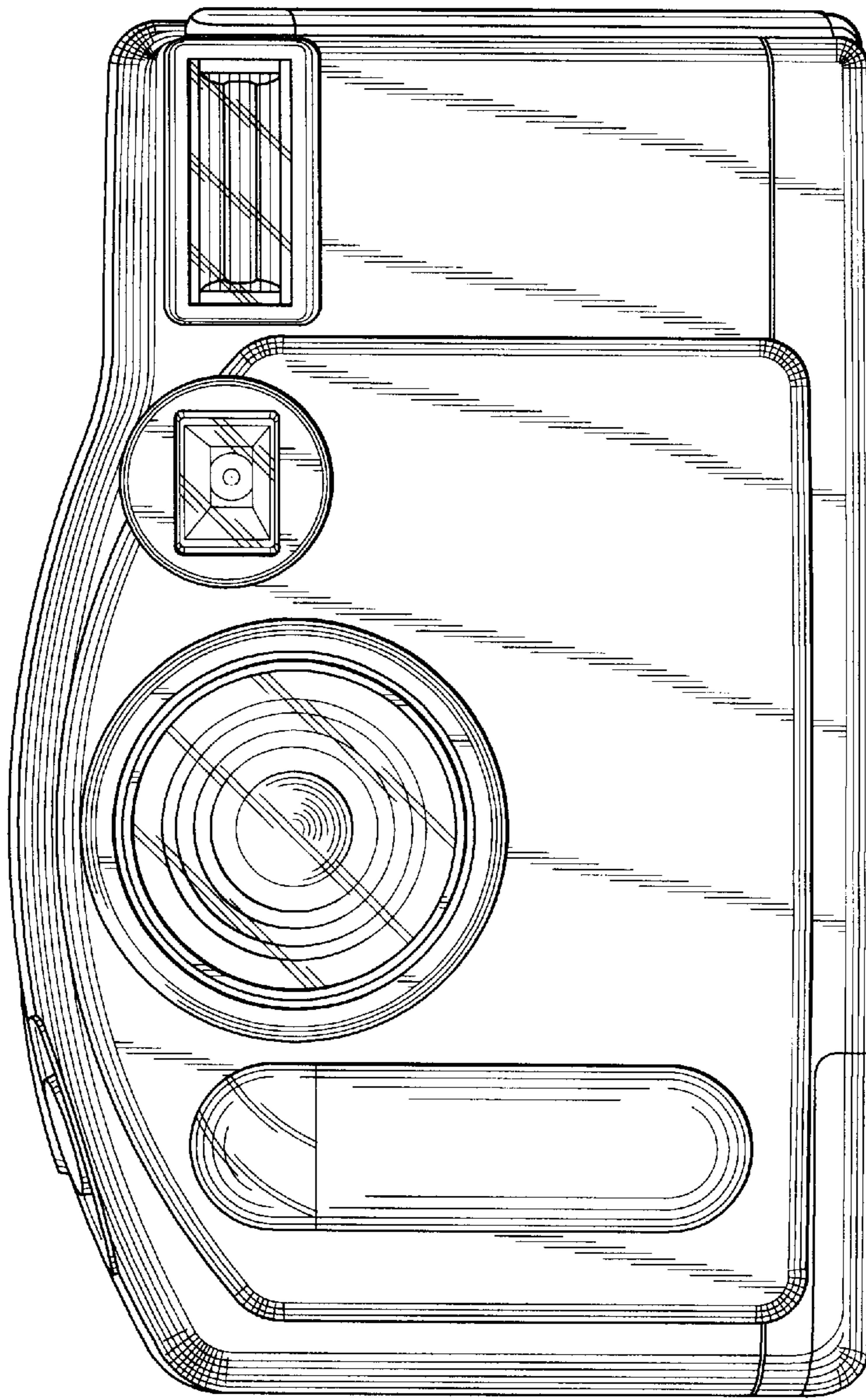


FIG. 3

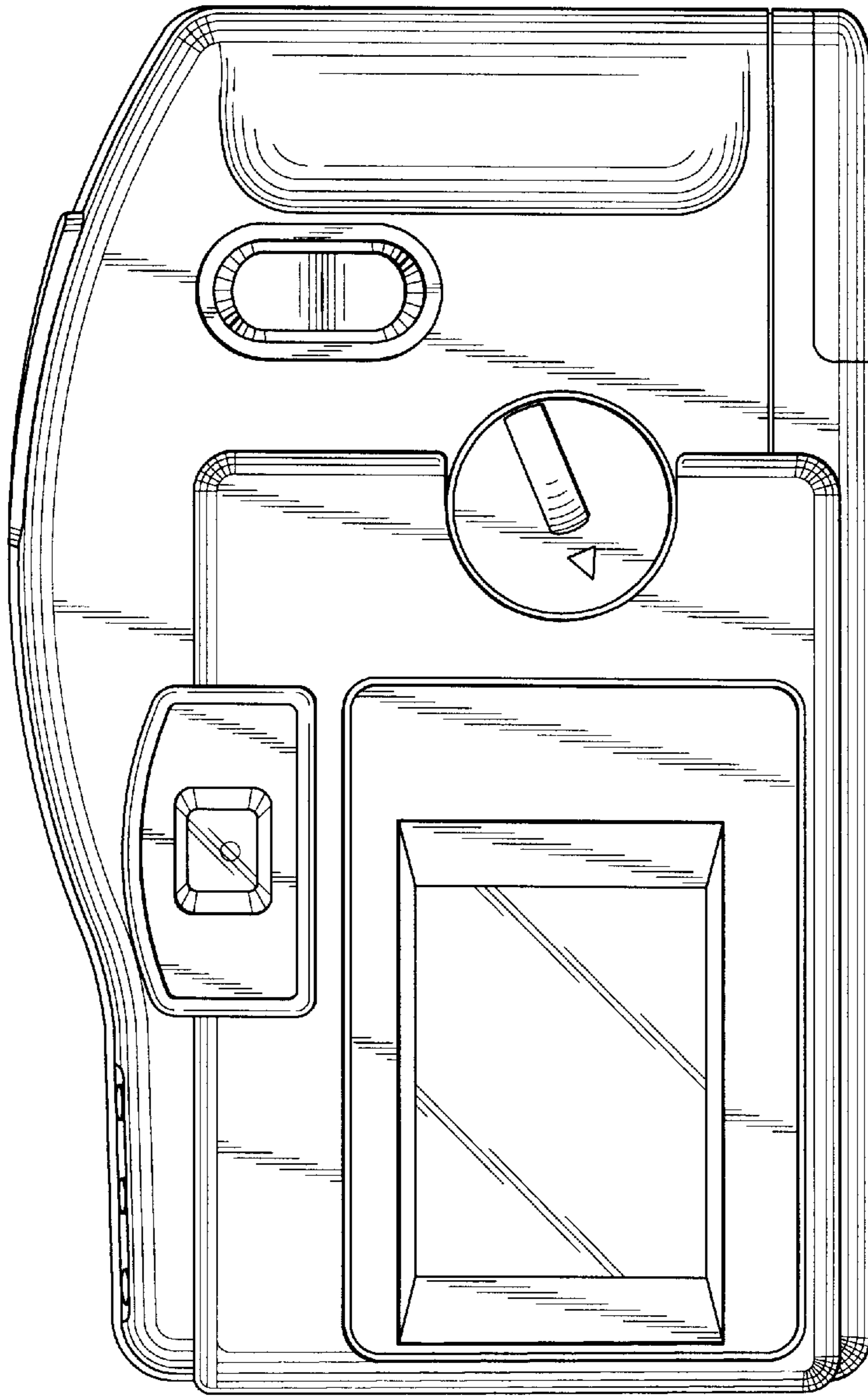


FIG. 4

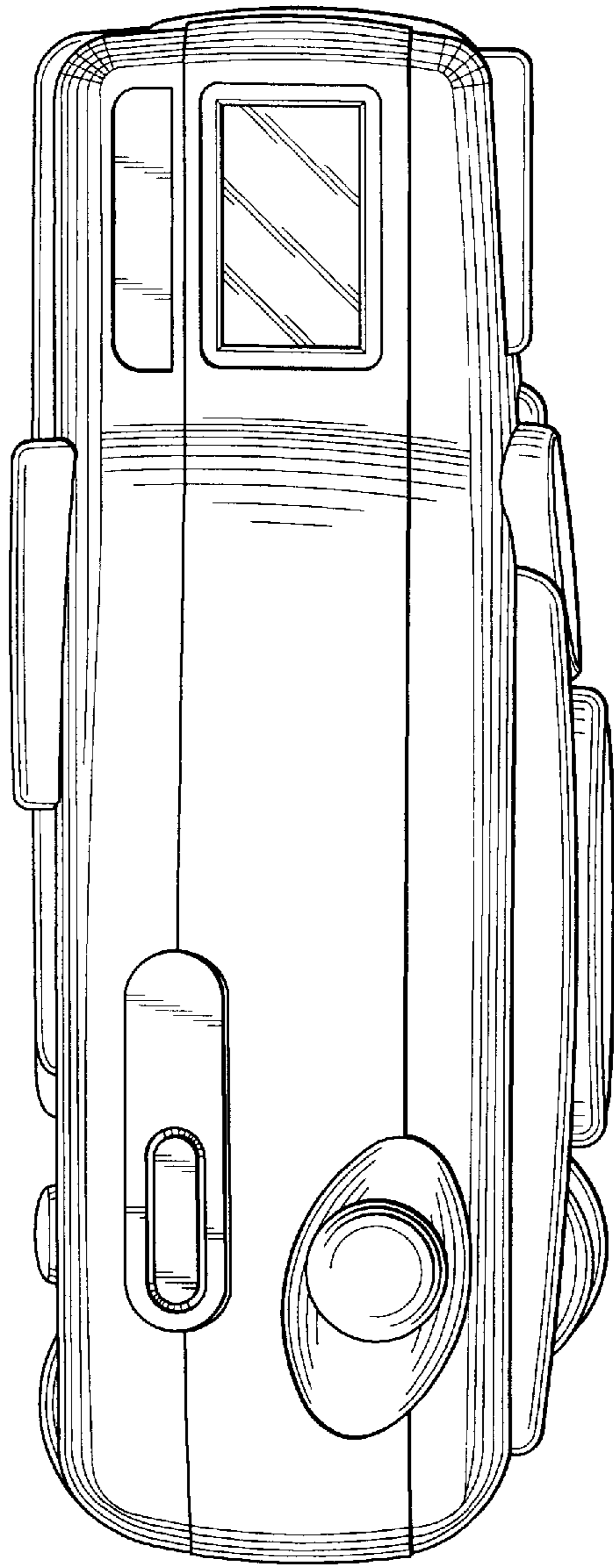


FIG. 5

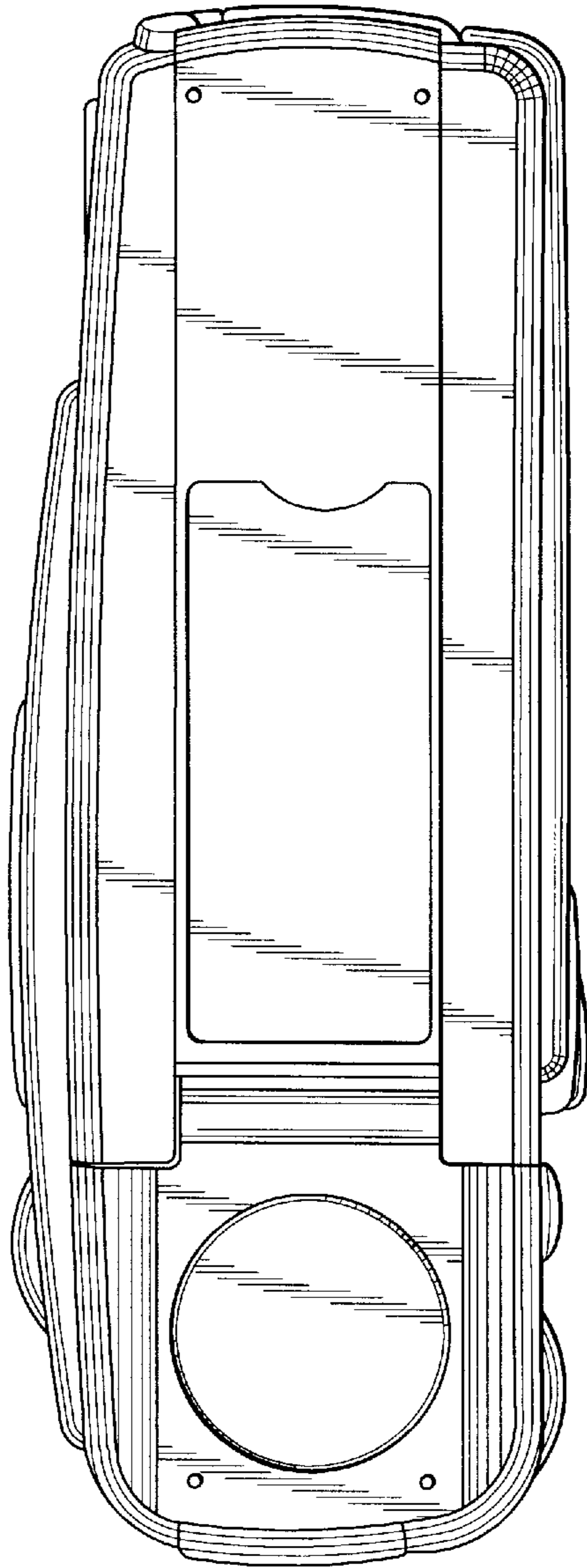


FIG. 6

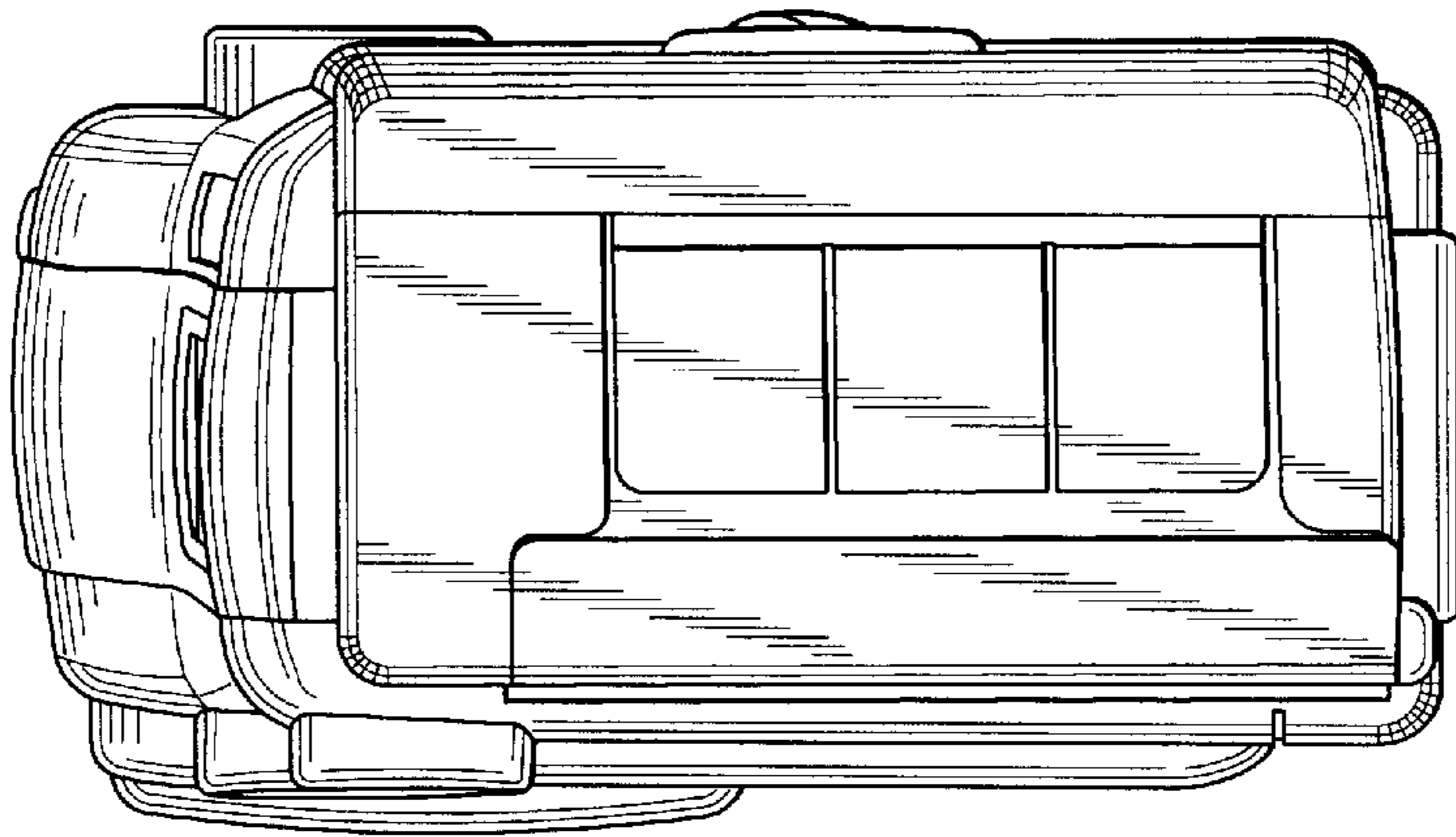


FIG. 7

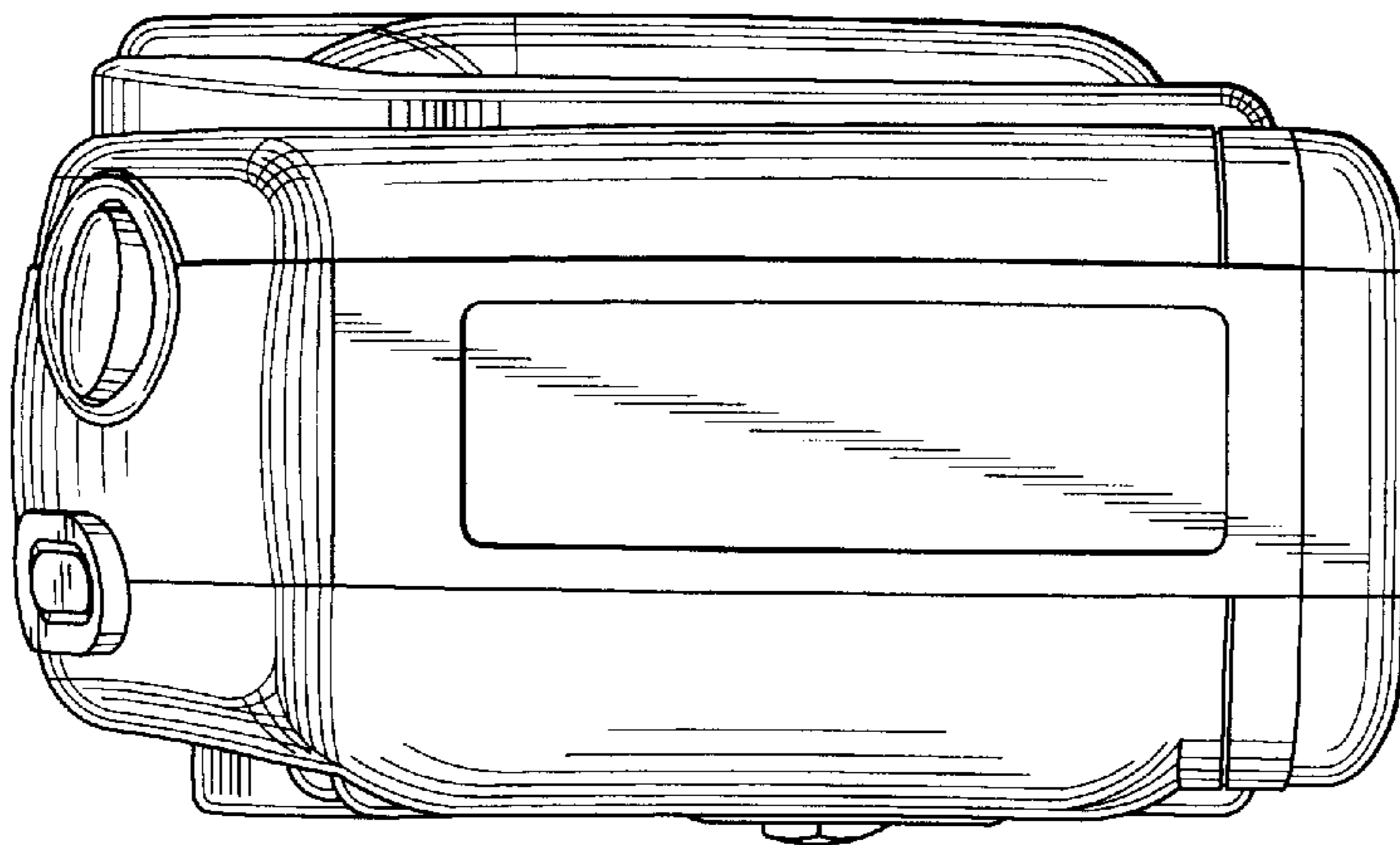


FIG. 8

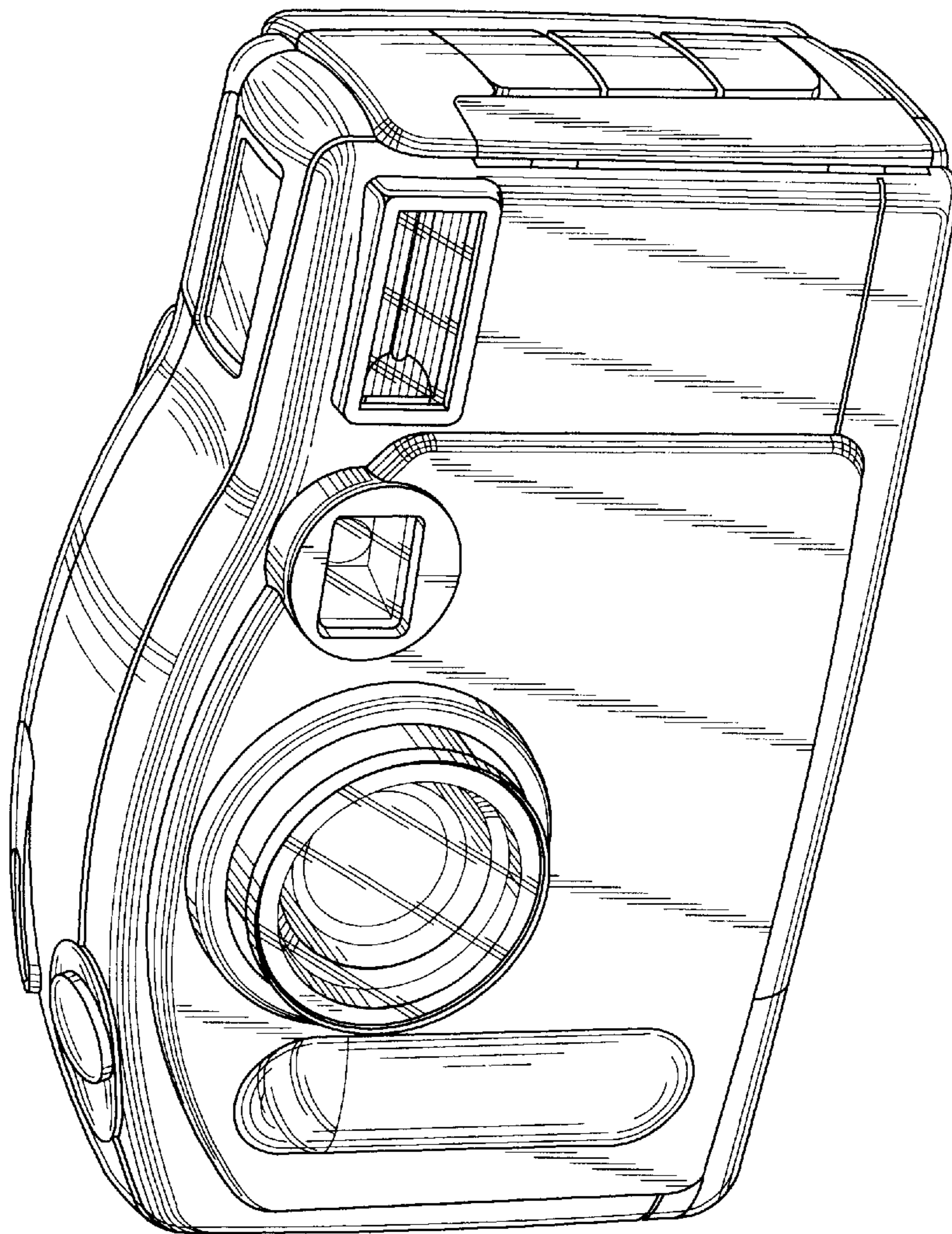


FIG. 9

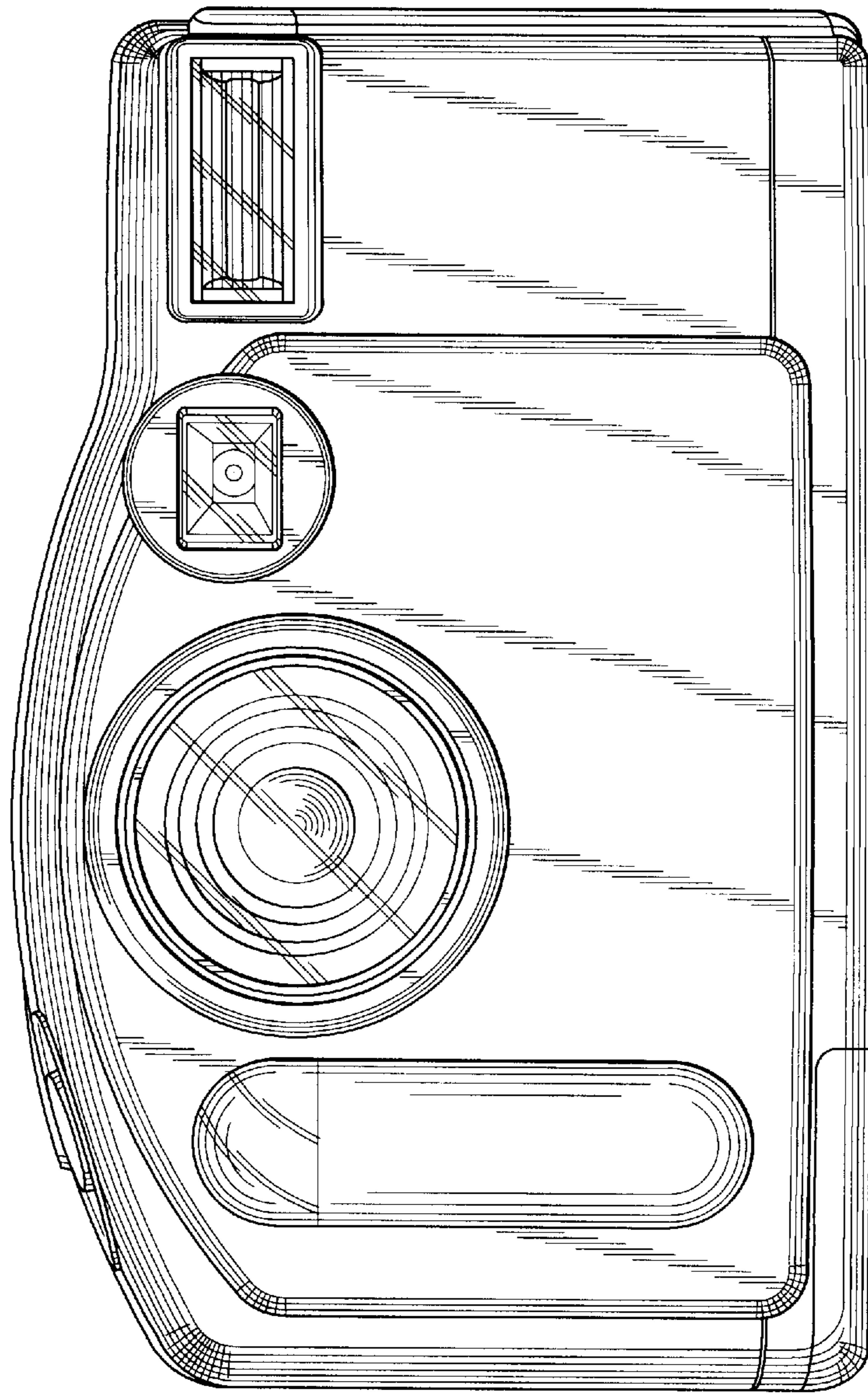


FIG. 10

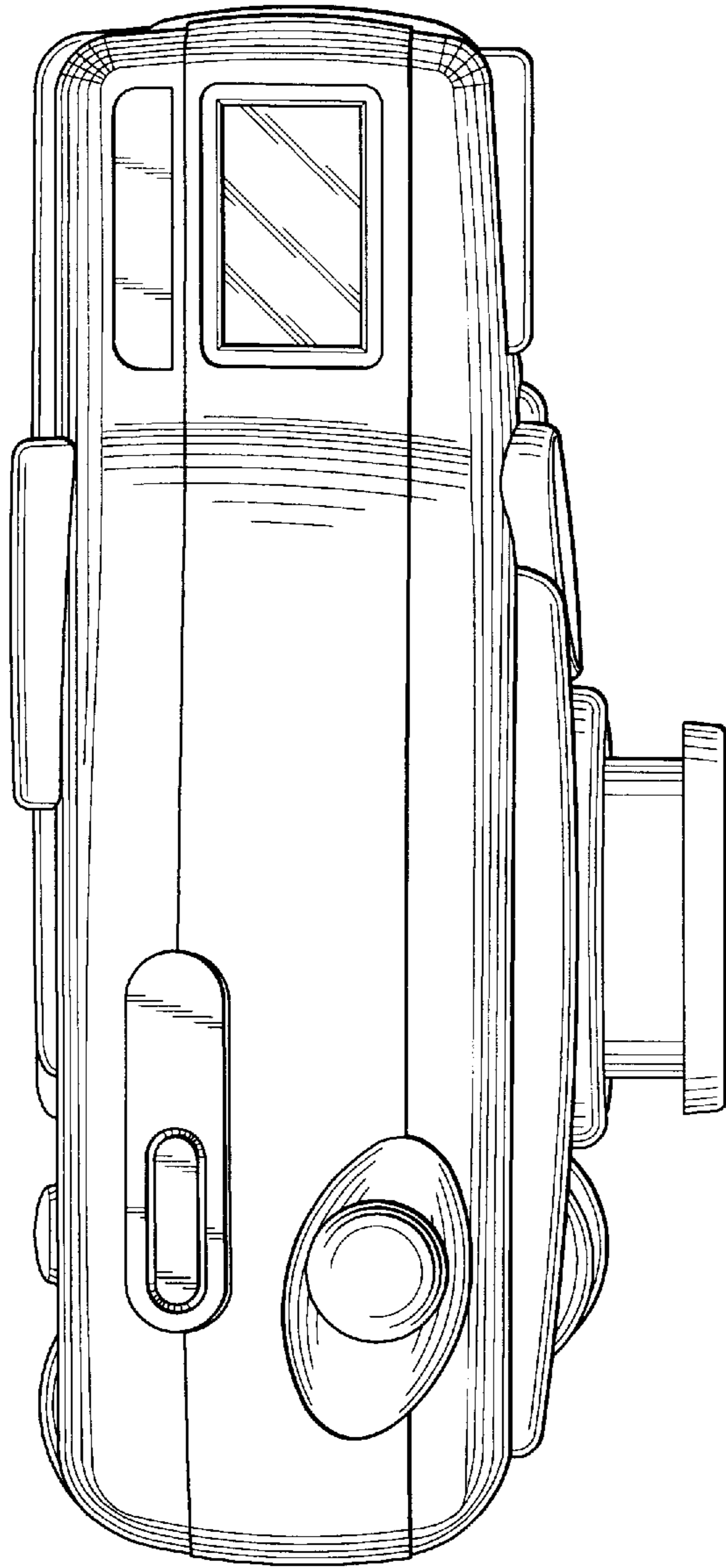


FIG. 11

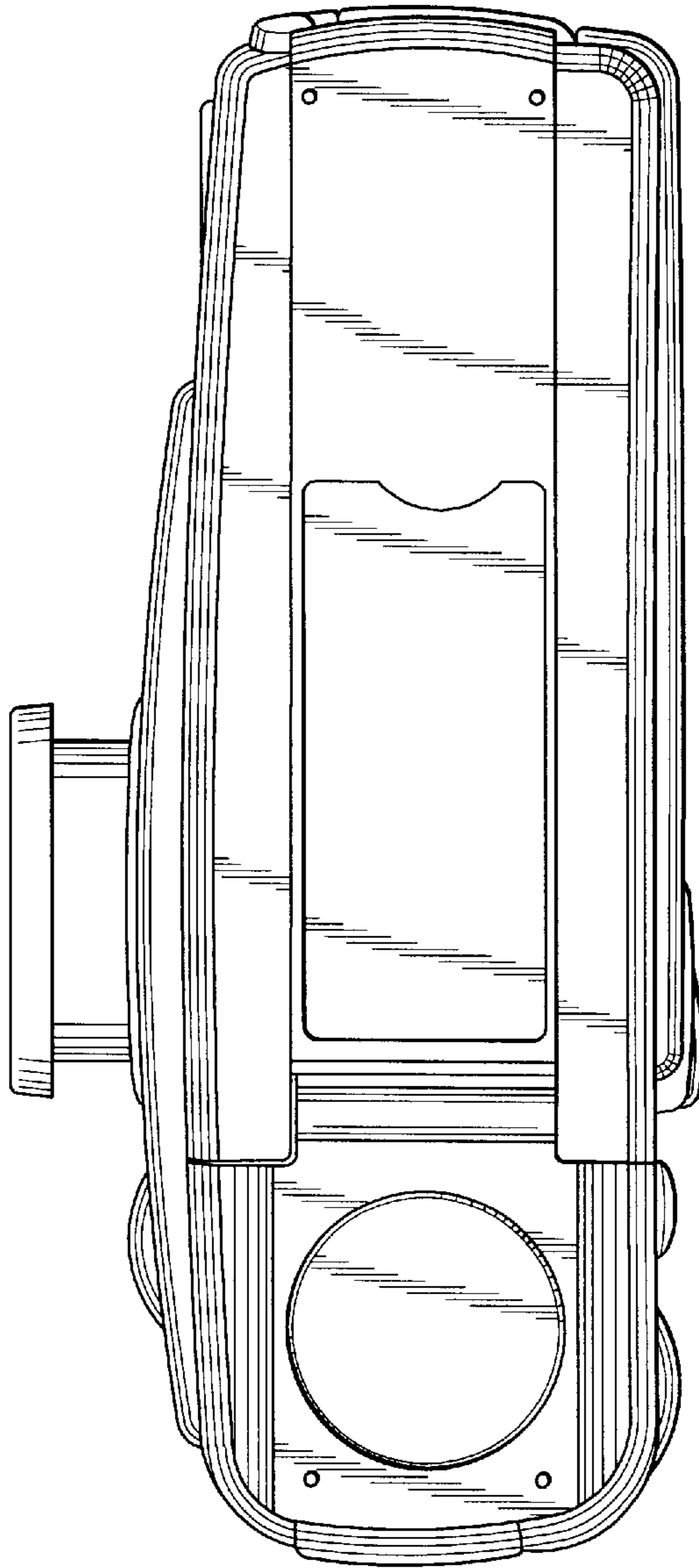


FIG. 12

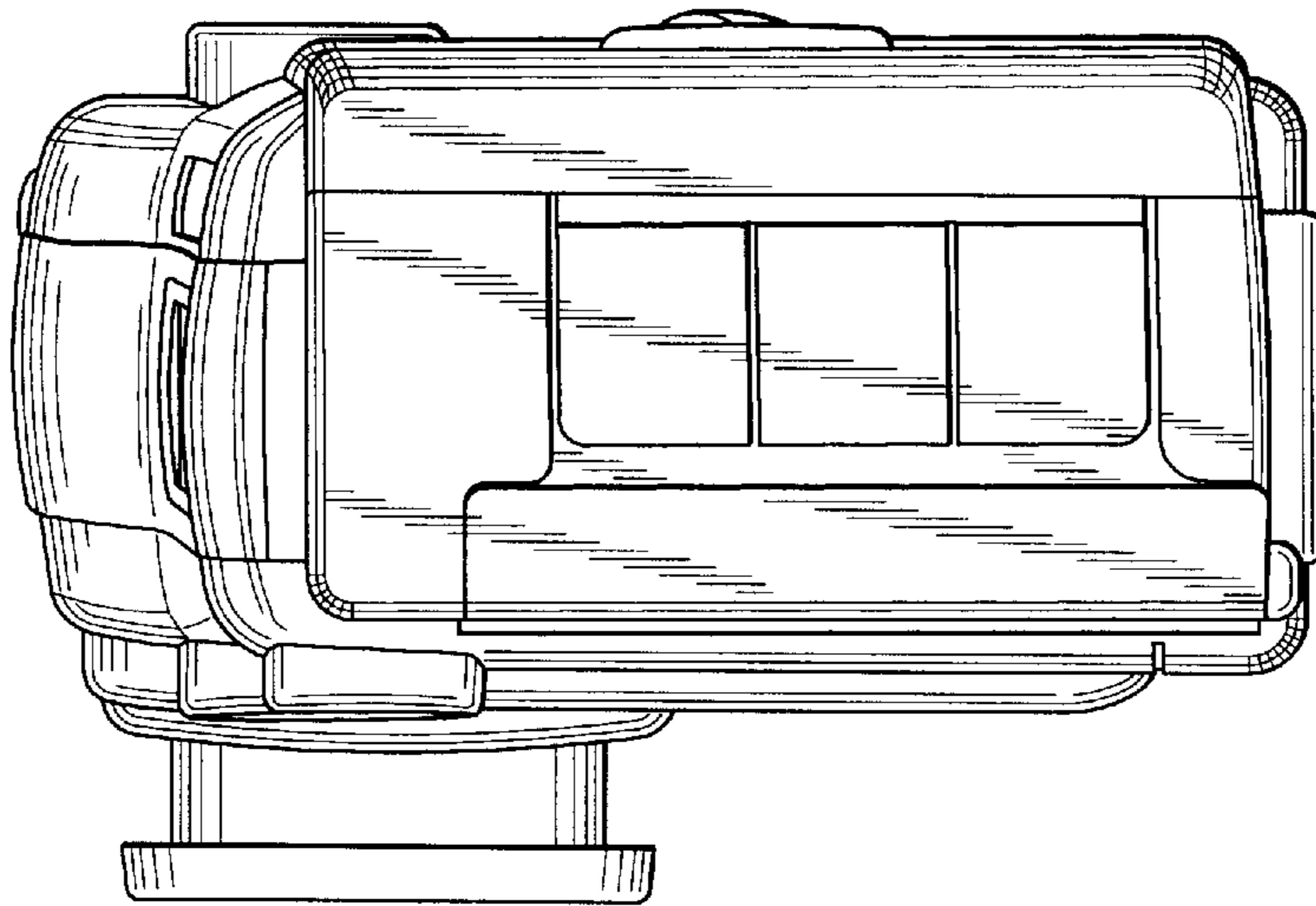


FIG. 13

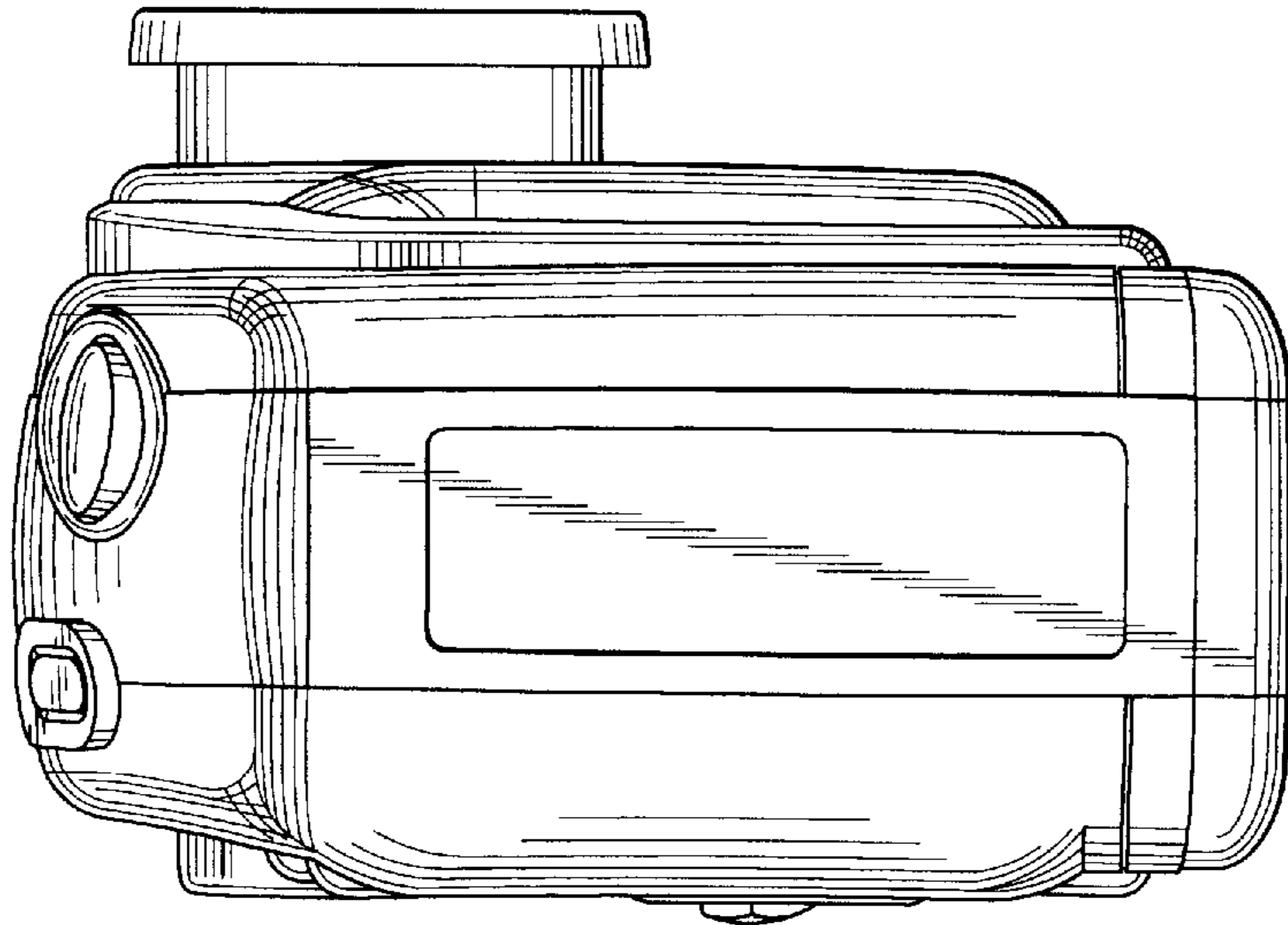


FIG. 14