



US00D406598S

United States Patent [19]
Grijalva

[11] **Patent Number: Des. 406,598**

[45] **Date of Patent: **Mar. 9, 1999**

[54] **MULTIPLE IMAGE, FRONTAL VIEWING AID**

3,535,025 10/1970 Shannon 359/837
4,099,851 7/1978 Rethope 359/647
5,523,889 6/1996 Bewsher 359/710

[76] Inventor: **John Grijalva**, 130 E. Montecito Ave.,
Sierra Madre, Calif. 91024

Primary Examiner—Paula A. Mortimer
Attorney, Agent, or Firm—Albert O. Cota

[**] Term: **14 Years**

[57] **CLAIM**

[21] Appl. No.: **82,538**

The ornamental design for a multiple image, frontal viewing aid, as shown and described.

[22] Filed: **Jan. 26, 1998**

DESCRIPTION

[51] **LOC (6) Cl.** **16-06**

[52] **U.S. Cl.** **D16/134; D16/137**

[58] **Field of Search** D16/130, 135,
D16/136, 137; 359/642, 709, 710, 720,
831, 833, 834, 837, 669

FIG. 1 is a right side elevational view of a multiple image frontal viewing aid showing my new design, the broken line showing of the viewing surface and stand is for illustrative purposes only and forms no part of the claimed design;

FIG. 2 is a front elevational view thereof;

FIG. 3 is a rear elevational view thereof;

FIG. 4 is a right side elevational view thereof; the left side elevational view being a mirror image of the right side elevational view thereof; and,

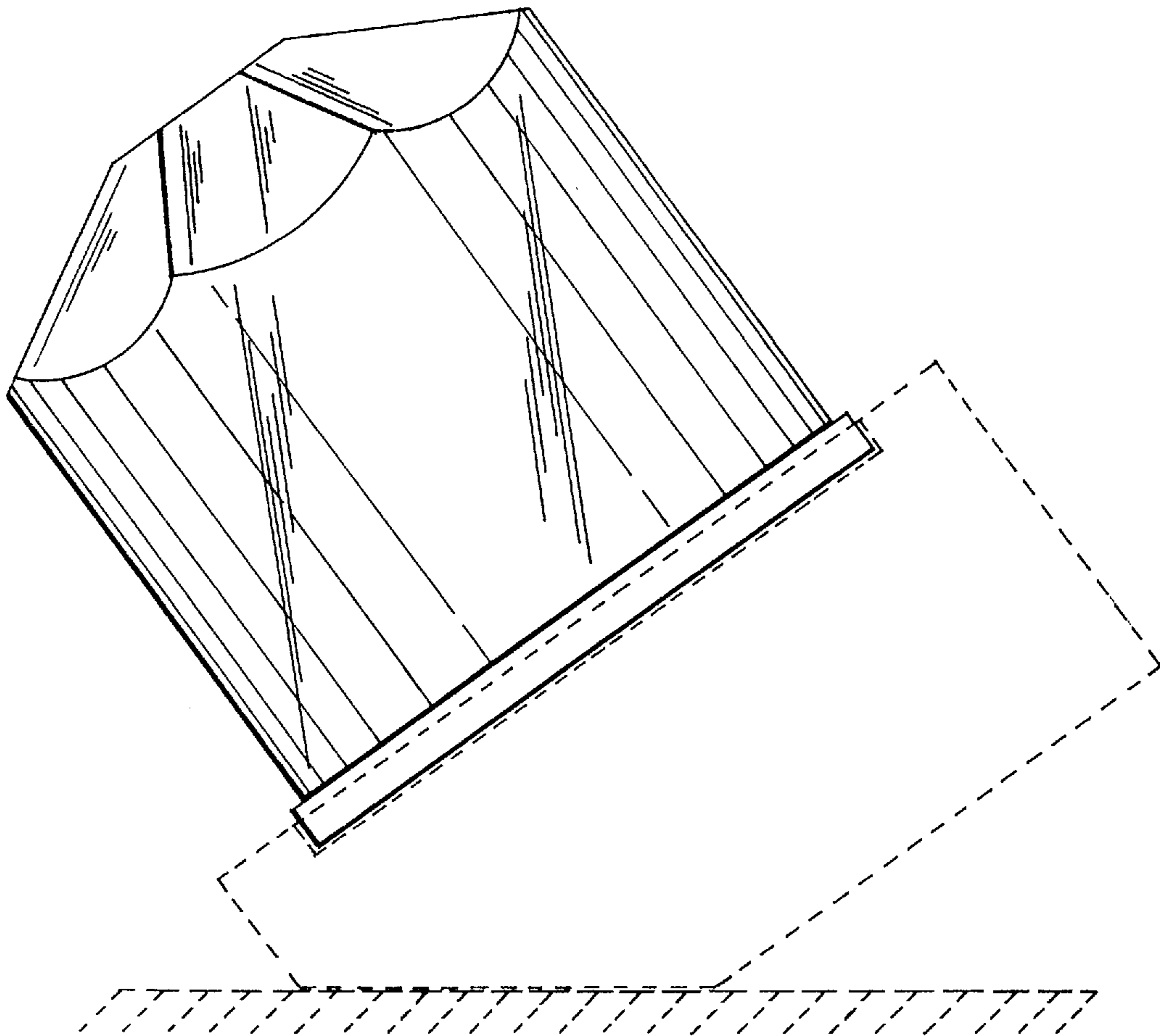
FIG. 5 is a top plan view thereof; the bottom plan view being a mirror image of the top plan view.

[56] **References Cited**

U.S. PATENT DOCUMENTS

D. 145,638	9/1946	Rosenberg	D16/135
D. 173,045	9/1954	Smart	D16/135
D. 285,699	9/1986	Leopoldi	D16/135
2,375,634	5/1945	Dunning	359/669
2,453,064	11/1948	Cressaty	359/669

1 Claim, 3 Drawing Sheets



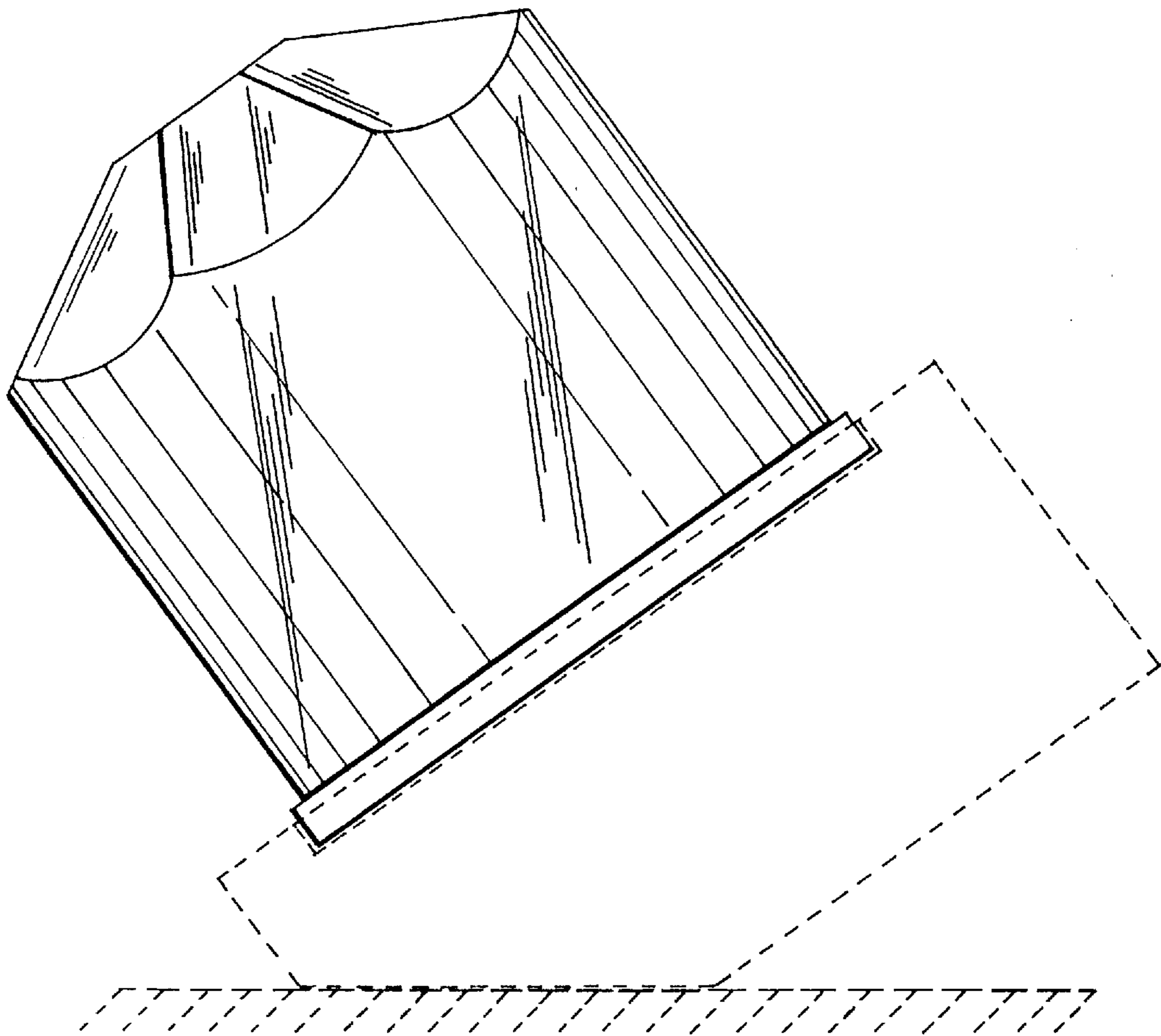


Fig.1

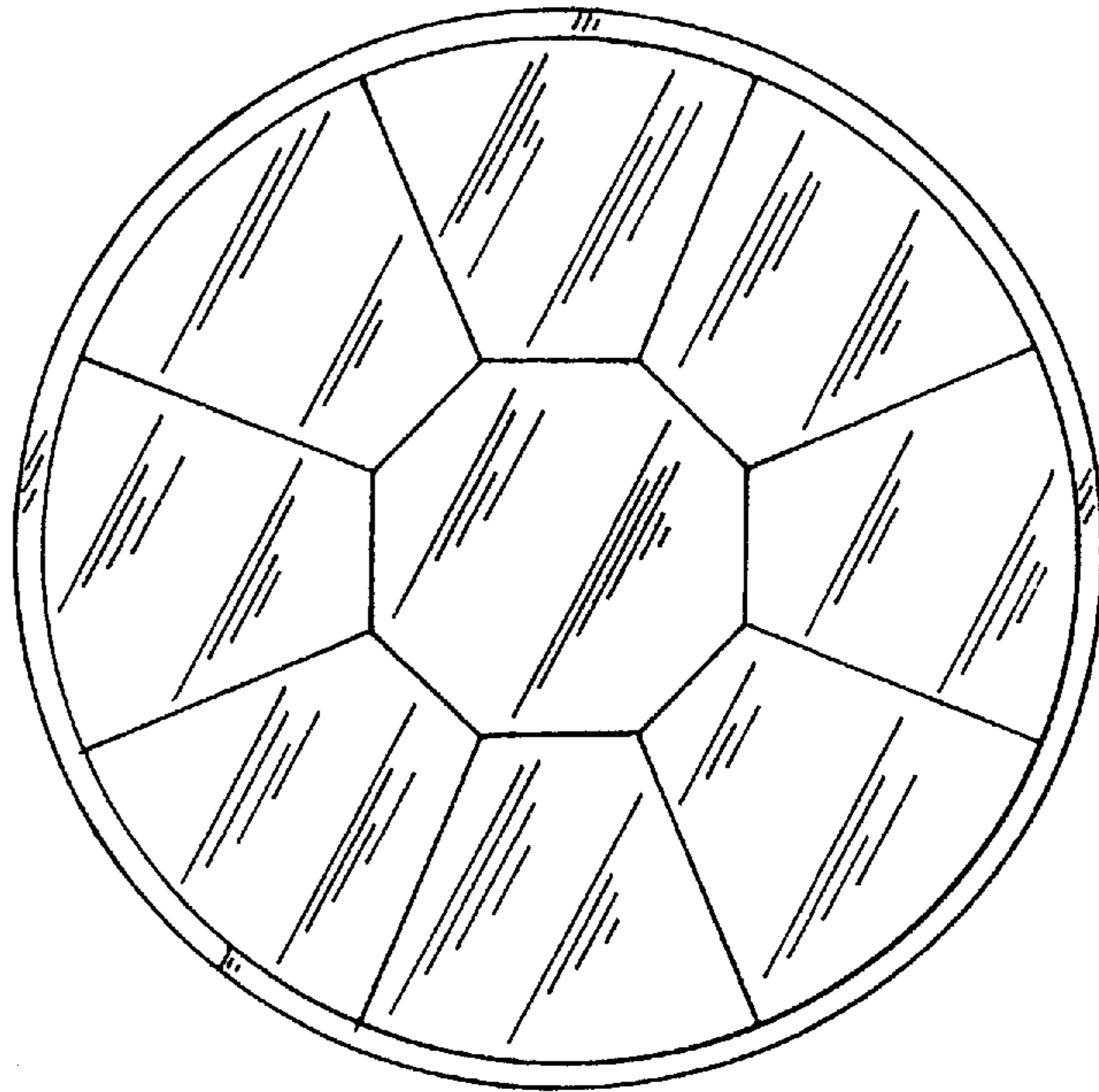


Fig. 2

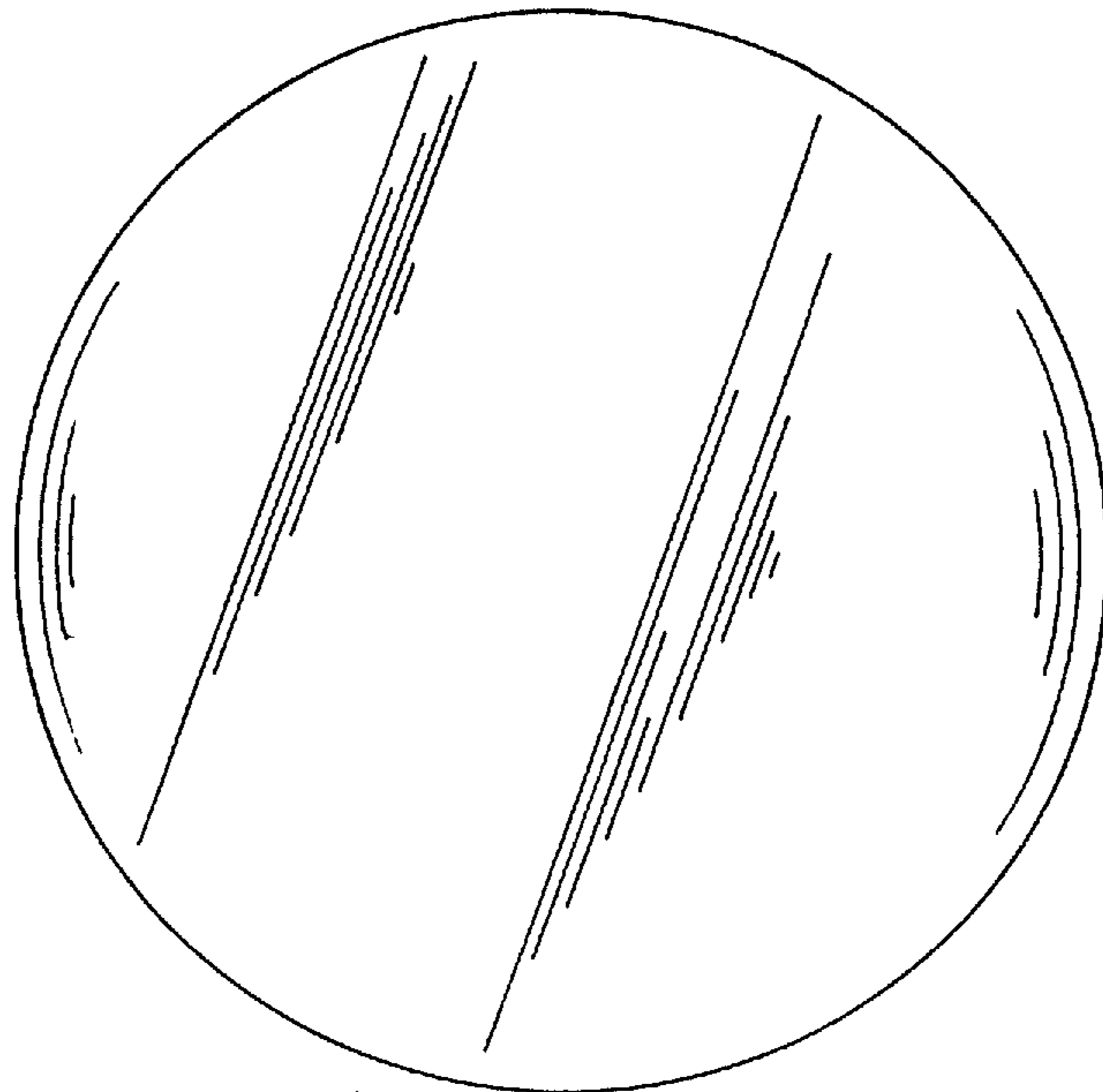


Fig. 3

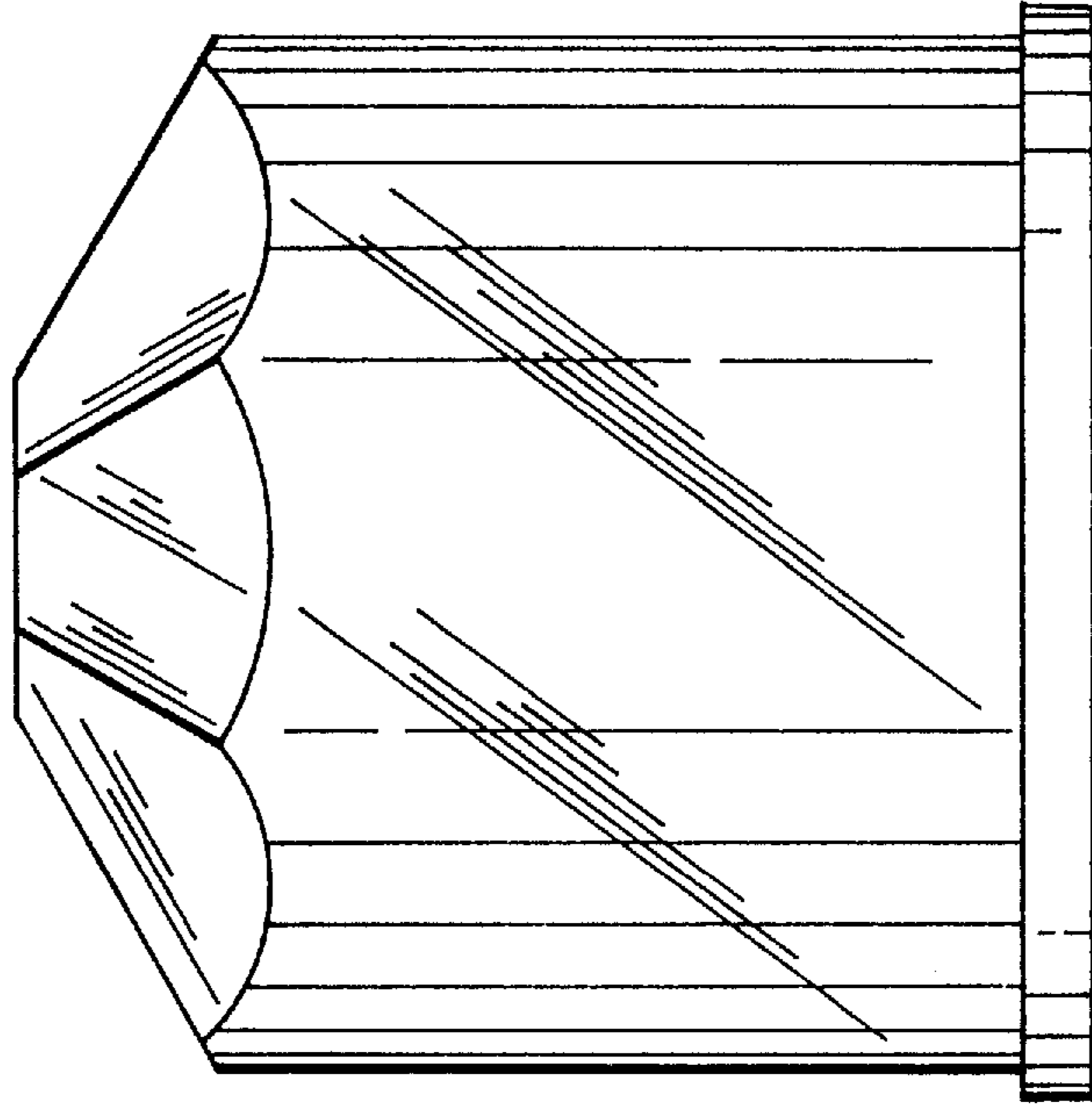


Fig. 4

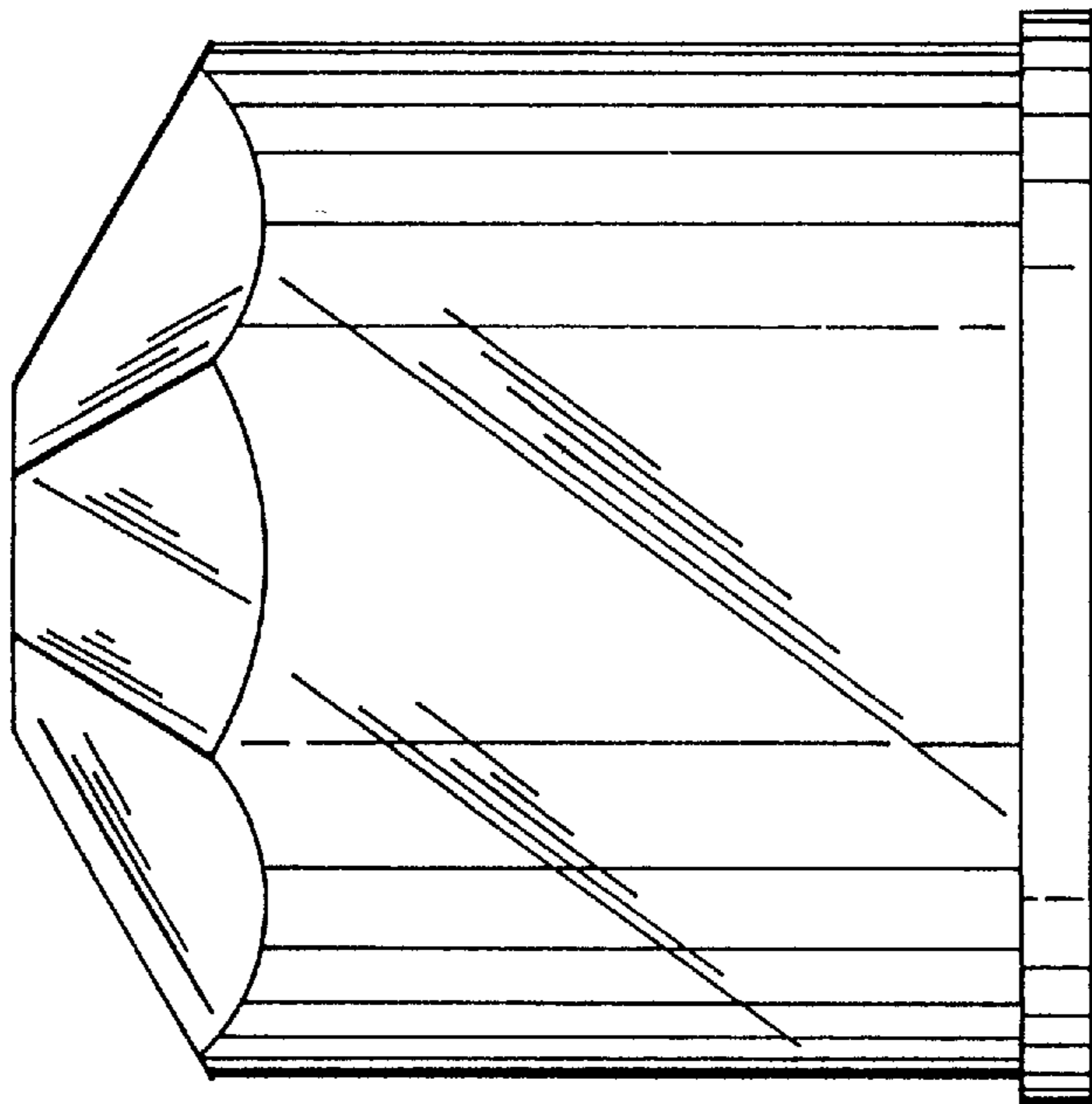


Fig. 5