

US00D406597S

# United States Patent [19]

Kimura et al.

[11] Patent Number: **Des. 406,597**

[45] Date of Patent: **\*\*Mar. 9, 1999**

[54] **BINOCULARS**

[75] Inventors: **Hiroyuki Kimura**, Tanashi; **Masato Hasegawa**, Kawasaki; **Haruhiko Yamanouchi**, Yokohama, all of Japan

[73] Assignee: **Canon Kabushiki Kaisha**, Tokyo, Japan

[\*\*] Term: **14 Years**

[21] Appl. No.: **80,724**

[22] Filed: **Dec. 15, 1997**

[30] **Foreign Application Priority Data**

Jun. 23, 1997 [JP] Japan ..... 9-59096

[51] **LOC (6) Cl.** ..... **16-06**

[52] **U.S. Cl.** ..... **D16/133**

[58] **Field of Search** ..... D16/132, 133, D16/200, 201, 206, 207; 359/407, 408, 409, 415, 416, 417, 418, 419, 420

[56] **References Cited**

**U.S. PATENT DOCUMENTS**

- D. 306,606 3/1990 Yamanaka et al. .... D16/133
- D. 311,748 10/1990 Kwon ..... D16/133
- D. 353,388 12/1994 Matsushita ..... D16/133

- D. 359,973 7/1995 Hayamizu ..... D16/133
- D. 364,631 11/1995 Hamamura ..... D16/133
- D. 365,832 1/1996 Miyahara et al. .... D16/133
- D. 376,164 12/1996 Hasegawa et al. .... D16/133
- D. 376,167 12/1996 Hayamizu ..... D16/133
- D. 383,474 9/1997 Hashimoto ..... D16/133
- D. 394,666 5/1998 Ono ..... D16/133
- D. 395,905 7/1998 Hamamura ..... D16/133
- 4,171,865 10/1979 Kamakura ..... 359/414
- 5,644,426 7/1997 Hotta ..... 359/409

*Primary Examiner*—Paula A. Mortimer  
*Attorney, Agent, or Firm*—Fitzpatrick, Cella, Harper & Scinto

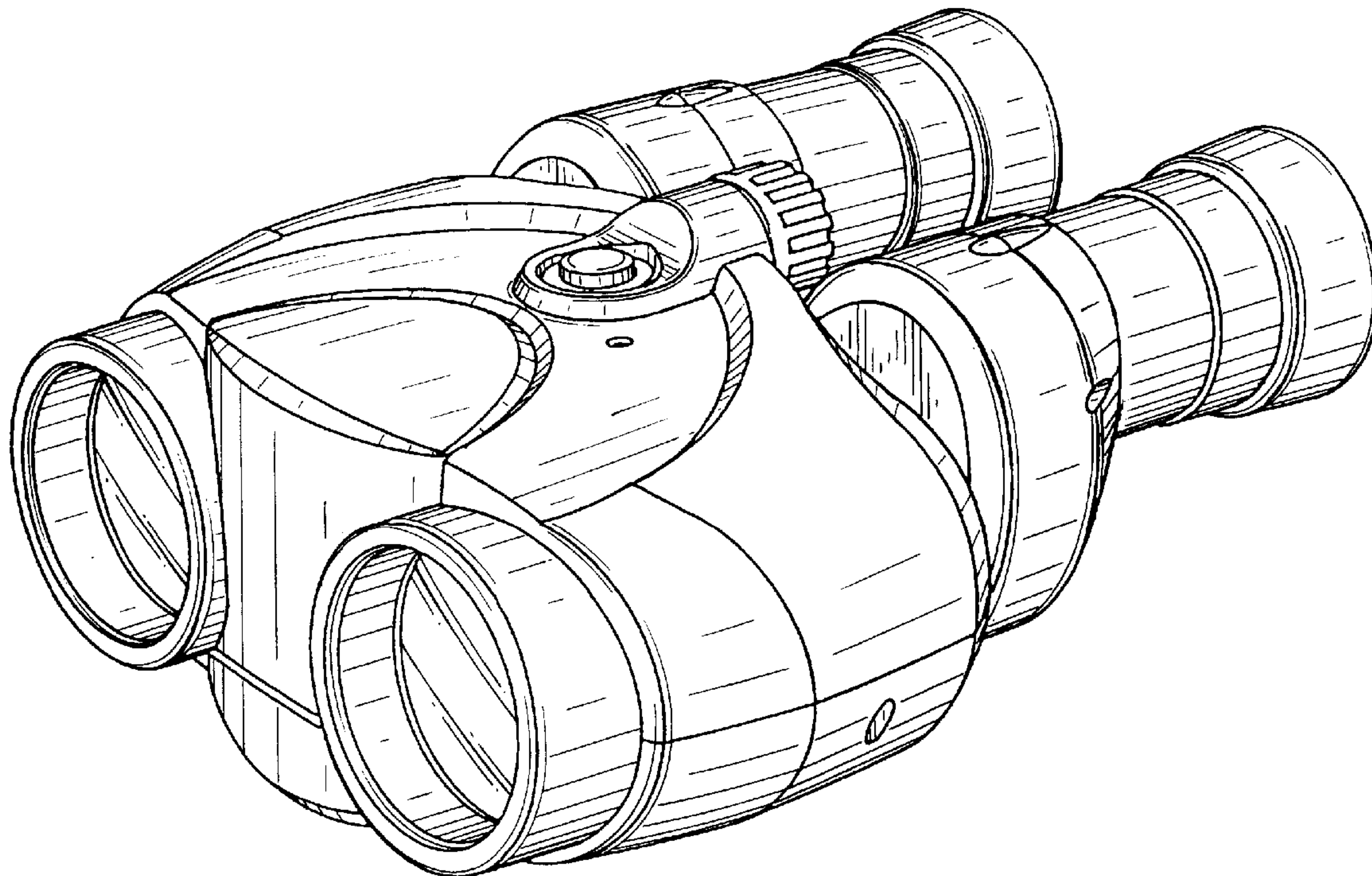
[57] **CLAIM**

The ornamental design for binoculars, as shown and described.

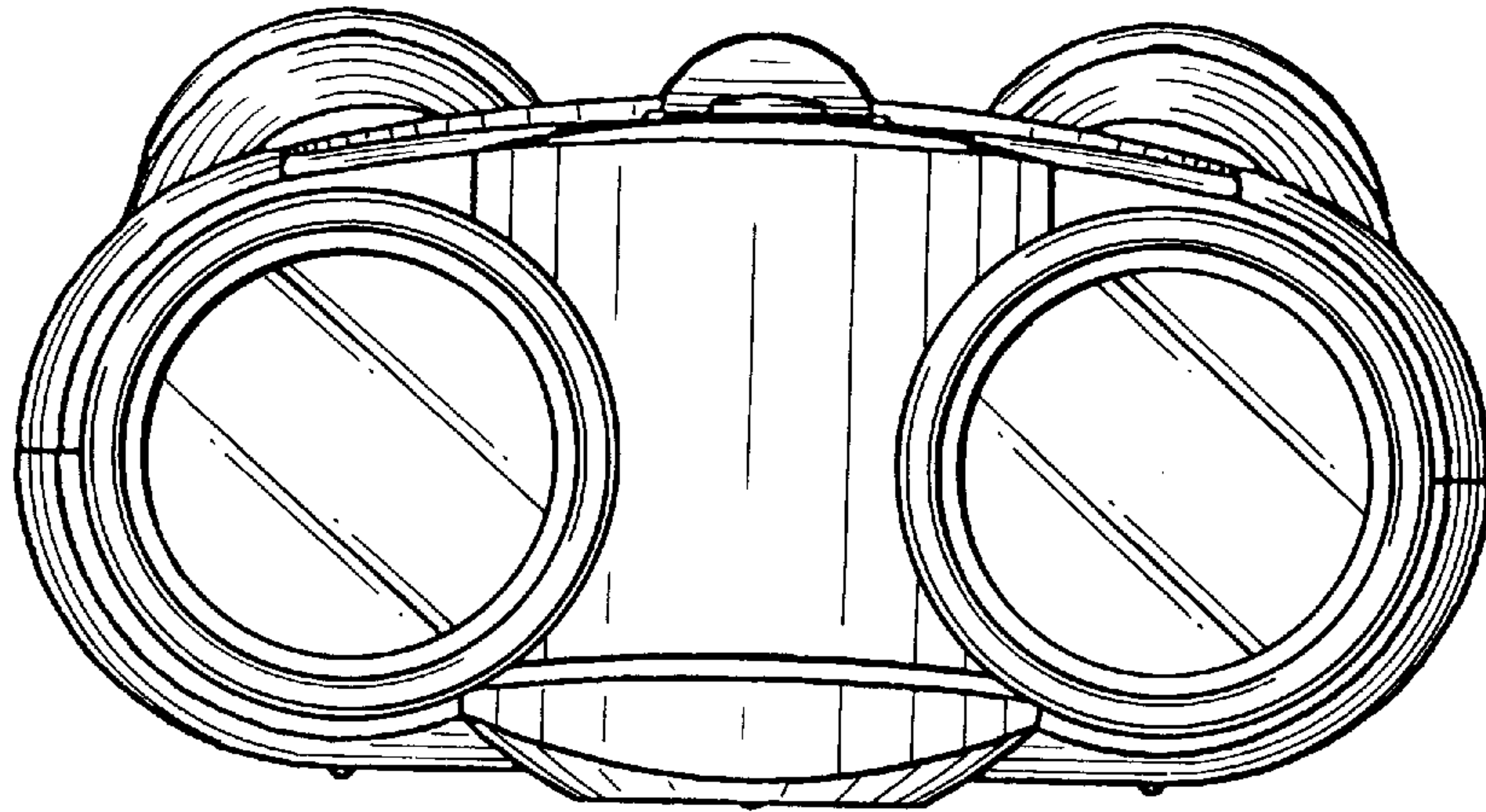
**DESCRIPTION**

FIG. 1 is a front view of binoculars showing our new design; FIG. 2 is a rear view thereof; FIG. 3 is a top plan view thereof; FIG. 4 is a bottom plan view thereof; FIG. 5 is a left side view thereof; FIG. 6 is a right side view thereof; and, FIG. 7 is a perspective view thereof.

**1 Claim, 4 Drawing Sheets**



*FIG. 1*



*FIG. 2*

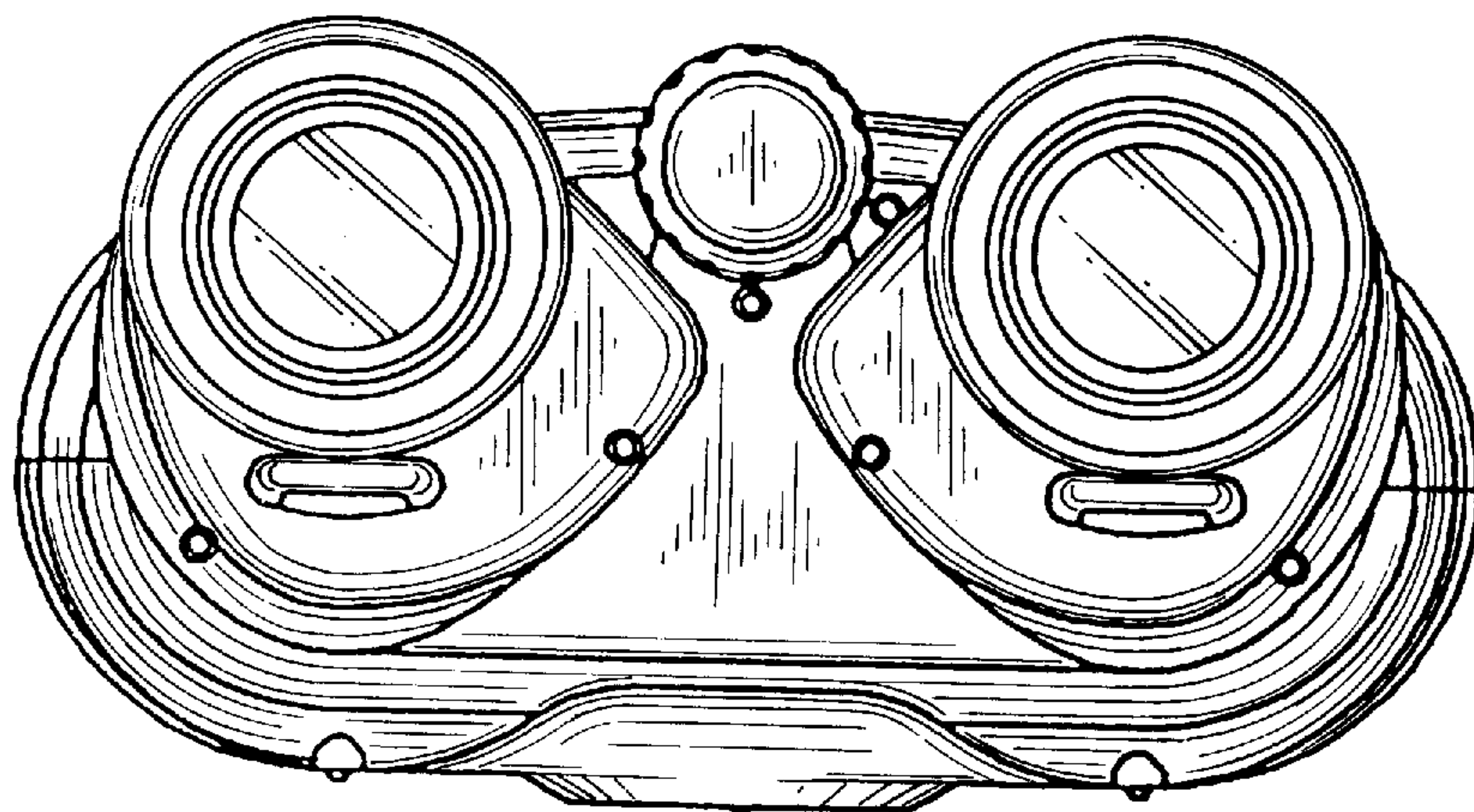




FIG. 4

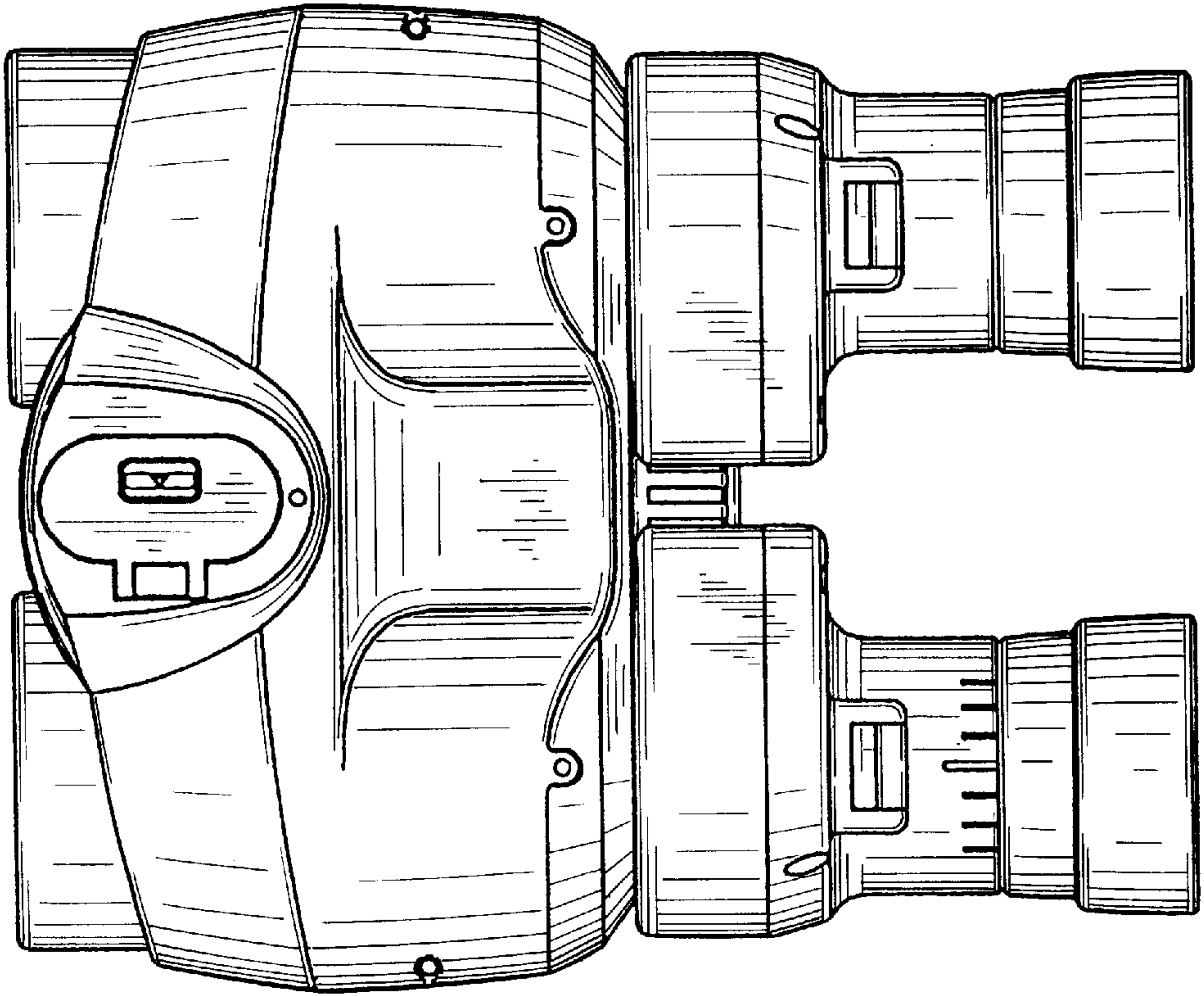


FIG. 3

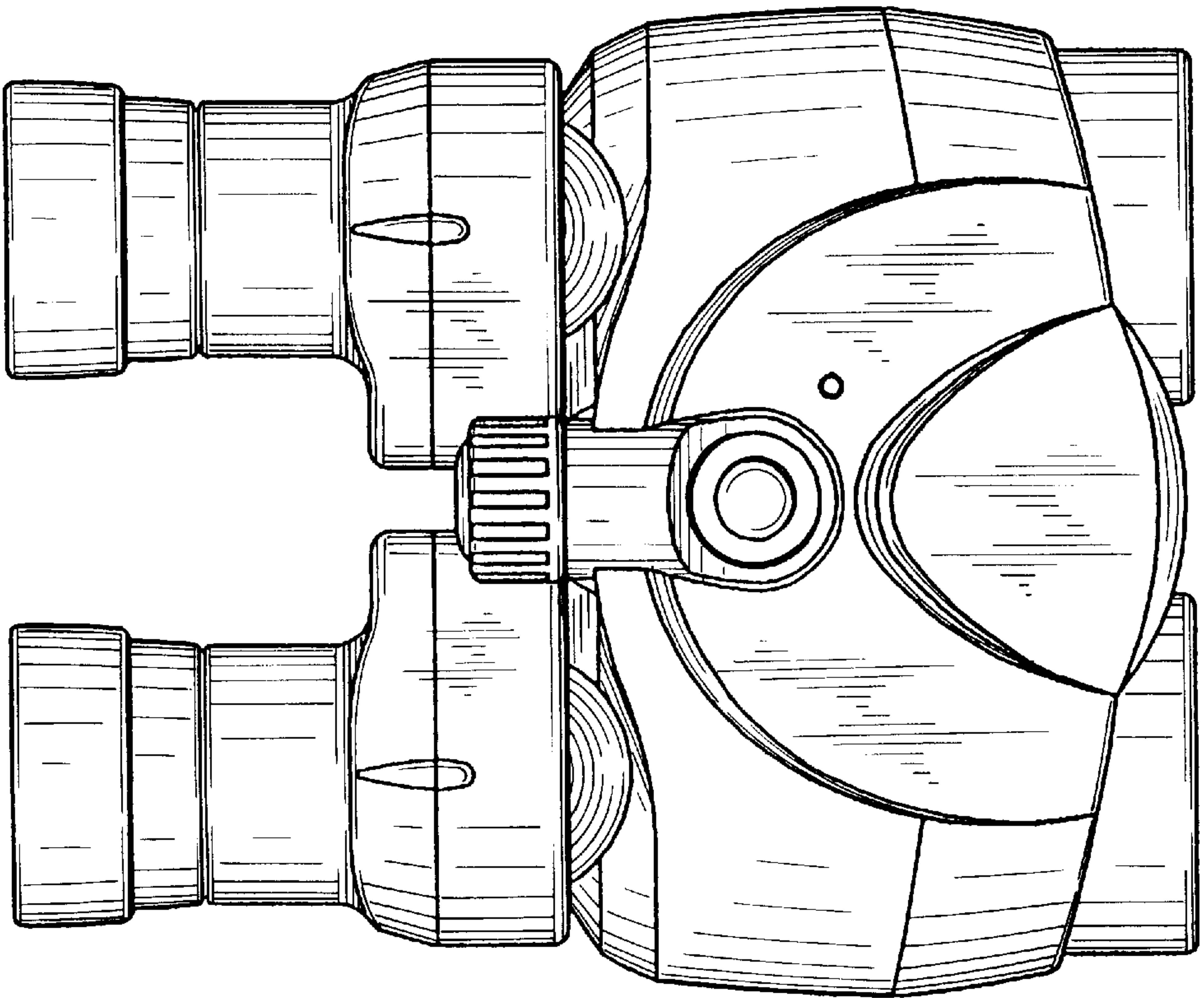


FIG. 5

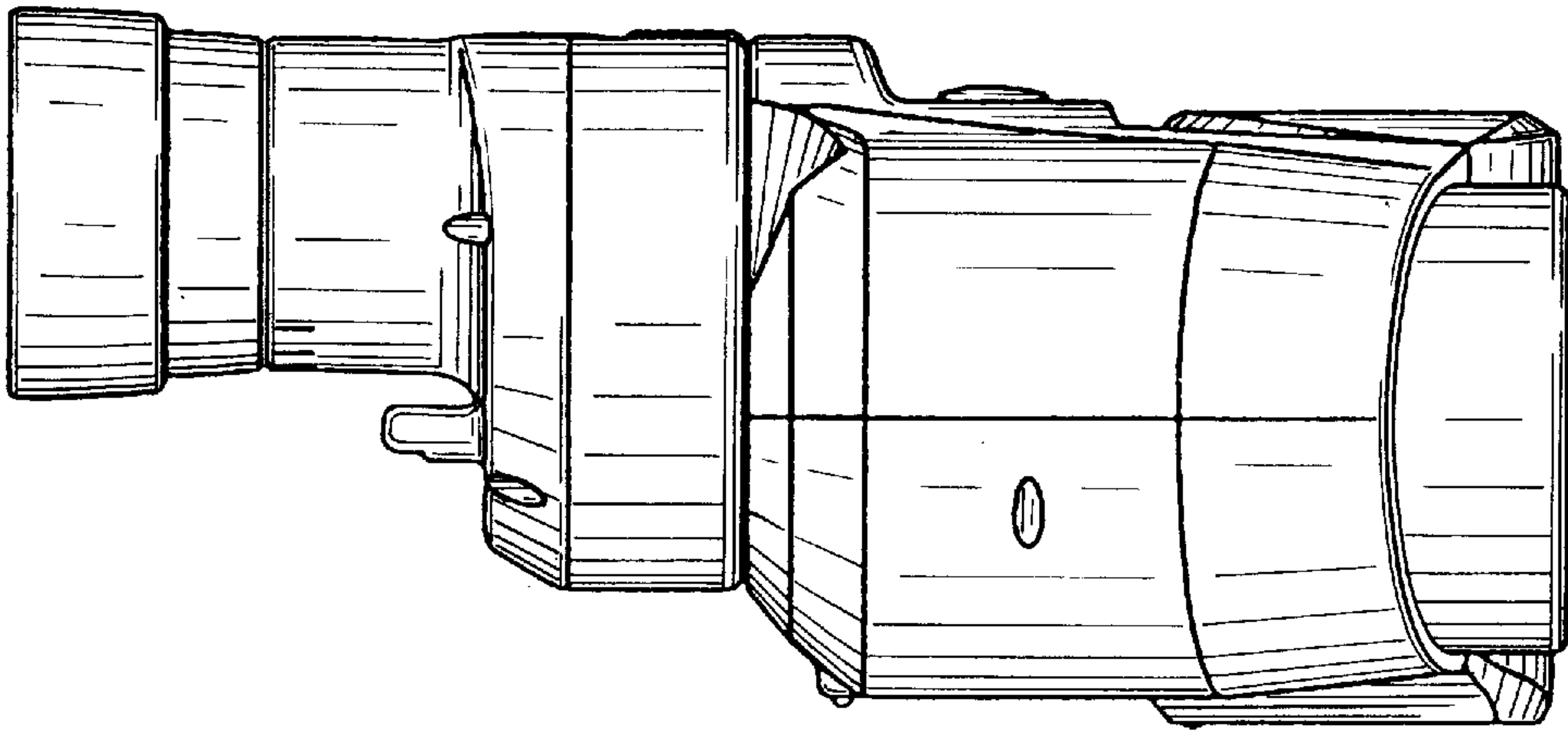


FIG. 6

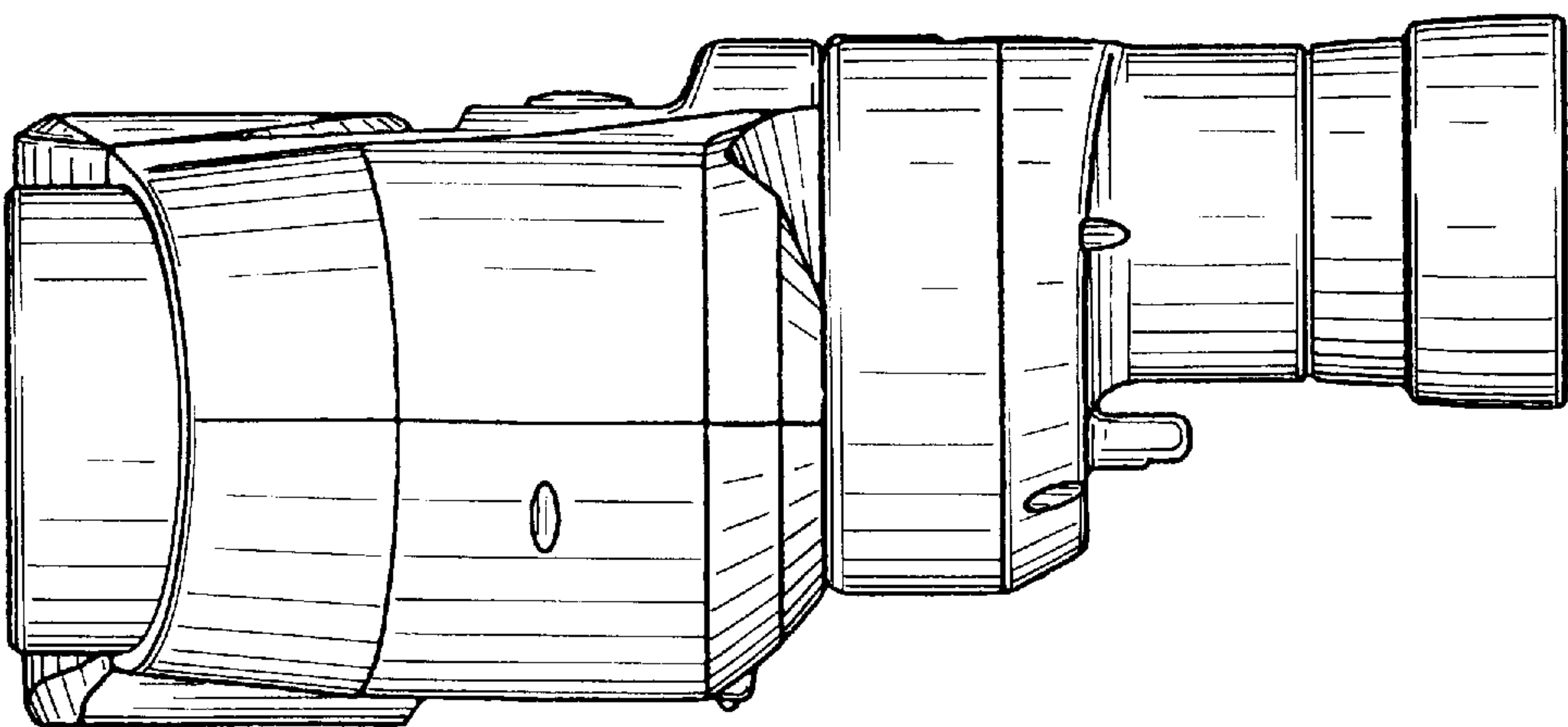


FIG. 7

