



US00D406596S

United States Patent [19]

Ziegler et al.

[11] Patent Number: Des. 406,596

[45] Date of Patent: **Mar. 9, 1999

[54] GEAR UNIT

[75] Inventors: Rolf Ziegler, Premia de Mar, Spain;
Dieter Ebert, Wilhelmsfeld, Germany

[73] Assignee: Mectrol GmbH, Darmstadt, Germany

[**] Term: 14 Years

[21] Appl. No.: 84,988

[22] Filed: Mar. 12, 1998

[30] Foreign Application Priority Data

Sep. 15, 1997 [DE] Germany M 97 08 702.5

[51] LOC (6) Cl. 15-04

[52] U.S. Cl. D15/148; D15/199

[58] Field of Search D15/148, 149,
D15/199; 74/409, 606 R, 606 A; 475/345

[56] References Cited

U.S. PATENT DOCUMENTS

D. 368,919 4/1996 Lannoch D15/148

Primary Examiner—Antoine Duval Davis
Attorney, Agent, or Firm—Pennie & Edmonds LLP

[57] CLAIM

The ornamental design for a gear unit, as shown and described.

DESCRIPTION

FIG. 1 is a front-side-top perspective view of a gear unit showing a first embodiment of our new design; FIG. 2 is a rear-side-top perspective view of the embodiment of FIG. 1; FIG. 3 is a front view of the embodiment of FIG. 1; FIG. 4 is a rear view of the embodiment of FIG. 1; FIG. 5 is a view of one side of the embodiment of FIG. 1, with the appearance of the other side, the top, and the bottom of the gear unit being identical to this figure; and, FIG. 6 is a side view of a gear unit showing a second embodiment of our new design, with the appearance of the other side, the top, and the bottom of the gear unit being identical to this Figure.

1 Claim, 3 Drawing Sheets

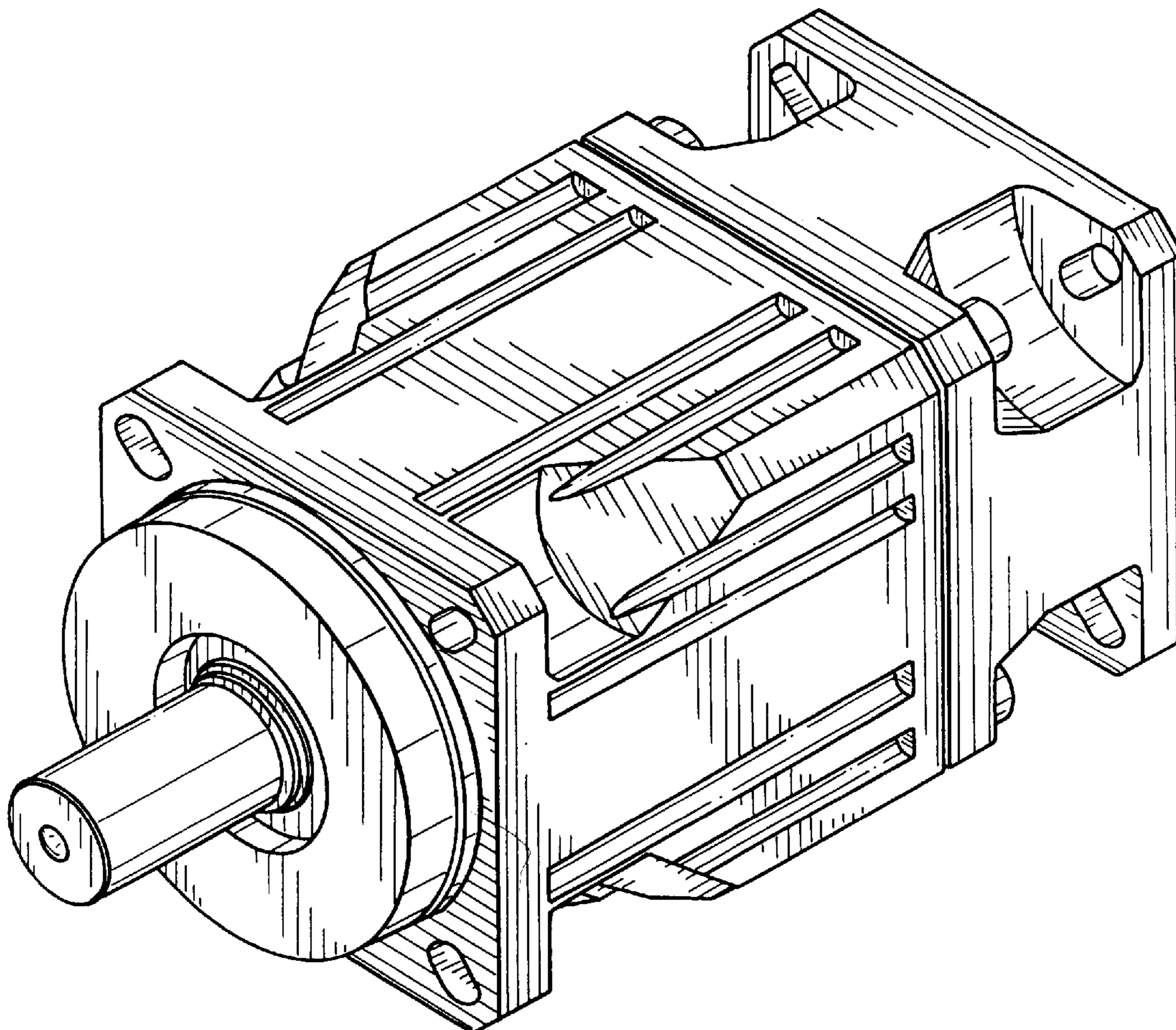


FIG. 1

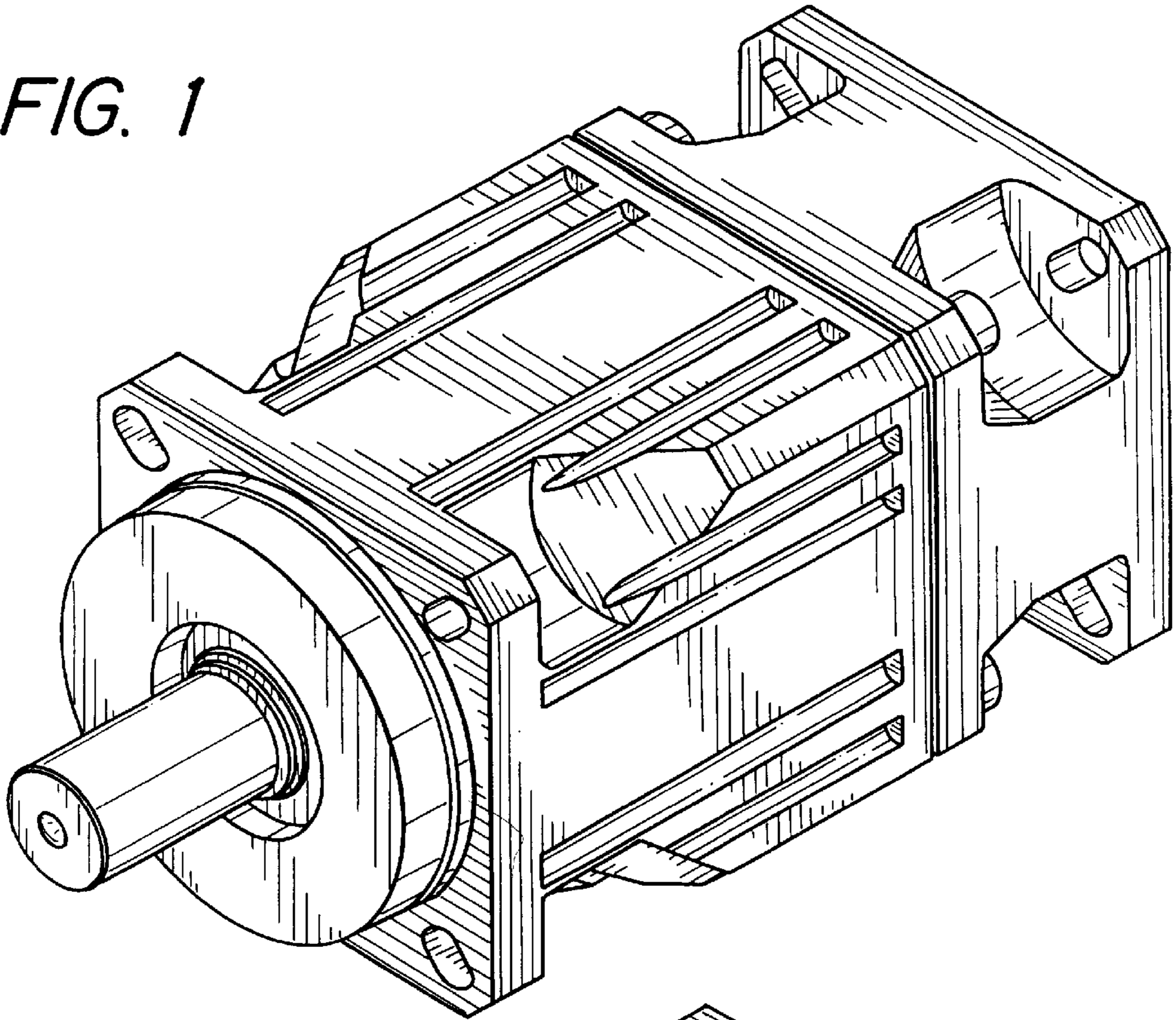


FIG. 2

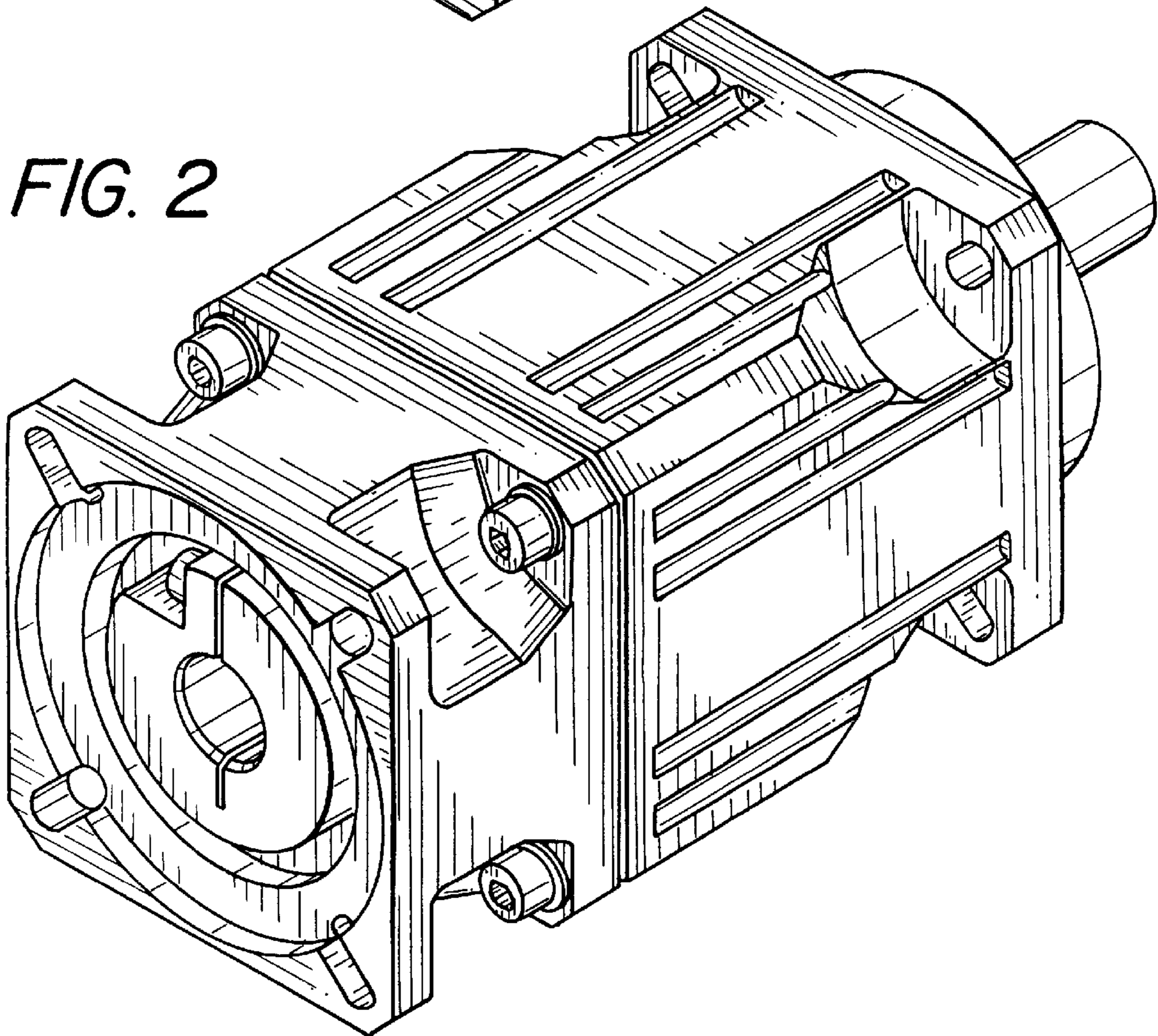


FIG. 3

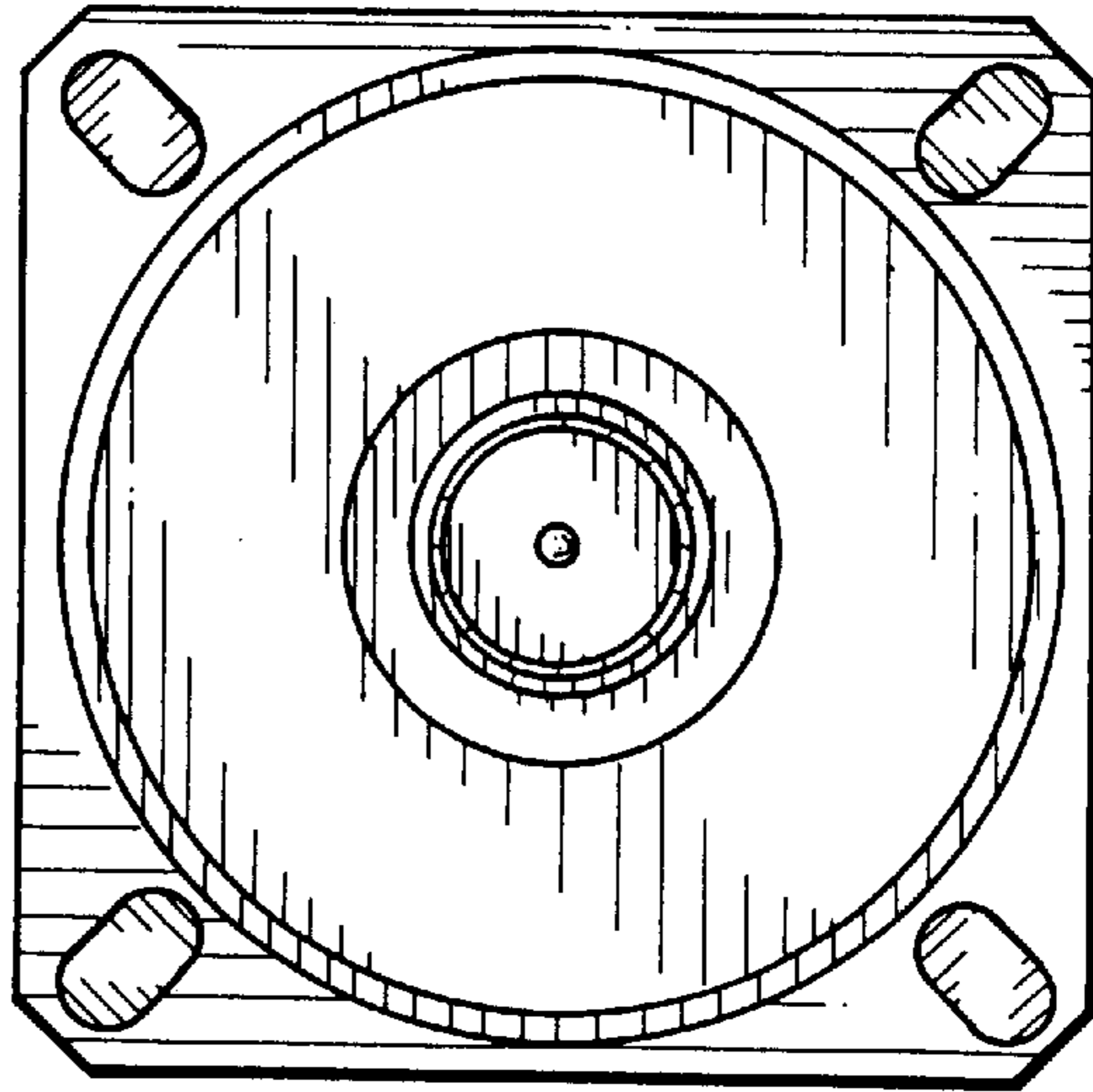


FIG. 4

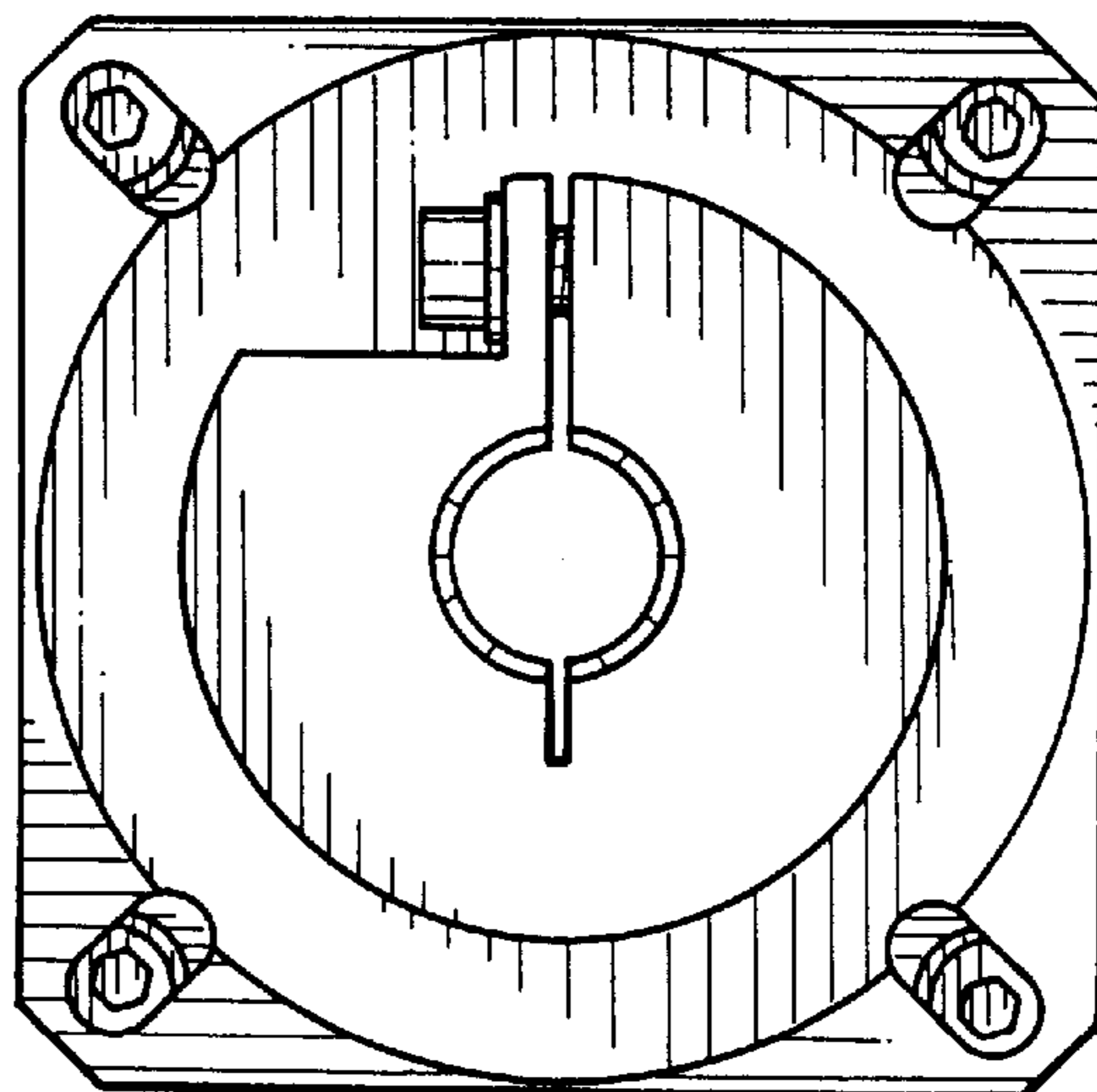


FIG. 5

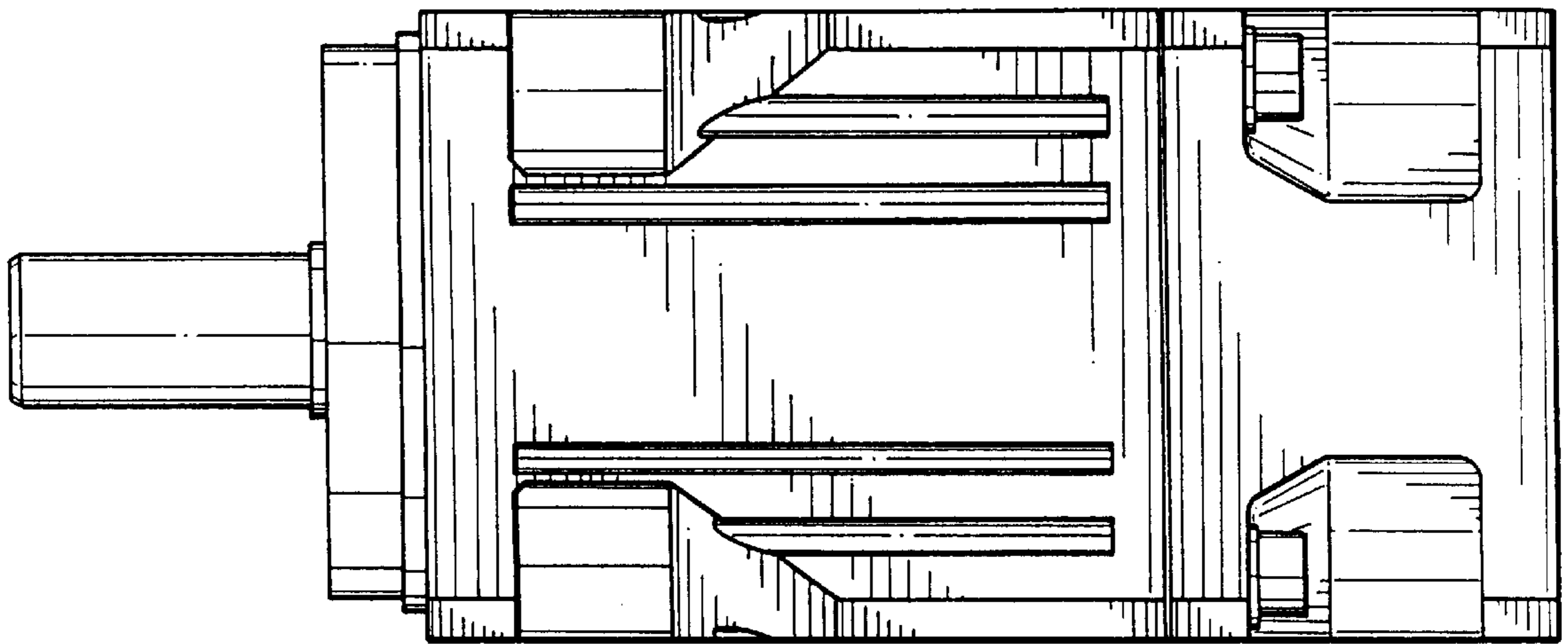


FIG. 6

