



US00D406592S

United States Patent [19]
Richter

[11] **Patent Number: Des. 406,592**

[45] **Date of Patent: **Mar. 9, 1999**

[54] **MAGNETIC TELEPHONE HOLDER**

[76] Inventor: **Herbert Richter**, Drosselweg 8, 75331
Engelbrand, Germany

[**] Term: **14 Years**

[21] Appl. No.: **87,400**

[22] Filed: **May 1, 1998**

[51] **LOC (6) Cl. 14-03**

[52] **U.S. Cl. D14/253**

[58] **Field of Search** D14/137, 138,
D14/148, 147, 149-151, 140-142, 240,
241, 251, 253; 379/433-436, 419, 420,
428, 440, 454, 455, 446, 447; D13/107,
108; 320/110, 113, 114, 115; D6/538, 540

[56] **References Cited**

U.S. PATENT DOCUMENTS

D. 240,431	7/1976	Stapp	D14/151
D. 367,065	2/1996	Wu	D14/253
D. 369,797	5/1996	Hillier et al.	D13/108 X
D. 379,463	5/1997	Richter	D14/253
4,810,216	3/1989	Kawamura	D14/251
5,305,381	4/1994	Wang et al.	379/454 X
5,392,350	2/1995	Swanson	379/455 X

Primary Examiner—Jeffrey Asch

Attorney, Agent, or Firm—Klaus J. Bach

[57] **CLAIM**

The ornamental design for a magnetic telephone holder, as shown and described.

DESCRIPTION

FIG. 1 is a perspective view of the magnetic telephone holder;

FIG. 2 is a rear end view of the magnetic telephone holder shown in FIG. 1;

FIG. 3 is a front end view of the magnetic telephone holder shown in FIG. 1;

FIG. 4 is a right side view of the magnetic telephone holder shown in FIG. 3;

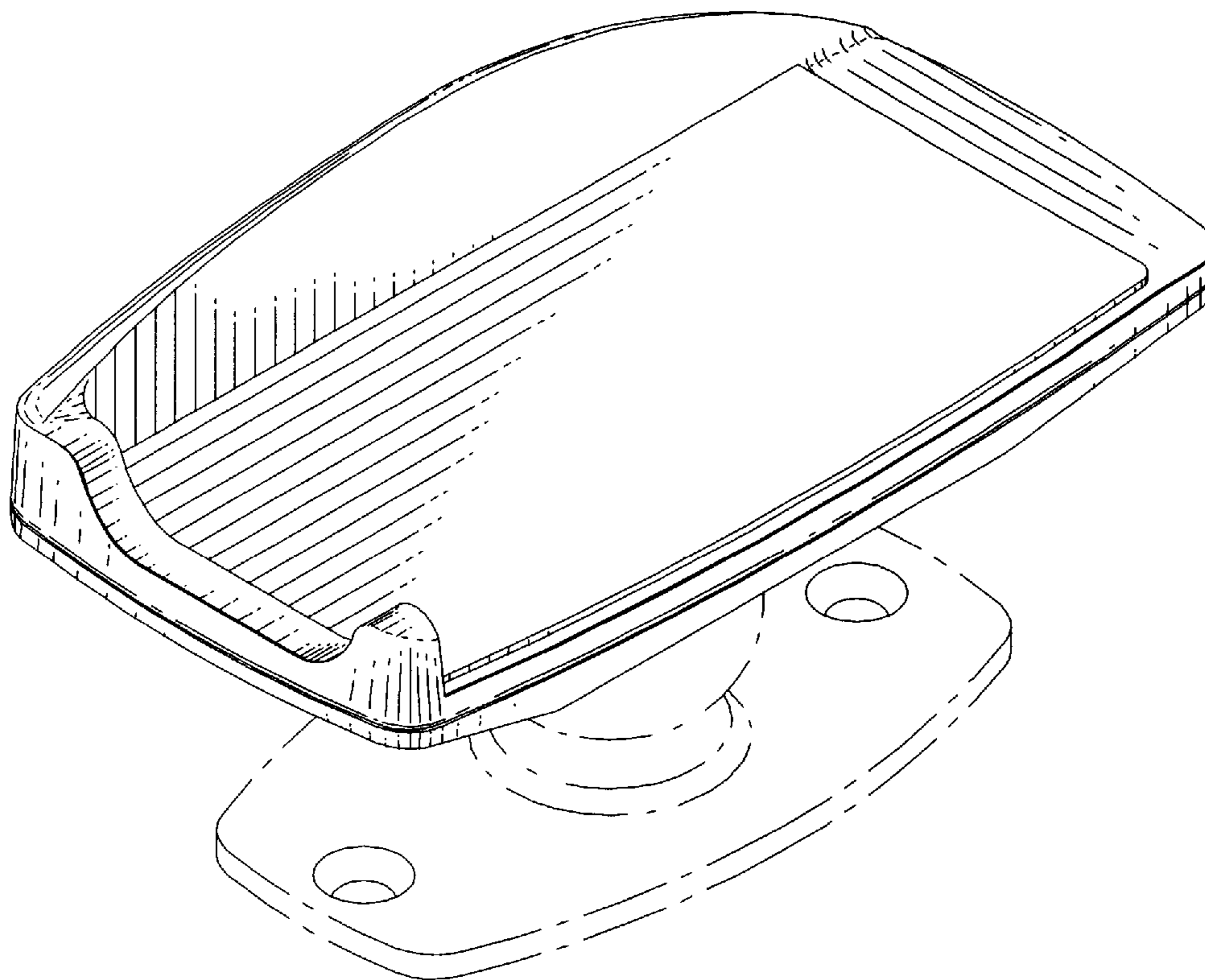
FIG. 5 is a left side view of the magnetic telephone holder shown in FIG. 3;

FIG. 6 is a top view of the magnetic telephone holder shown in FIG. 1; and,

FIG. 7 is a bottom view of the magnetic telephone holder shown in FIG. 1.

The broken line showings of FIGS. 1-5 and 7 are for illustrative purposes only and form no part of the claimed design. Any portion of the bottom hidden behind the broken line disclosure is not considered to be a part of my claimed design.

1 Claim, 3 Drawing Sheets



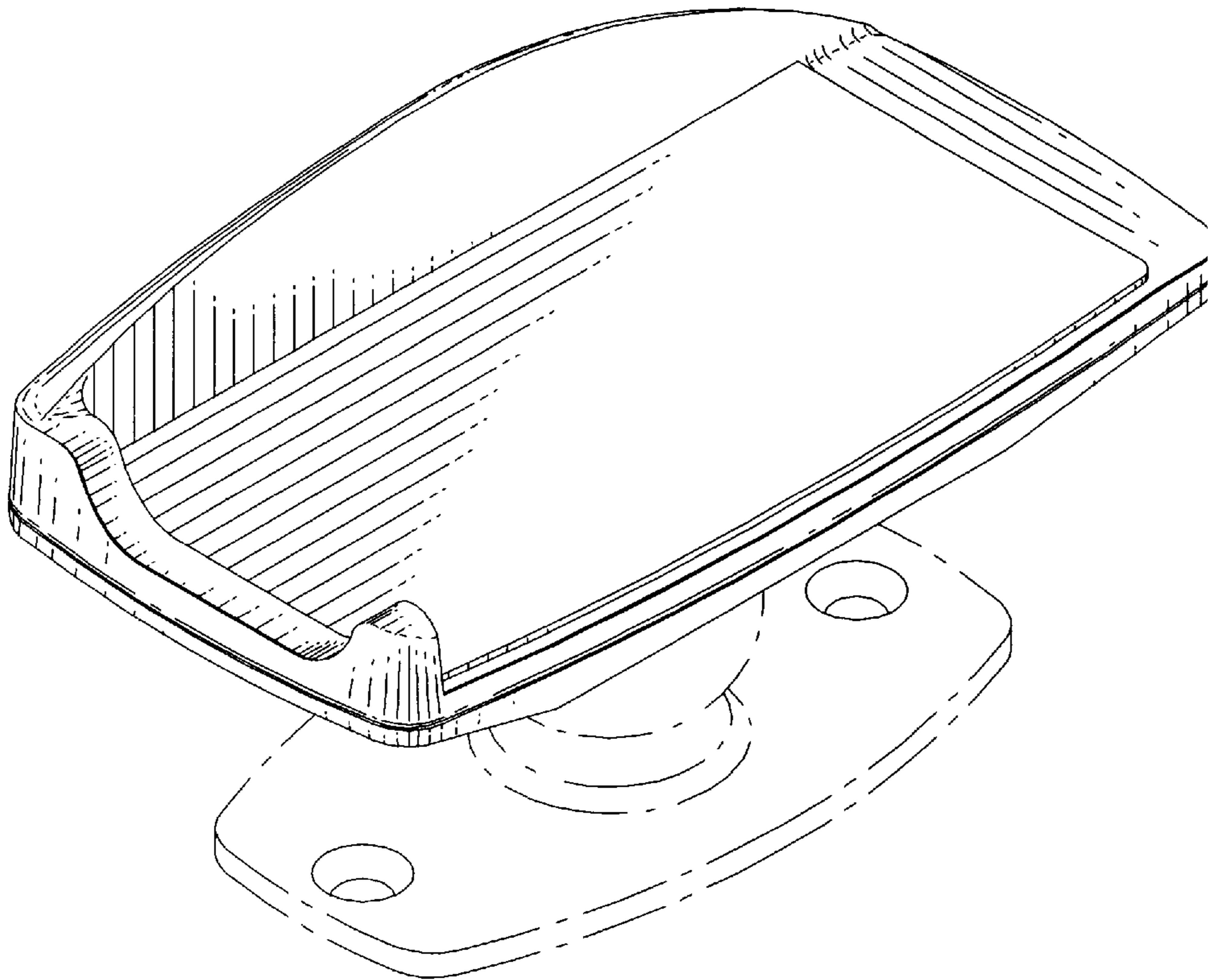


FIG. 1

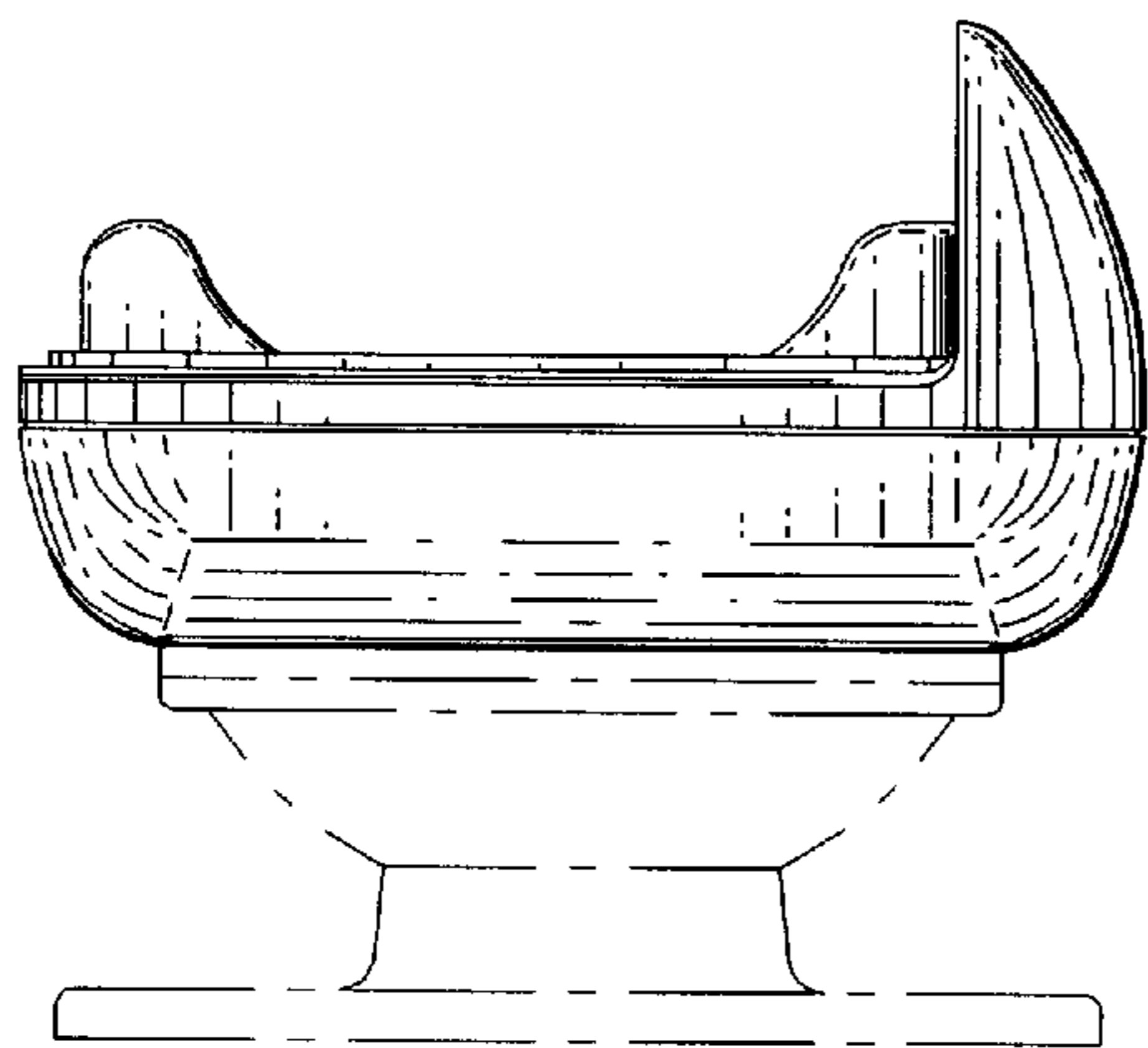


FIG. 2

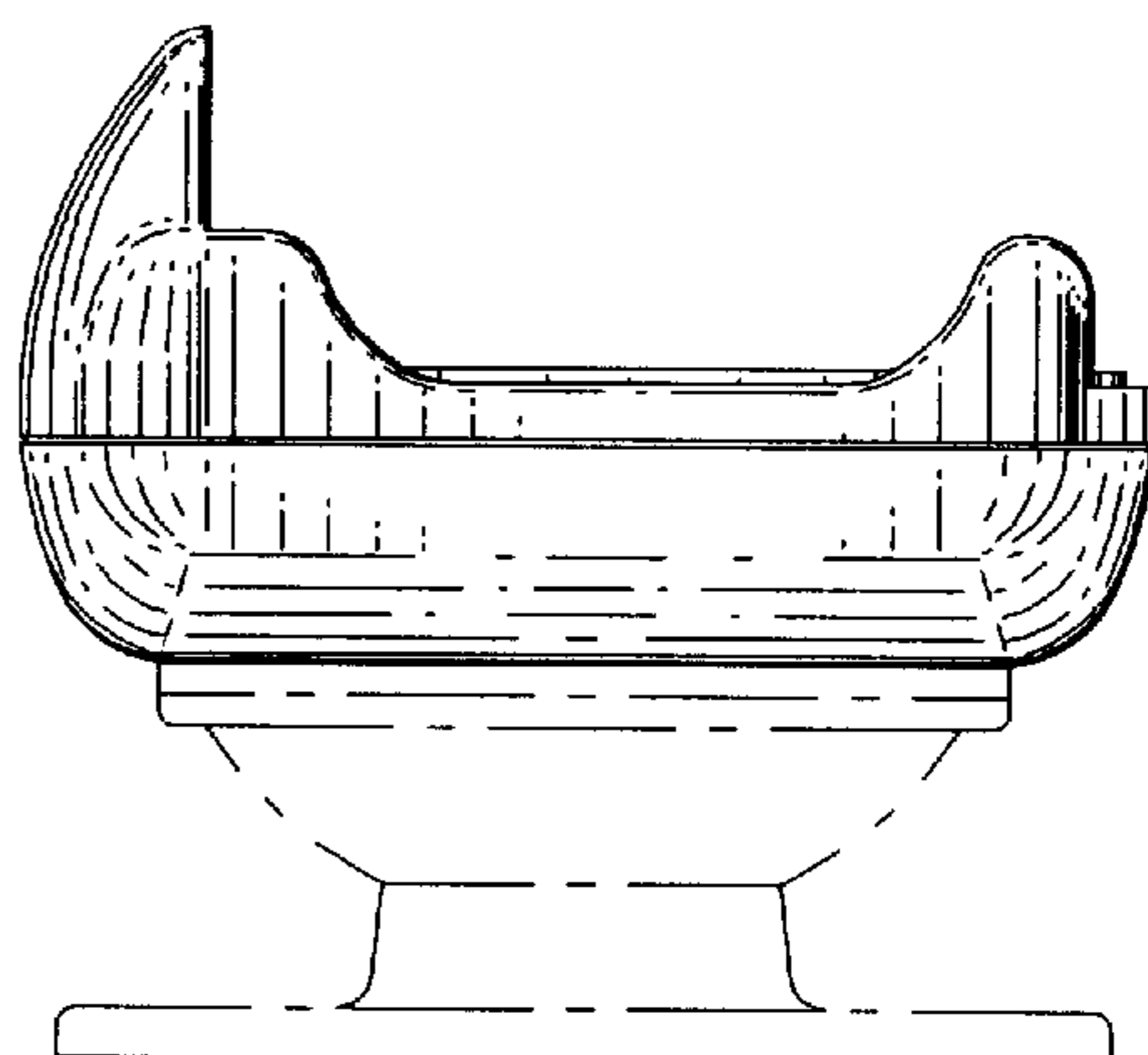


FIG. 3

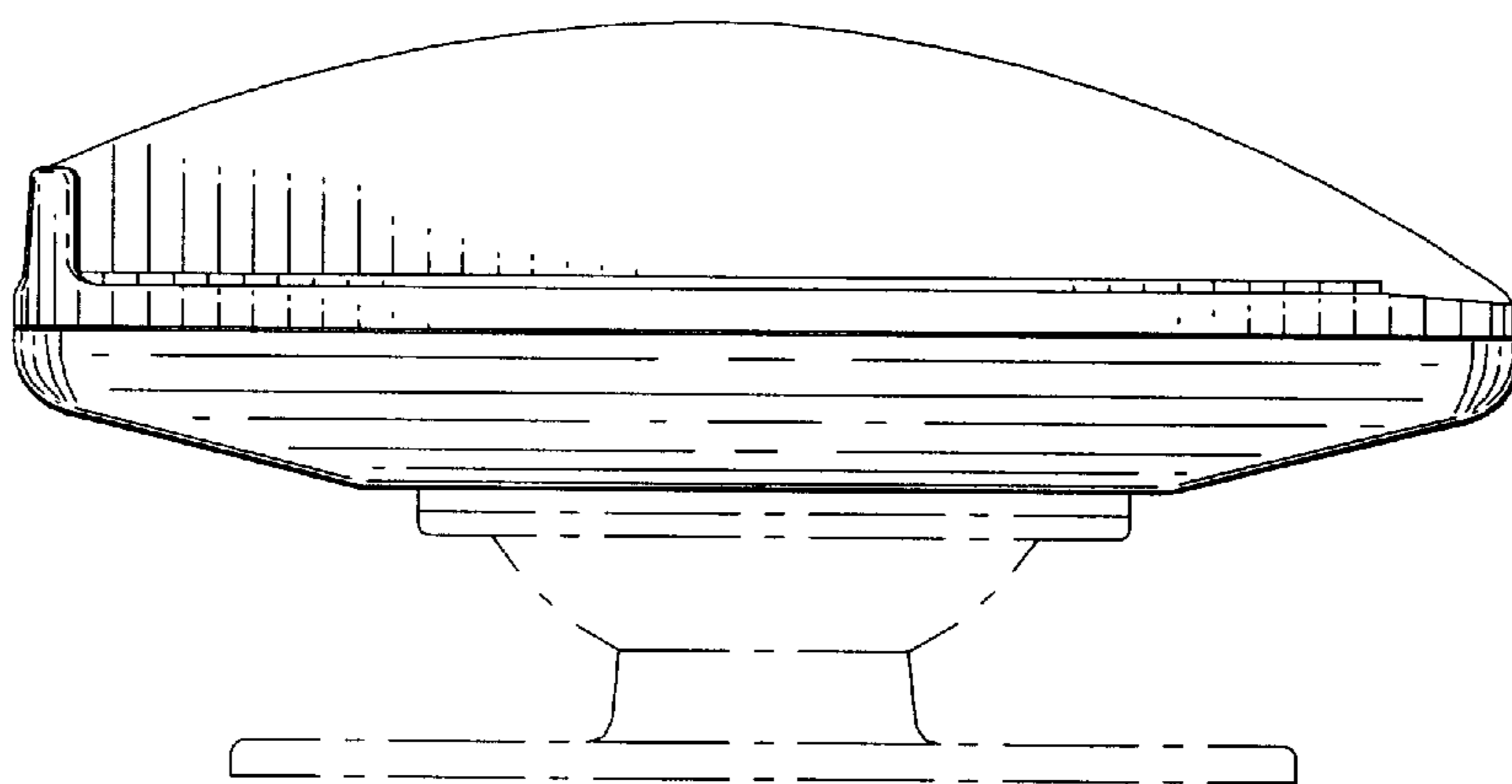


FIG. 4

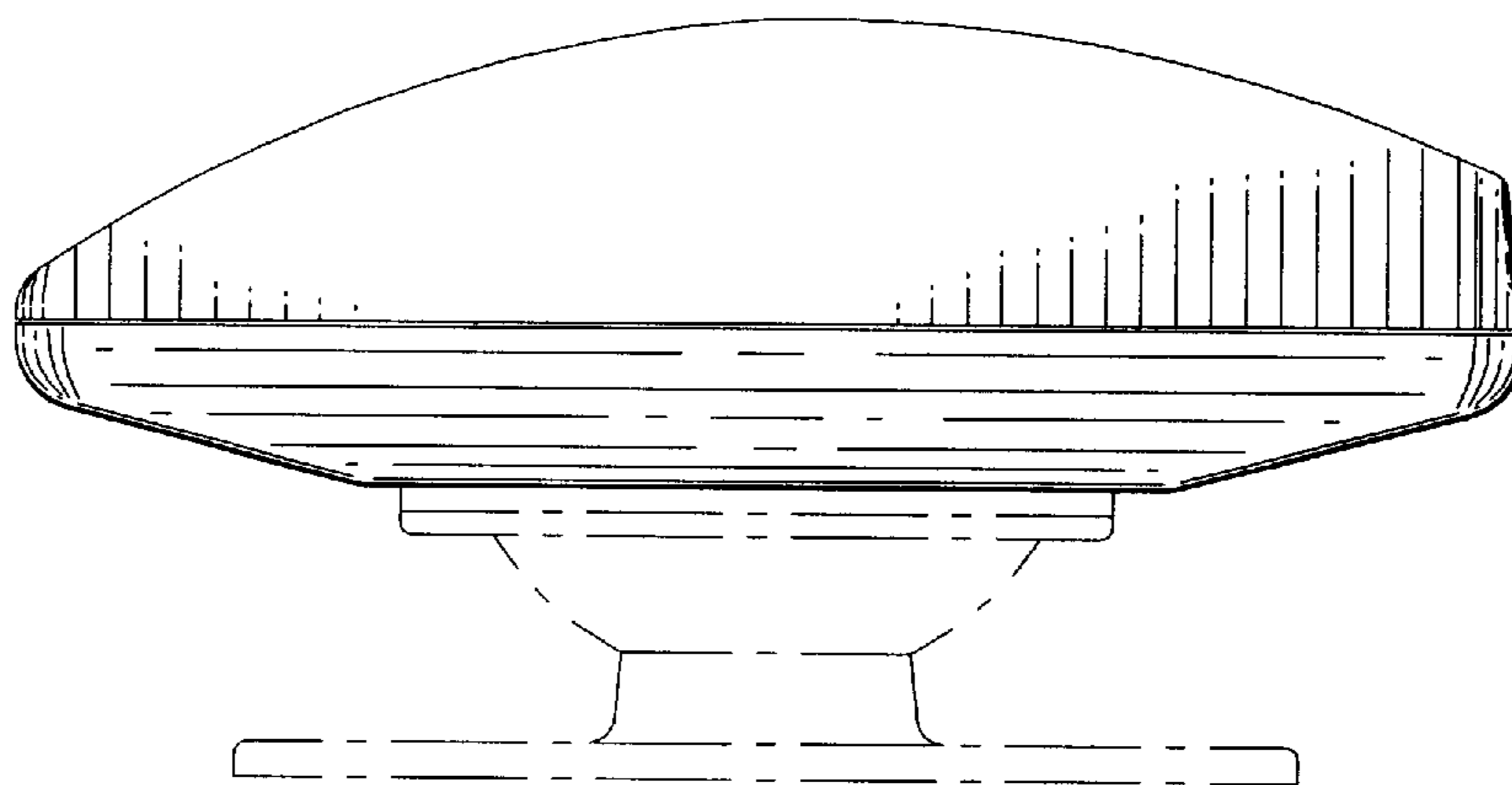


FIG. 5

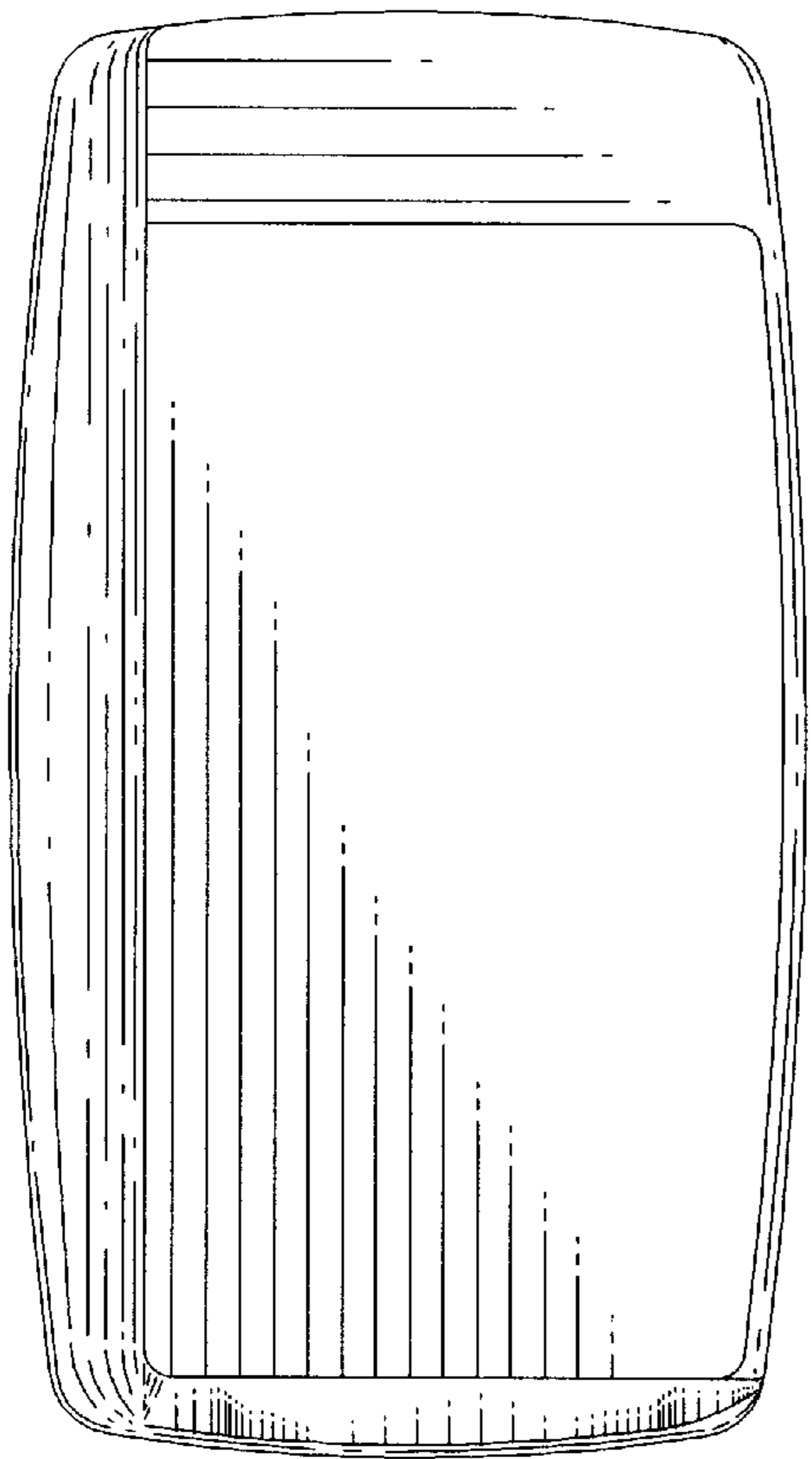


FIG. 6

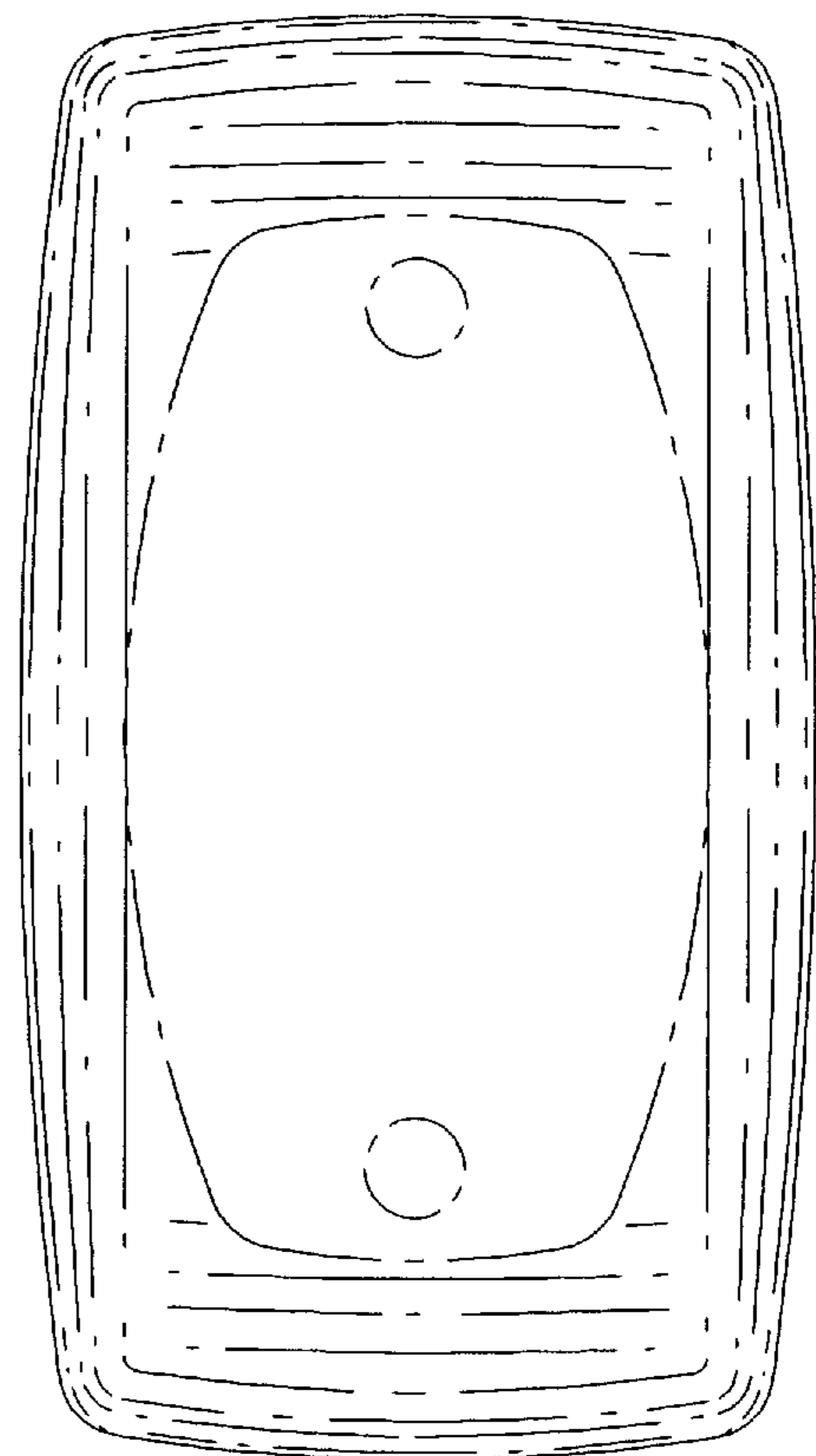


FIG. 7