



US00D406591S

# United States Patent [19] Richter

[11] Patent Number: Des. 406,591

[45] Date of Patent: \*\*Mar. 9, 1999

[54] **MOBILE TELEPHONE HOLDER**

[76] Inventor: **Herbert Richter**, Drosselweg 8, 75331 Engelbrand, Germany

[\*\*] Term: **14 Years**

[21] Appl. No.: **87,399**

[22] Filed: **May 1, 1998**

[51] **LOC (6) Cl.** ..... **14-03**

[52] **U.S. Cl.** ..... **D14/253**

[58] **Field of Search** ..... D14/137, 138, D14/148, 147, 149-151, 140-142, 240, 241, 251, 253; 379/433-436, 419, 420, 428, 440, 454, 455, 446, 447; D13/107, 108; 320/110, 113, 114, 115; D6/536, 538, 540

[56] **References Cited**

**U.S. PATENT DOCUMENTS**

D. 367,065	2/1996	Wu	.....	D14/253
D. 379,463	5/1997	Richter	.....	D14/253
D. 391,266	2/1998	Richter	.....	D14/253
5,187,744	2/1993	Richter	.....	379/455 X
5,305,381	4/1994	Wang et al.	.....	379/454 X
5,392,350	2/1995	Swanson	.....	379/446
5,659,612	8/1997	Wang	.....	379/447 X
5,694,468	12/1997	Hsu	.....	379/455 X

*Primary Examiner*—Jeffrey Asch  
*Attorney, Agent, or Firm*—Klaus J. Bach

[57] **CLAIM**

The ornamental design for a mobile telephone holder, as shown and described.

**DESCRIPTION**

FIG. 1 is a perspective view of the mobile telephone holder;

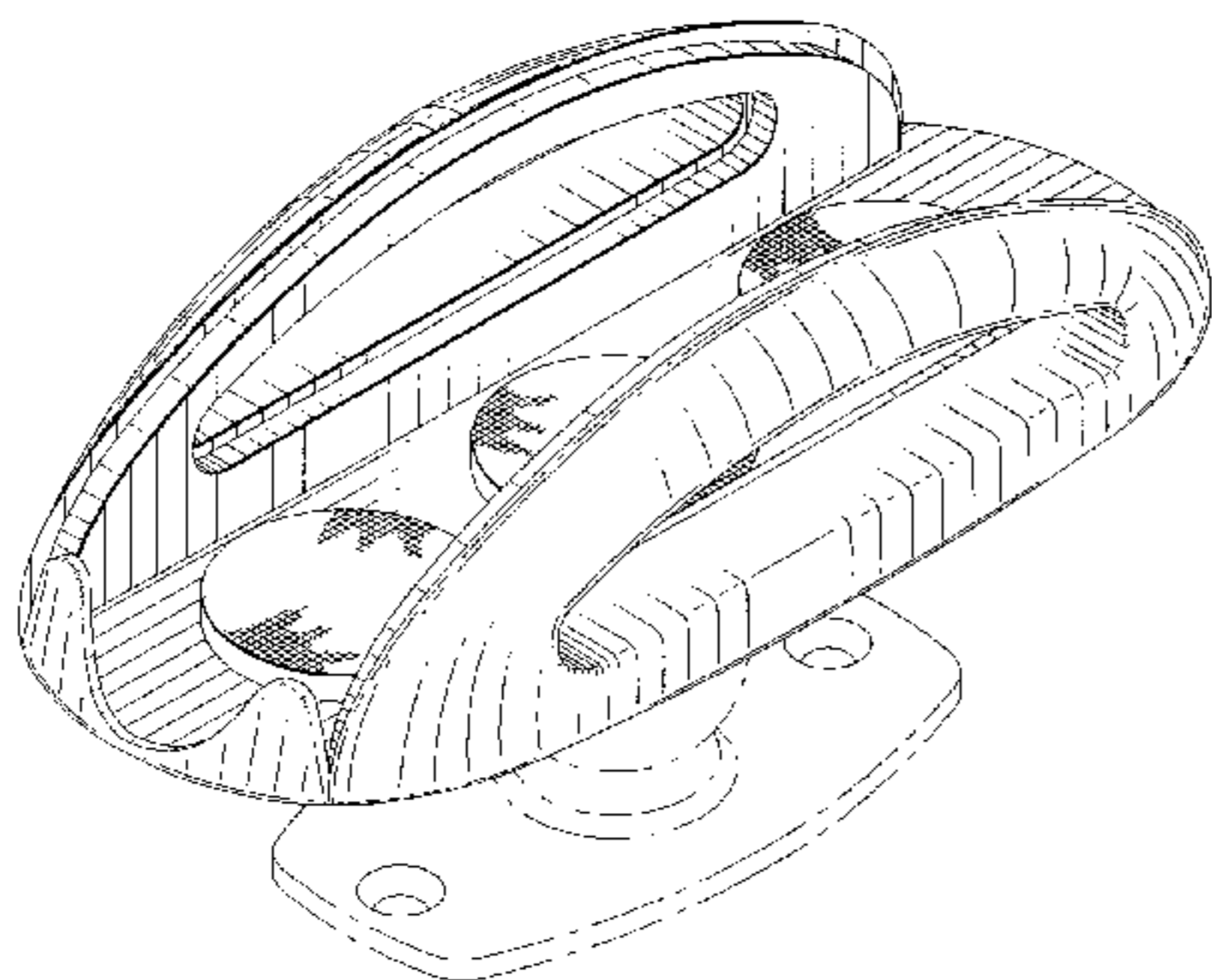


FIG. 2 is a rear end view of the mobile telephone holder shown in FIG. 1;

FIG. 3 is a front end view of the mobile telephone holder shown in FIG. 1;

FIG. 4 is a left side view of the mobile telephone holder shown in FIG. 3;

FIG. 5 is a top view of the mobile telephone holder shown in FIG. 1;

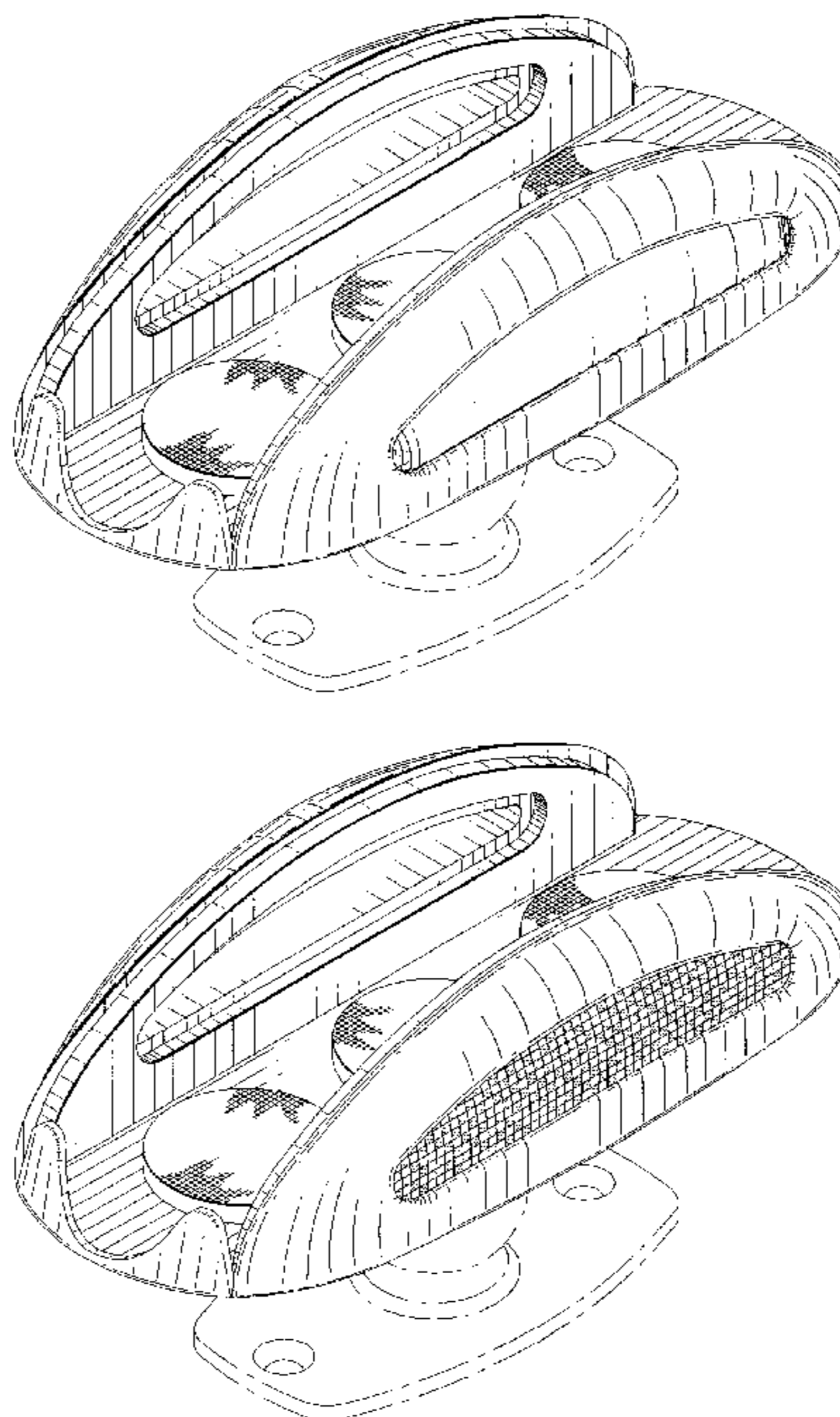
FIG. 6 is a bottom view of the mobile telephone holder shown in FIG. 1;

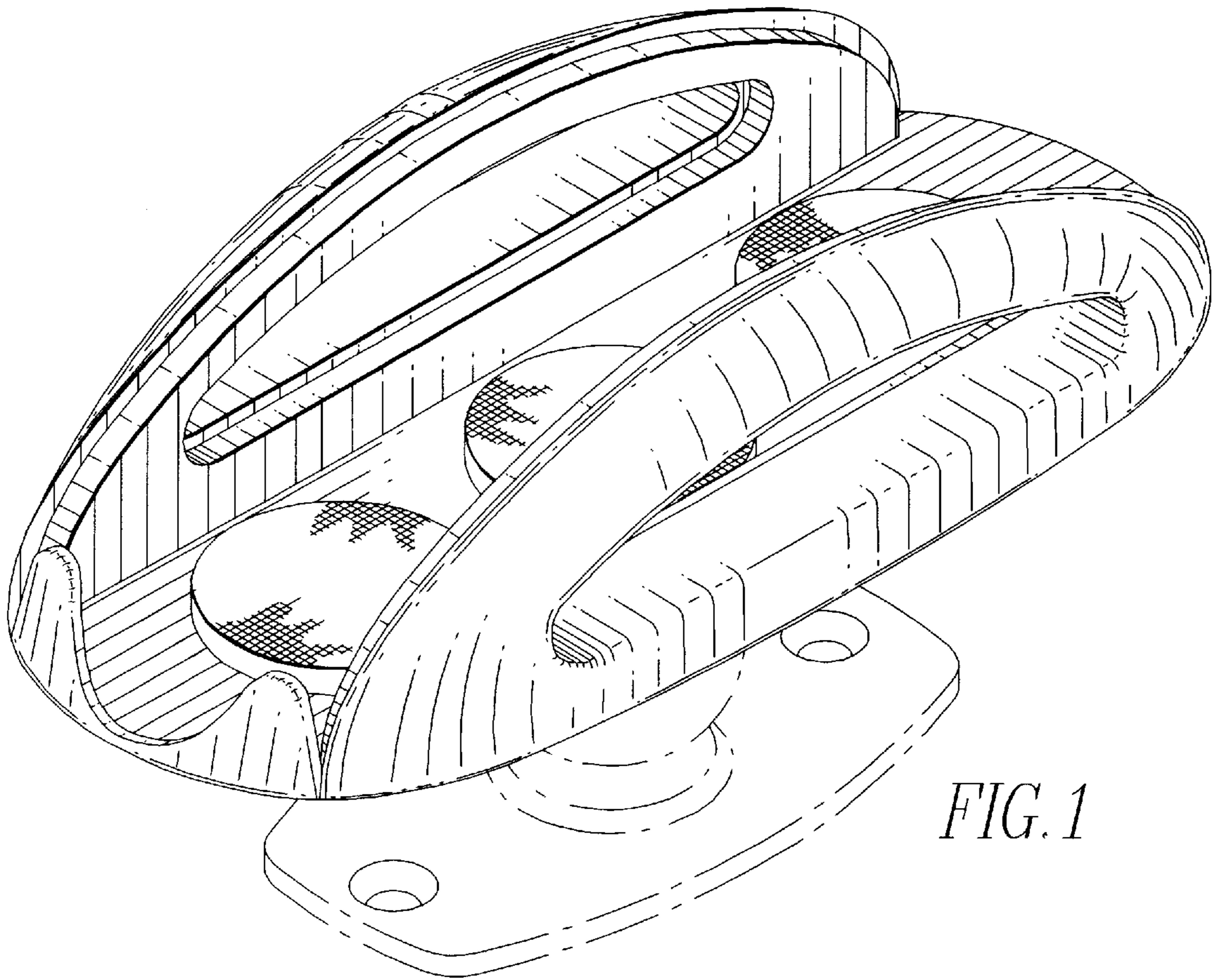
FIG. 7 is a perspective view of a second embodiment of the mobile telephone holder as shown in FIG. 1, the only difference over the first embodiment being in the inserts disposed in the side openings, the opposite side being a mirror image thereof; and,

FIG. 8 is a perspective view of a third embodiment of the mobile telephone holder as shown in FIG. 1, the only difference over the first and second embodiments being in the inserts disposed in the side openings, the opposite side being a mirror image thereof.

The broken line showings of FIGS. 1-4 and 6-8 are for illustrative purposes only and form no part of the claimed design. Any portion of the bottom hidden behind the broken line disclosure is not considered to be a part of my claimed design.

**1 Claim, 4 Drawing Sheets**





*FIG. 1*

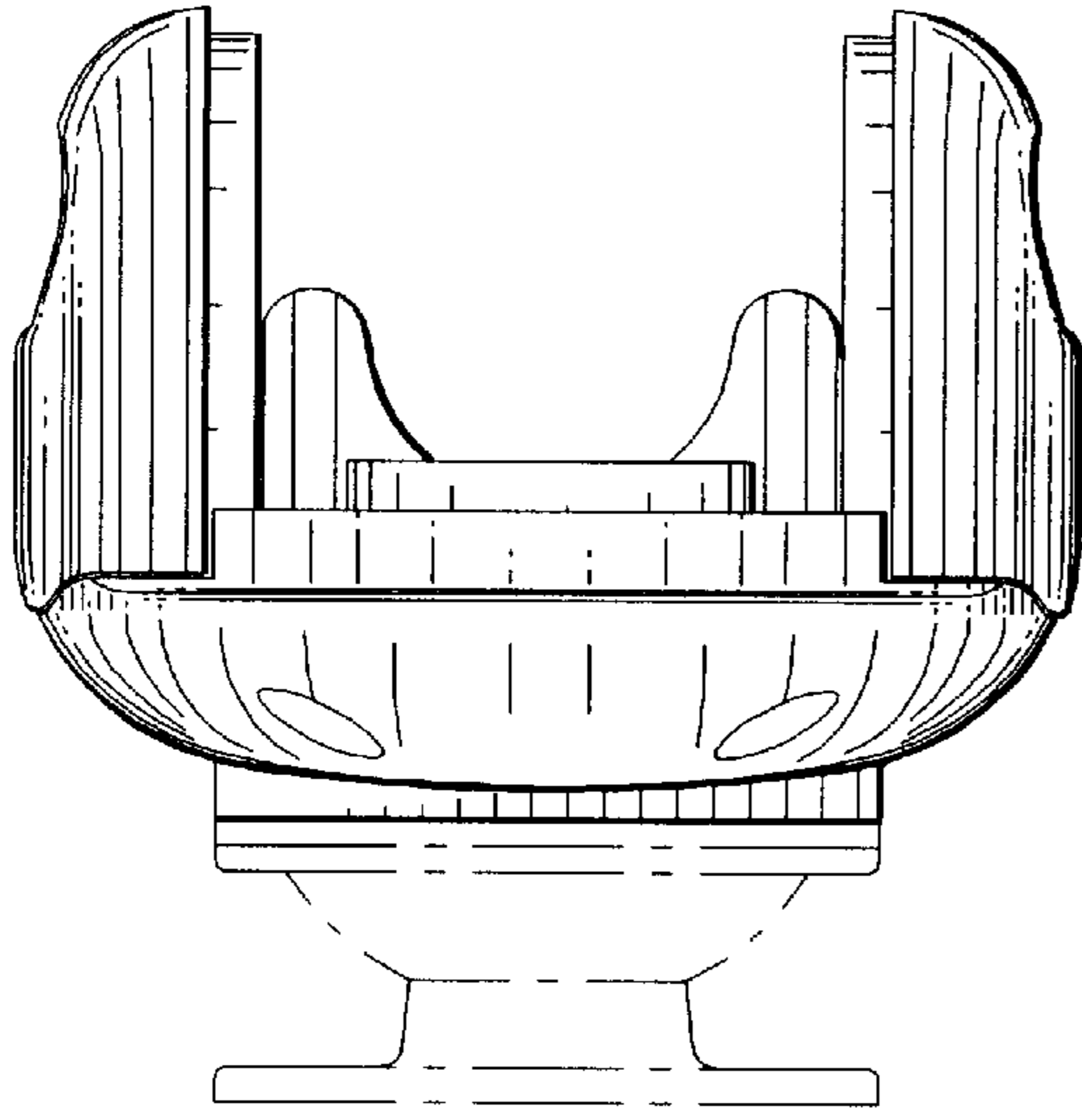


FIG. 2

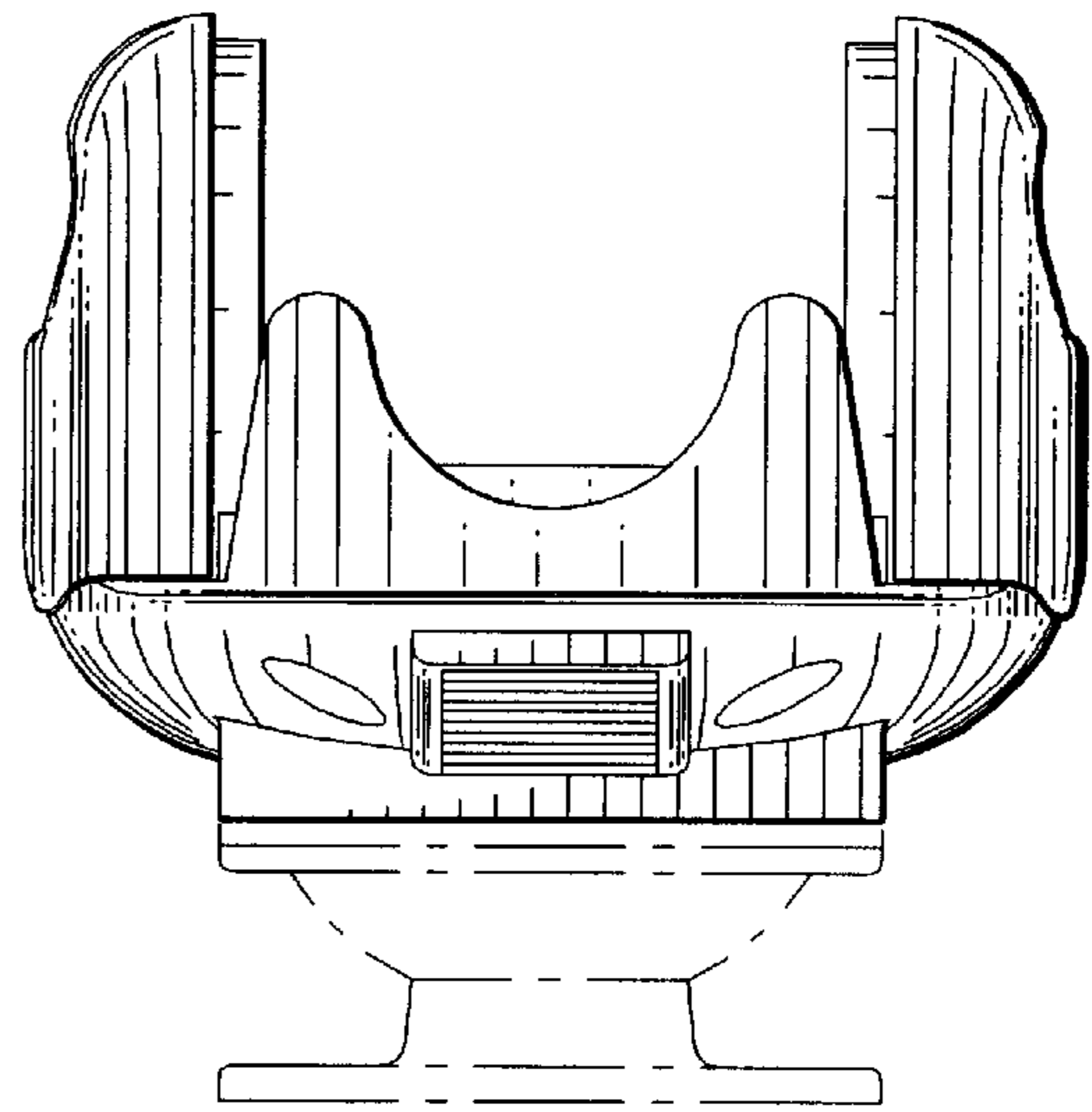


FIG. 3

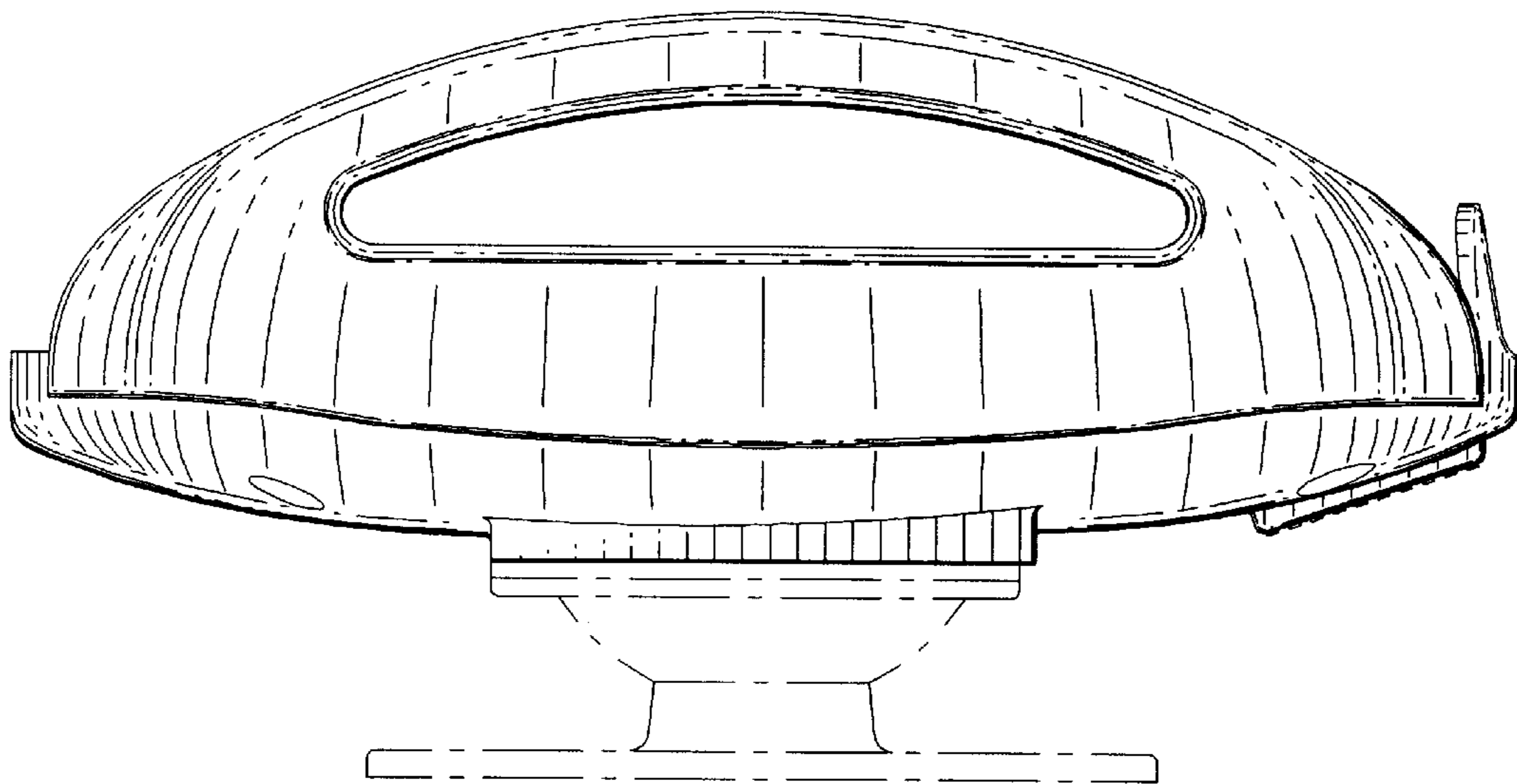


FIG. 4



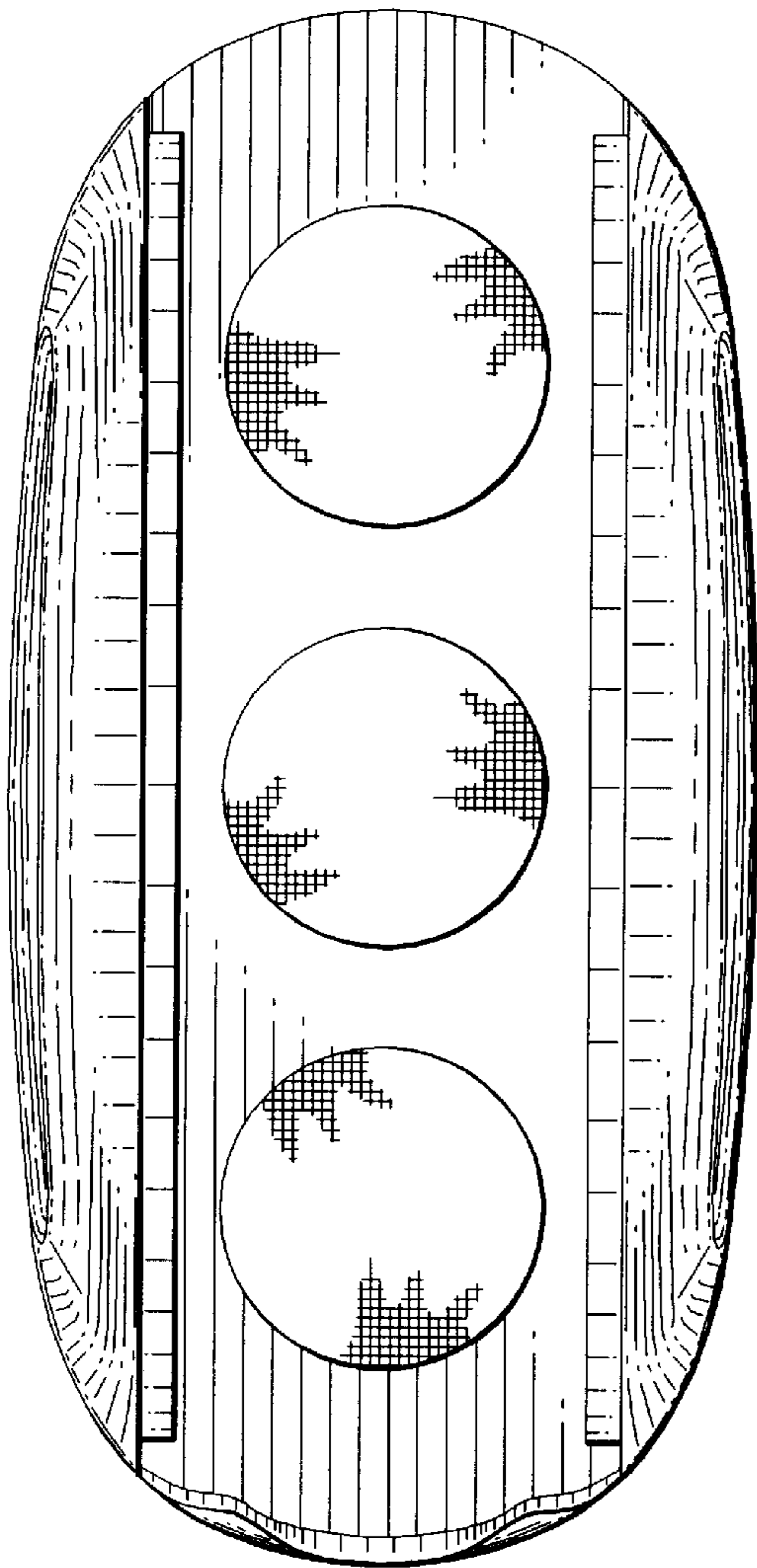


FIG. 5

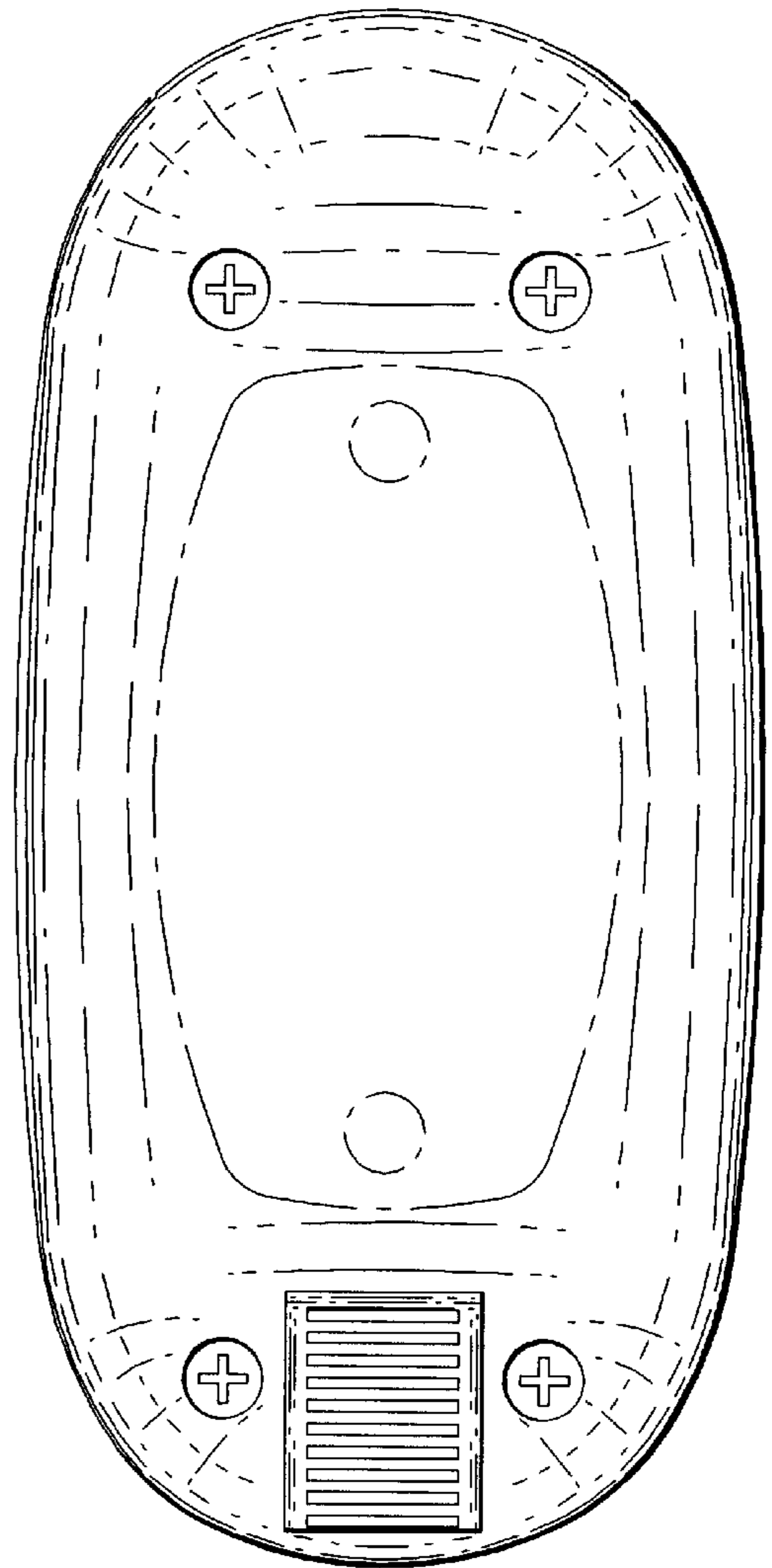


FIG. 6

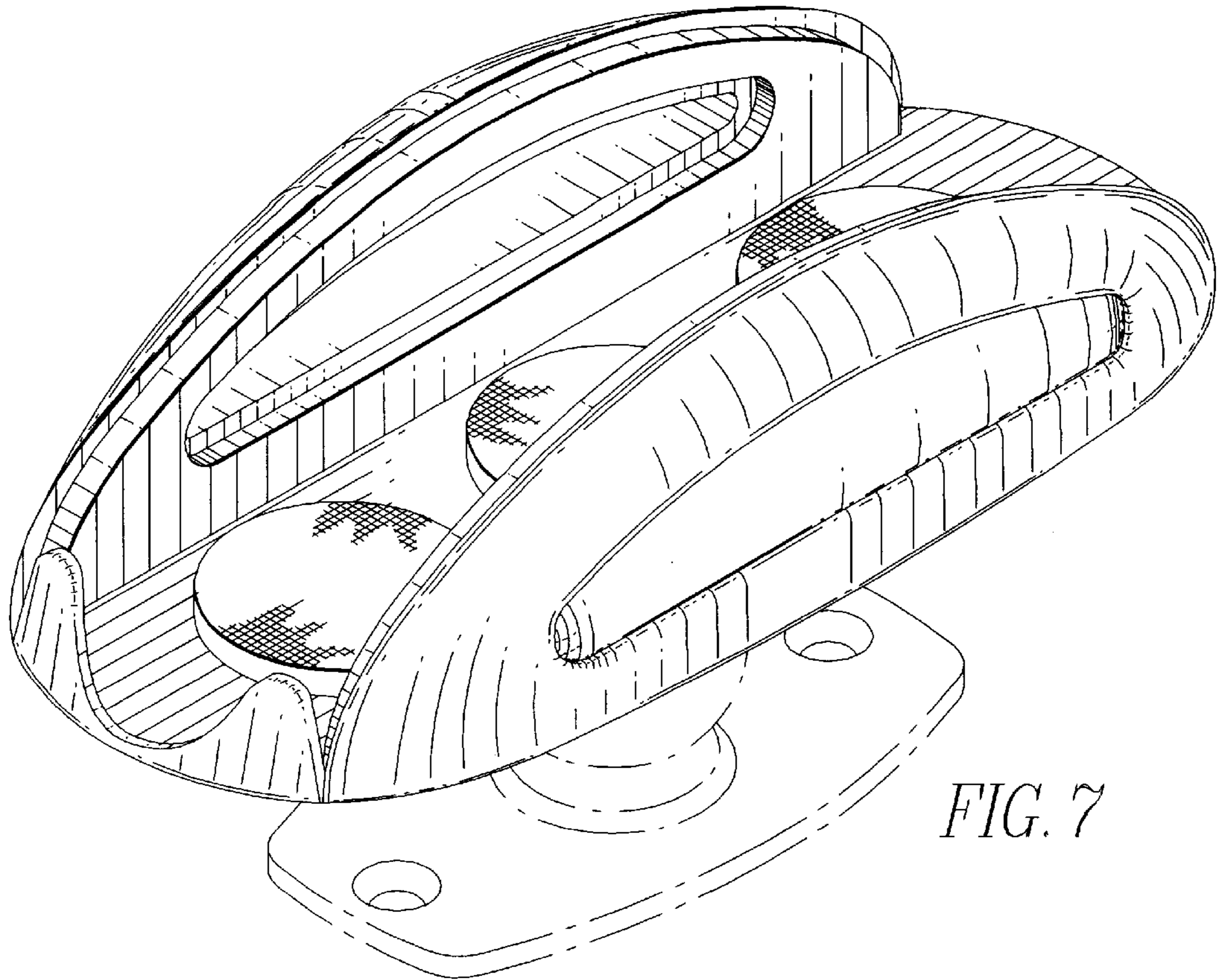


FIG. 7

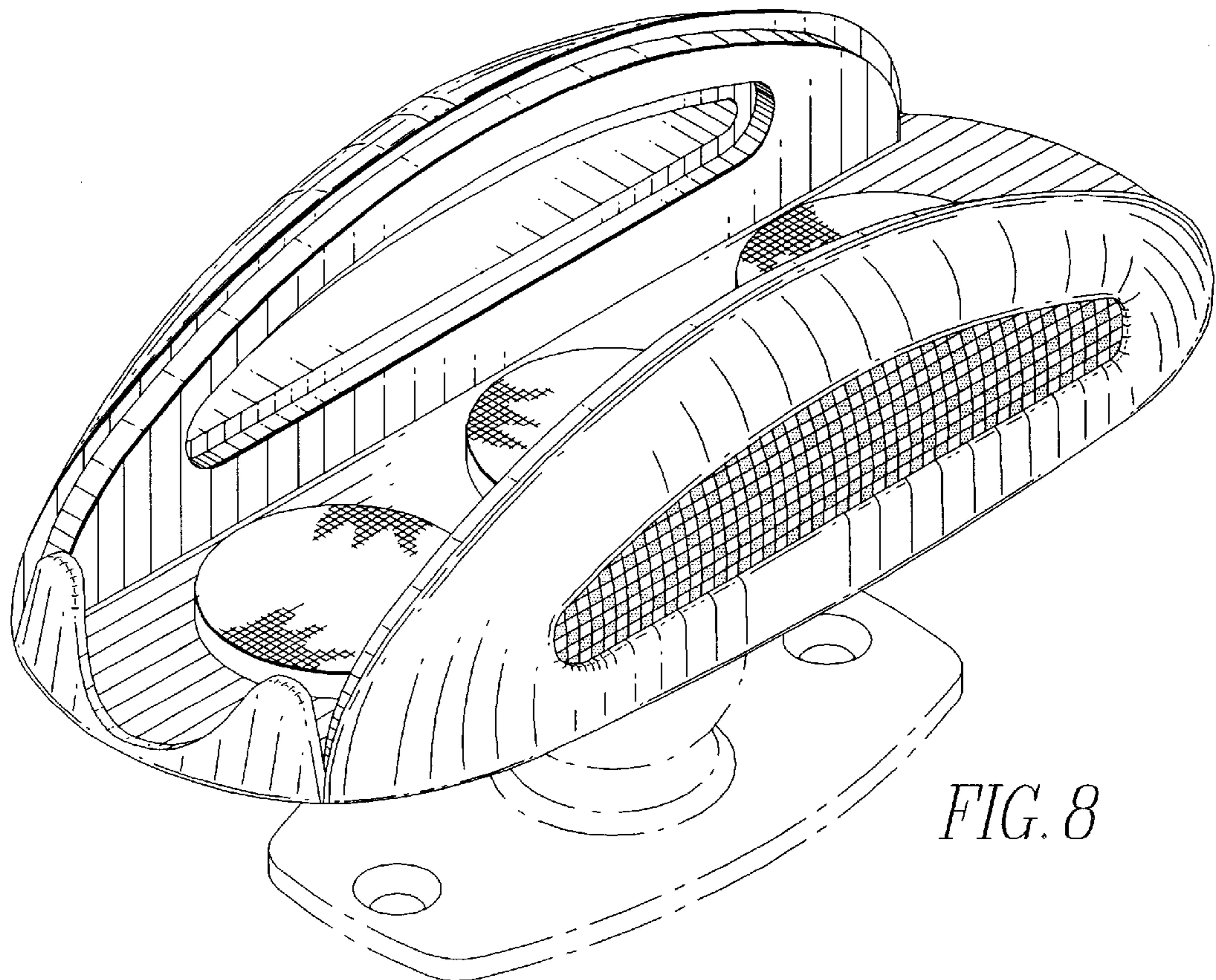


FIG. 8