



US00D406590S

United States Patent [19]
Heiligenstein et al.

[11] **Patent Number: Des. 406,590**

[45] **Date of Patent: **Mar. 9, 1999**

[54] **ANTENNA CASING**

[75] Inventors: **Luc Heiligenstein; Peter Langmar; Stephen Melamed**, all of Chicago, Ill.

[73] Assignee: **Terk Technologies Corporation**, Commack, N.Y.

[**] Term: **14 Years**

[21] Appl. No.: **77,488**

[22] Filed: **Oct. 2, 1997**

[51] **LOC (6) Cl.** **14-03**

[52] **U.S. Cl.** **D14/230**

[58] **Field of Search** D14/147-148,
D14/230-238, 299; 343/700 R, 701-702,
761, 840-841, 850, 857-858, 860, 872-875,
878, 889, 906-908, 888-890, 892, 896,
898-901, 912, 914; D25/121, 122, 124,
164

[56] **References Cited**

U.S. PATENT DOCUMENTS

D. 293,575	1/1988	Sugiura	D14/90
D. 296,895	7/1988	Nakayama	D14/90
2,814,039	11/1957	Watson	343/844
3,155,975	11/1964	Chatelain	343/785
3,208,068	9/1965	Hoffman	343/705
3,445,854	5/1969	Callaghan	343/912
3,596,271	7/1971	Cosslett	343/846
3,984,841	10/1976	Mikulich, Jr. et al.	343/792.5
5,005,021	4/1991	Kato et al.	343/717

Primary Examiner—Ruth McInroy

1 Claim, 2 Drawing Sheets

Attorney, Agent, or Firm—R. Neil Sudol; Henry D. Coleman

[57] **CLAIM**

The ornamental design for the antenna casing, as shown and described.

DESCRIPTION

FIG. 1 is a front elevational view of an antenna casing, showing our new design;
 FIG. 2 is a top plan view thereof;
 FIG. 3 is a bottom plan view thereof;
 FIG. 4 is a rear elevational view thereof;
 FIG. 5 is a right side elevational view thereof;
 FIG. 6 is a left side elevational view thereof;
 FIG. 7 is a broken or partial top, front and right side perspective view thereof, on a larger scale;
 FIG. 8 is a partial front elevational view thereof, on the larger scale;
 FIG. 9 is a partial top plan view thereof, on the larger scale;
 FIG. 10 is a partial bottom plan view thereof, on the larger scale;
 FIG. 11 is a partial rear elevational view thereof, on the larger scale;
 FIG. 12 is a partial right side elevational view thereof, on the larger scale; and,
 FIG. 13 is a partial left side elevational view thereof, on the larger scale.
 FIGS. 7-13, which illustrate portions of the antenna casing of FIGS. 1-6, are provided for clarity of illustration only. The invention is directed to the entire antenna casing shown in FIGS. 1-6.

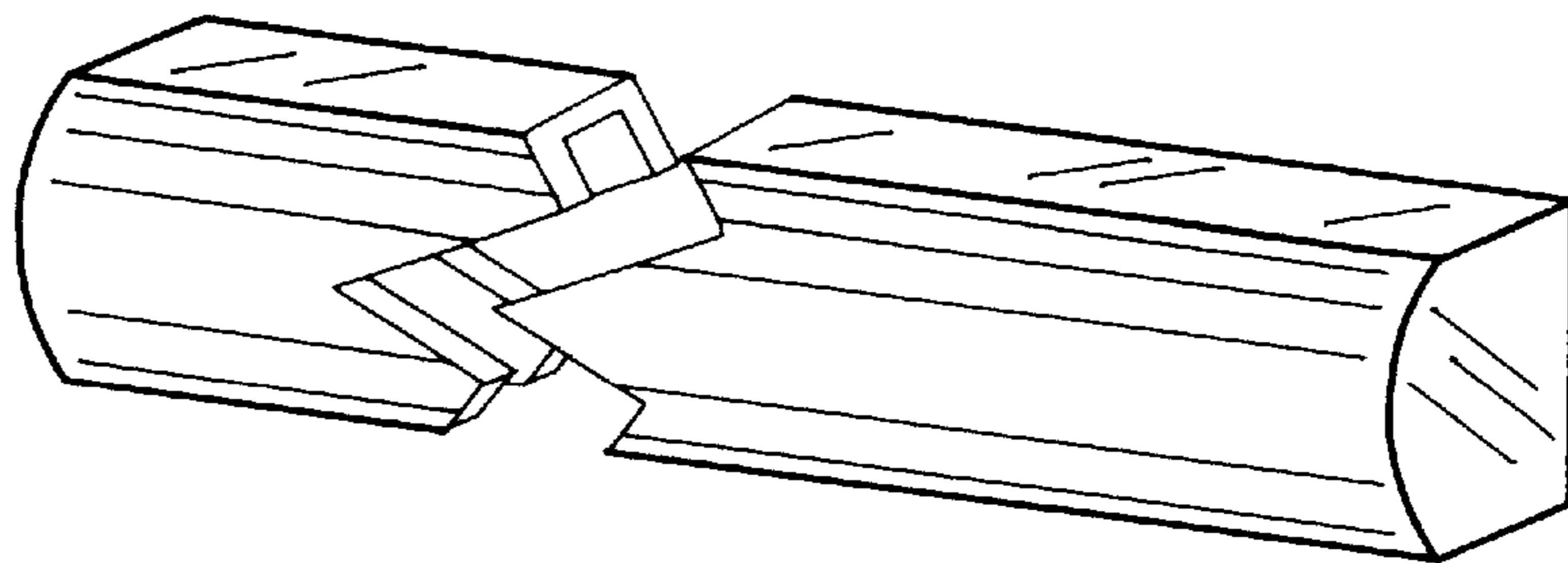




FIG. 1



FIG. 2



FIG. 3

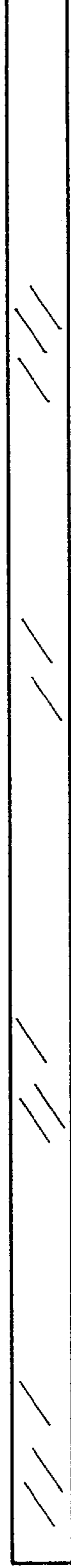


FIG. 4



FIG. 5



FIG. 6

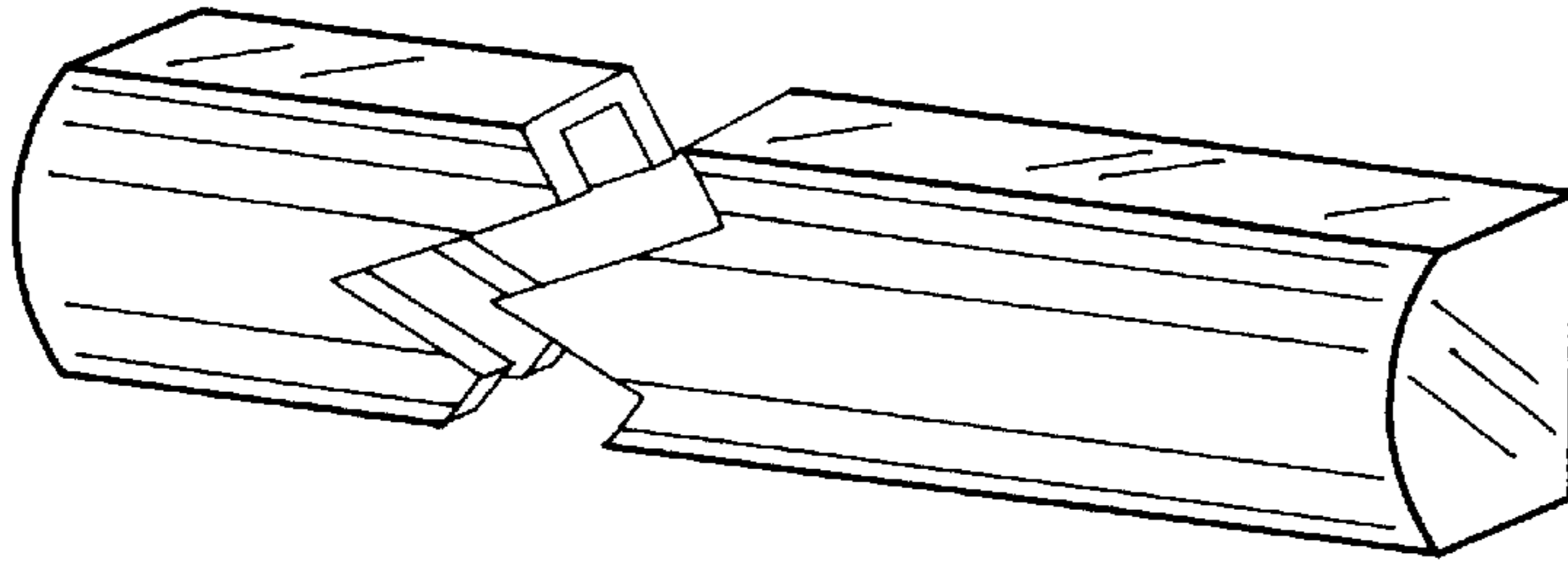


FIG. 7

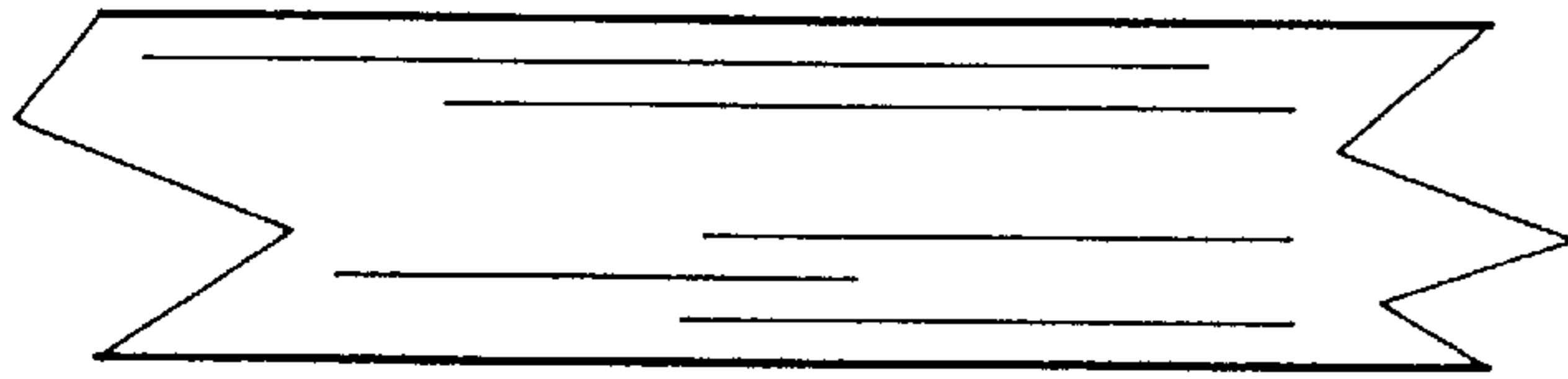


FIG. 8

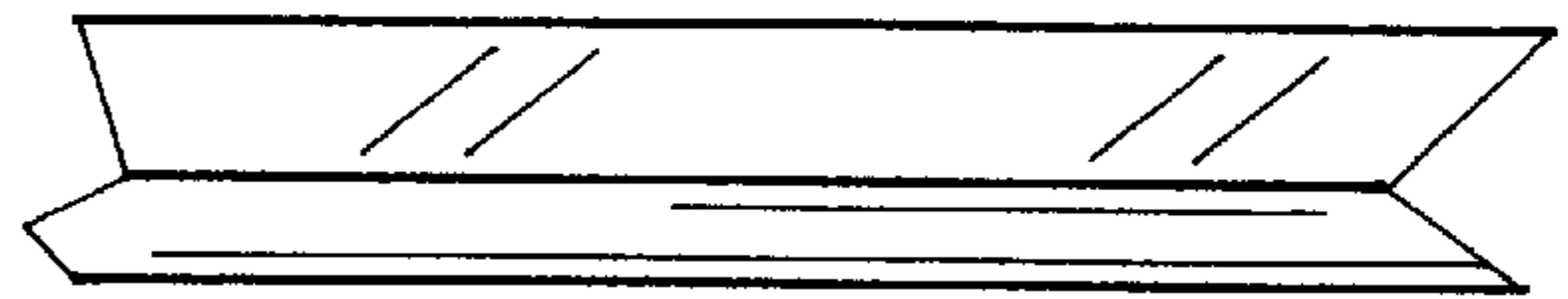


FIG. 9

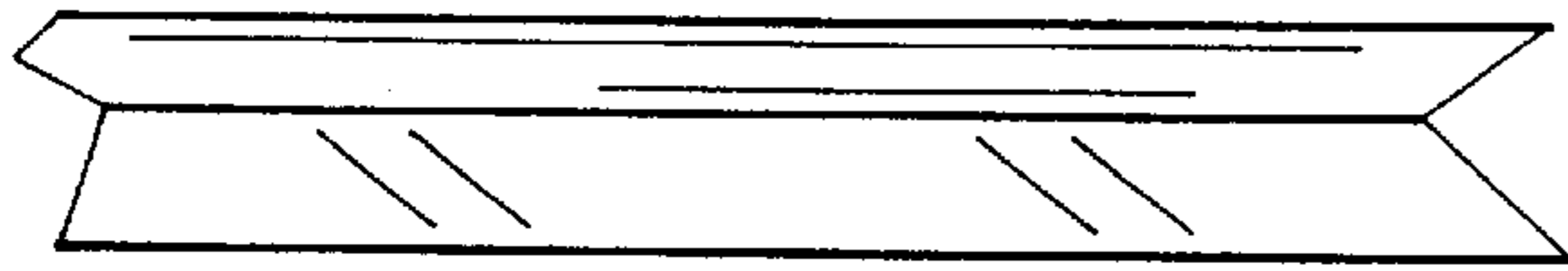


FIG. 10

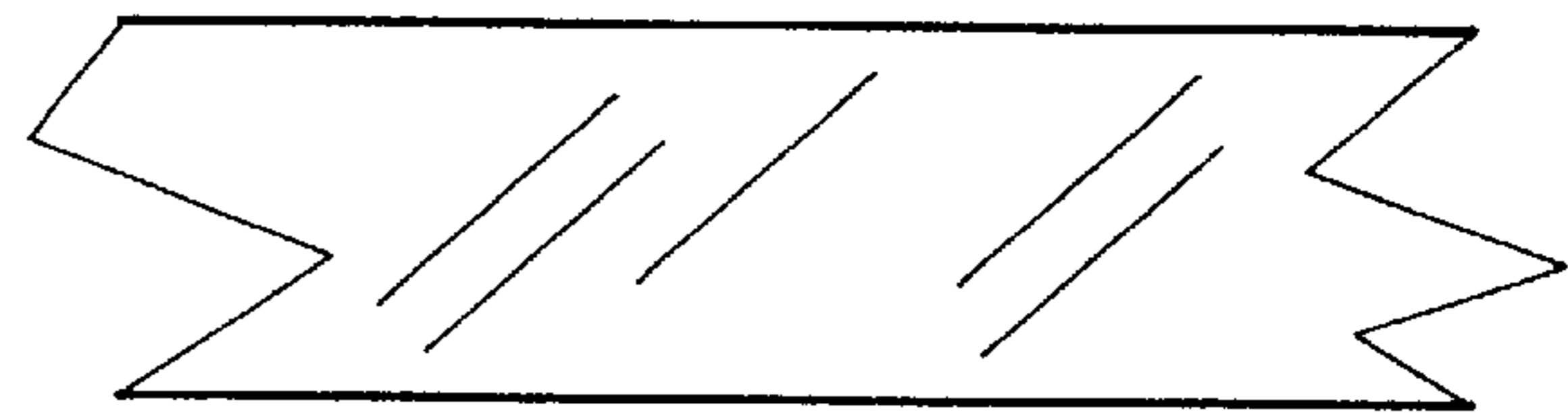


FIG. 11



FIG. 12



FIG. 13