



US00D406588S

United States Patent [19]
Sogabe

[11] **Patent Number: Des. 406,588**

[45] **Date of Patent: **Mar. 9, 1999**

[54] **OPTICAL DISC PLAYER**

D. 377,648 1/1997 Young D14/136
D. 379,627 6/1997 Takahashi D14/188 X

[75] Inventor: **Takashi Sogabe**, Tokyo, Japan

Primary Examiner—Sandra L. Morris
Assistant Examiner—Richelle Shelton
Attorney, Agent, or Firm—Foley & Lardner

[73] Assignee: **Sony Corporation**, Tokyo, Japan

[**] Term: **14 Years**

[57] **CLAIM**

[21] Appl. No.: **63,479**

The ornamental design for an optical disc player, as shown and described.

[22] Filed: **Dec. 9, 1996**

DESCRIPTION

[51] **LOC (6) Cl.** **14-01**

[52] **U.S. Cl.** **D14/156; D14/136; D14/160**

[58] **Field of Search** D14/107, 109,
D14/124, 135, 136, 156, 160; 369/75.1,
75.2, 77.1, 77.2

FIG. 1 is a perspective view of an optical disc player showing my new design;
FIG. 2 is a top plan view thereof;
FIG. 3 is a left side elevational view thereof;
FIG. 4 is a front elevational view thereof;
FIG. 5 is a right side elevational view thereof;
FIG. 6 is a bottom plan view thereof; and,
FIG. 7 is a rear elevational view thereof.

[56] **References Cited**

U.S. PATENT DOCUMENTS

D. 320,789 10/1991 Sogabe D14/156
D. 328,895 8/1992 Grimes D14/156

1 Claim, 3 Drawing Sheets

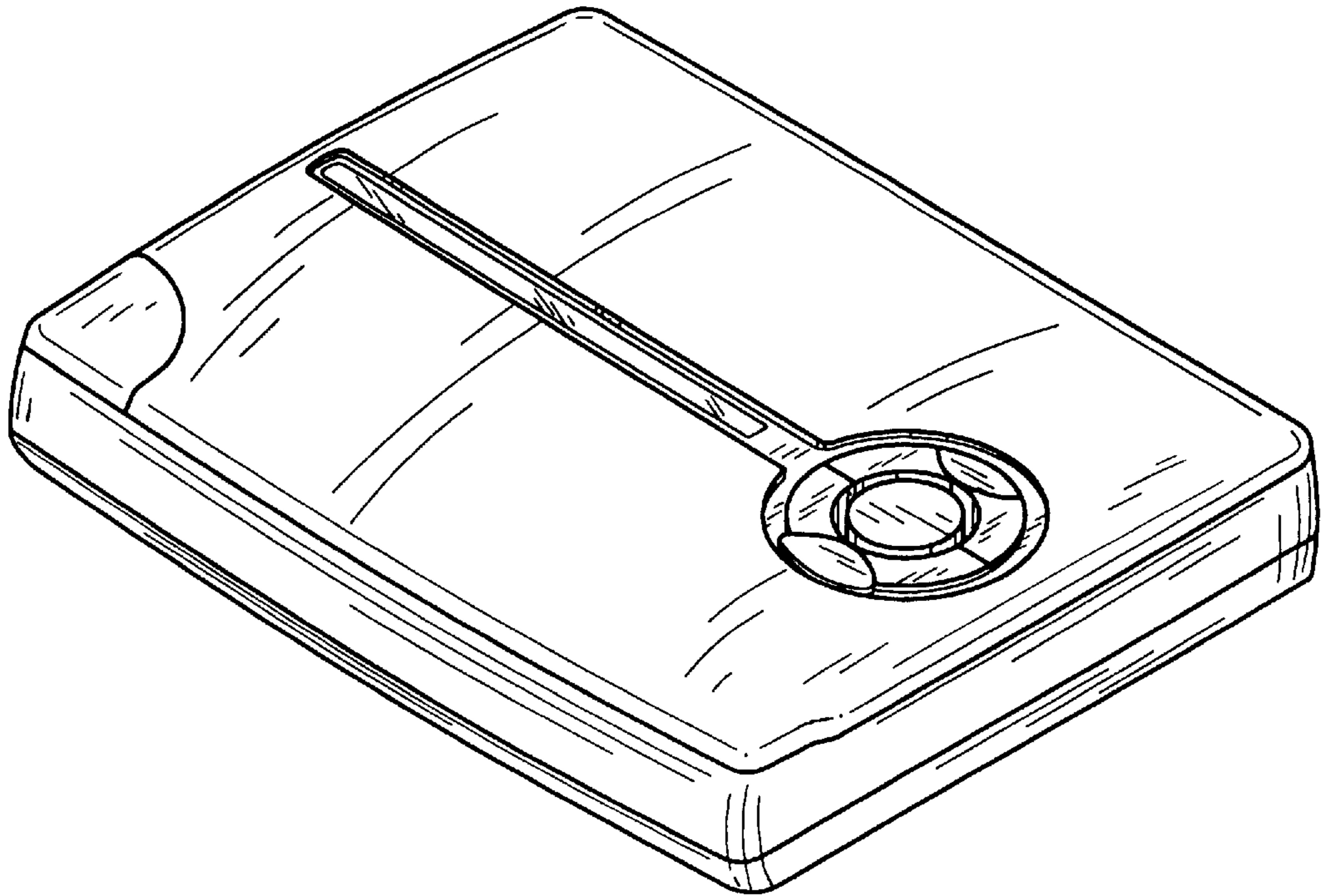


FIG.1

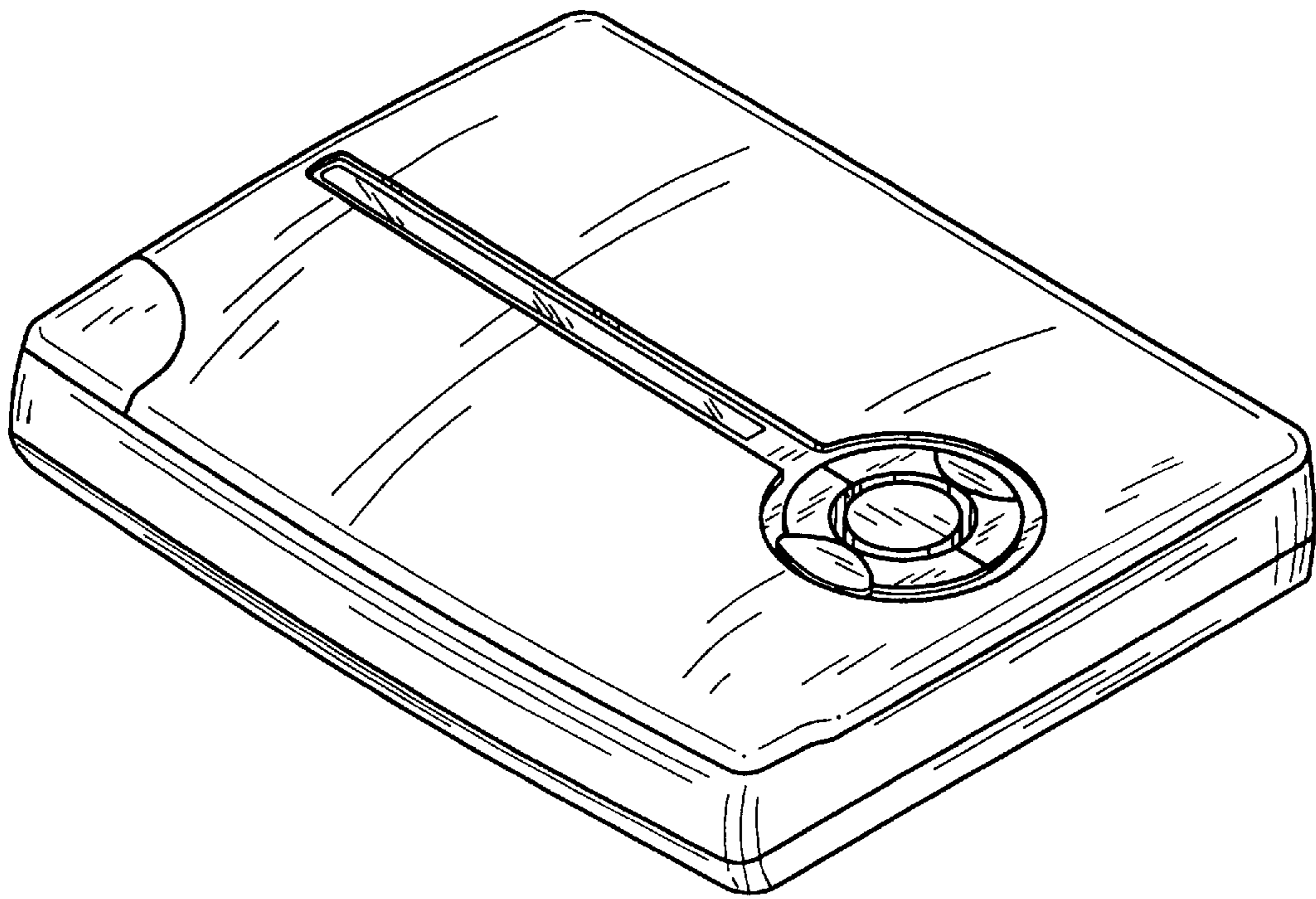


FIG.2

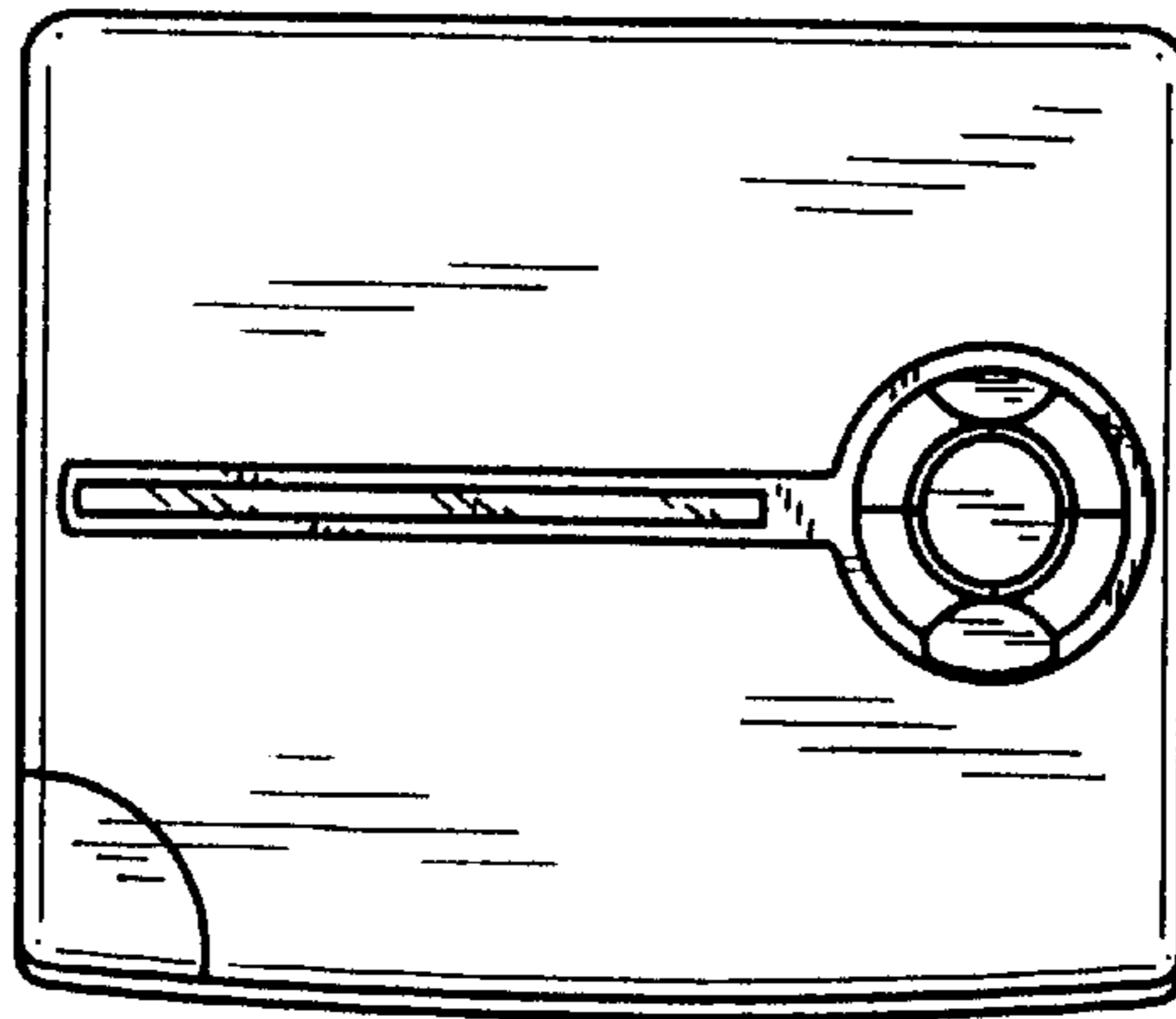


FIG.6

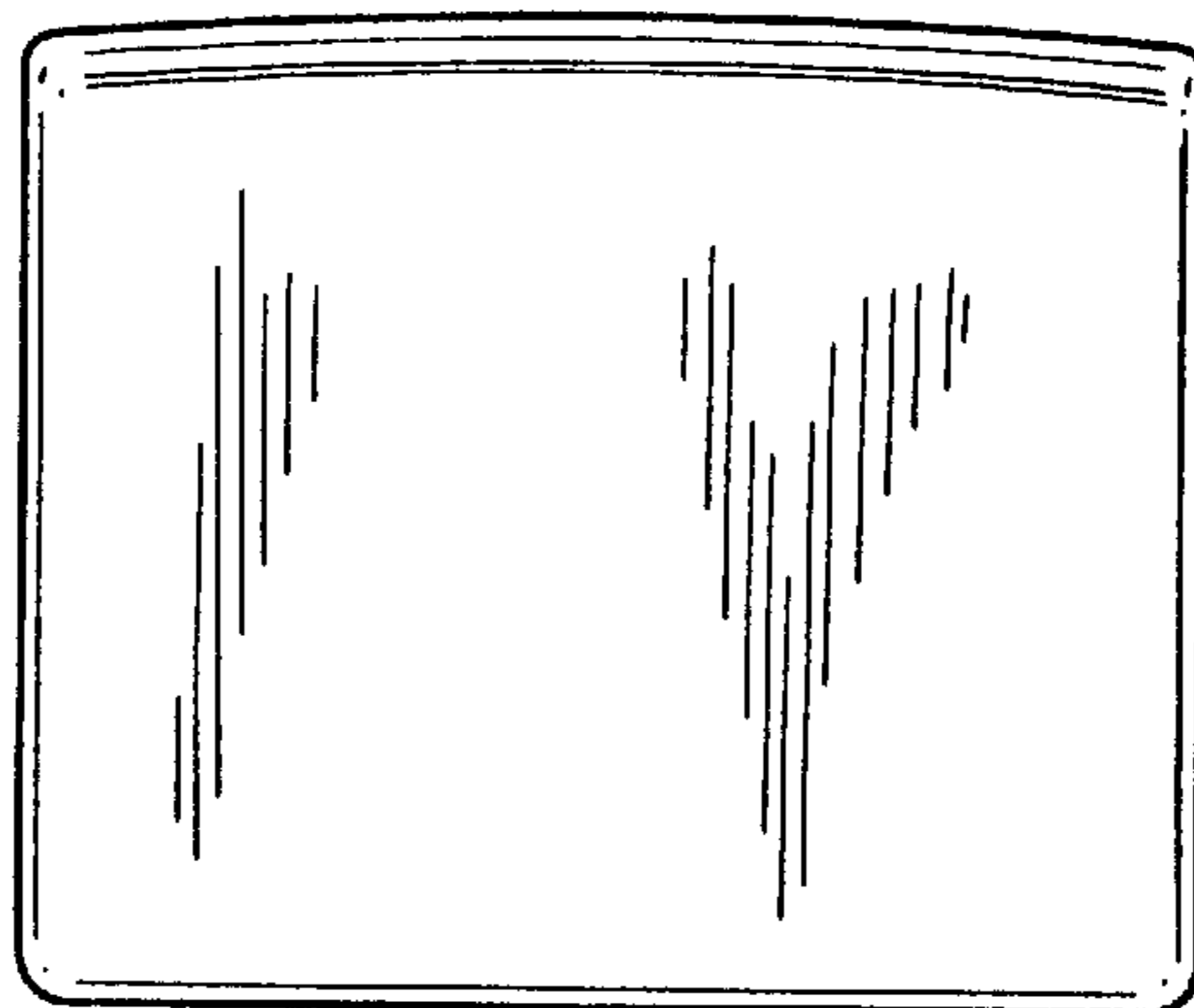


FIG.3

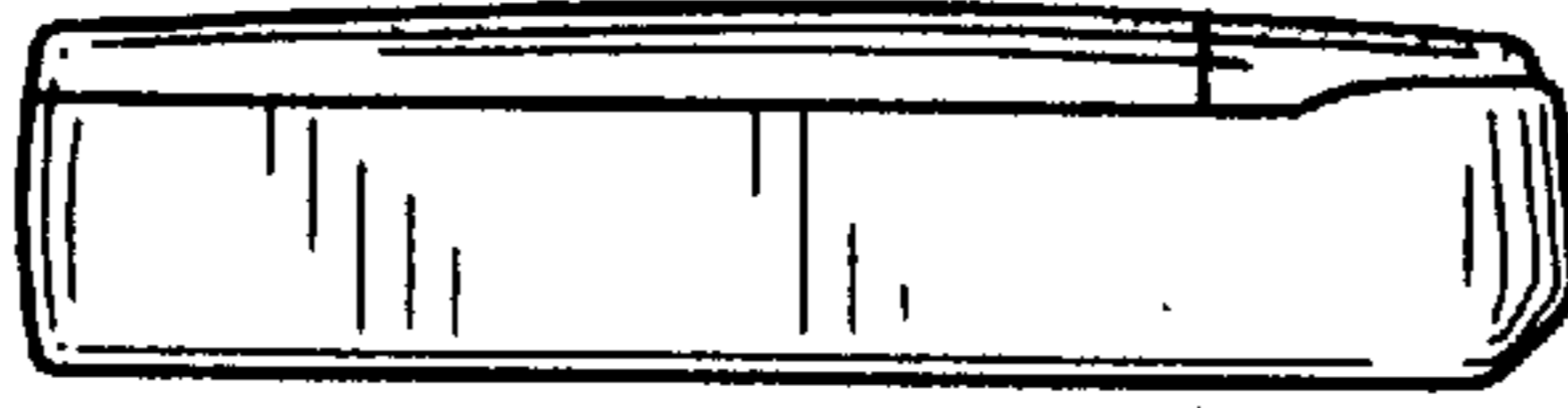


FIG.4

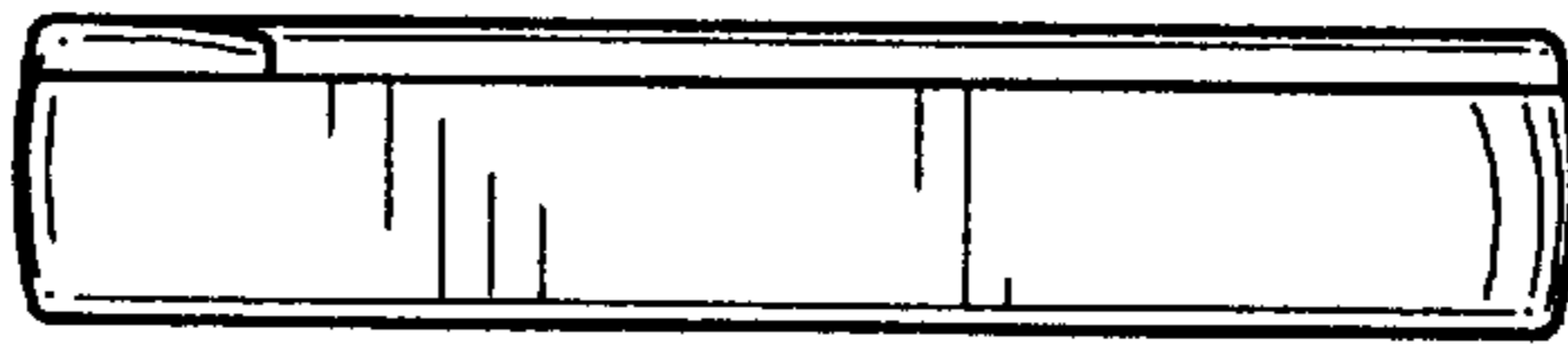


FIG.5

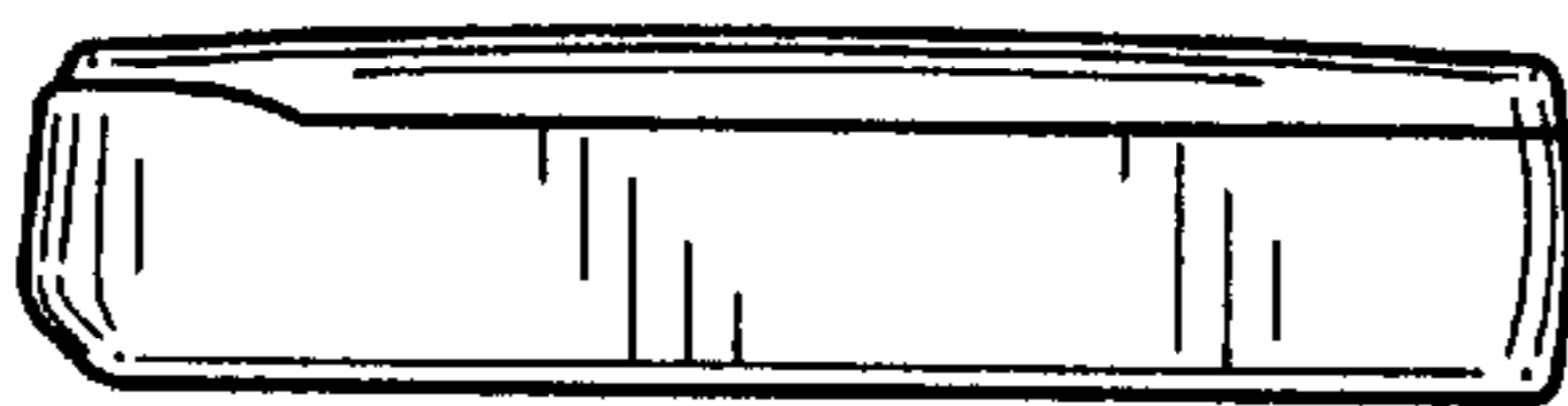


FIG.7

