

US00D406582S

United States Patent [19] Rosen

[11] **Patent Number: Des. 406,582**

[45] **Date of Patent: **Mar. 9, 1999**

[54] **OVERHEAD MONITOR**

[75] Inventor: **John B. Rosen**, Eugene, Oreg.

[73] Assignee: **Rosen Product Development, Inc.**, Eugene, Oreg.

[**] Term: **14 Years**

[21] Appl. No.: **82,347**

[22] Filed: **Jan. 21, 1998**

[51] **LOC (6) Cl.** **14-03**

[52] **U.S. Cl.** **D14/132; D14/113**

[58] **Field of Search** D14/113, 124-134; D6/513; D8/380; D12/345, 415, 418; D16/235; D19/60; D21/329; D24/158; 108/44, 137; 244/118.5; 248/917-924; 312/7.2; 340/995; 345/905; 348/148, 825, 827, 836-838, 840

[56] **References Cited**

U.S. PATENT DOCUMENTS

D. 366,067	1/1996	Mowrey	D21/329
D. 395,458	6/1998	Smith et al.	D21/329
4,504,910	3/1985	Araki et al.	340/995
4,630,821	12/1986	Greenwald	.	
4,836,486	6/1989	Vossoughi et al.	.	
5,076,524	12/1991	Reh et al.	.	
5,161,028	11/1992	Kawata et al.	.	
5,177,616	1/1993	Riday	.	
5,179,447	1/1993	Lain	.	

5,195,709	3/1993	Yasushi	.	
5,311,302	5/1994	Berry et al.	.	
5,362,144	11/1994	Shioya et al.	.	
5,467,106	11/1995	Salomon	345/905 X
5,547,248	8/1996	Marechal	.	
5,743,487	4/1998	Rice	244/118.5 X

Primary Examiner—Ted Shooman
Assistant Examiner—Richelle Shelton
Attorney, Agent, or Firm—Kolisch, Hartwell, Dickinson, McCormack & Heuser

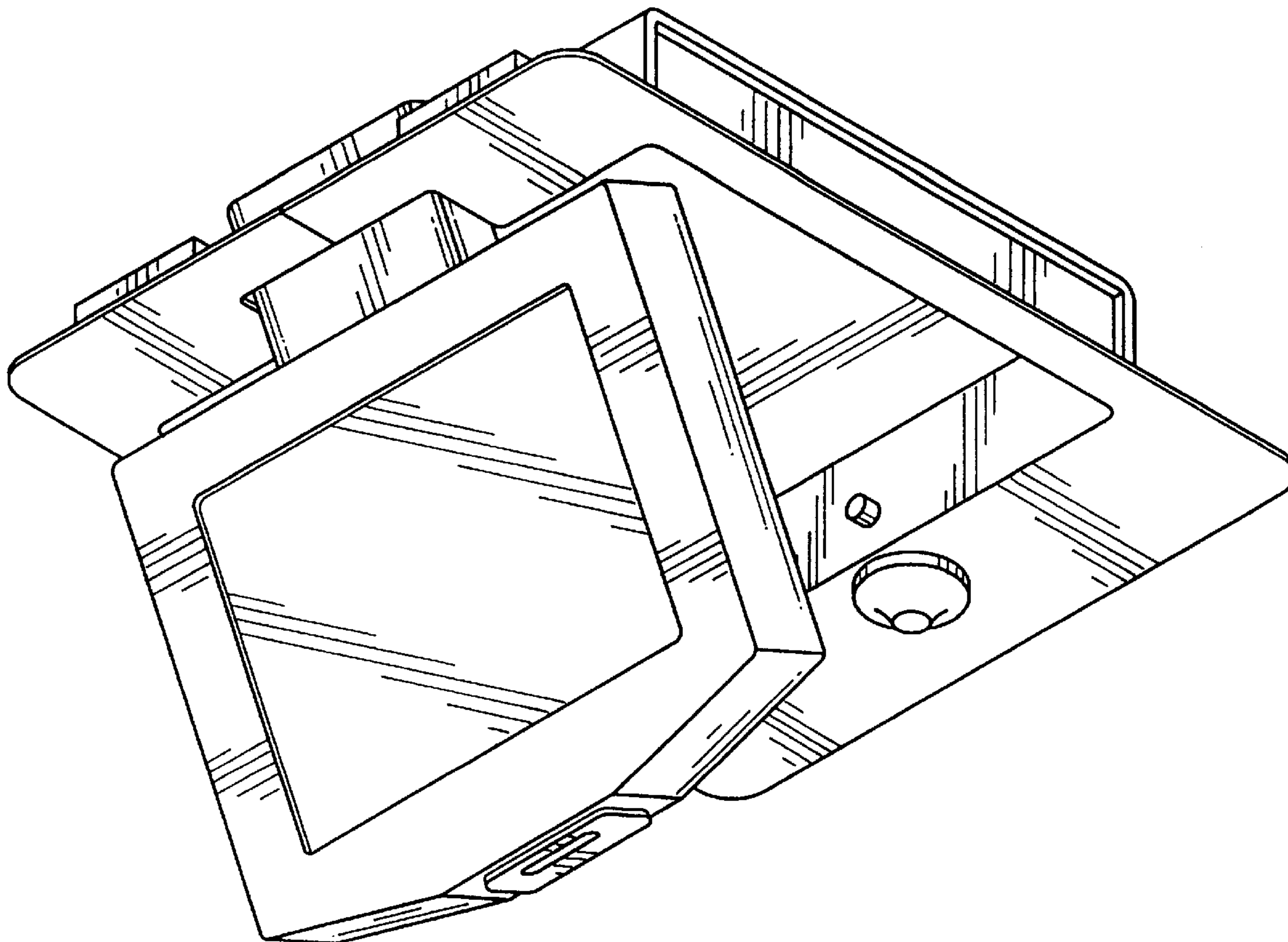
[57] **CLAIM**

The ornamental design for an overhead monitor, as shown and described.

DESCRIPTION

FIG. 1 is an isometric view of an overhead monitor constructed in accordance with the present invention, the monitor being shown in a depicted orientation; FIG. 2 is an isometric view of the overhead monitor shown in FIG. 1, but with the monitor in a stowed orientation; FIG. 3 is a front view of the overhead monitor of FIG. 1 with the monitor in the deployed orientation; FIG. 4 is a right side view of the overhead monitor of FIG. 1, the left side view being a mirror image thereof; FIG. 5 is a rear view thereof; FIG. 6 is a bottom view thereof; and, FIG. 7 is a top view thereof.

1 Claim, 3 Drawing Sheets



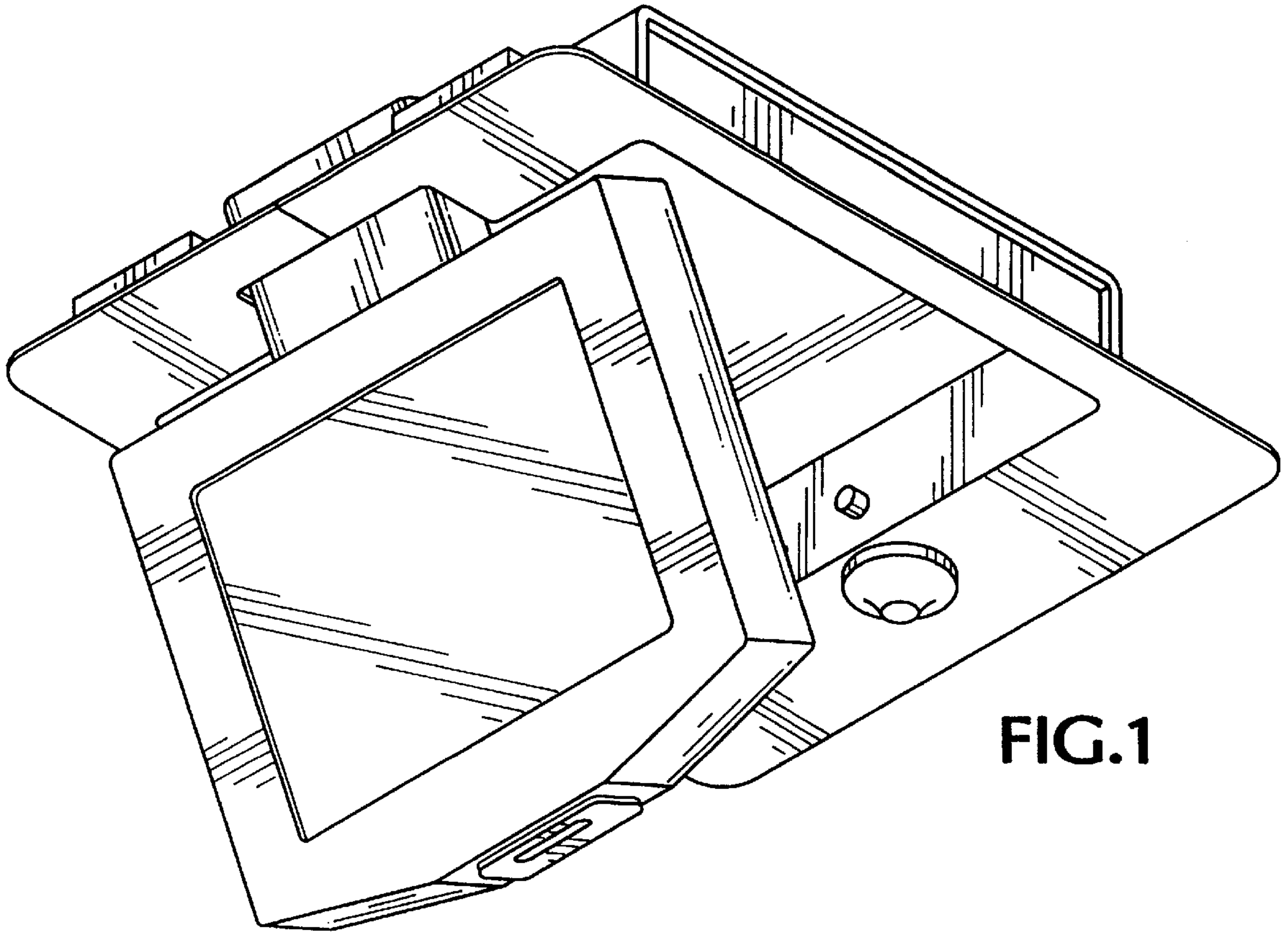


FIG. 1

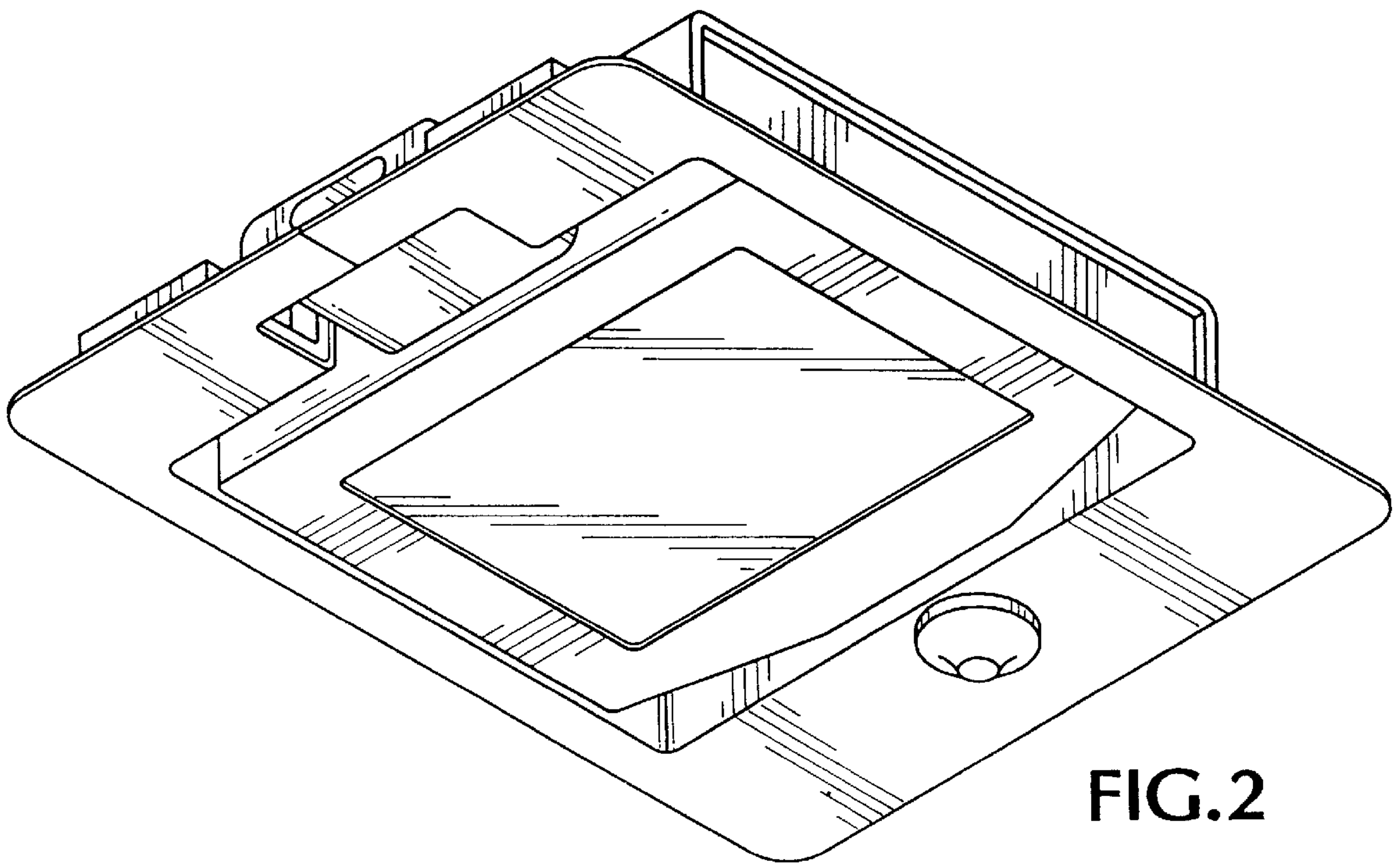


FIG. 2

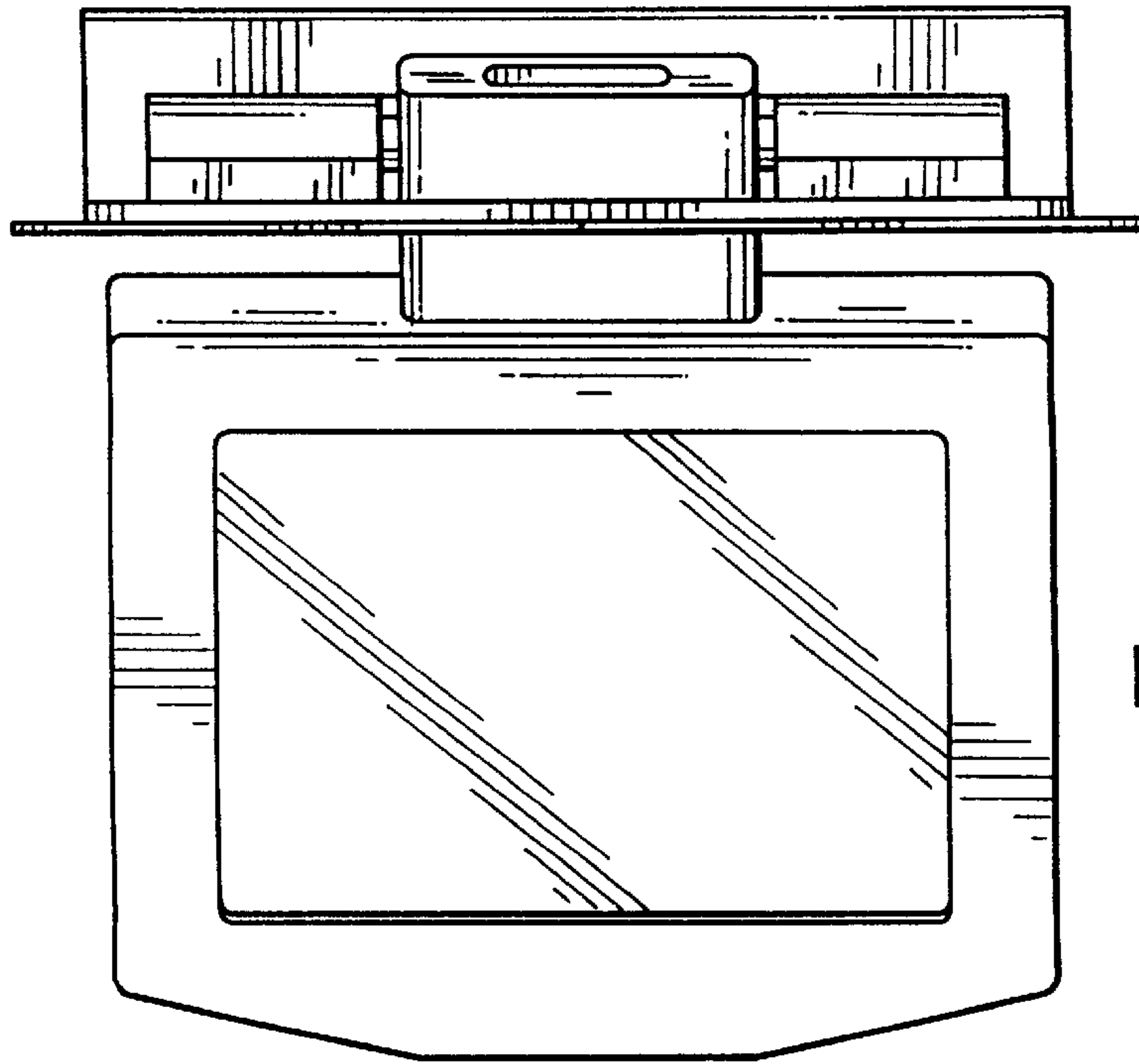


FIG.3

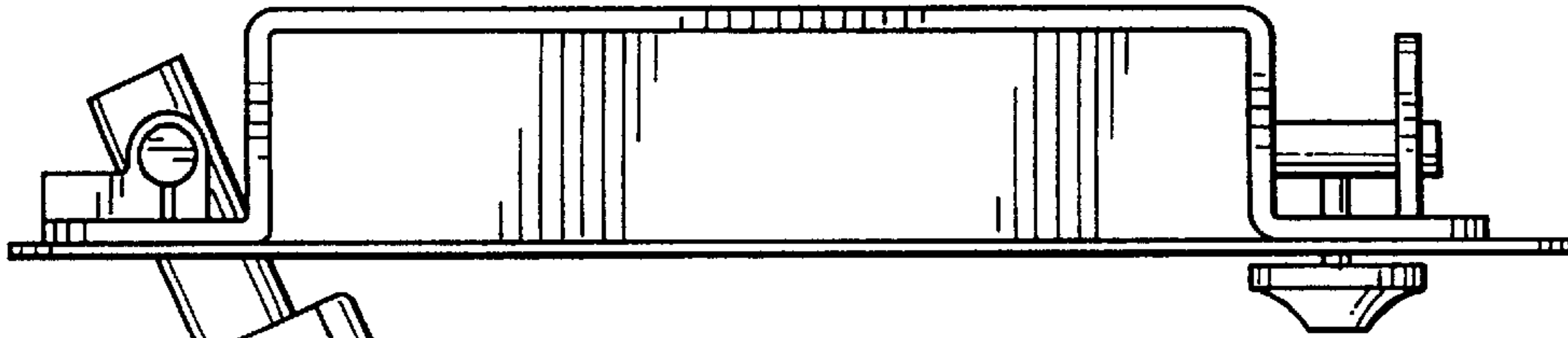


FIG.4

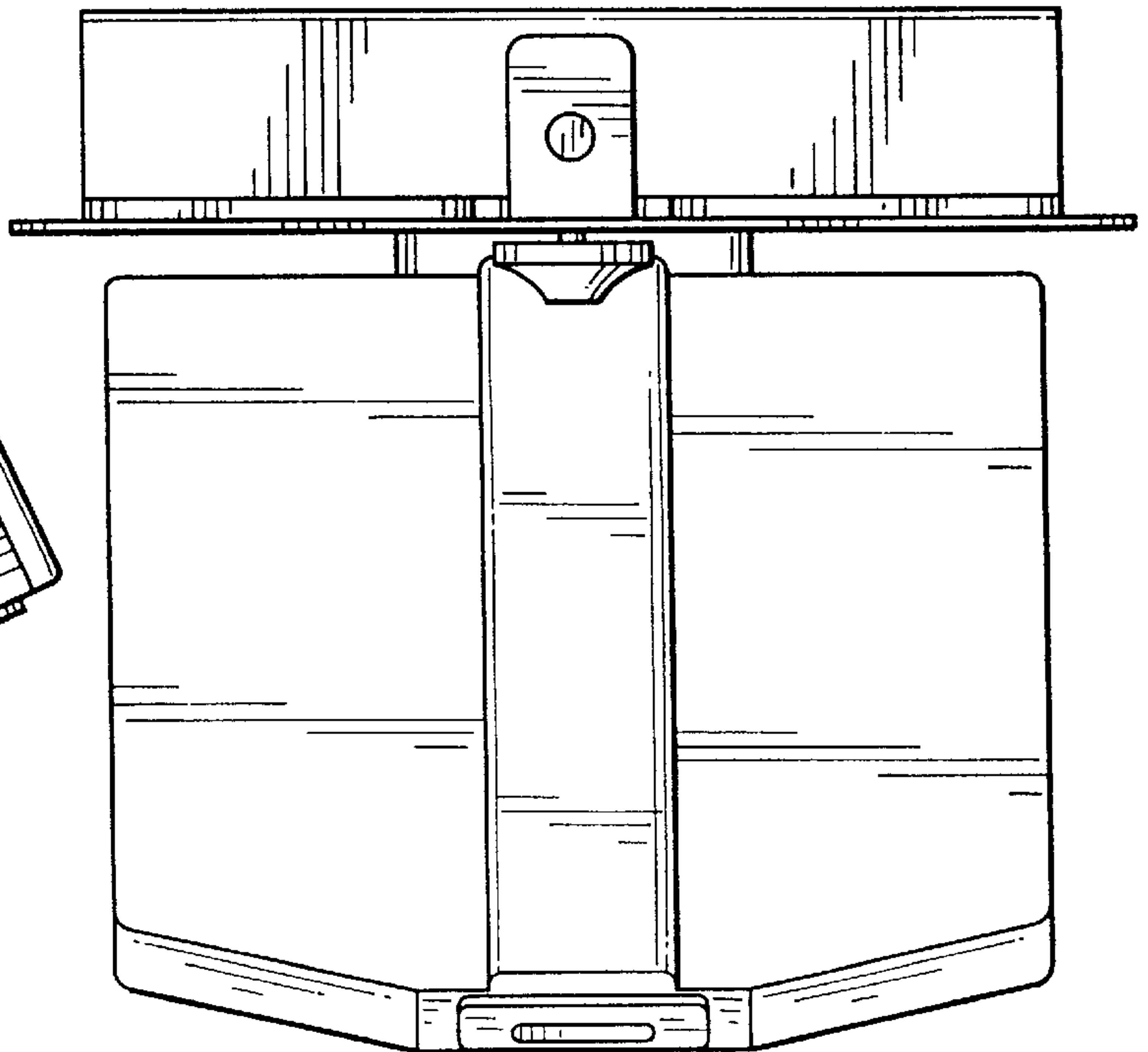


FIG.5

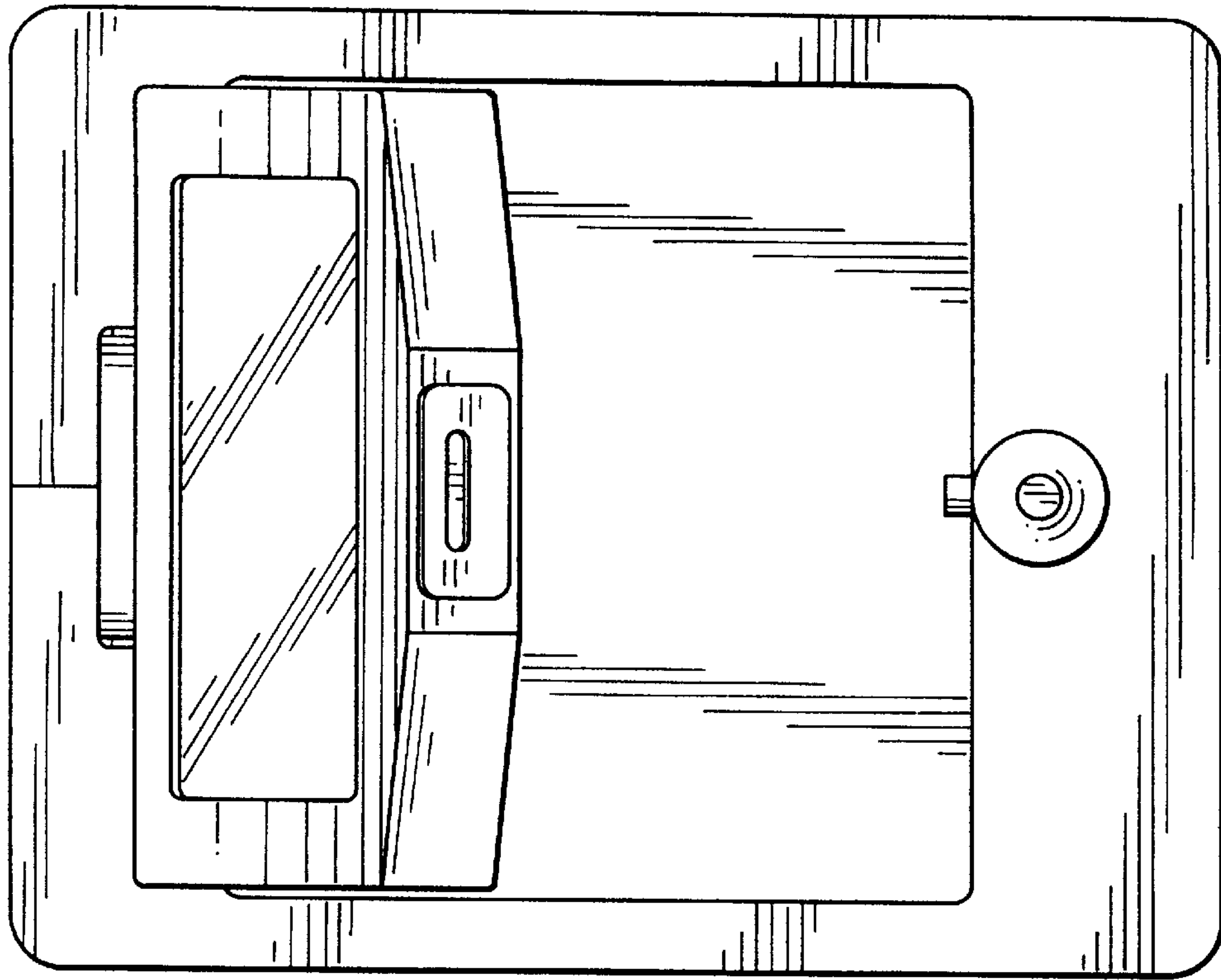


FIG. 6

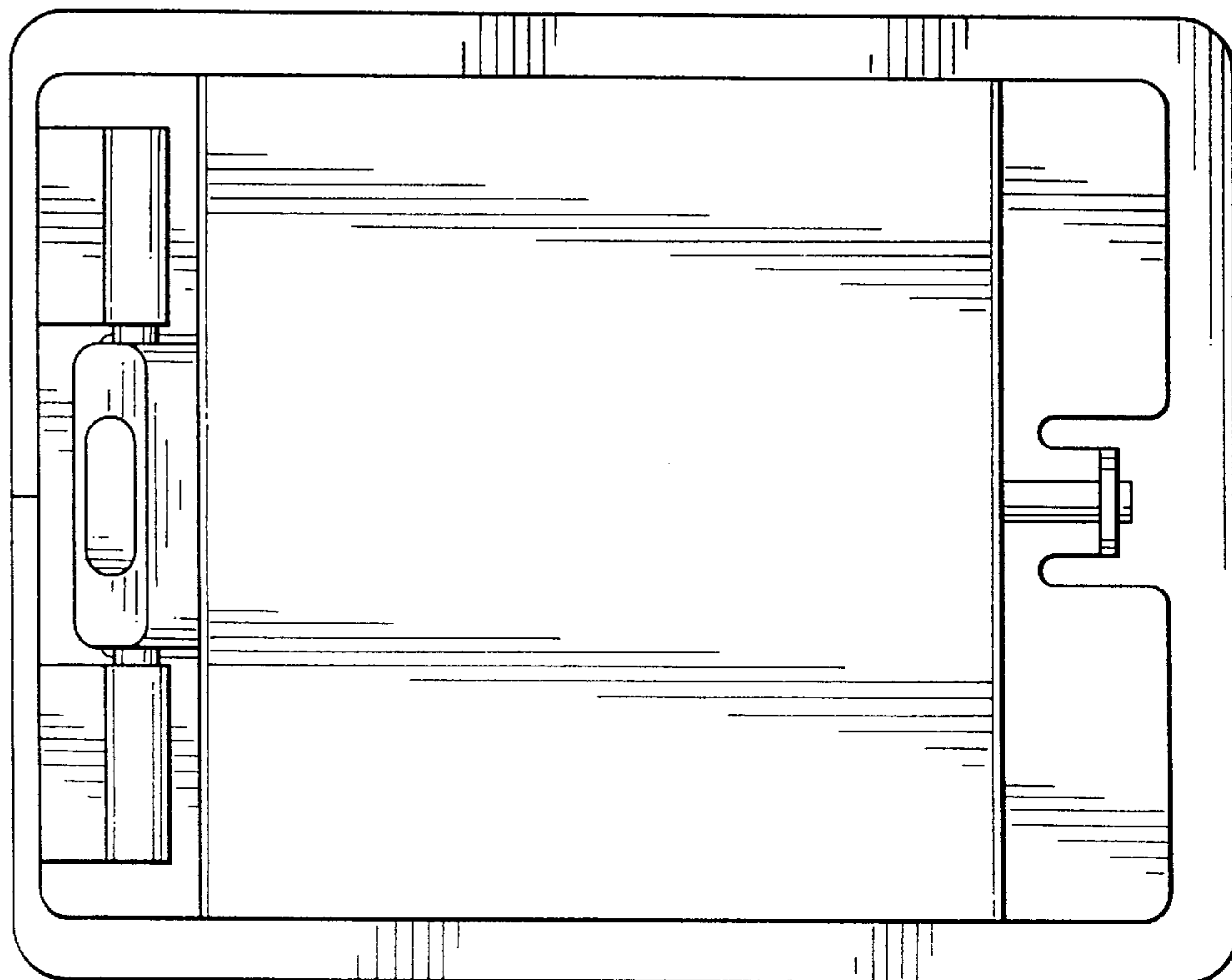


FIG. 7