

US00D406573S

United States Patent [19]

Yao

[11] **Patent Number:** **Des. 406,573**

[45] **Date of Patent:** ****Mar. 9, 1999**

[54] **MEDIA DISK SOCKET**

[76] Inventor: **Li-Ho Yao**, 4th Fl., No. 99-4, Tungan St., Taipei, Taiwan

[**] Term: **14 Years**

[21] Appl. No.: **78,779**

[22] Filed: **Oct. 16, 1997**

[51] **LOC (6) Cl.** **14-02**

[52] **U.S. Cl.** **D14/114**

[58] **Field of Search** D14/114; 361/686, 361/679, 730, 728, 736; D13/146-7, 199; 439/131, 299-300, 345, 372; 378/167

[56] **References Cited**

U.S. PATENT DOCUMENTS

- D. 308,197 5/1990 Inoue D14/114
- D. 317,913 7/1991 Inoue D14/114
- D. 351,829 10/1994 Maines D14/114

- D. 392,952 3/1998 Nakaizumi D14/114
- 4,070,081 1/1978 Takahashi 439/372
- 4,114,044 9/1978 Chiulli 378/167

Primary Examiner—M. H. Tung
Attorney, Agent, or Firm—Michael A. O’Neil

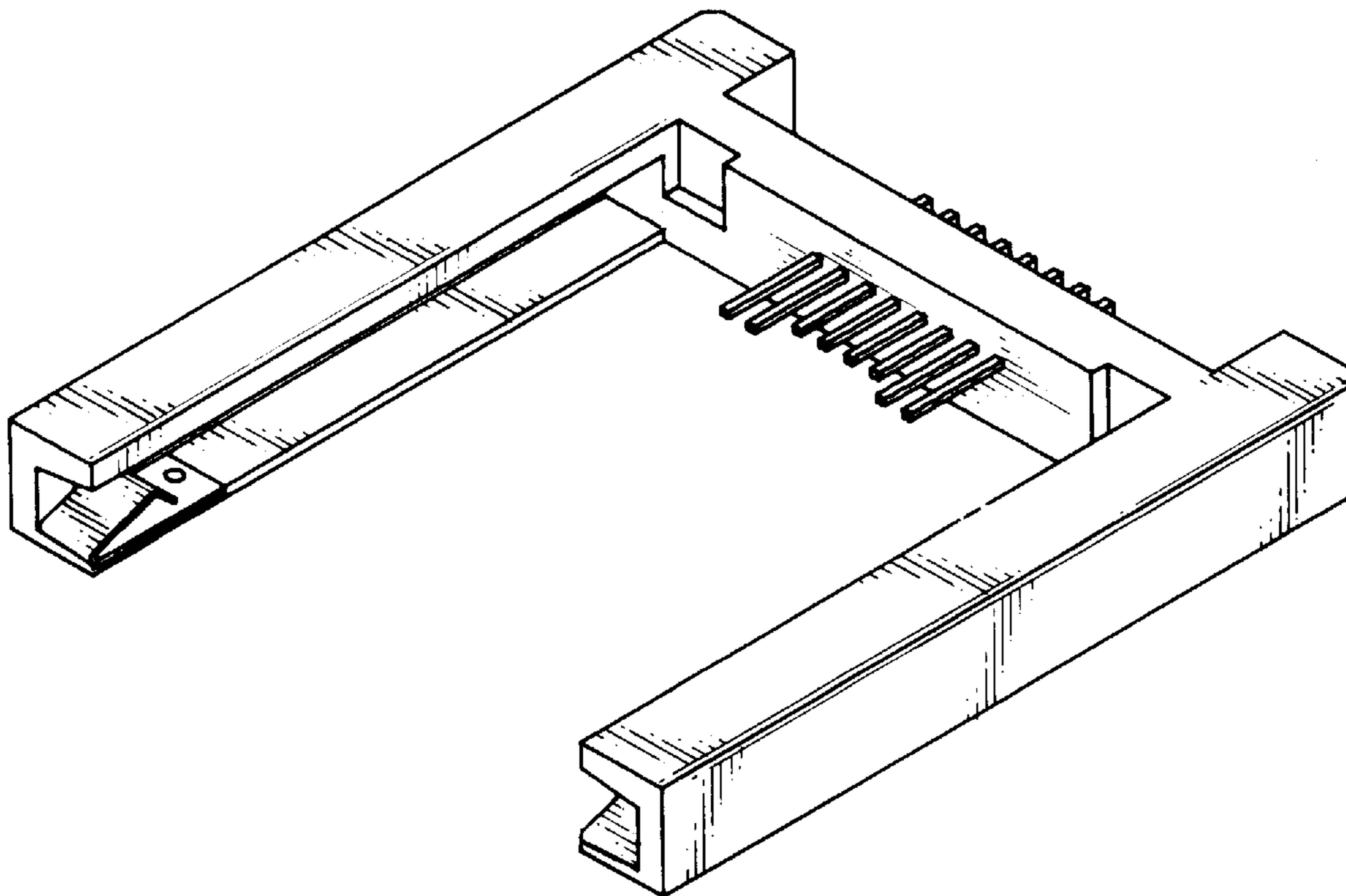
[57] **CLAIM**

The ornamental design for a media disk socket, as shown.

DESCRIPTION

FIG. 1 is a front, top and right perspective view of a media disk socket showing my new design; FIG. 2 is a front view thereof; FIG. 3 is a rear view thereof; FIG. 4 is a left side elevational view thereof; FIG. 5 is a right side elevational view thereof; FIG. 6 is a top plan view thereof; and, FIG. 7 is a bottom plan view thereof.

1 Claim, 2 Drawing Sheets



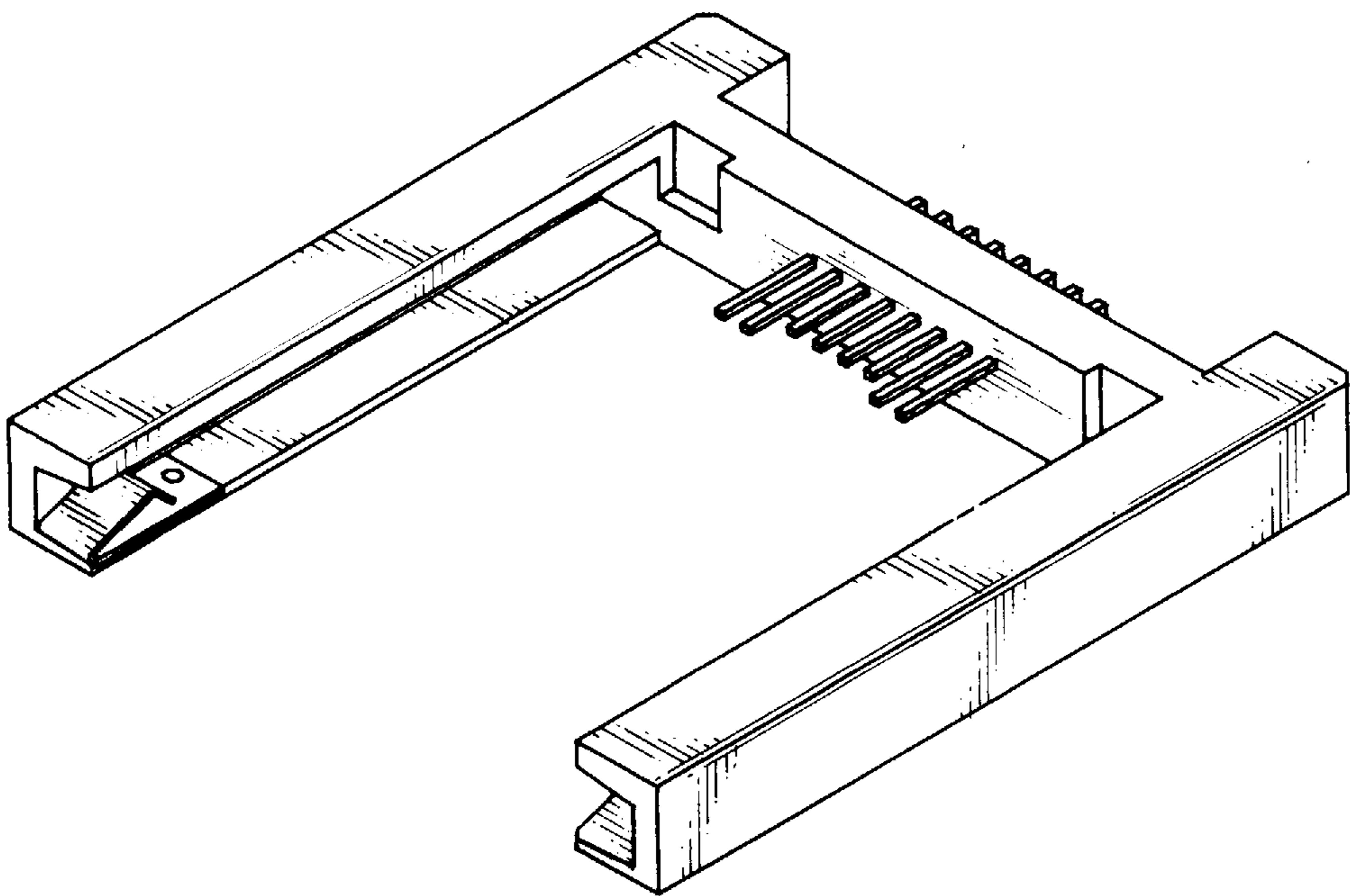


FIG. 1

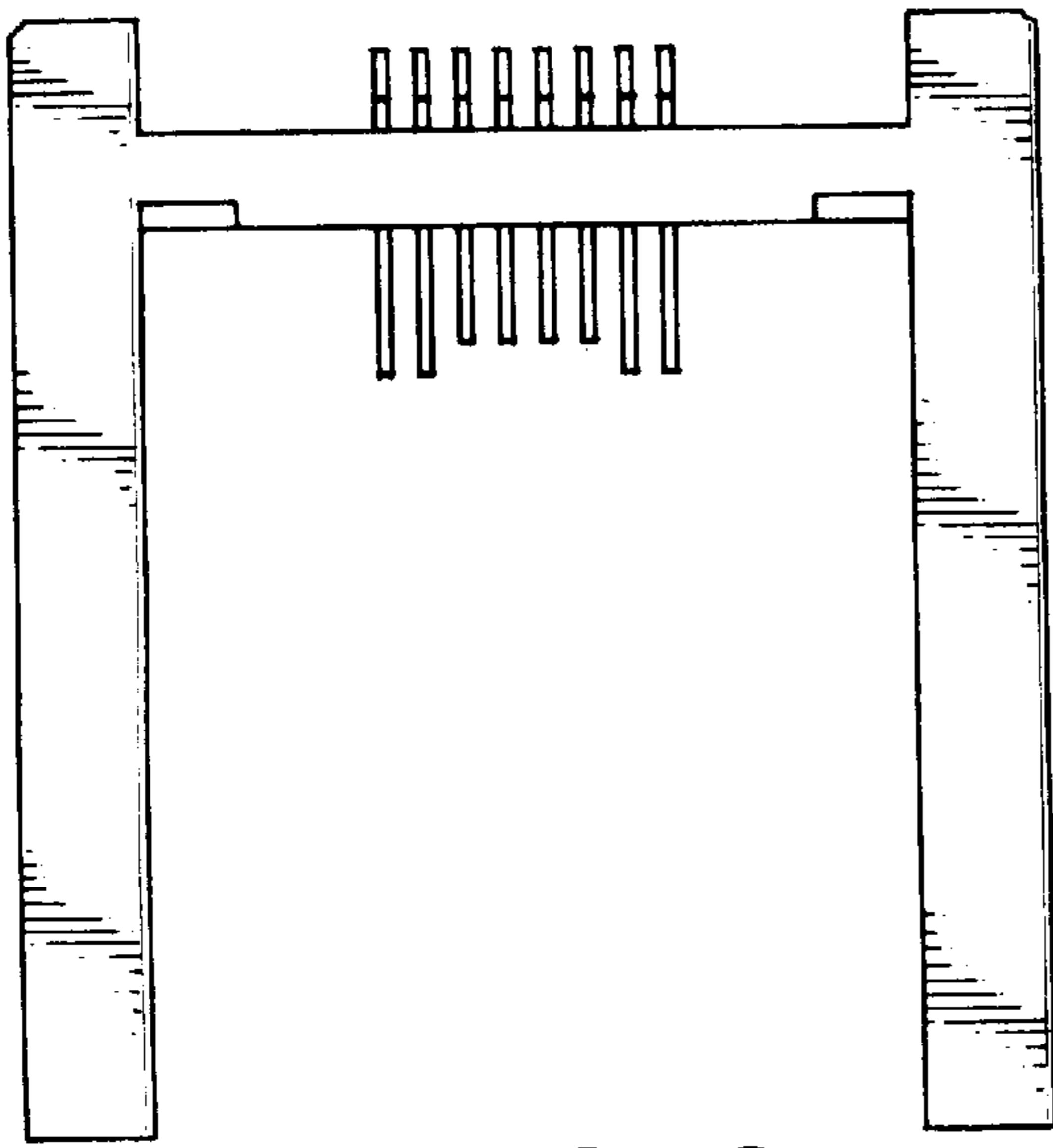


FIG. 6

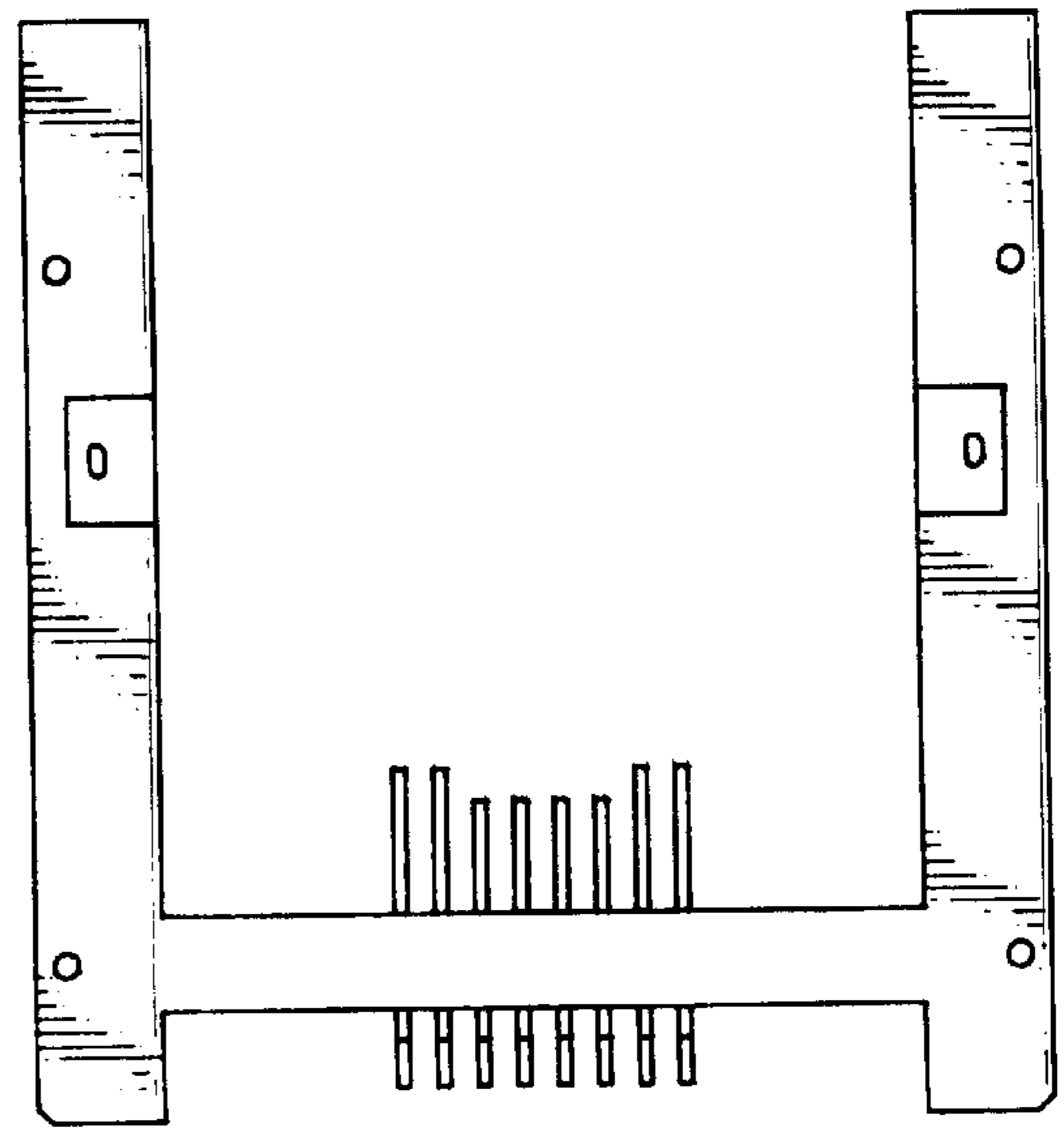


FIG. 7

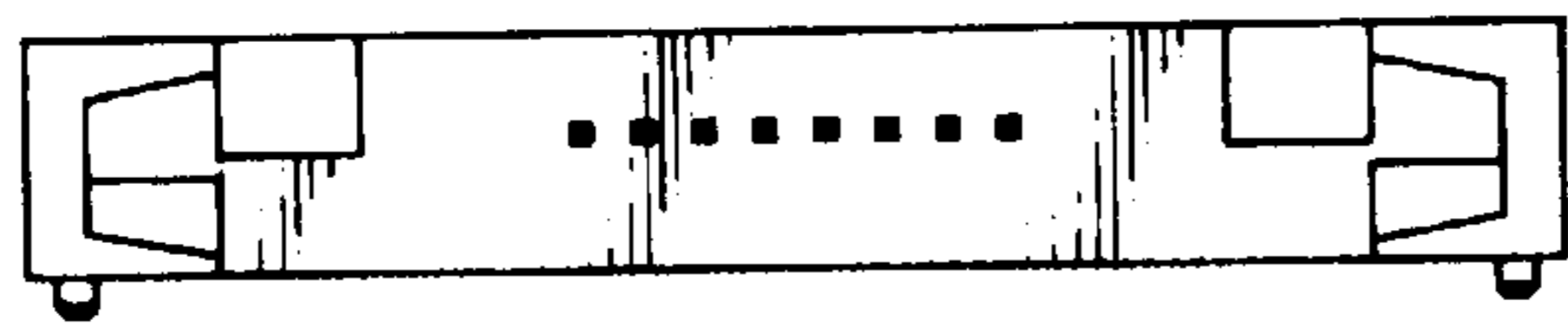


FIG. 2

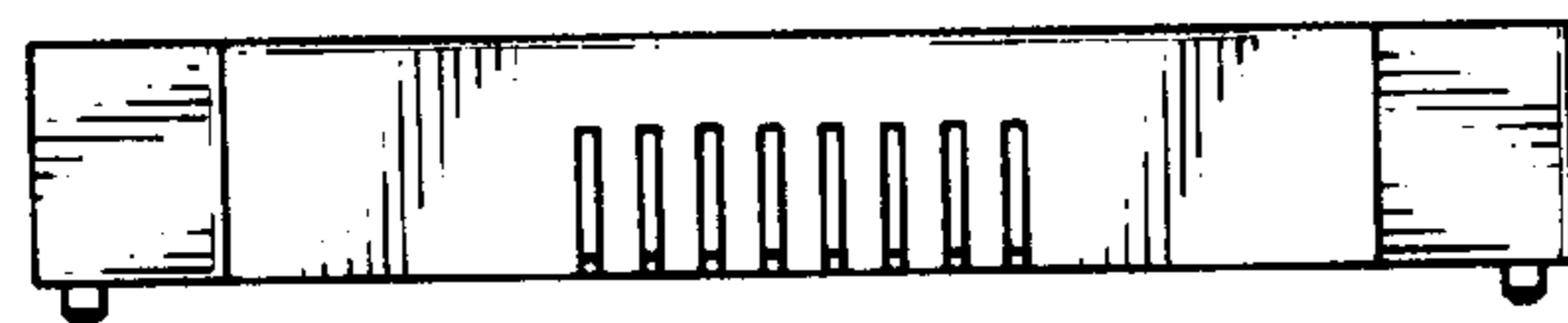


FIG. 3

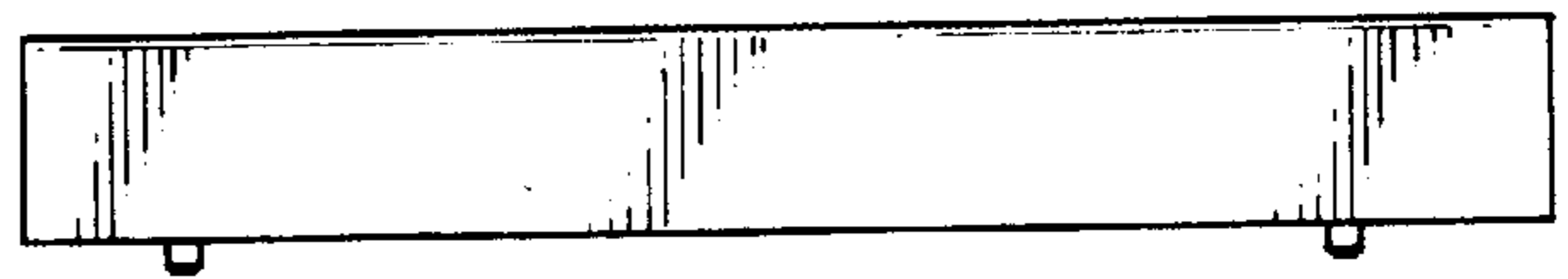


FIG. 4

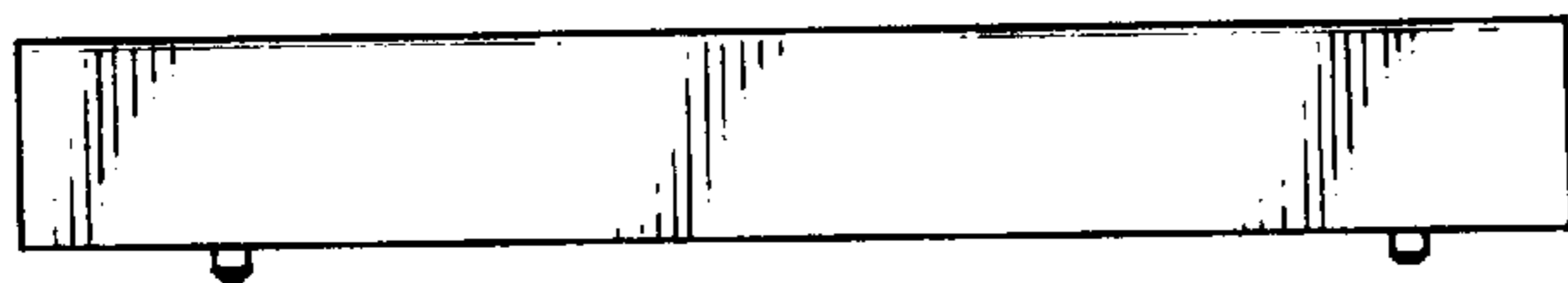


FIG. 5