



US00D406569S

# United States Patent [19]

Awbrey et al.

[11] Patent Number: **Des. 406,569**

[45] Date of Patent: **\*\*Mar. 9, 1999**

[54] **IN-LINE FUSE HOLDER**

[75] Inventors: **Jerry Awbrey**, Winder; **Michael Dewayne Brown**, Bethlehem, both of Ga.

[73] Assignee: **Esoteric Audio USA, Inc.**, Winder, Ga.

[\*\*] Term: **14 Years**

[21] Appl. No.: **81,881**

[22] Filed: **Jan. 9, 1998**

[51] **LOC (6) Cl.** ..... **13-03**

[52] **U.S. Cl.** ..... **D13/178; D13/161**

[58] **Field of Search** ..... D13/133, 151, D13/161, 178; 337/181, 186-189, 194-196, 205, 213; 439/621, 622, 698; 361/642, 833, 834

### [56] References Cited

#### U.S. PATENT DOCUMENTS

D. 381,010	7/1997	Ansley	.....	D13/178
2,271,693	2/1942	House	.....	439/698 X
4,761,148	8/1988	Sappington	.....	439/621

Primary Examiner—Alan P. Douglas  
Assistant Examiner—Lavone D. Tabor

Attorney, Agent, or Firm—Thomas, Kayden, Horstemeyer & Risley

### [57] CLAIM

The ornamental design for a in-line fuse holder, as shown and described.

### DESCRIPTION

FIG. 1 is a perspective view of a in-line fuse holder in accordance with the present invention;

FIG. 2 is a front view of the in-line fuse holder shown in FIG. 1;

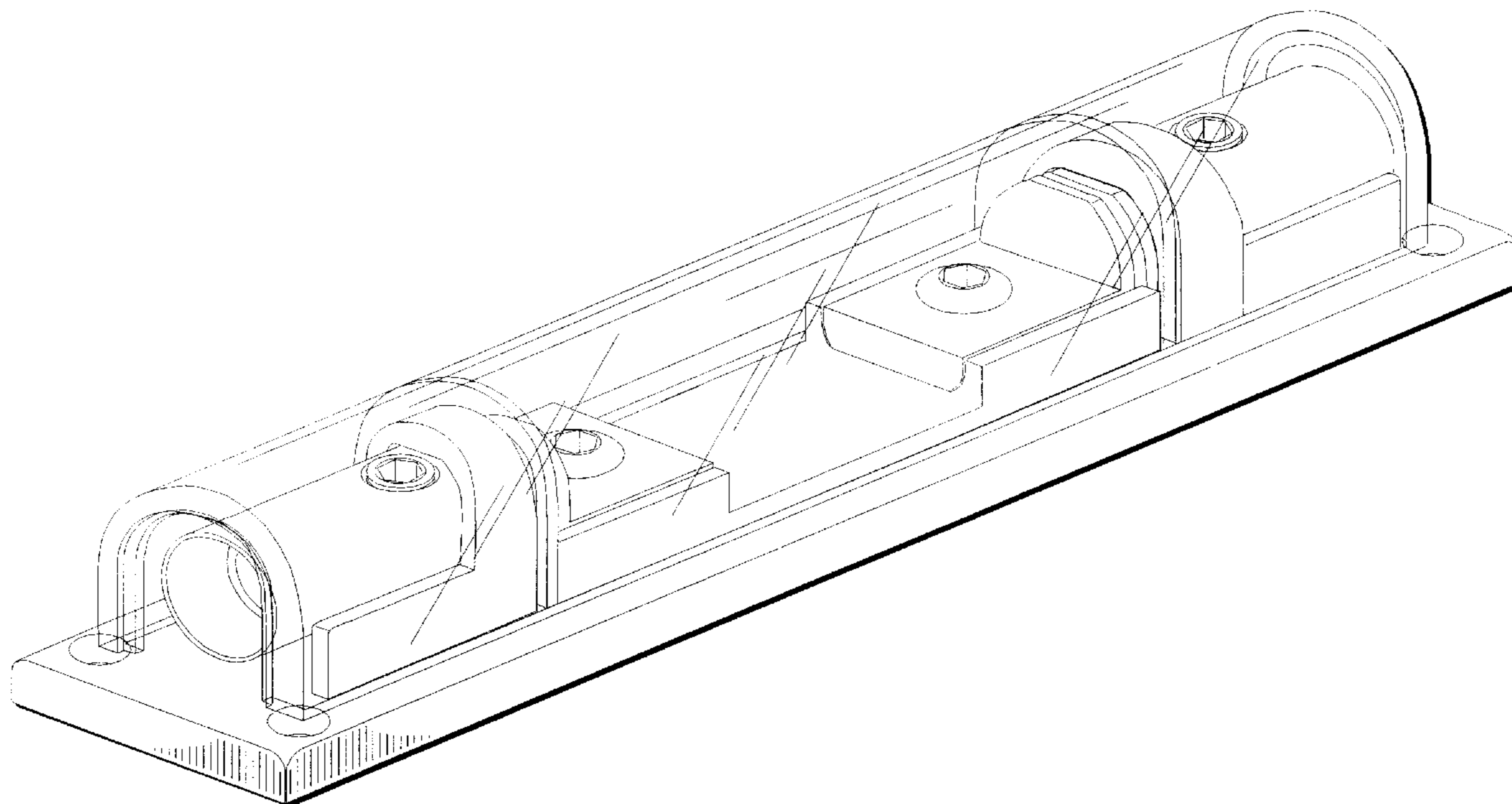
FIG. 3 is a right end view of the in-line fuse holder shown in FIG. 1;

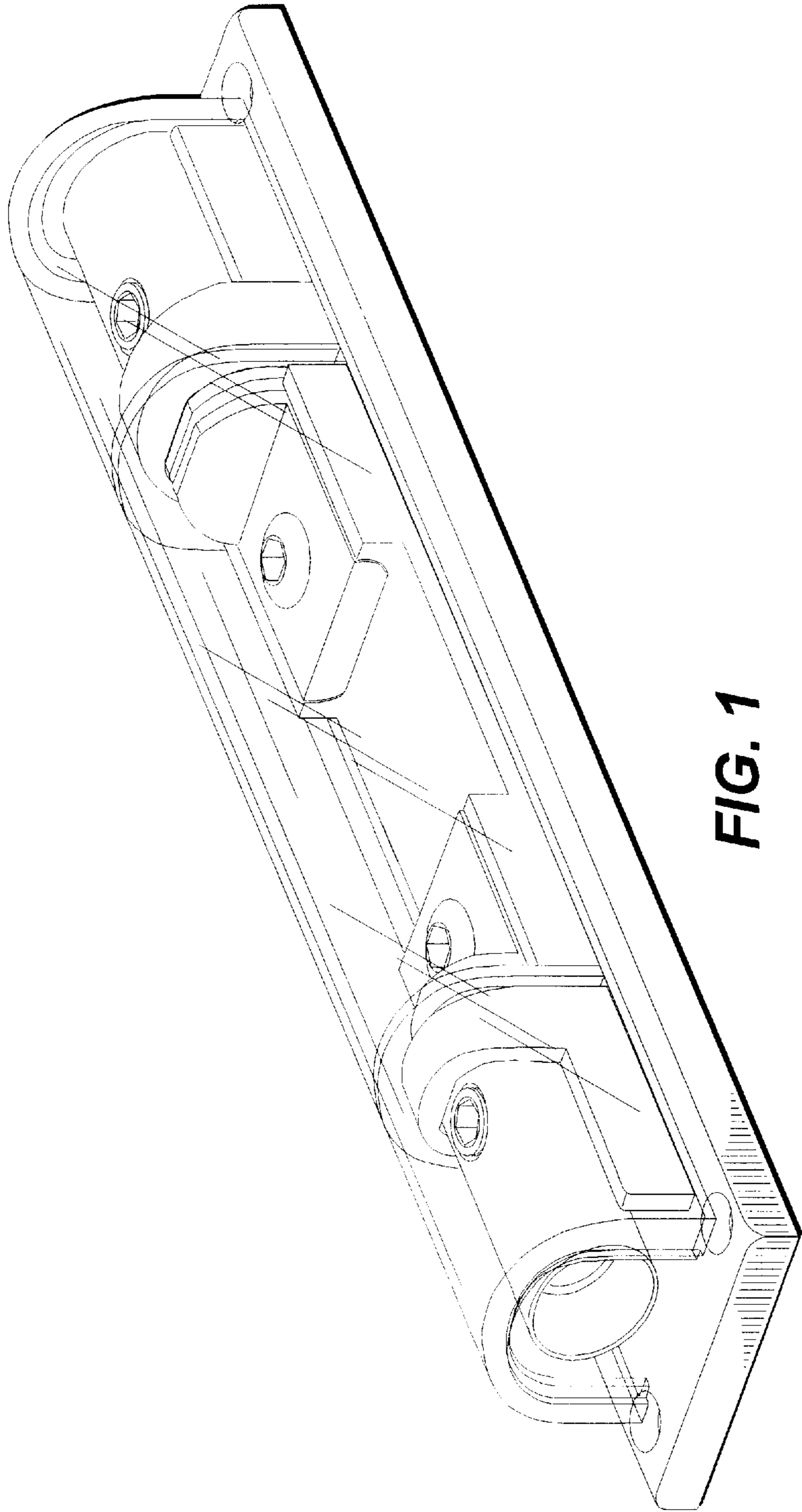
FIG. 4 is a top view of the in-line fuse holder shown in FIG. 1; and,

FIG. 5 is a bottom view of the in-line fuse holder shown in FIG. 1.

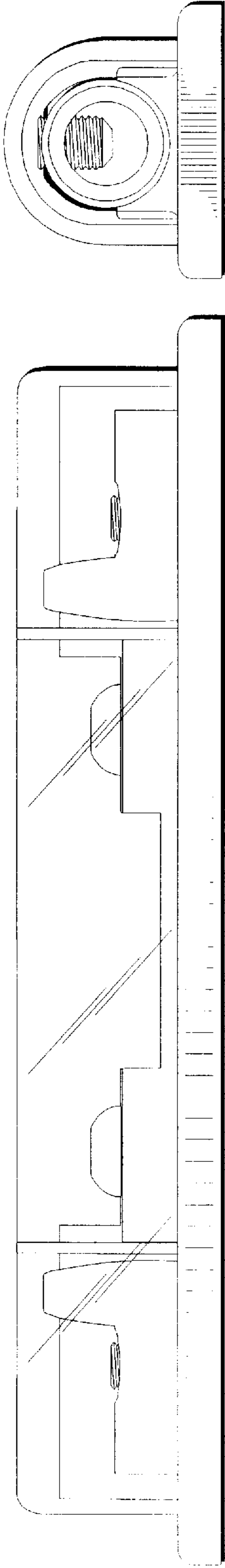
The in-line fuse holder illustrated in the drawings is symmetric, wherein a rear view is the same as the front view of FIG. 2, and a left end view is the same as the right end view of FIG. 3. Also, a curved, clear plastic cover substantially encases the fuse area.

**1 Claim, 2 Drawing Sheets**



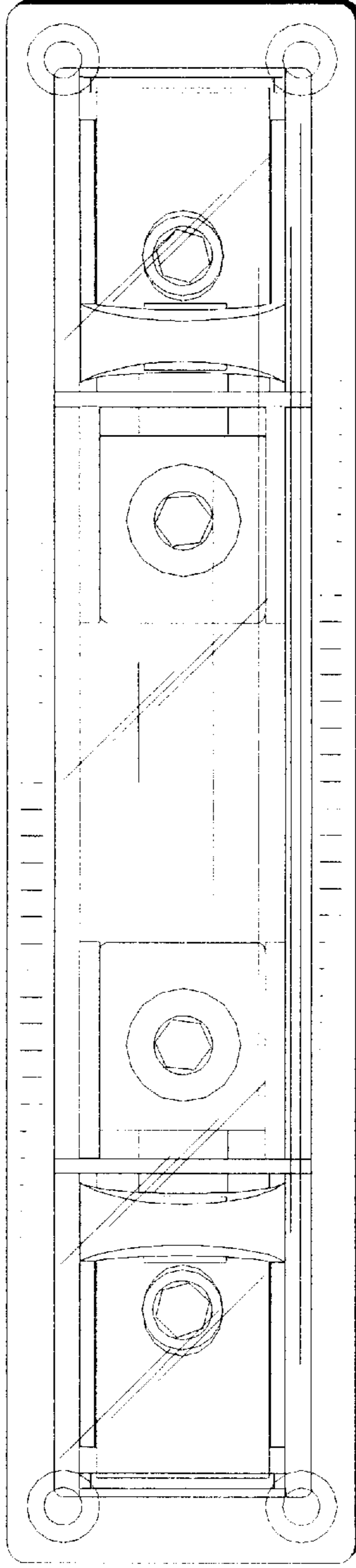


**FIG. 1**

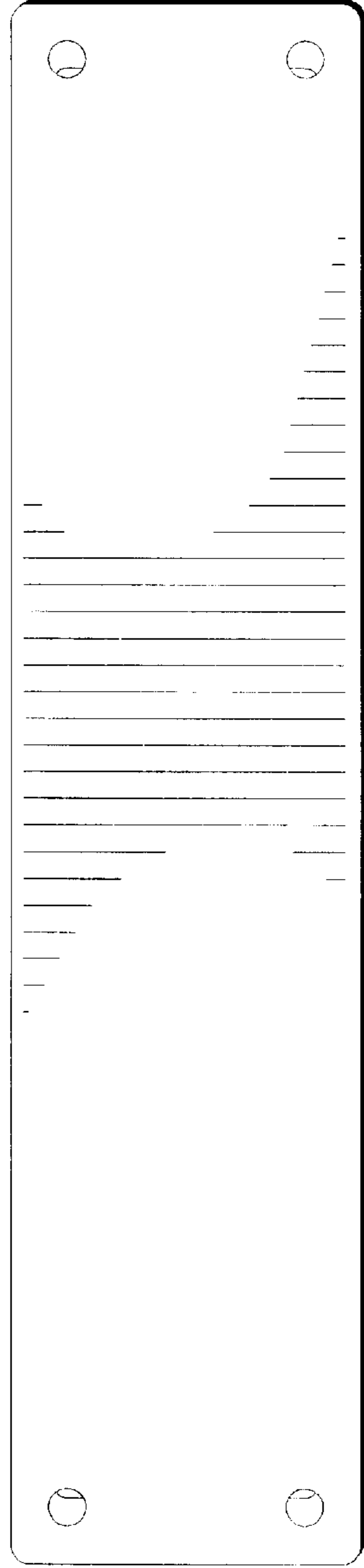


**FIG. 3**

**FIG. 2**



**FIG. 4**



**FIG. 5**