



US00D406567S

United States Patent [19]
Roman

[11] **Patent Number: Des. 406,567**
[45] **Date of Patent: **Mar. 9, 1999**

[54] **CONTROL UNIT FOR IRRIGATION SYSTEMS**

[75] Inventor: **Gianfranco Roman**, Pasiano, Italy

[73] Assignee: **Claber S.p.A.**, Fiume Veneto, Italy

[**] Term: **14 Years**

[21] Appl. No.: **84,447**

[22] Filed: **Mar. 2, 1998**

[30] **Foreign Application Priority Data**

Aug. 28, 1997 [IT] Italy MI9700502

[51] **LOC (6) Cl.** **13-03**

[52] **U.S. Cl.** **D13/162.1; D13/168**

[58] **Field of Search** D10/46, 96, 99,
D10/102; D13/162, 168, 162.1; D21/324;
D14/174, 191, 218; 340/825, 825.22, 825.23,
825.24, 825.25, 825.31, 825.32, 825.36,
825.58, 825.69, 825.72; 123/179.2; 341/176

[56] **References Cited**

U.S. PATENT DOCUMENTS

D. 279,291 6/1985 Ueda D14/218 X

D. 300,030 2/1989 Barrett et al. D14/218
D. 348,653 7/1994 Cheng D13/168
D. 351,141 10/1994 Van Akkeren et al. D13/168
D. 393,629 4/1998 Tsui D13/168

Primary Examiner—Brian N. Vinson
Attorney, Agent, or Firm—Jacobson, Price, Holman & Stern, PLLC

[57] **CLAIM**

The ornamental design for a control unit for irrigation systems, as shown and described.

DESCRIPTION

FIG. 1 is a top, front, and left side perspective view of a control unit for irrigation systems showing my new design; FIG. 2 is a top plan view thereof; FIG. 3 is a right side elevational view thereof; FIG. 4 is a left side elevational view thereof; FIG. 5 is a front elevational view thereof; FIG. 6 is a rear elevational view thereof; and, FIG. 7 is a top, front, and left side perspective view thereof, with the front panel shown rotated into a closed position.

1 Claim, 7 Drawing Sheets

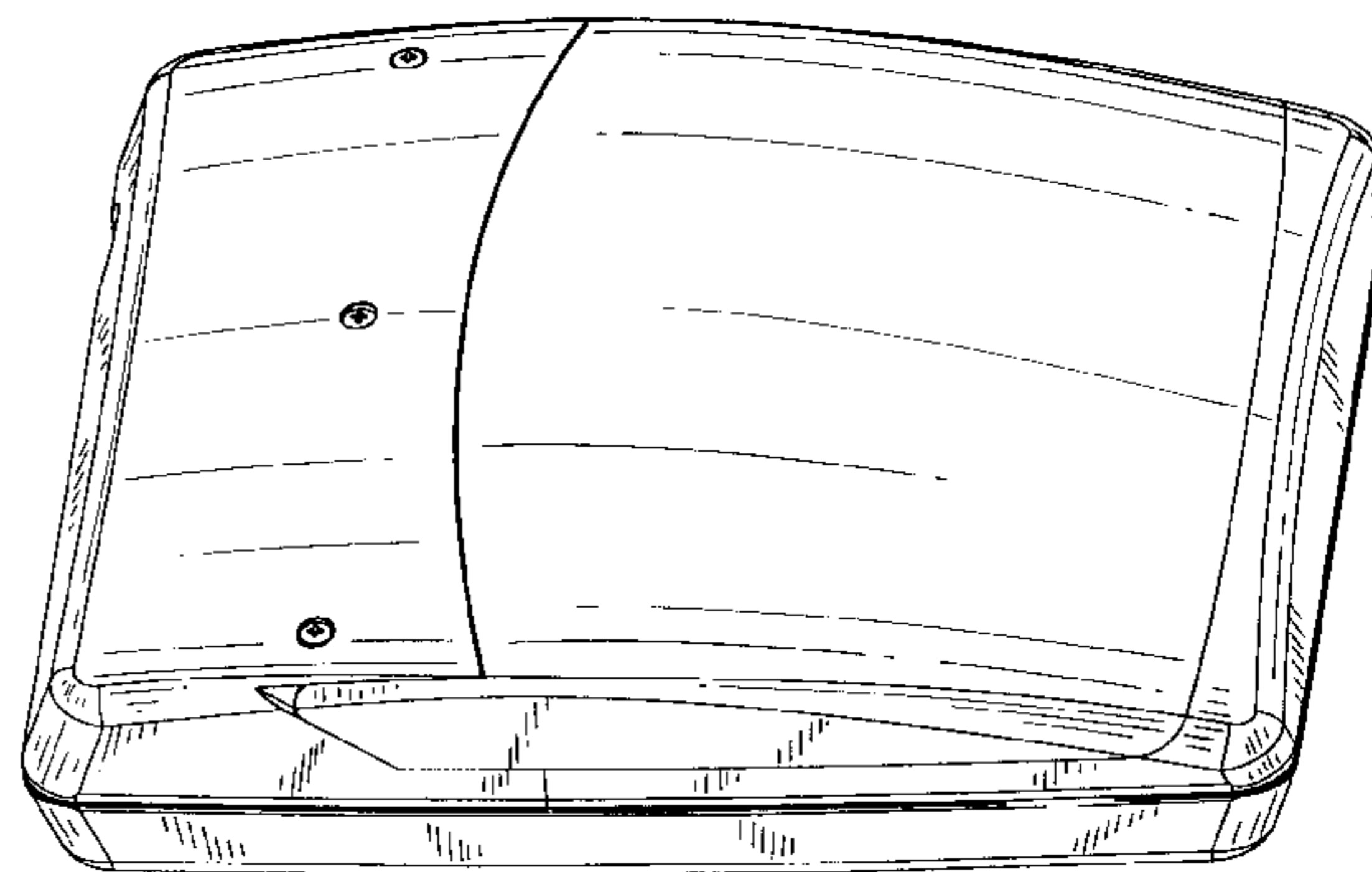
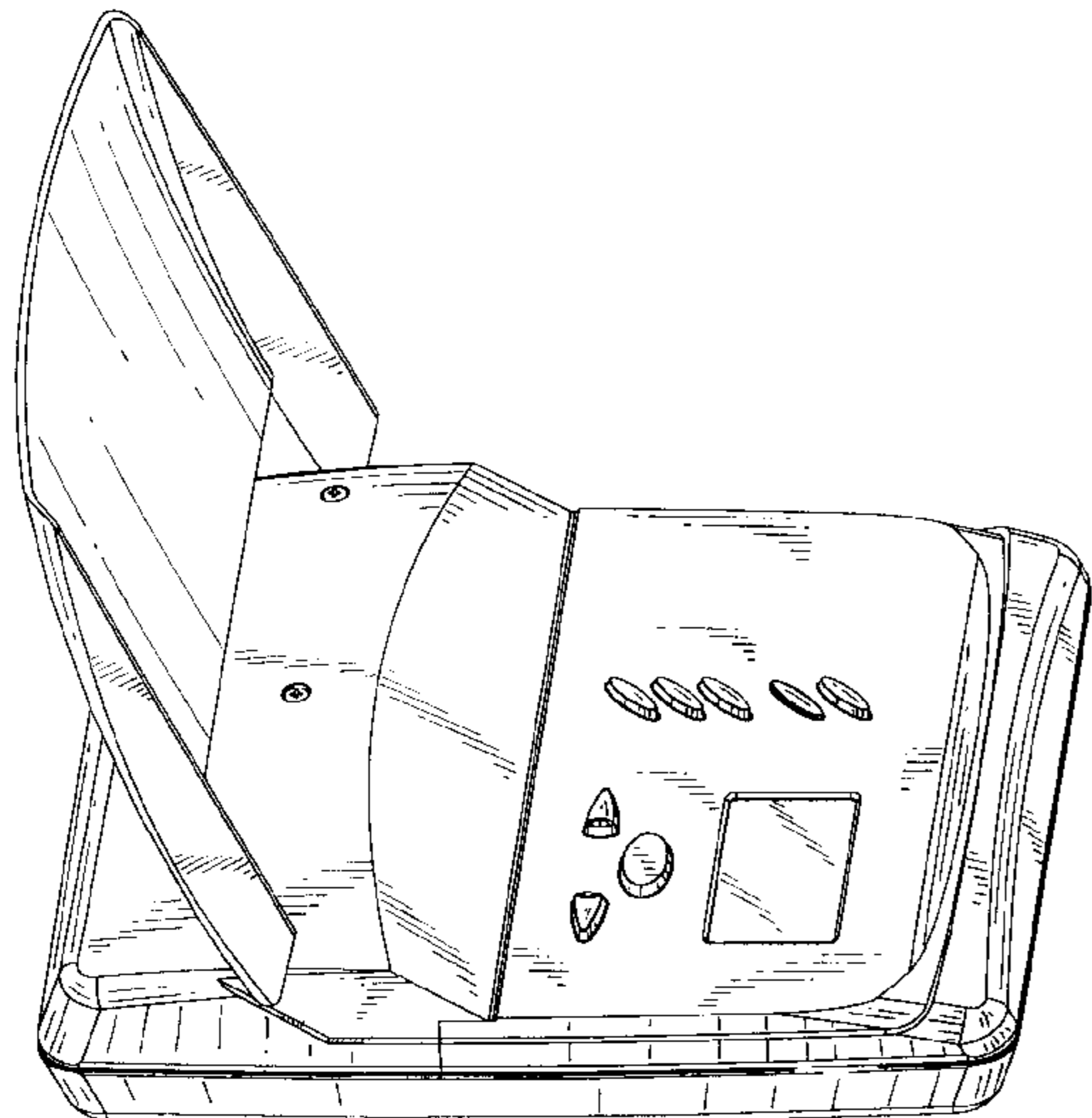
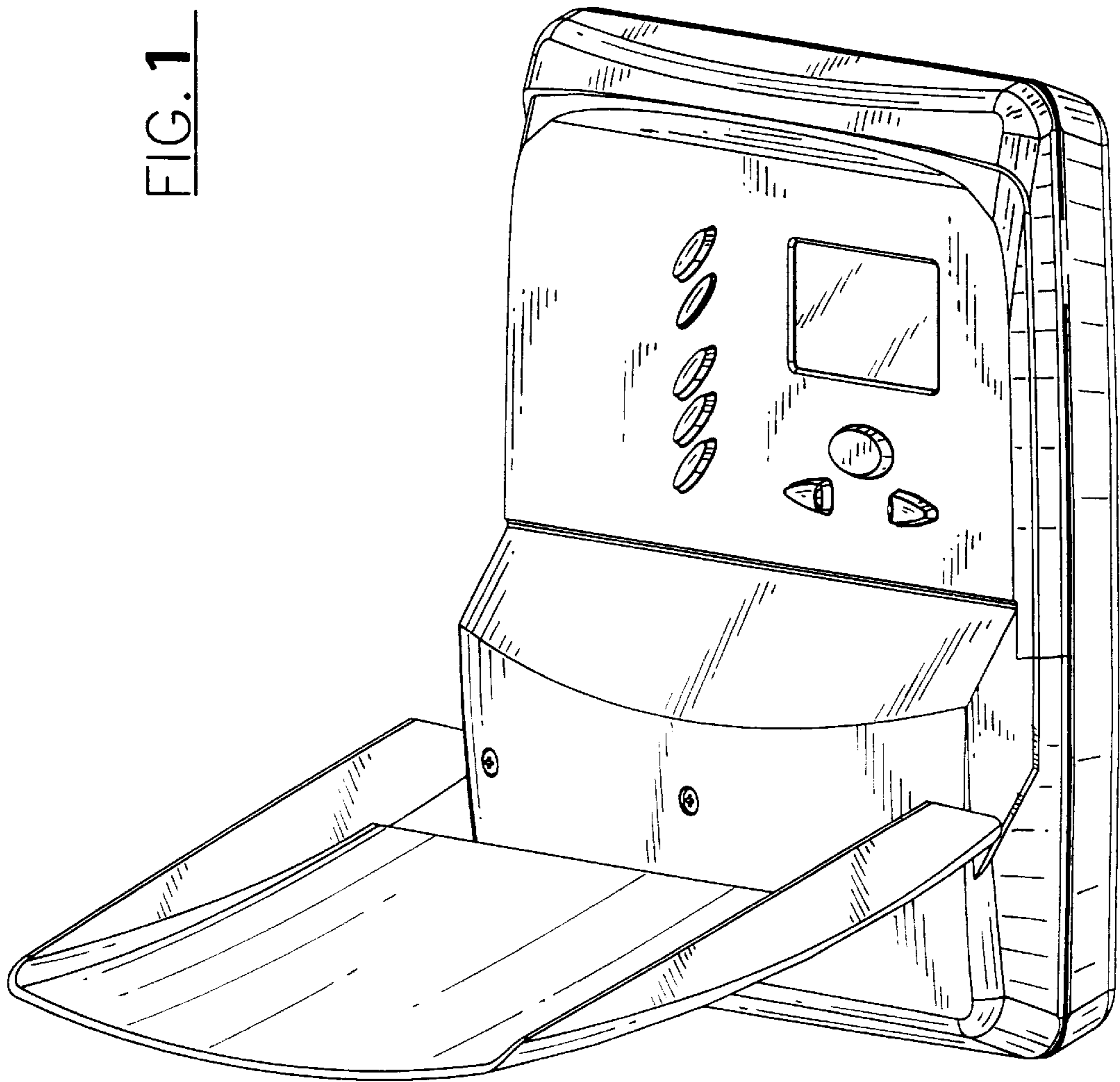


FIG. 1



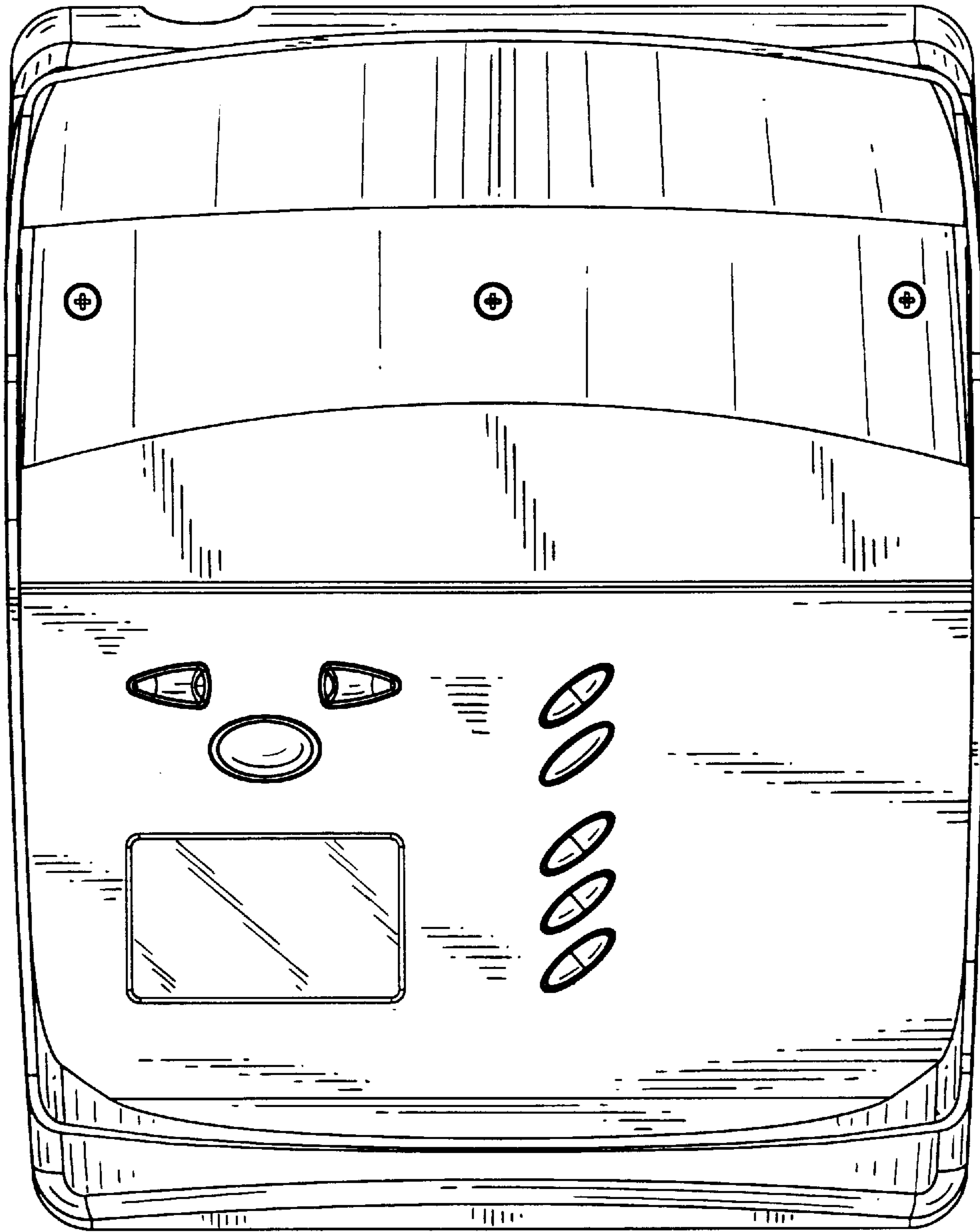


FIG. 2

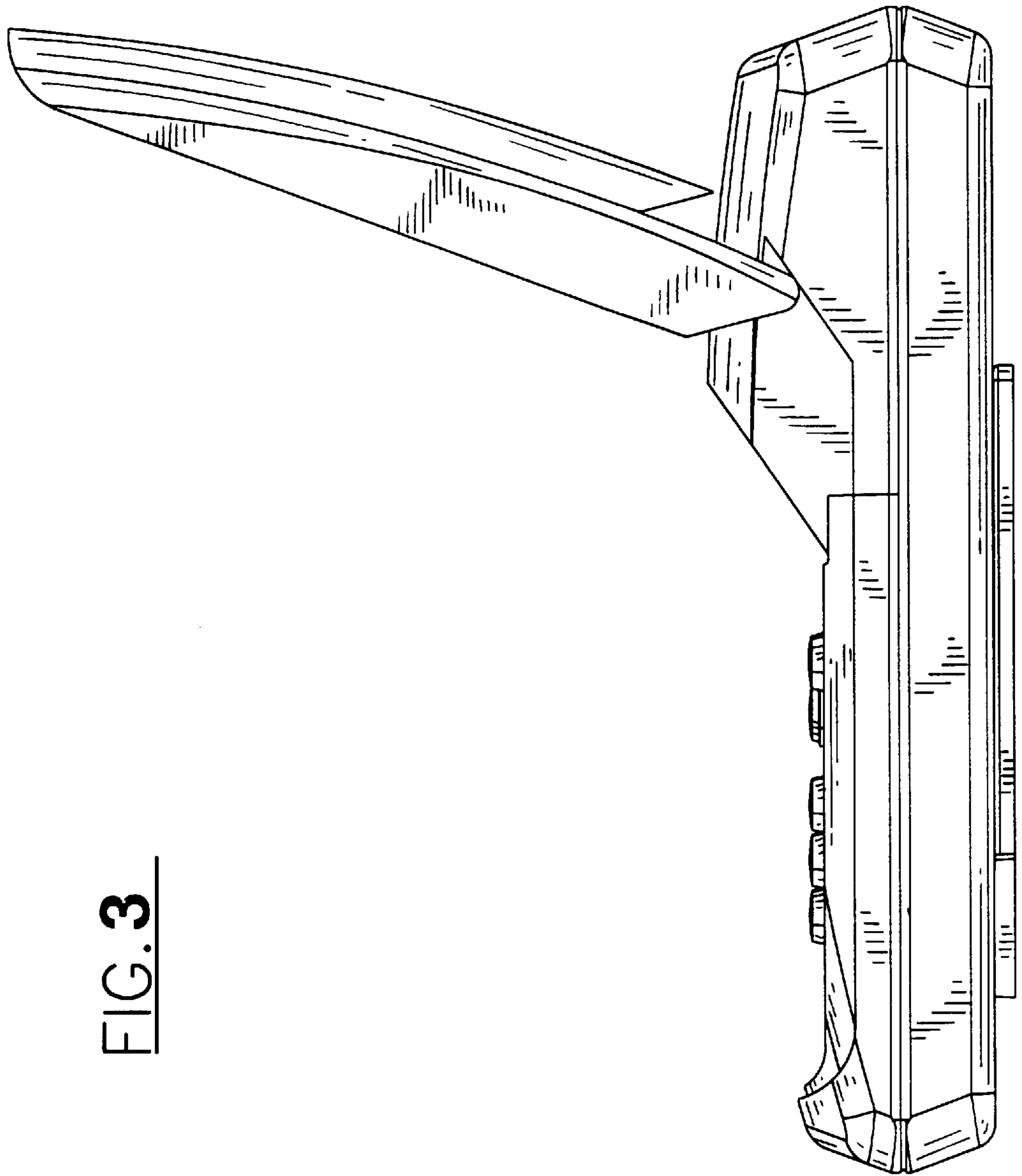
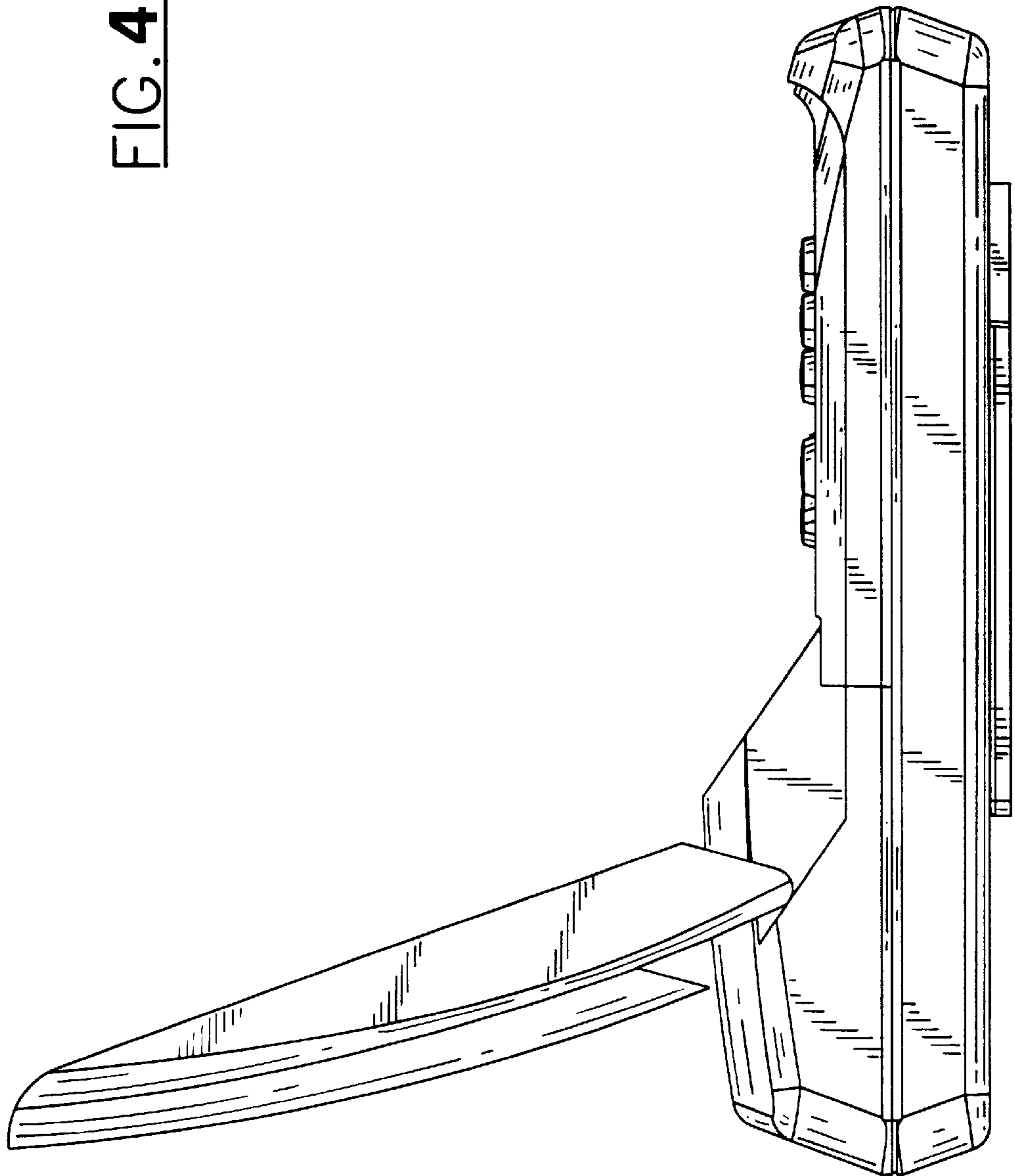


FIG. 3

FIG. 4



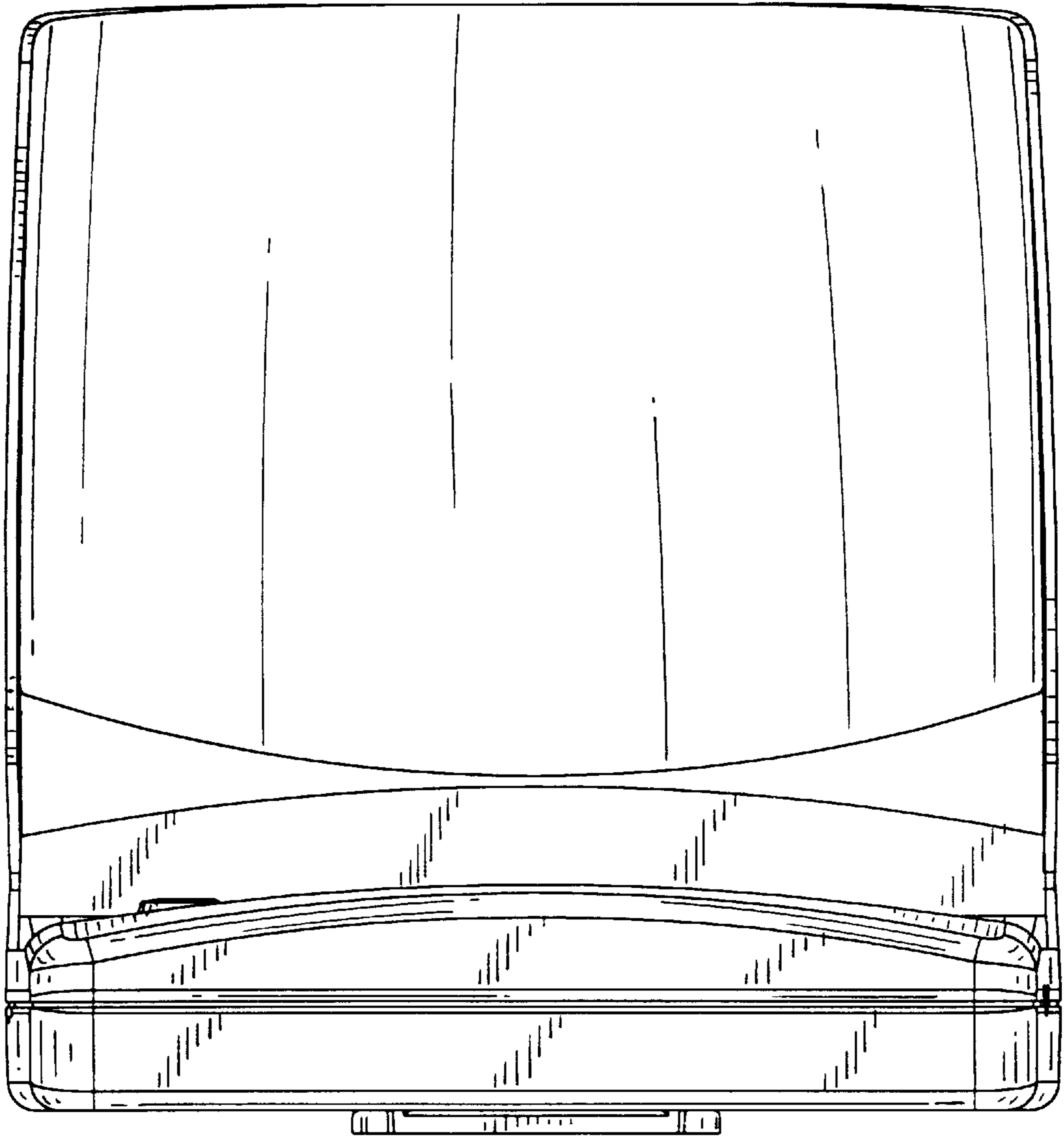


FIG. 5

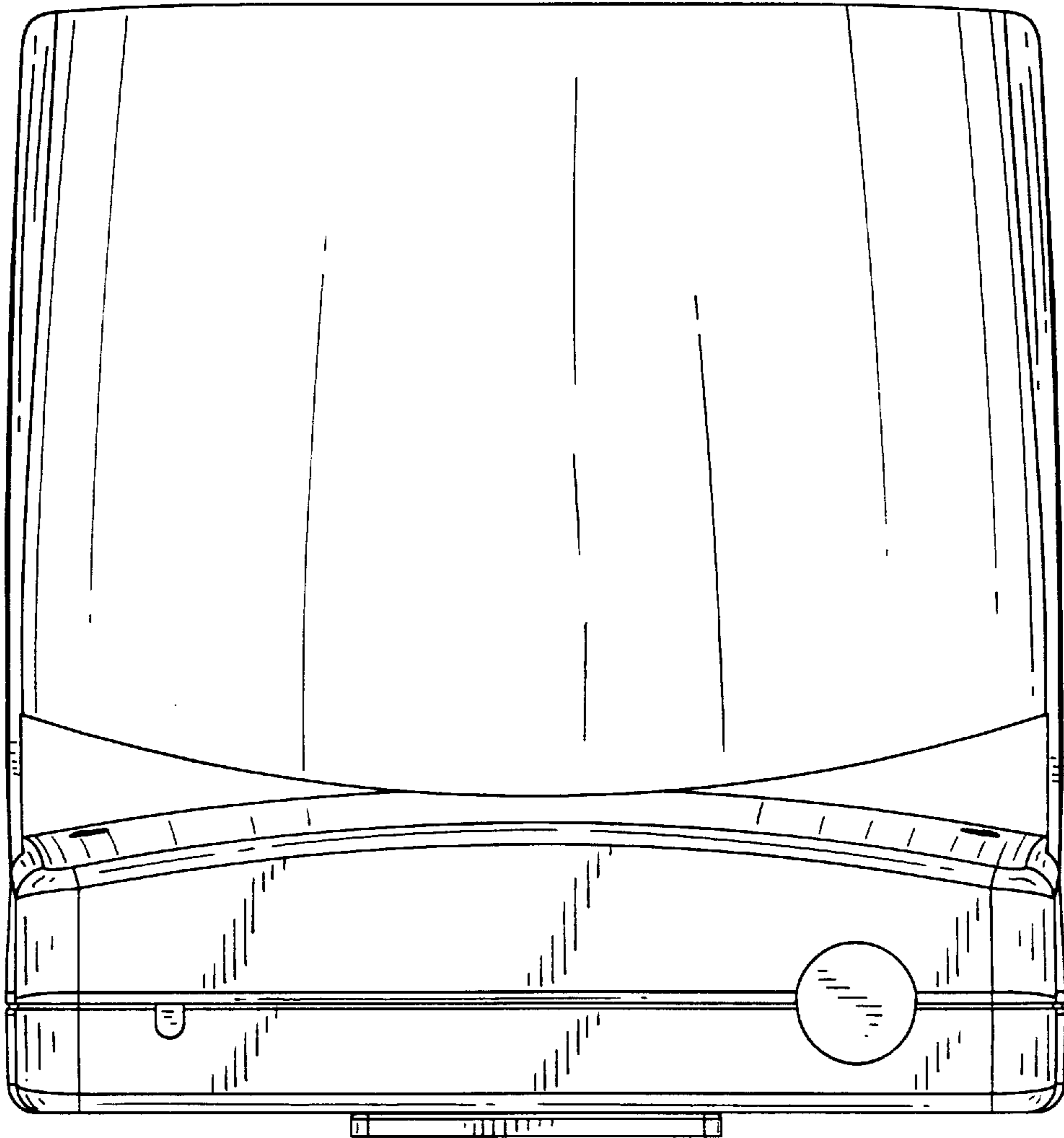


FIG. 6

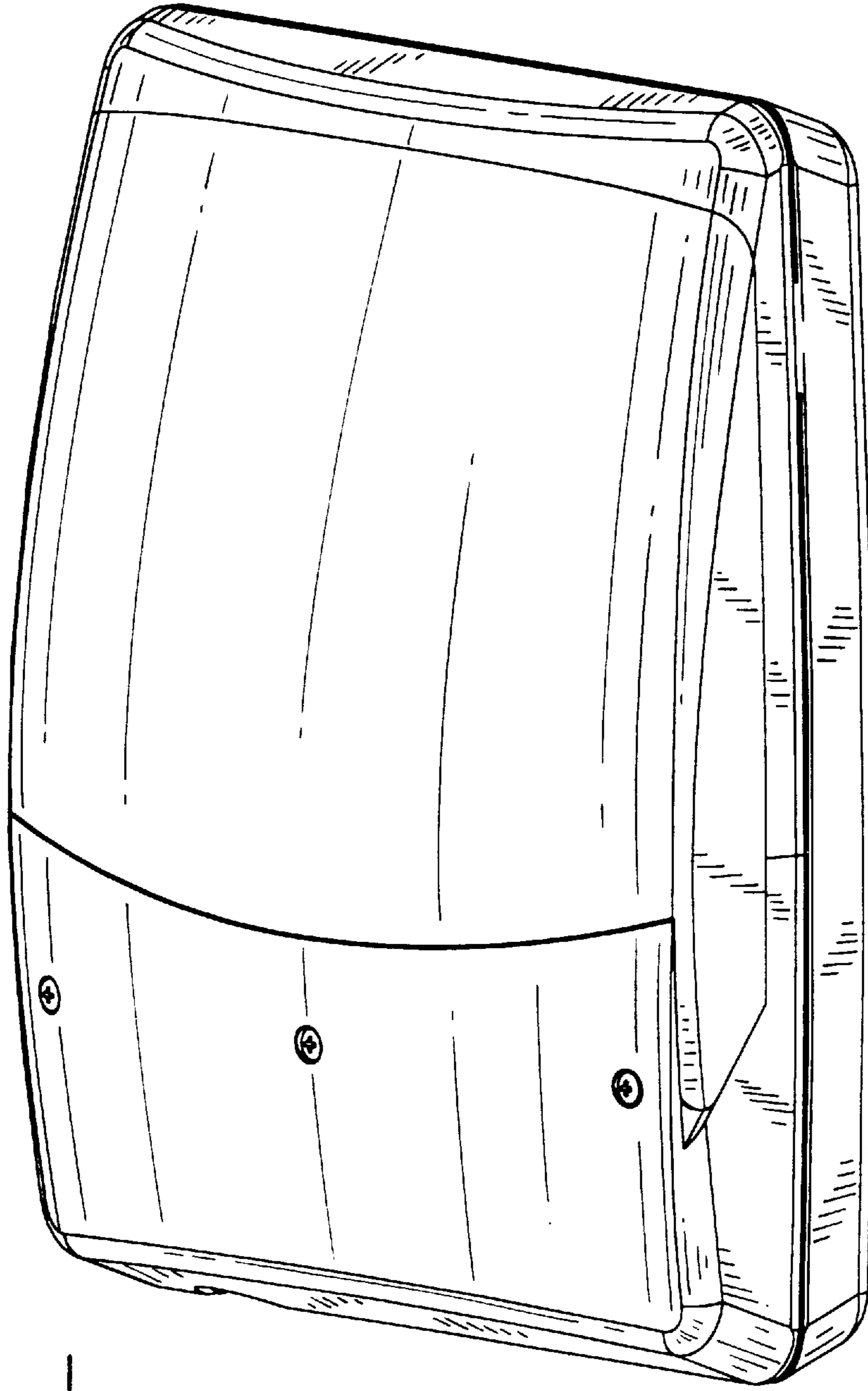


FIG. 7