

US00D406564S

United States Patent [19] Gonser

[11] **Patent Number: Des. 406,564**

[45] **Date of Patent: **Mar. 9, 1999**

[54] **ELECTRICAL CONTACTOR**

[75] Inventor: **Theodor Gonser**, Munich, Germany

[73] Assignee: **Siemens Aktiengesellschaft**, Munich, Germany

[**] Term: **14 Years**

[21] Appl. No.: **67,022**

[22] Filed: **Feb. 27, 1997**

[30] **Foreign Application Priority Data**

Aug. 27, 1996 [DE] Germany M 96 07 464.7

[51] **LOC (6) Cl.** **13-02**

[52] **U.S. Cl.** **D13/159**

[58] **Field of Search** D13/159, 160;
200/237, 293, 297

[56] **References Cited**

U.S. PATENT DOCUMENTS

D. 183,811 10/1958 Schaus D13/160

D. 234,601 3/1975 Hague D13/160

D. 315,333	3/1991	Barbier et al.	D13/160
D. 323,815	2/1992	Bouteiller	D13/159
D. 334,174	3/1993	Hosogai et al.	D13/160
D. 359,948	7/1995	Merlin	D13/160
D. 370,465	6/1996	Yee et al.	D13/159
5,493,083	2/1996	Olivier	D13/160 X

Primary Examiner—Brian N. Vinson
Attorney, Agent, or Firm—Kenyon & Kenyon

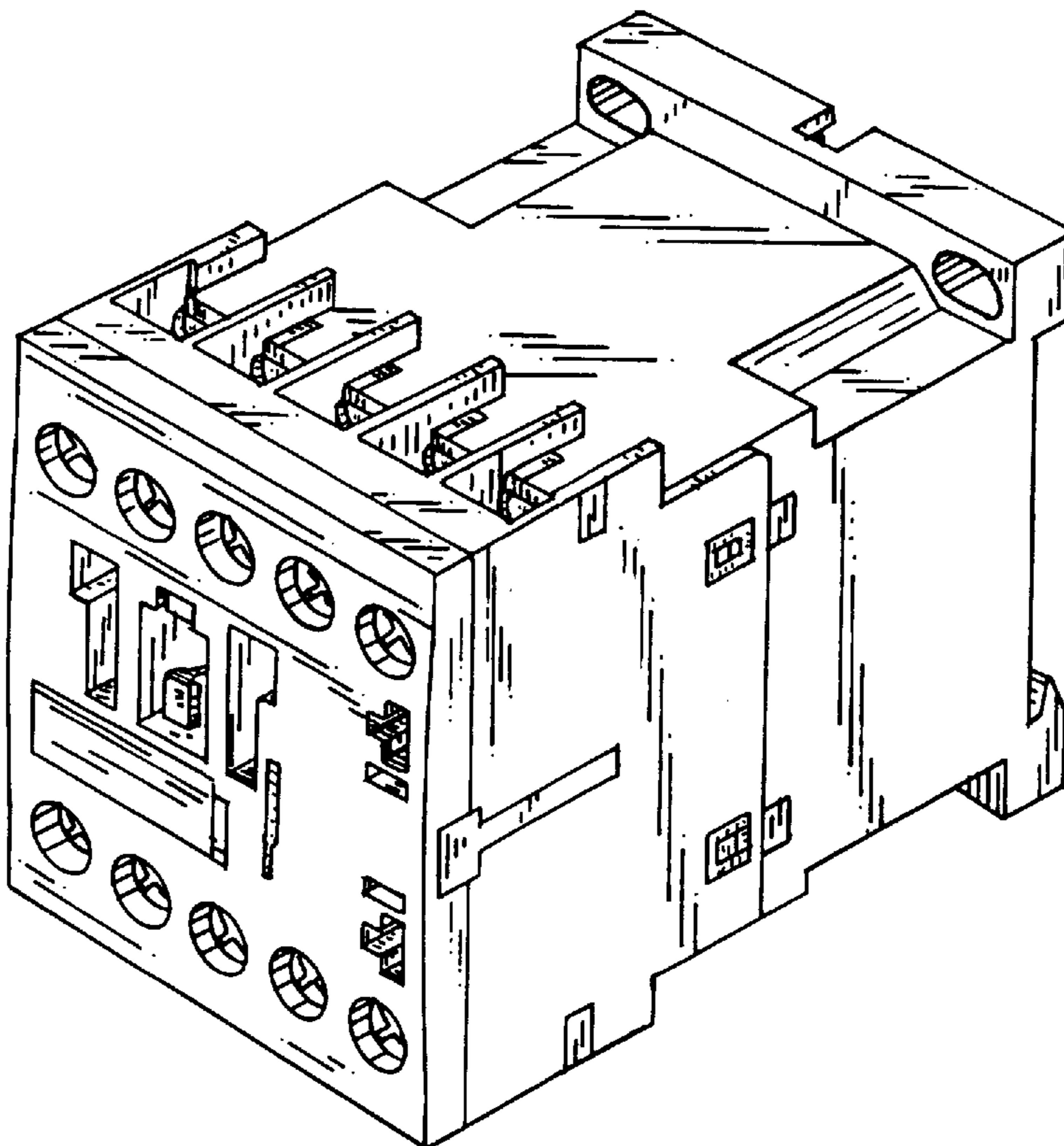
[57] **CLAIM**

The ornamental design for an electrical contactor, as shown and described.

DESCRIPTION

FIG. 1 is a view of the front of an electrical contactor showing my new design; FIG. 2 is a view of the right side of my design; FIG. 3 is a view of the top of my design; FIG. 4 is a view of the back of my design; FIG. 5 is a view of the left side of my design; FIG. 6 is a view of the bottom of my design; and, FIG. 7 is a perspective view of my design.

1 Claim, 2 Drawing Sheets



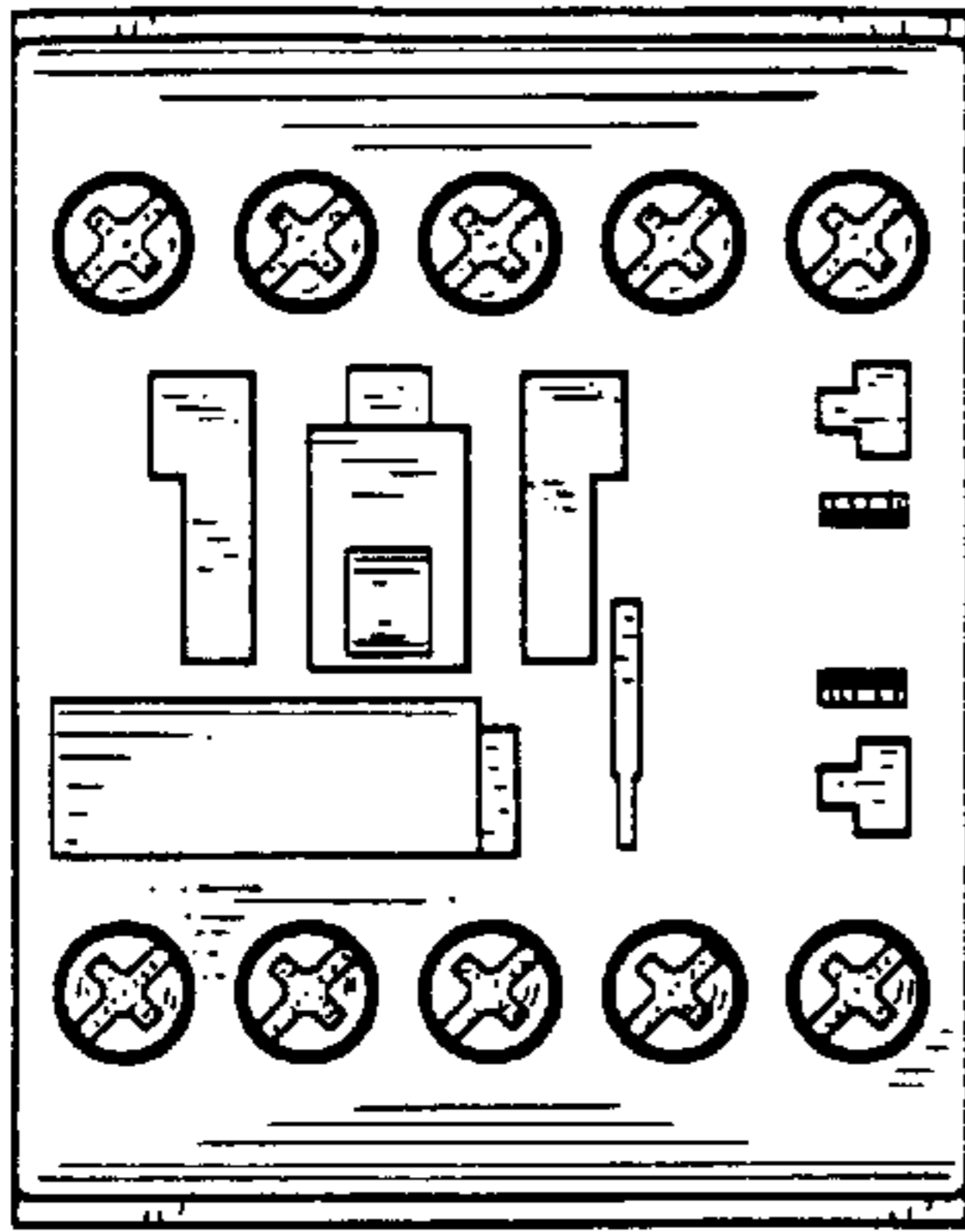


Fig. 1

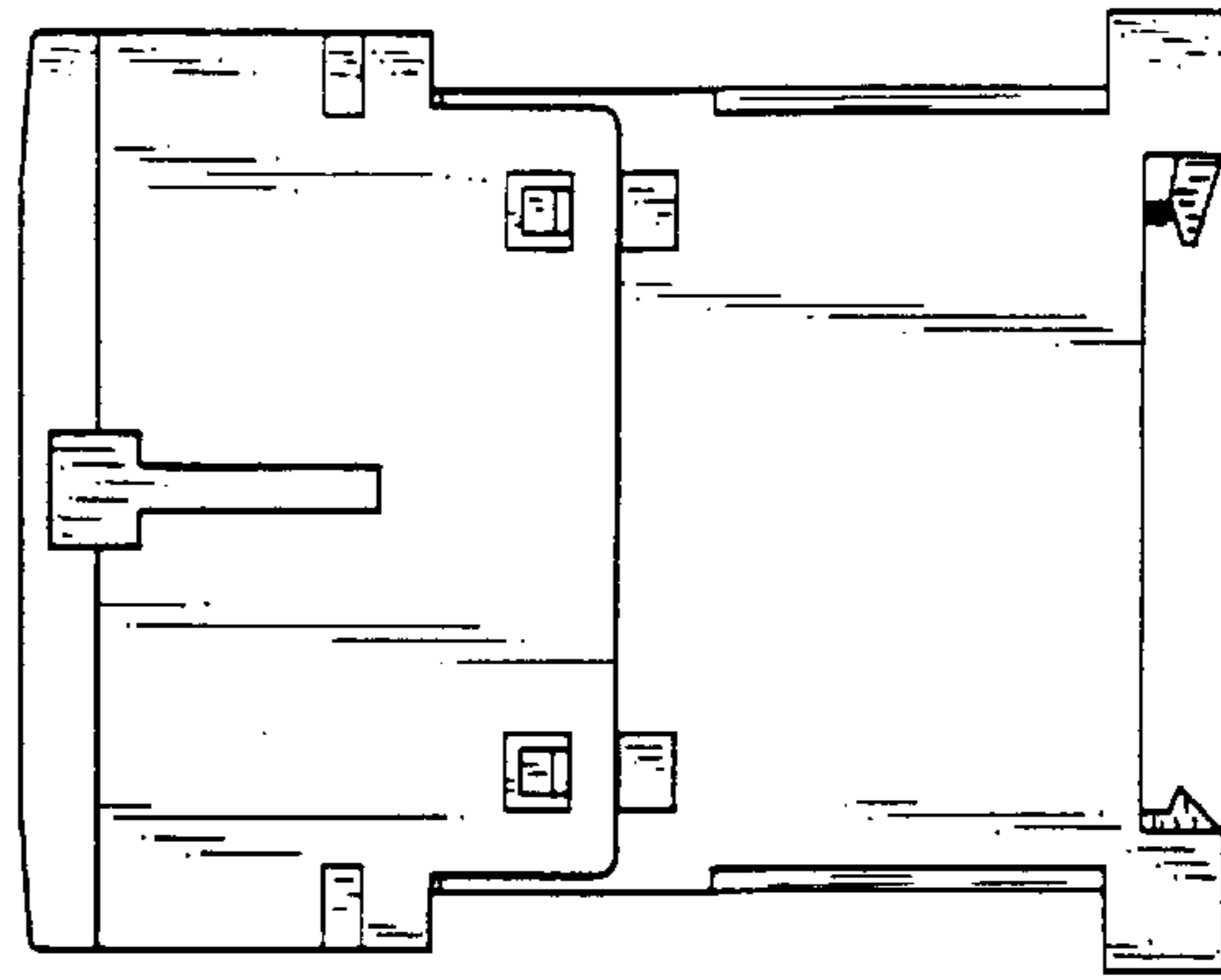


Fig. 2

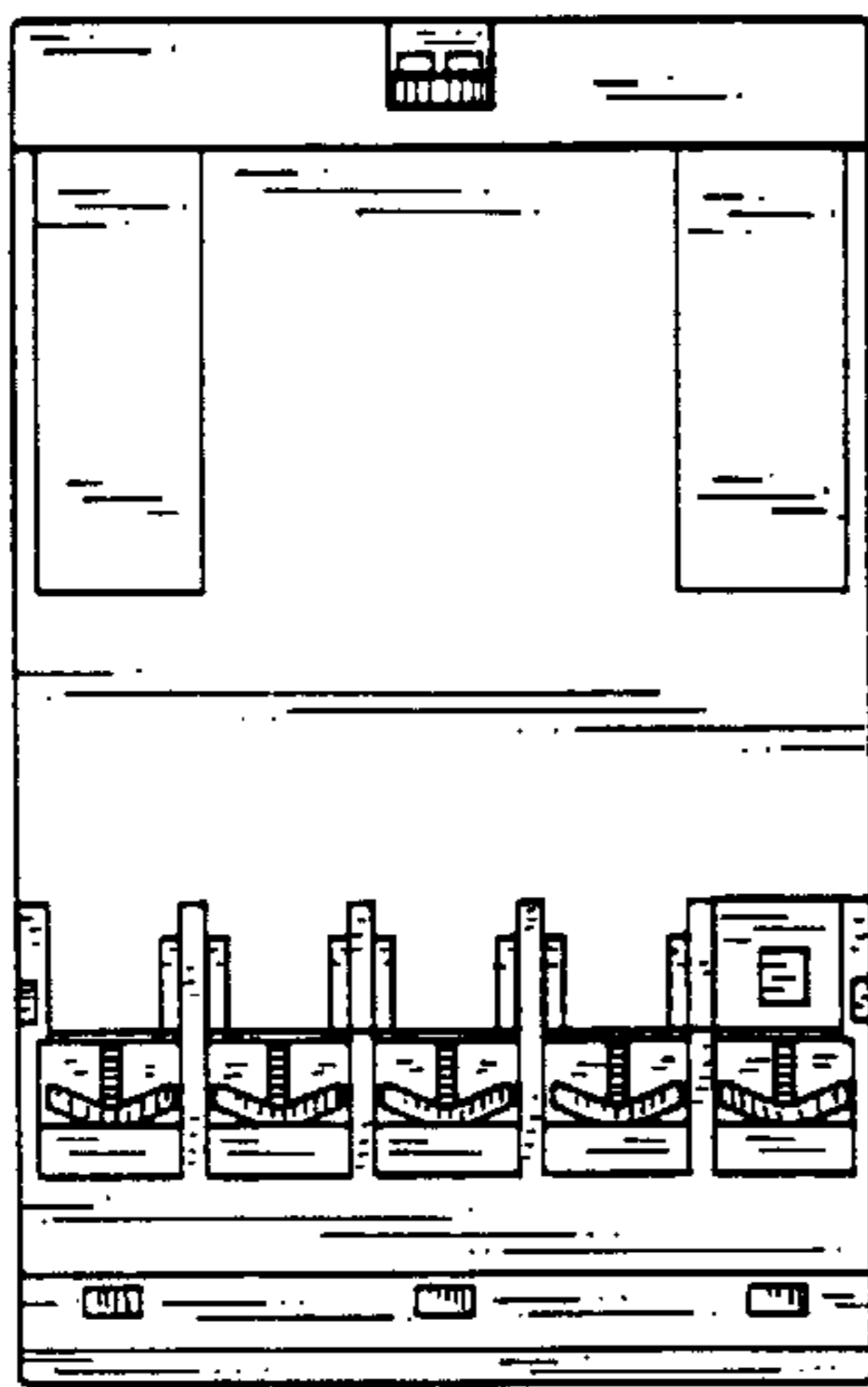


Fig. 3

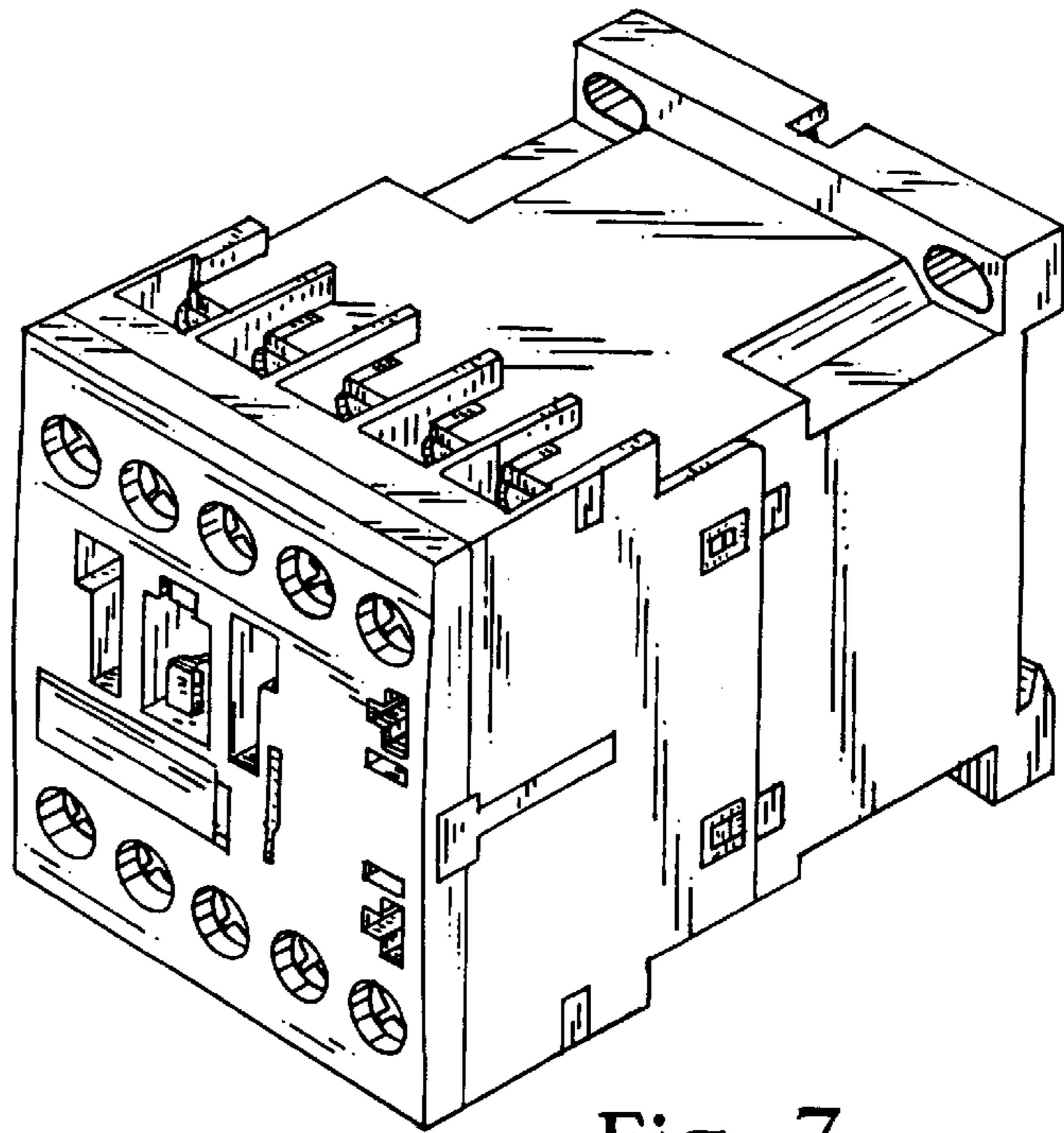


Fig. 7

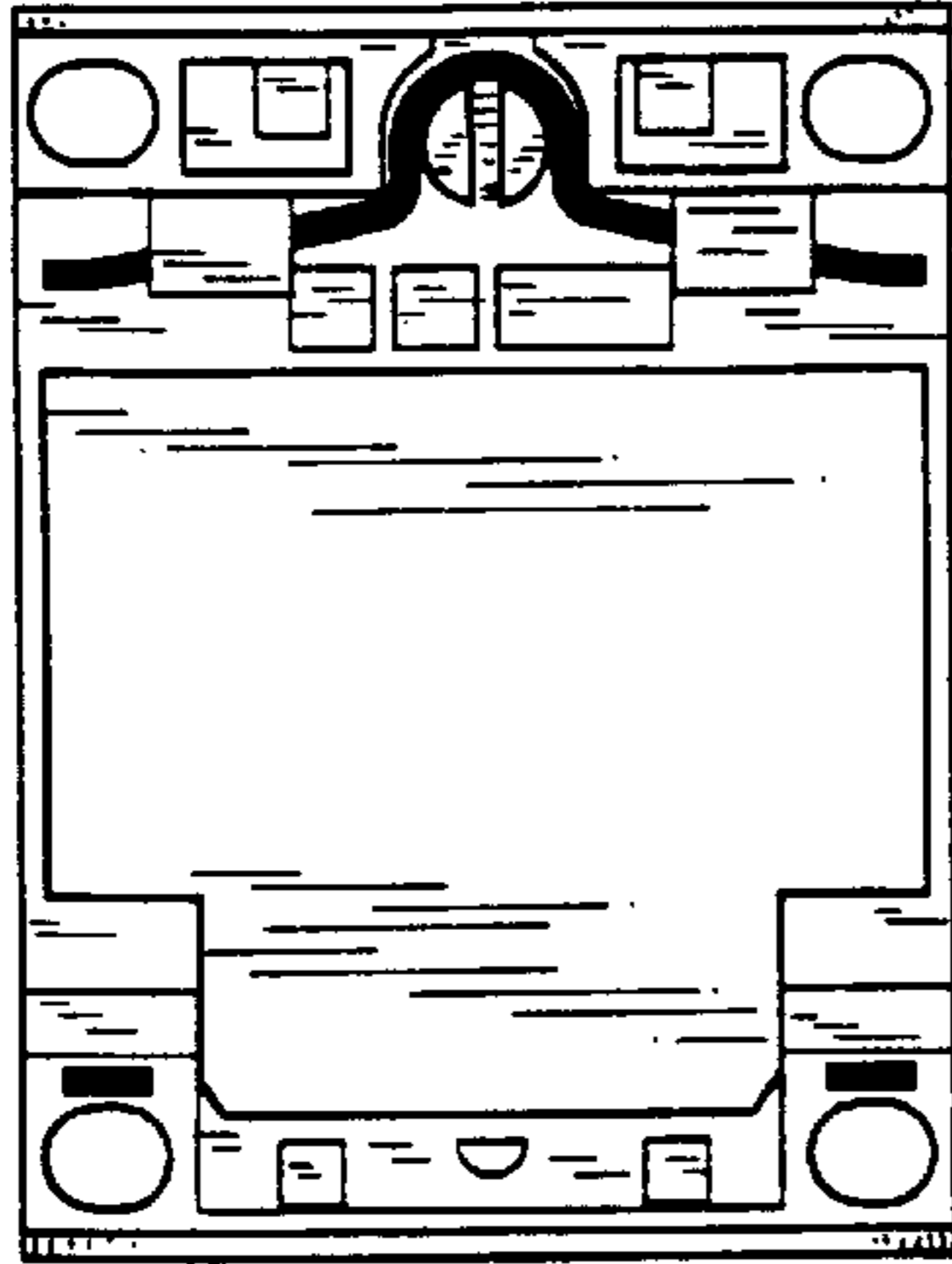


Fig. 4

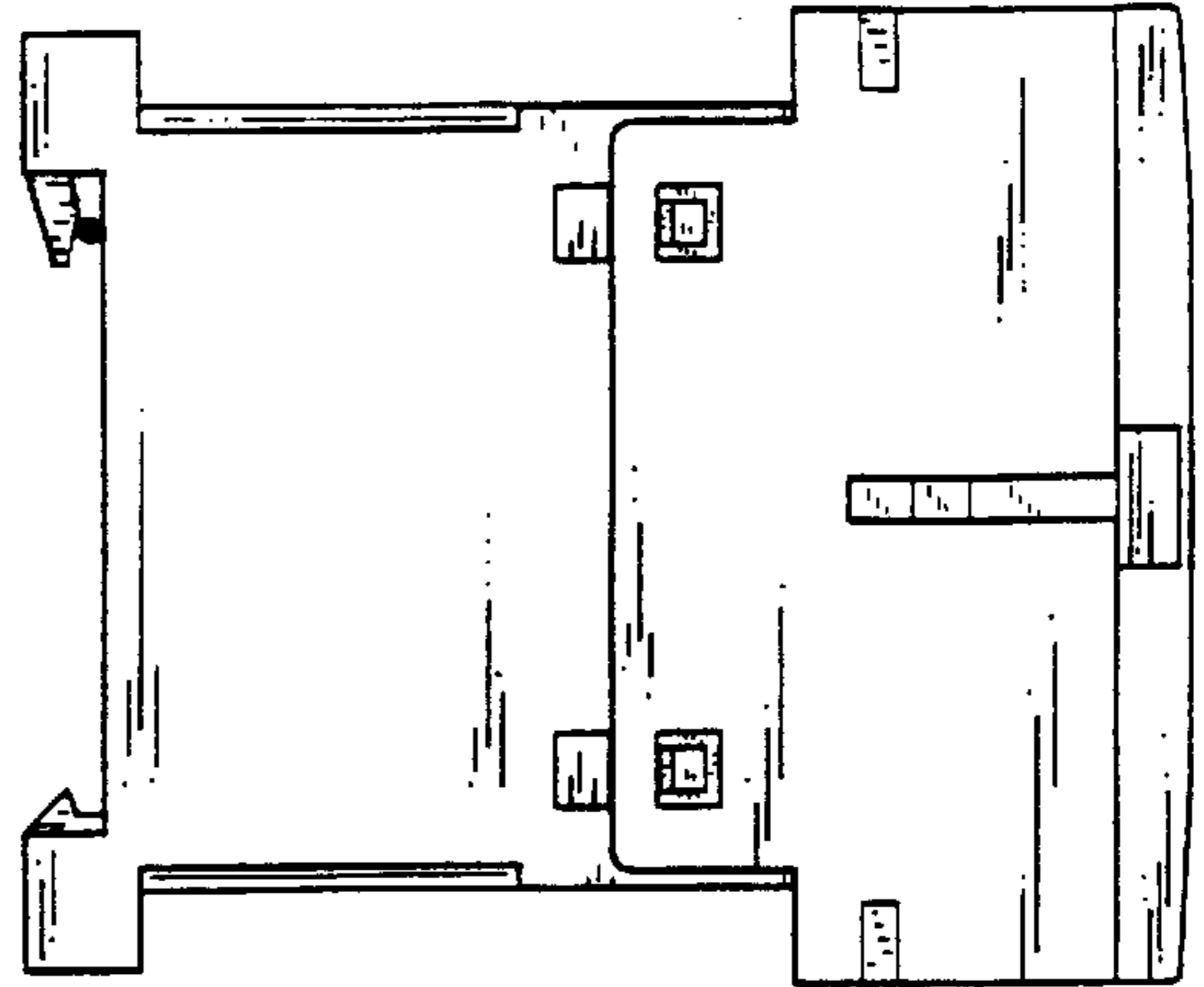


Fig. 5

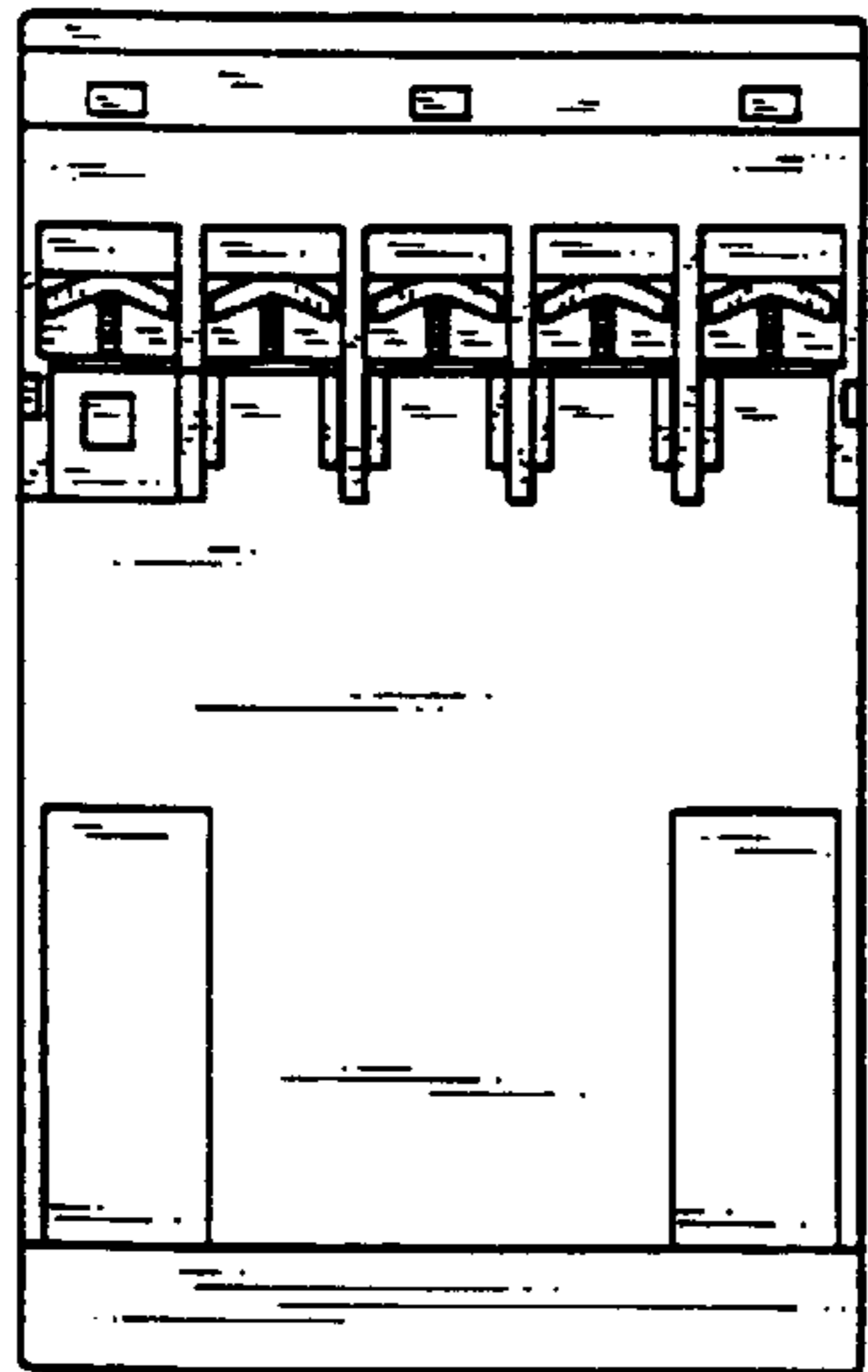


Fig. 6