



US00D406563S

# United States Patent [19] Kuo

[11] **Patent Number: Des. 406,563**  
[45] **Date of Patent: \*\*Mar. 9, 1999**

[54] **ELECTRICAL ADAPTER**

D. 394,864 6/1998 Brandt ..... D14/256  
4,878,848 11/1989 Ingalsbe ..... 439/676  
5,672,074 9/1997 Block et al. .... 439/540.1

[75] Inventor: **Peter Kuo**, Chung-Ho, Taiwan

[73] Assignee: **Hon Hai Precision Ind. Co., Ltd.**,  
Taipei Hsien, Taiwan

*Primary Examiner*—Joel Sincavage

[\*\*] Term: **14 Years**

[57] **CLAIM**

[21] Appl. No.: **75,584**

The ornamental design for an electrical adapter, as shown.

[22] Filed: **Sep. 3, 1997**

### DESCRIPTION

### [30] Foreign Application Priority Data

Mar. 5, 1997 [TW] Taiwan ..... 86301818

FIG. 1 is a perspective view of an electrical adapter showing my new design;

[51] **LOC (6) Cl.** ..... **13-03**

FIG. 2 is a top plan view thereof;

[52] **U.S. Cl.** ..... **D13/147; D13/146; D14/256**

FIG. 3 is a right side elevational view thereof;

[58] **Field of Search** ..... D13/146, 147;  
D14/256; 439/540.1, 535, 638, 639, 653,  
676

FIG. 4 is a left side elevational view thereof;

FIG. 5 is a rear elevational view thereof;

FIG. 6 is a front elevational view thereof; and,

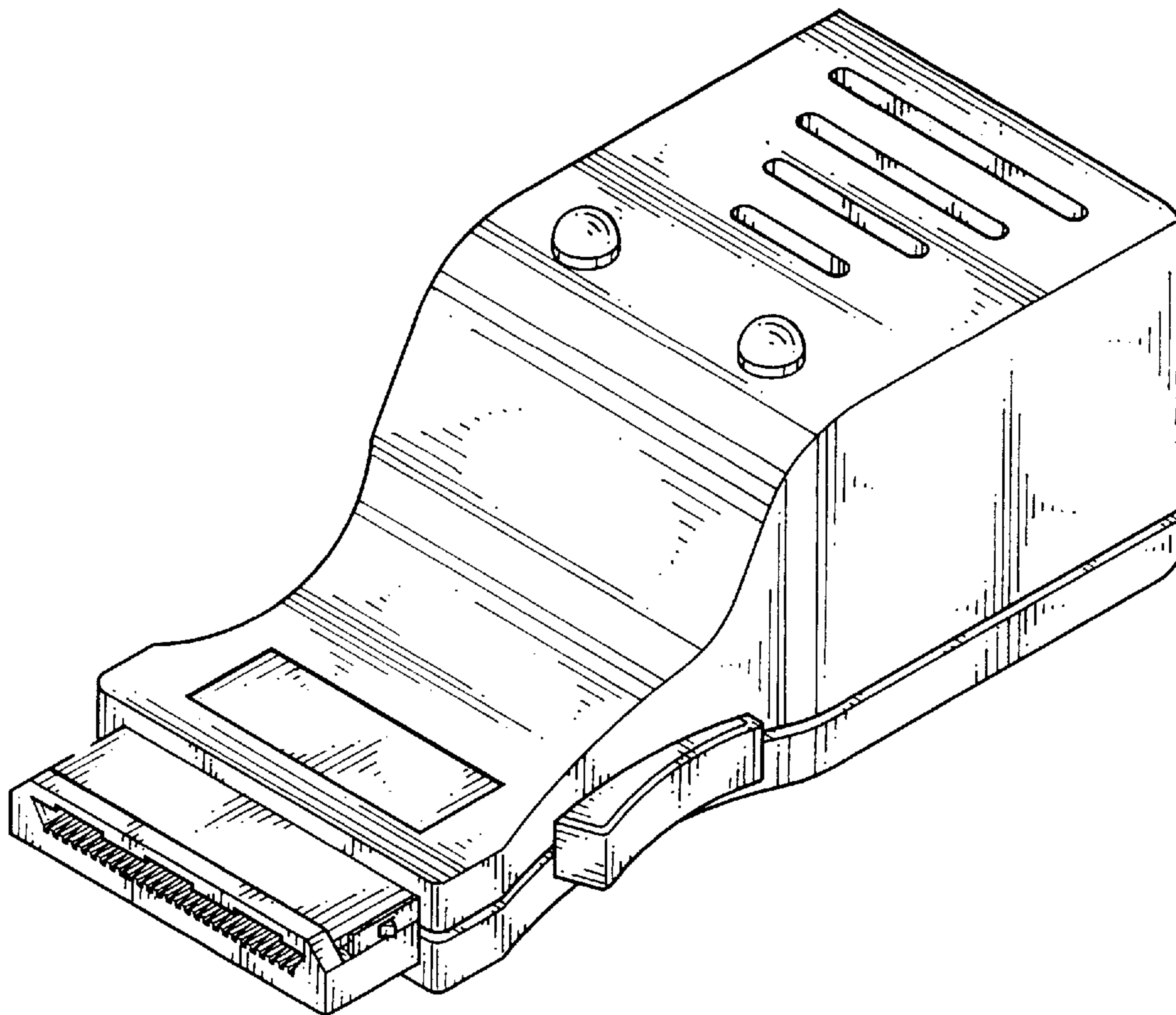
FIG. 7 is a bottom plan view thereof.

### [56] References Cited

#### U.S. PATENT DOCUMENTS

D. 364,377 11/1995 Johnson et al. .... D13/146

**1 Claim, 7 Drawing Sheets**



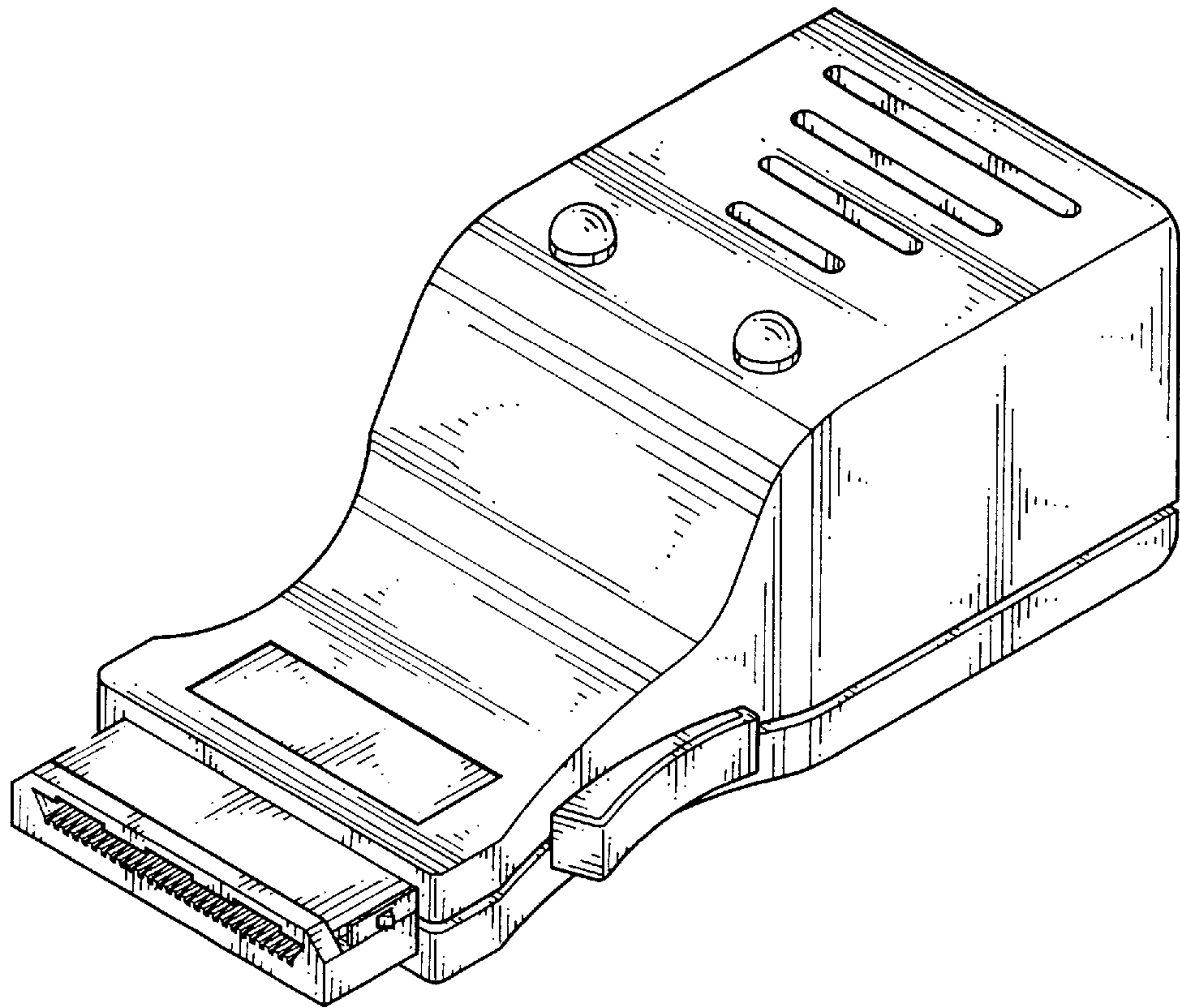


FIG.1

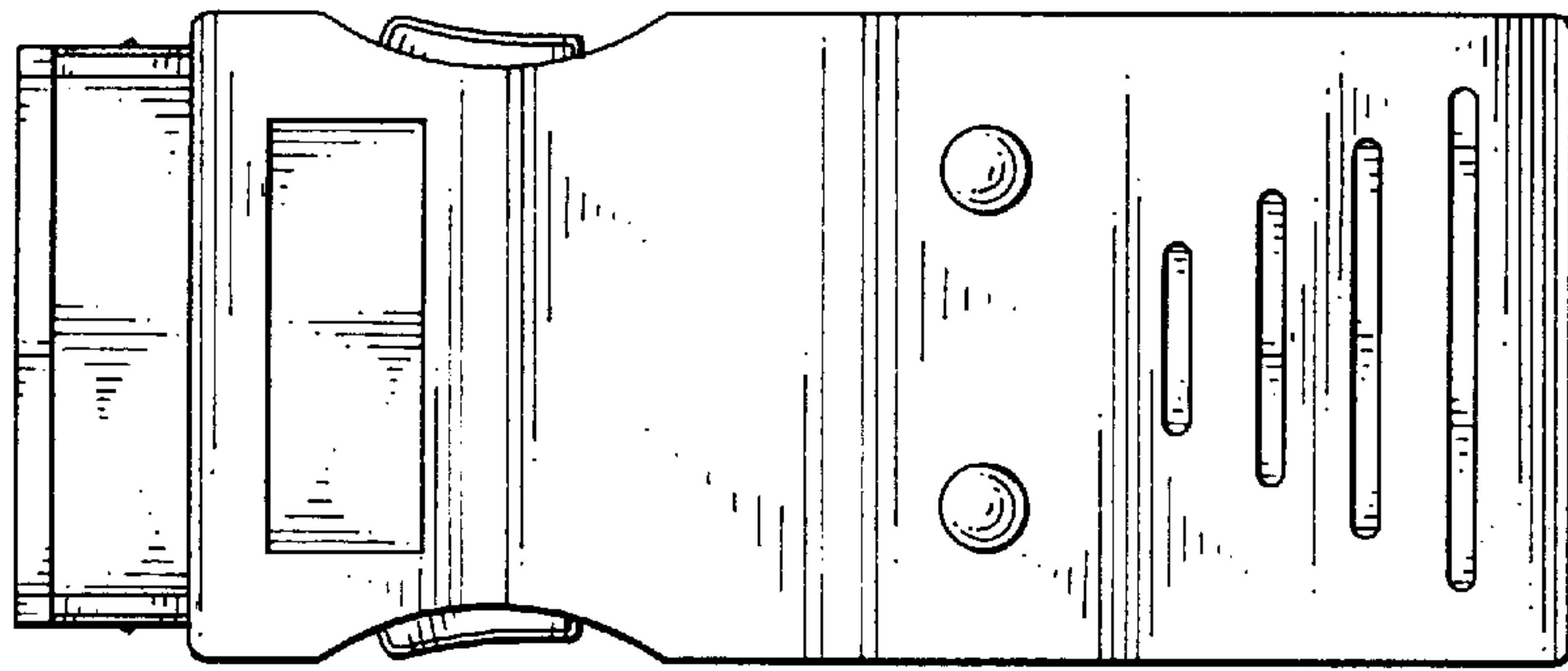


FIG.2

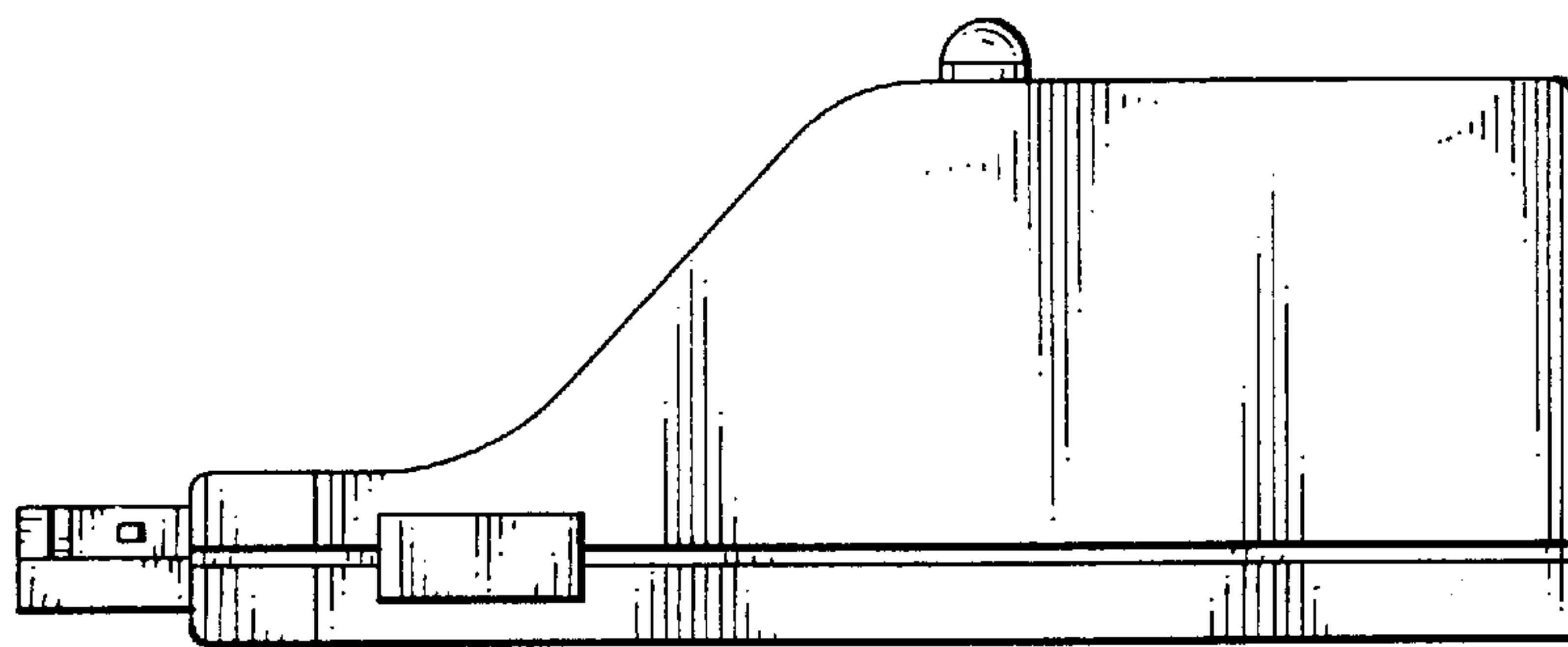


FIG.3

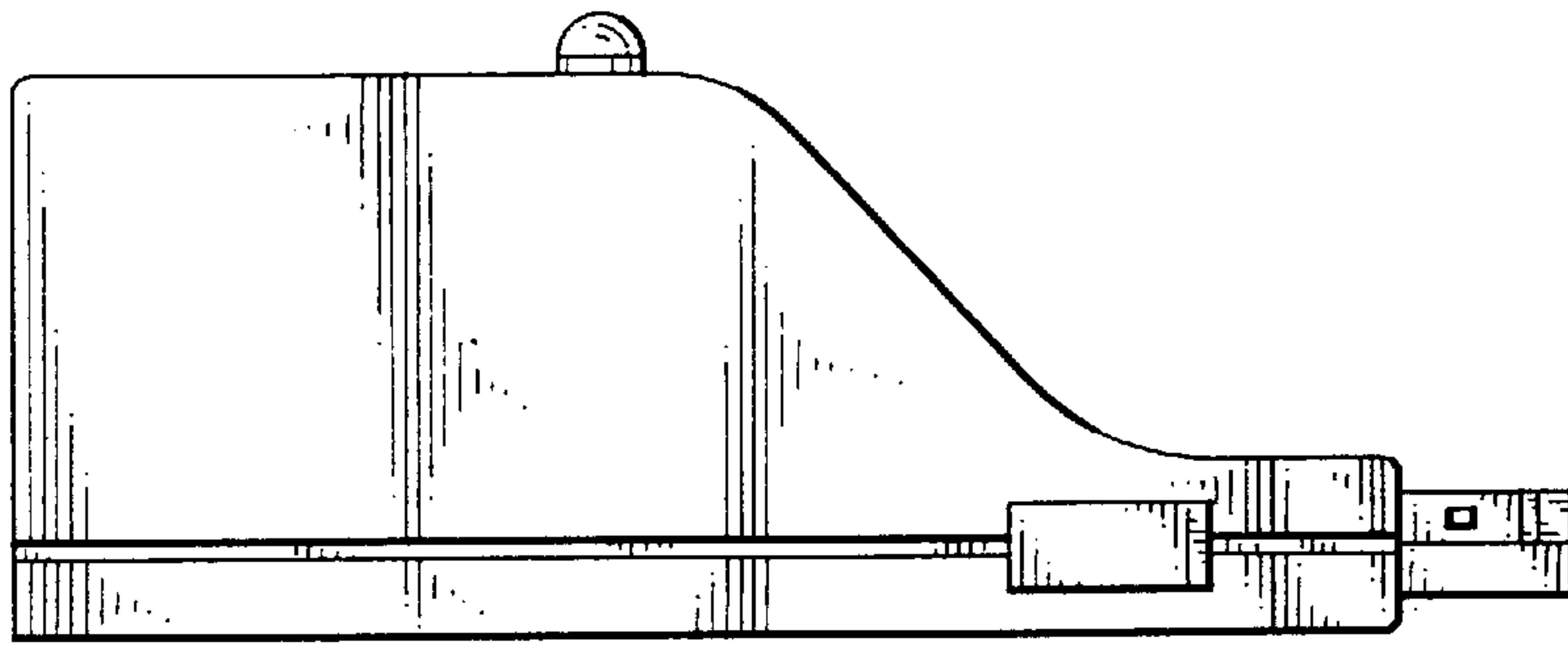


FIG.4

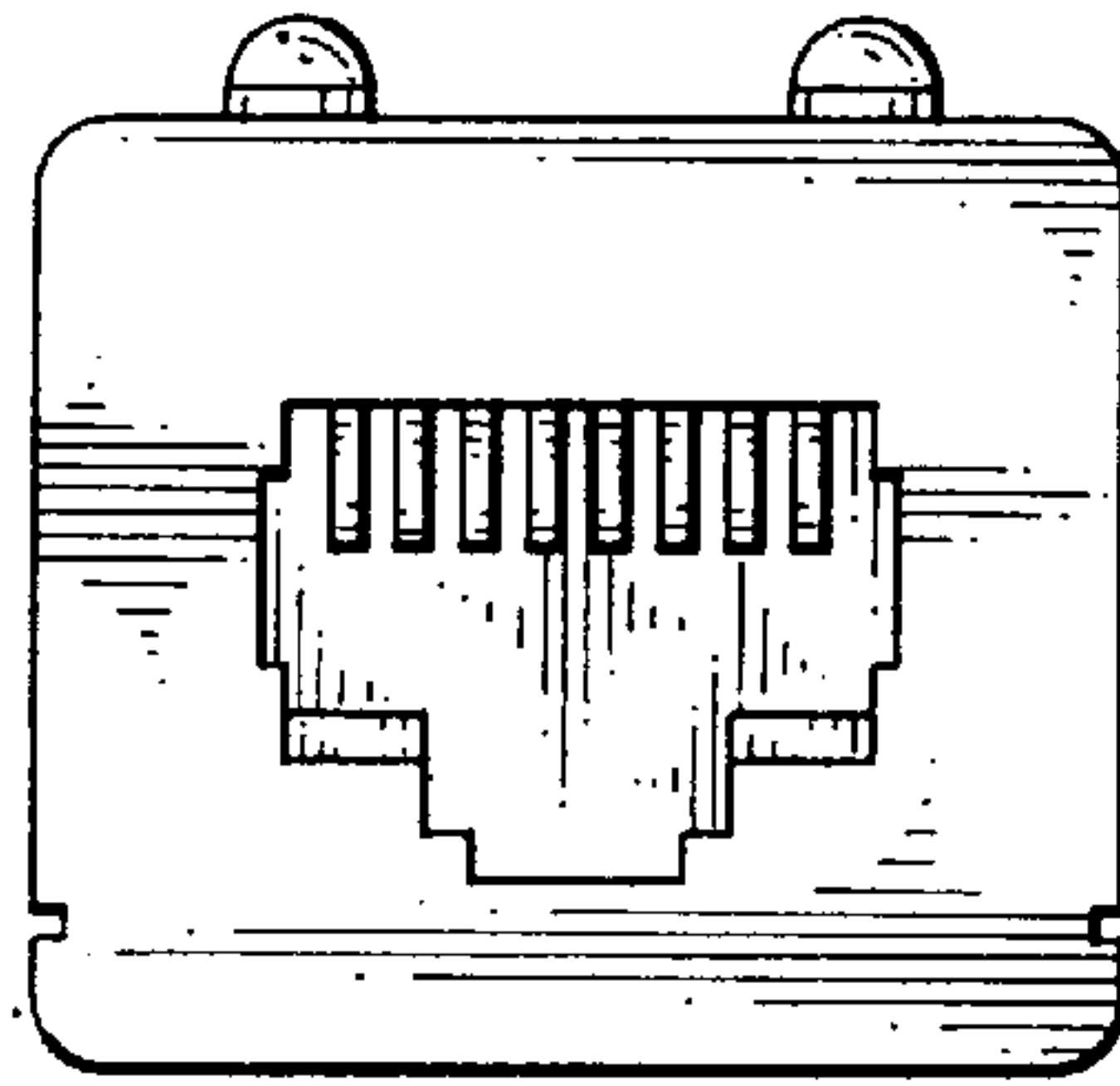


FIG.5

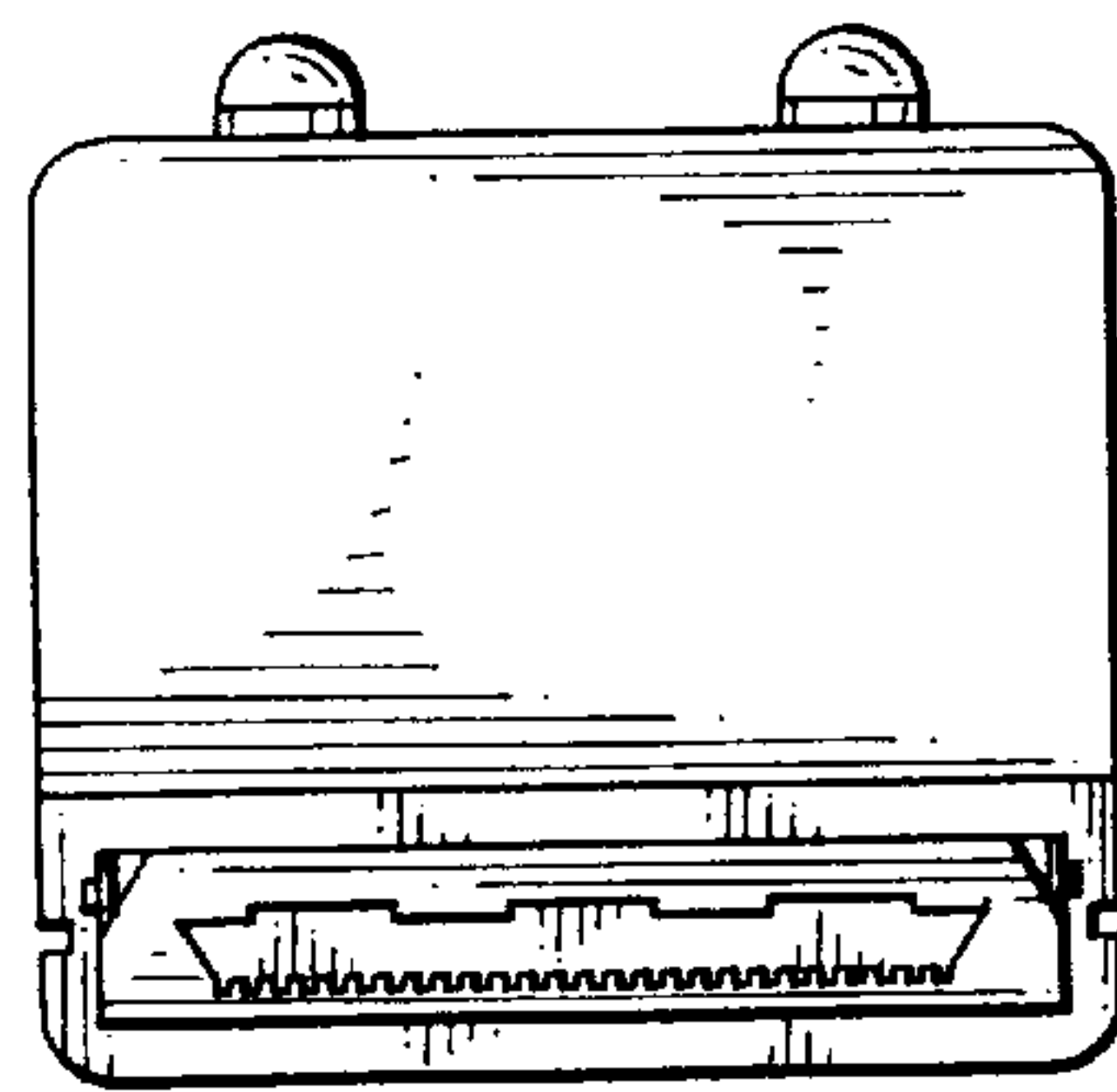


FIG.6

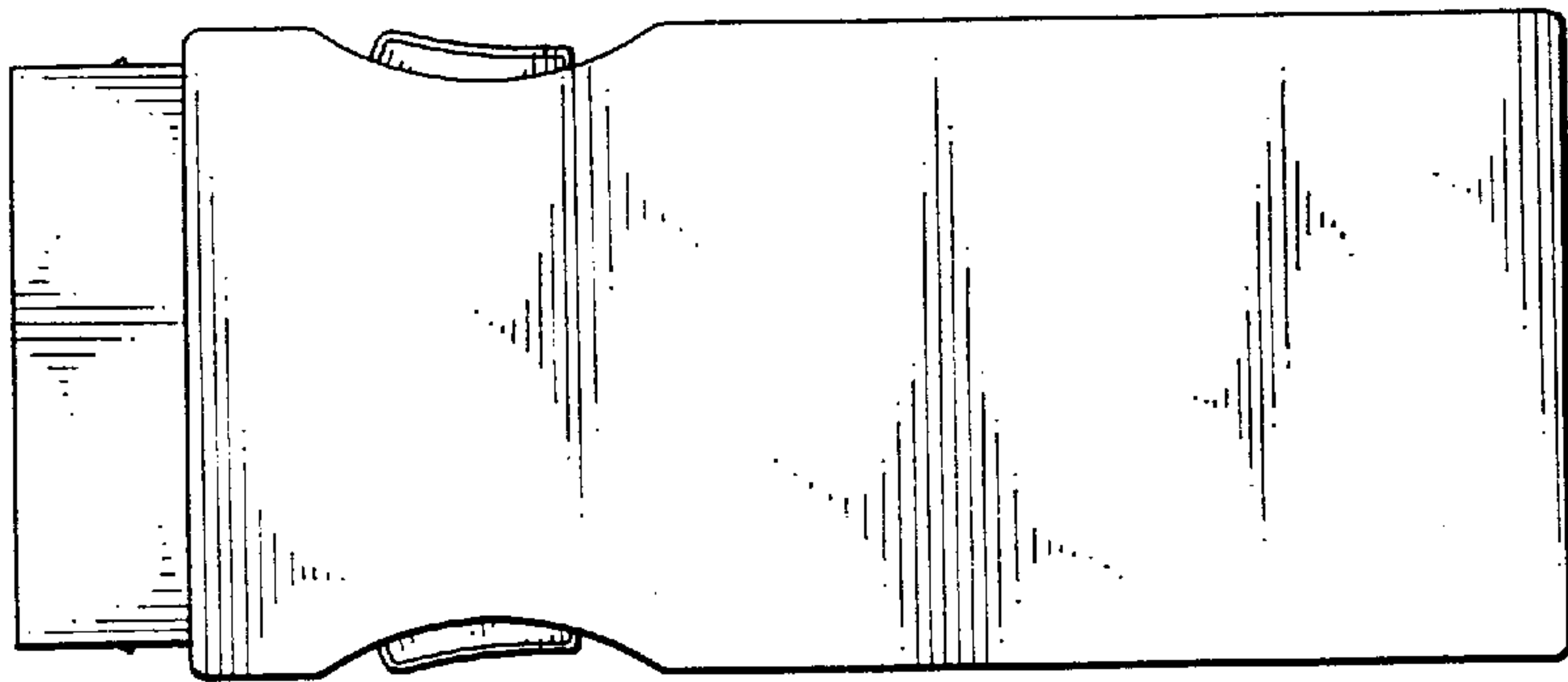


FIG.7