



US00D406559S

United States Patent [19] Lundgren

[11] **Patent Number: Des. 406,559**

[45] **Date of Patent: ***Mar. 9, 1999**

[54] **CLAMPING PLATE FOR LOAD CARRIER FRONT**

[75] Inventor: **Anders Lundgren**, Grimsås, Sweden

[73] Assignee: **Industri AB Thule**, Hillerstorp, Sweden

[*] Notice: The term of this patent shall not extend beyond the expiration date of Pat. No. D. 395,276.

[**] Term: **14 Years**

[21] Appl. No.: **42,881**

[22] Filed: **Aug. 21, 1995**

[30] **Foreign Application Priority Data**

Jun. 15, 1995 [SE] Sweden 95-1220

[51] **LOC (6) Cl.** **12-16**

[52] **U.S. Cl.** **D12/414**

[58] **Field of Search** D12/414, 400; 224/309, 315-317, 322-329, 331; 296/37.7

[56] **References Cited**

U.S. PATENT DOCUMENTS

D. 276,989 1/1985 Whitney D12/414

D. 283,118	3/1986	Ekland	D12/414
D. 294,340	2/1988	Robson	D12/414
D. 299,913	2/1989	Davidsson	D12/414
D. 300,913	5/1989	Kamaza	D12/223
D. 317,744	6/1991	Bott	D12/414
4,640,450	2/1987	Gallion et al.	224/331

Primary Examiner—Melody N. Brown
Attorney, Agent, or Firm—Royston, Rayzon, Vickery, Novak & Druce

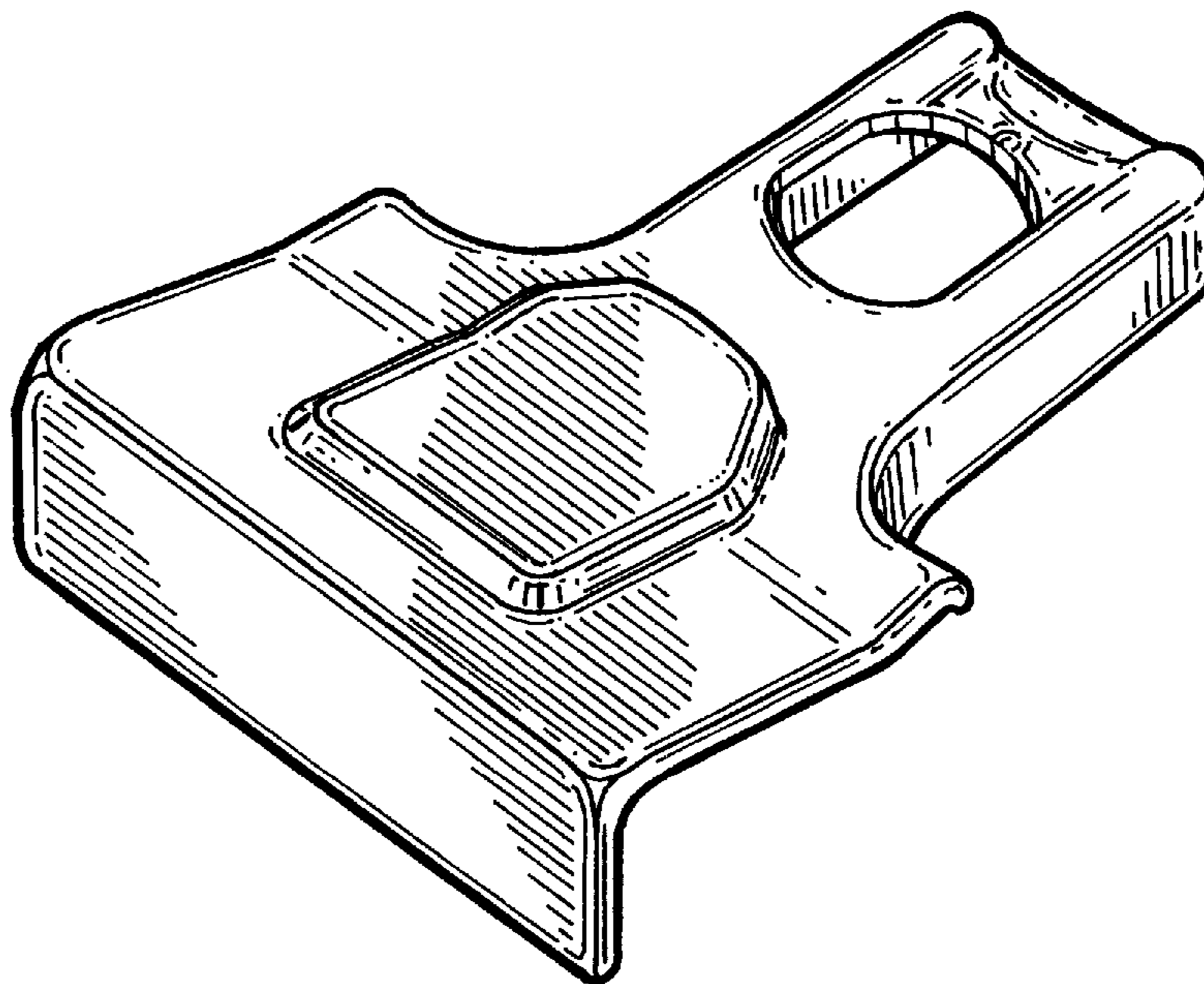
[57] **CLAIM**

The ornamental design for a clamping plate for a load carrier foot, as shown and described.

DESCRIPTION

FIG. 1 is a front perspective view of a clamping plate for a load carrier foot according to my new design;
FIG. 2 is a rear perspective view thereof;
FIG. 3 is a front view thereof;
FIG. 4 is a rear view thereof;
FIG. 5 is a top view thereof;
FIG. 6 is a bottom view thereof; and,
FIG. 7 is a left side view thereof.

1 Claim, 2 Drawing Sheets



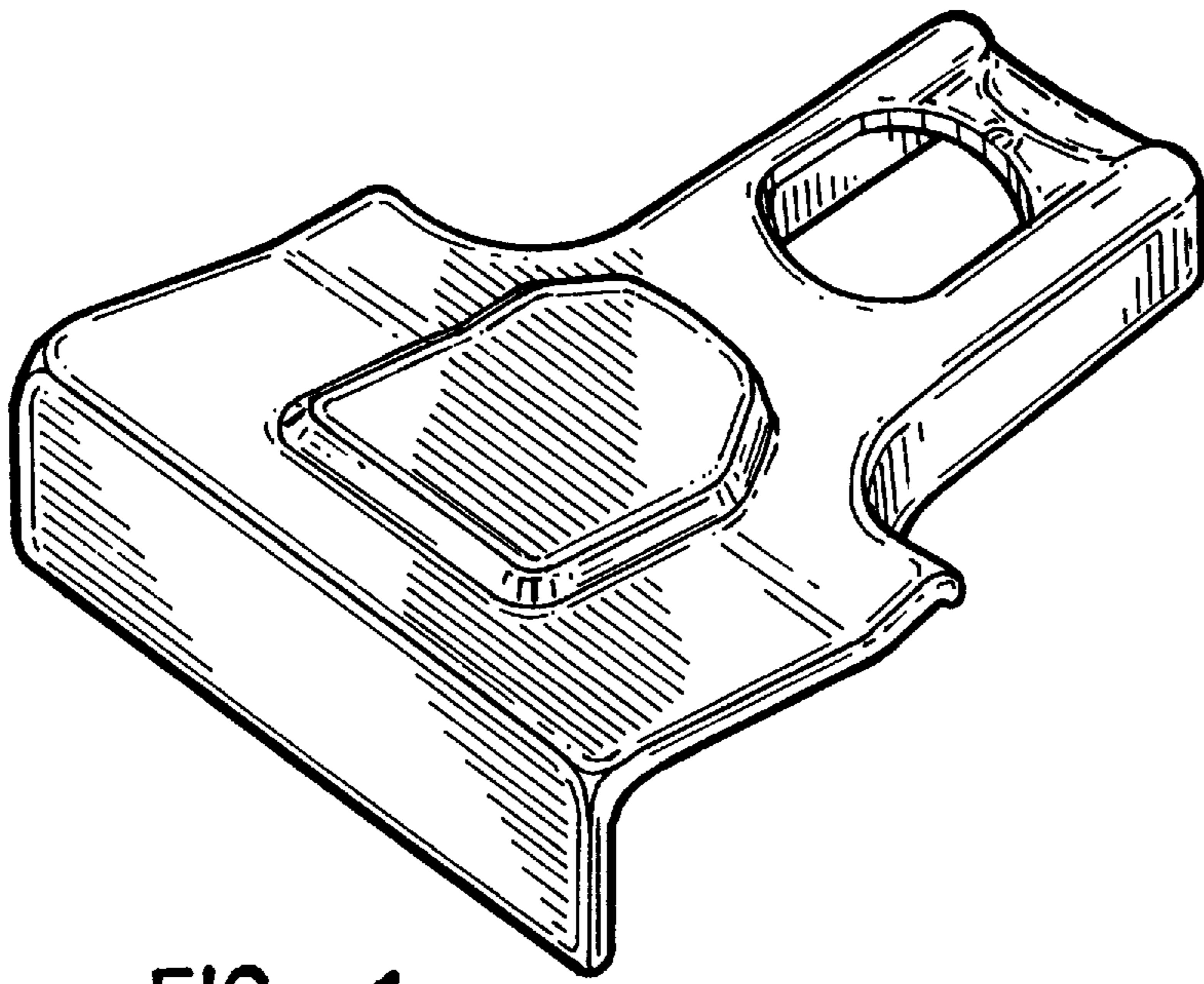


FIG. 1

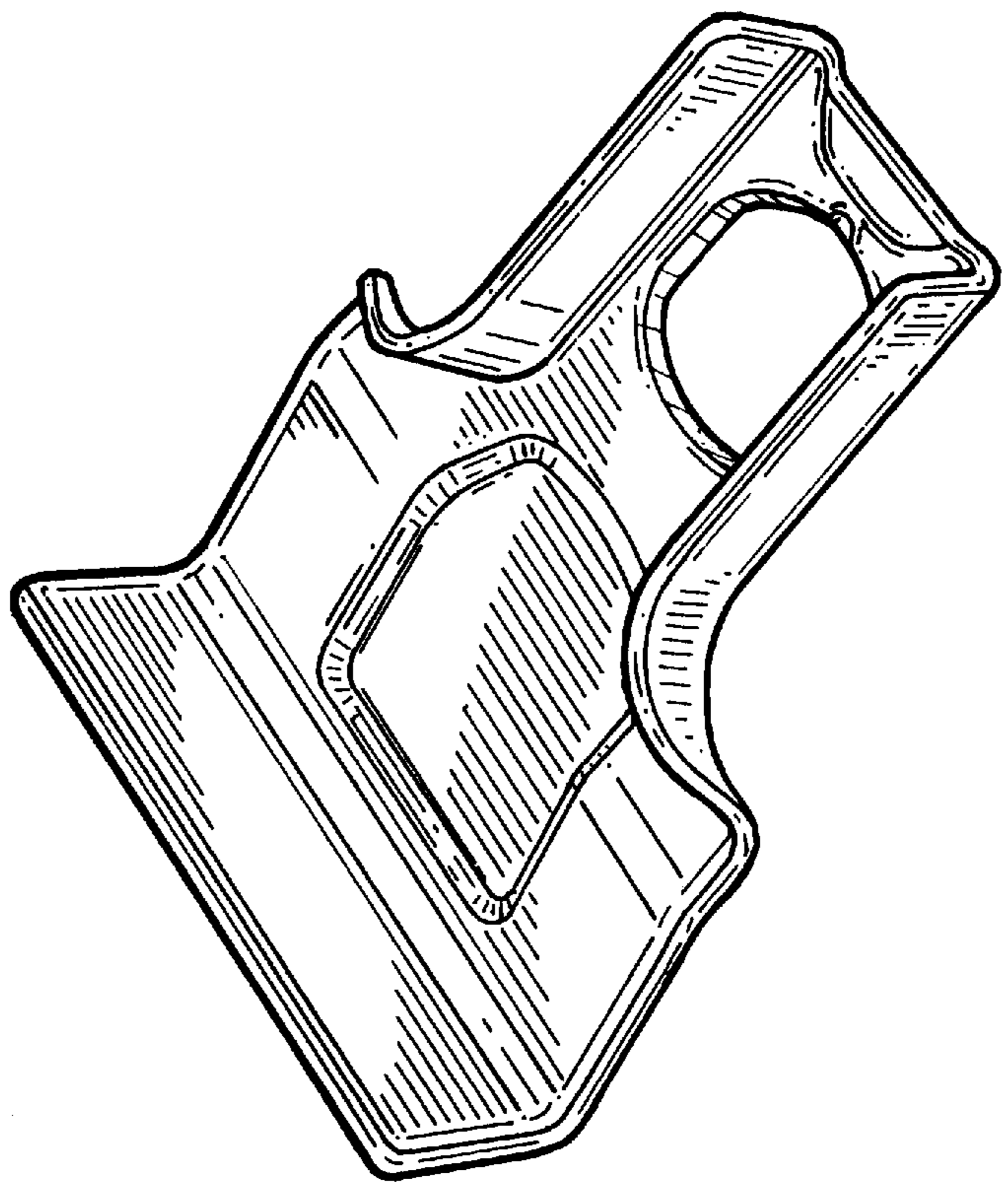


FIG. 2

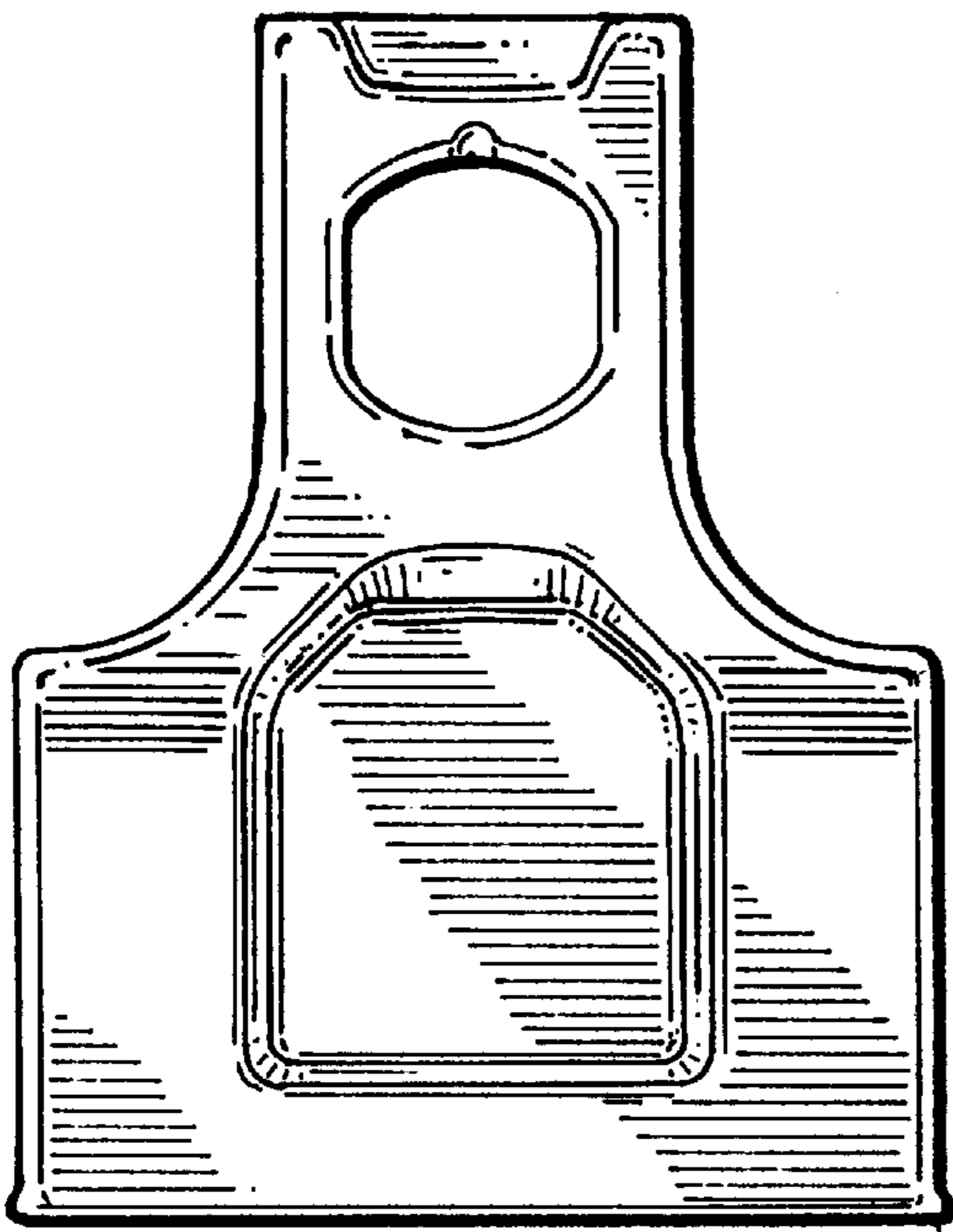


FIG. 3

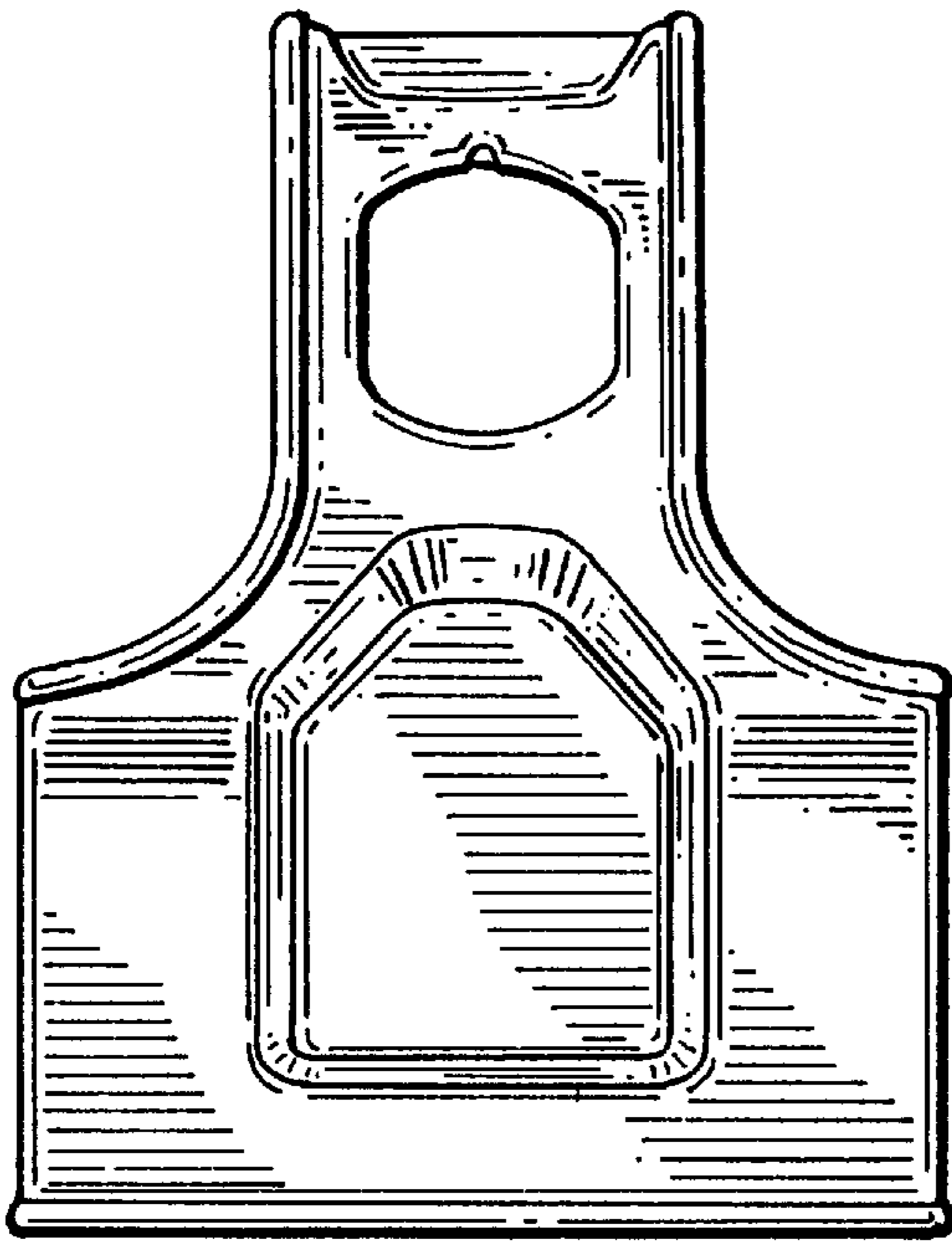


FIG. 4

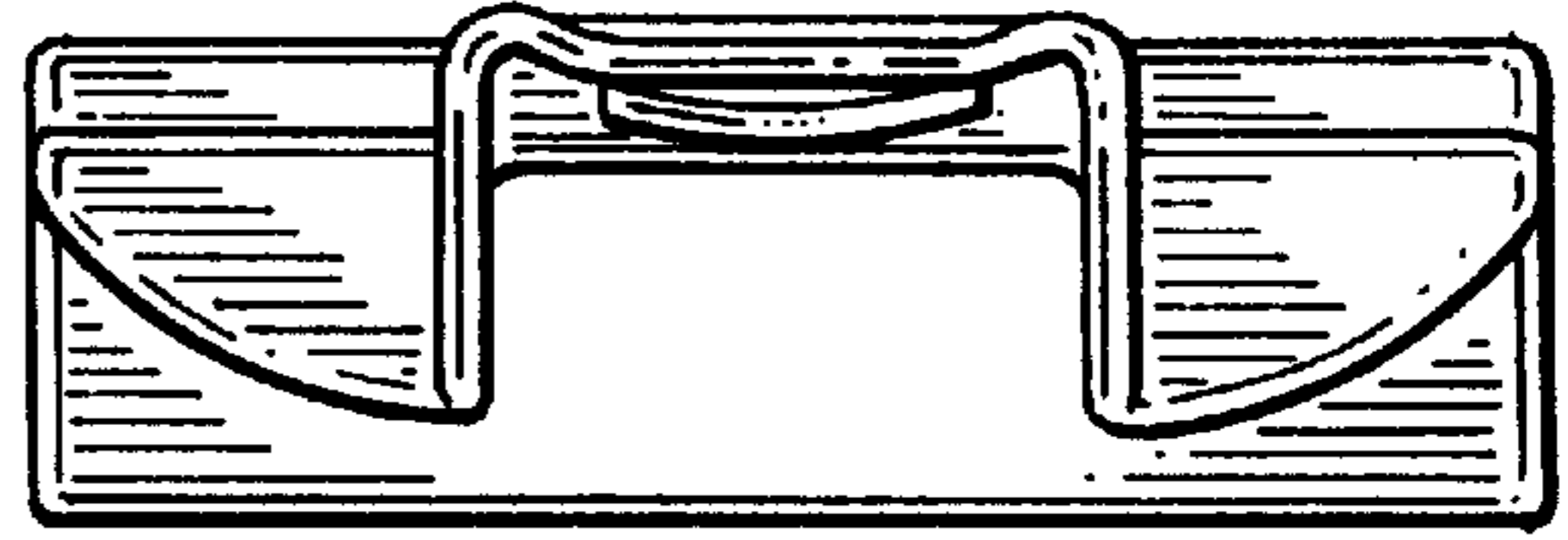


FIG. 5

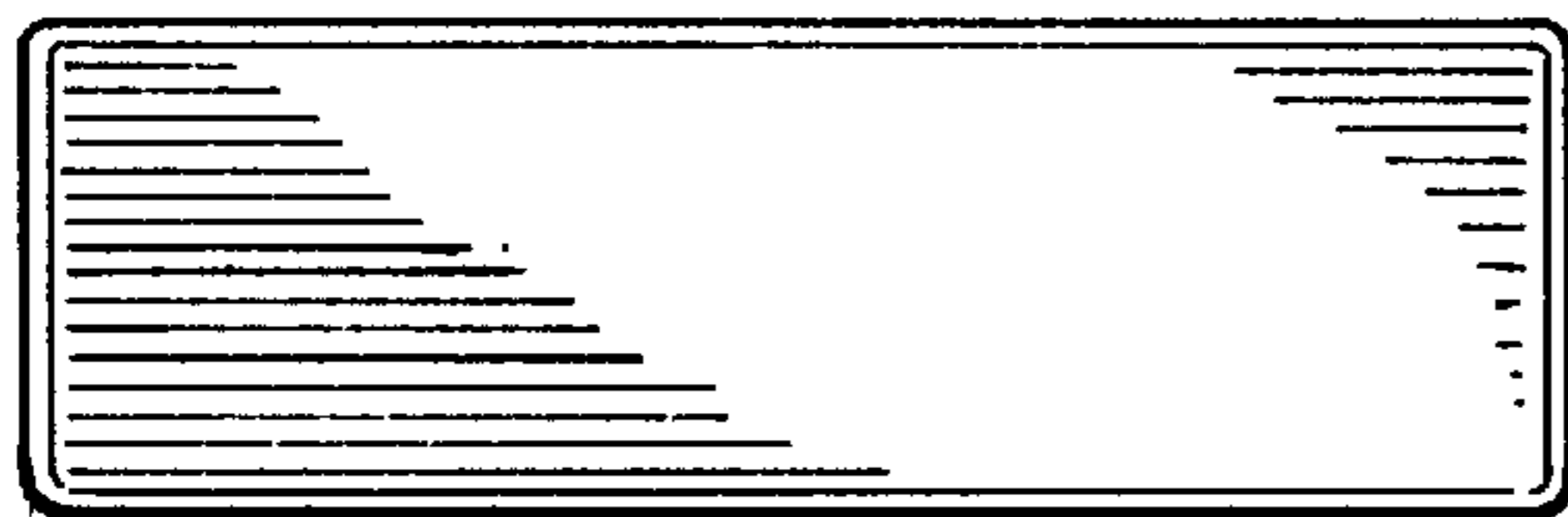


FIG. 6

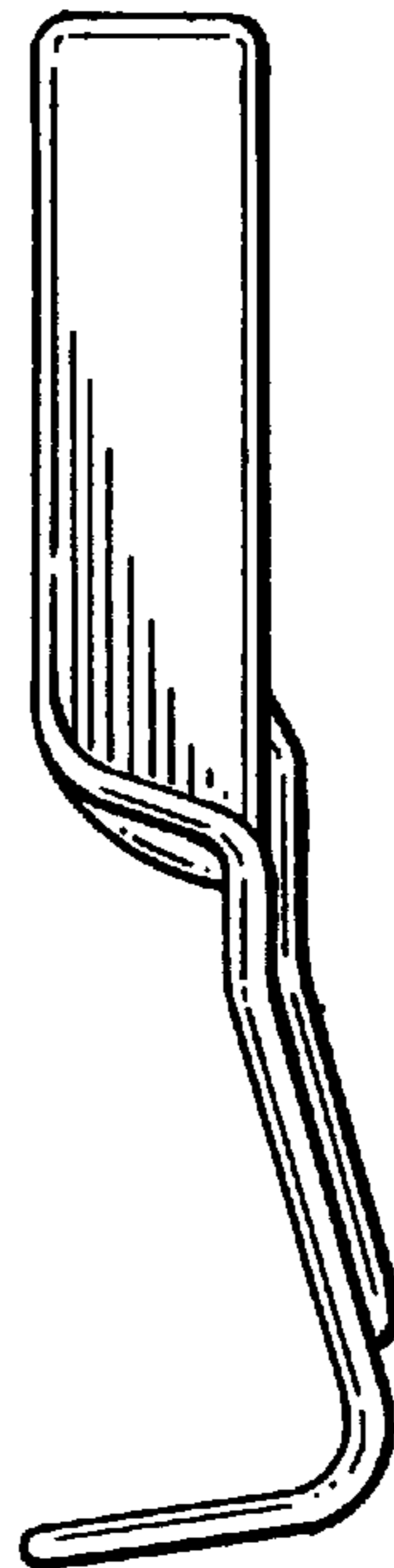


FIG. 7

UNITED STATES PATENT AND TRADEMARK OFFICE
CERTIFICATE OF CORRECTION

PATENT NO. : Des. 406,559

DATED : March 9, 1999

INVENTOR(S) : LUNDGREN, Anders

It is certified that error appears in the above-identified patent and that said Letters Patent is hereby corrected as shown below:

On the title page, item [54] the title should read:

CLAMPING PLATE FOR LOAD CARRIER FOOT

Signed and Sealed this
Twentieth Day of July, 1999

Attest:



Q. TODD DICKINSON

Attesting Officer

Acting Commissioner of Patents and Trademarks