



US00D406556S

United States Patent [19]
Payne

[11] **Patent Number:** **Des. 406,556**
[45] **Date of Patent:** ****Mar. 9, 1999**

[54] **BACK SEAT VIEWING MIRROR**
[76] Inventor: **Angelia L. Payne**, P.O. Box 1201,
Roanoke, Ala. 36274-1201
[**] Term: **14 Years**
[21] Appl. No.: **84,774**
[22] Filed: **Mar. 10, 1998**
[51] **LOC (6) Cl.** **12-16**
[52] **U.S. Cl.** **D12/187**
[58] **Field of Search** D11/187, 188,
D11/189; 359/629, 838, 841, 844-846,
850, 857, 854-855, 864-868, 871-875,
872, 879, 880, 848, 843, 860, 876; 243/74.1,
302-303, 475.1, 475 R, 479-480, 487,
476

4,828,379 5/1989 Parsons et al. D12/187

Primary Examiner—Ralf Seifert

[57] **CLAIM**

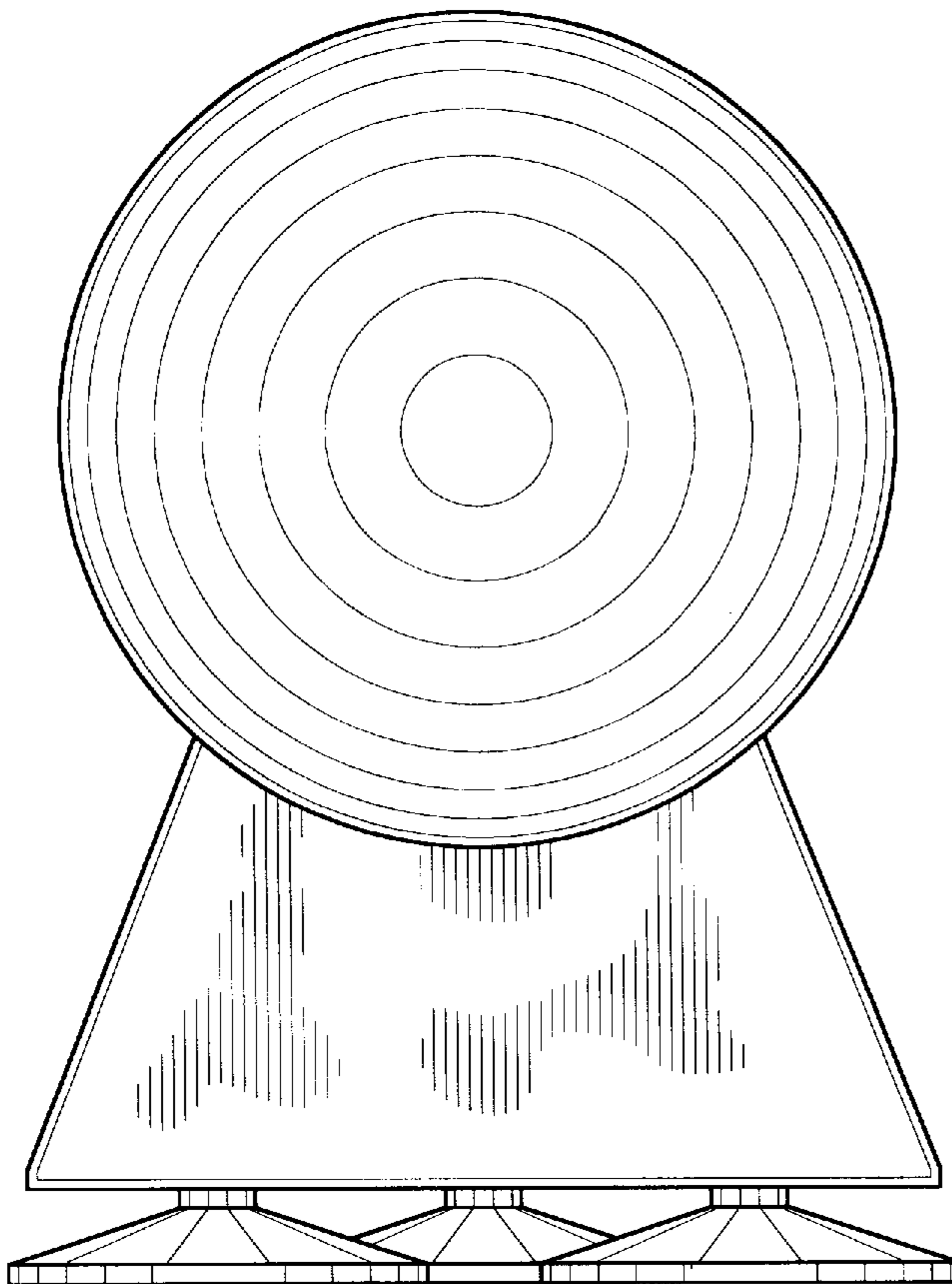
The ornamental design for a back seat viewing mirror, as shown.

DESCRIPTION

FIG. 1 is a front elevational view of the back seat viewing mirror of the present invention;
FIG. 2 is a back elevational view of the back seat viewing mirror of FIG. 1;
FIG. 3 is a left side elevational view of the back seat viewing mirror of FIG. 1;
FIG. 4 is a right side elevational view of the back seat viewing mirror of FIG. 1;
FIG. 5 is a top plan view of the back seat viewing mirror of FIG. 1; and,
FIG. 6 is a bottom plan view of the back seat viewing mirror of FIG. 1.

[56] **References Cited**
U.S. PATENT DOCUMENTS
D. 207,065 2/1967 Lee D12/188

1 Claim, 3 Drawing Sheets



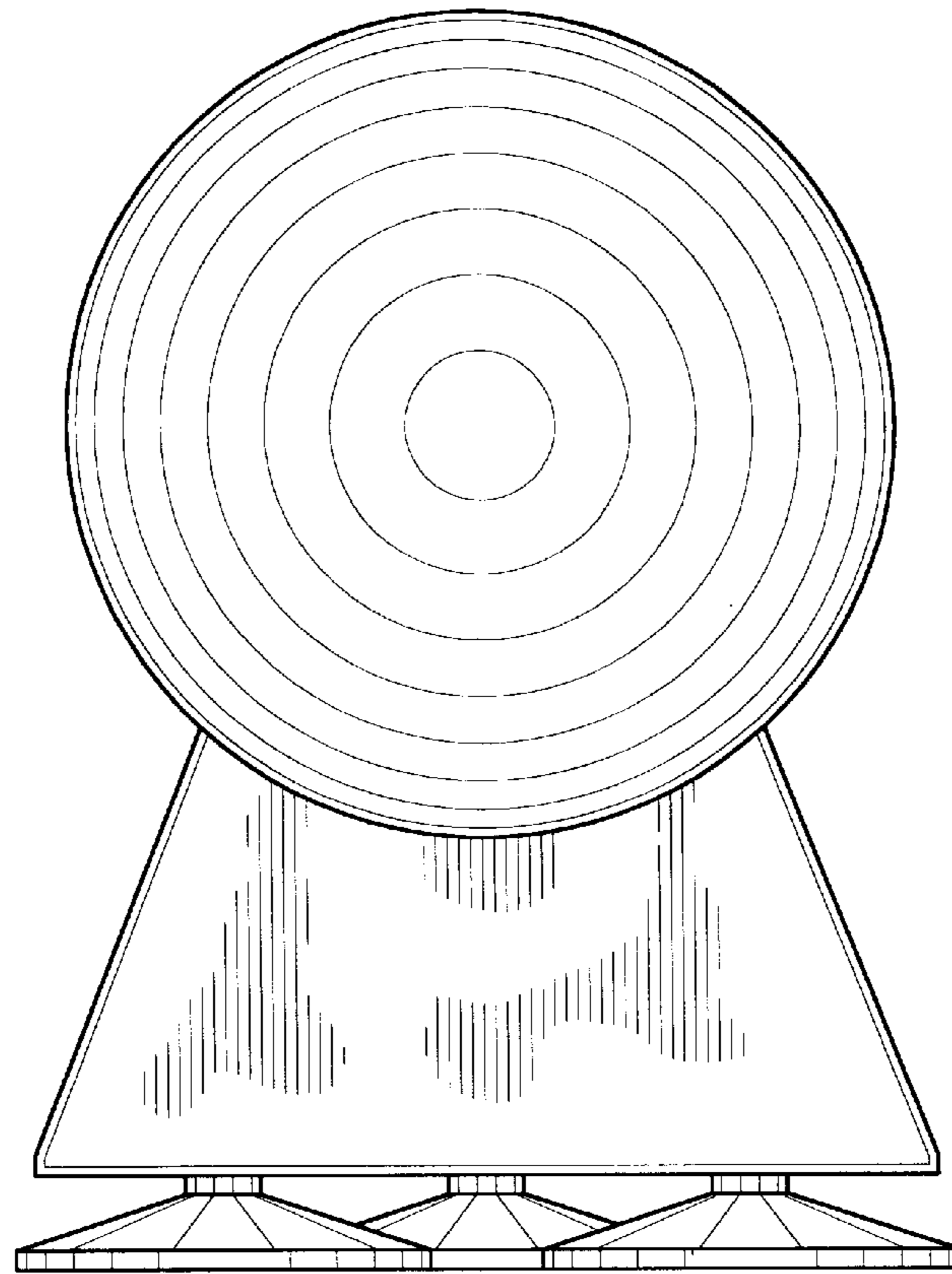


Fig. 1

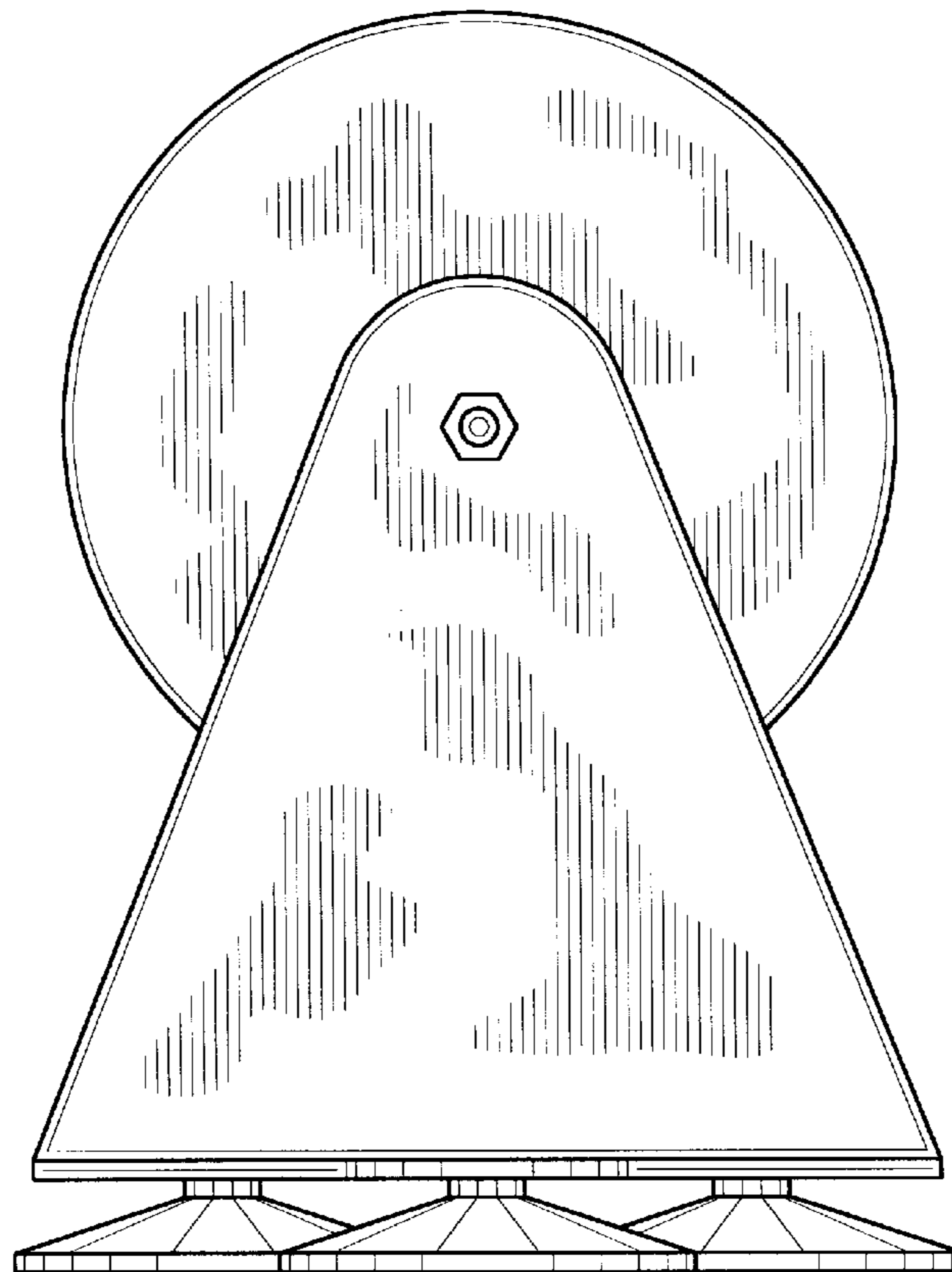


Fig. 2

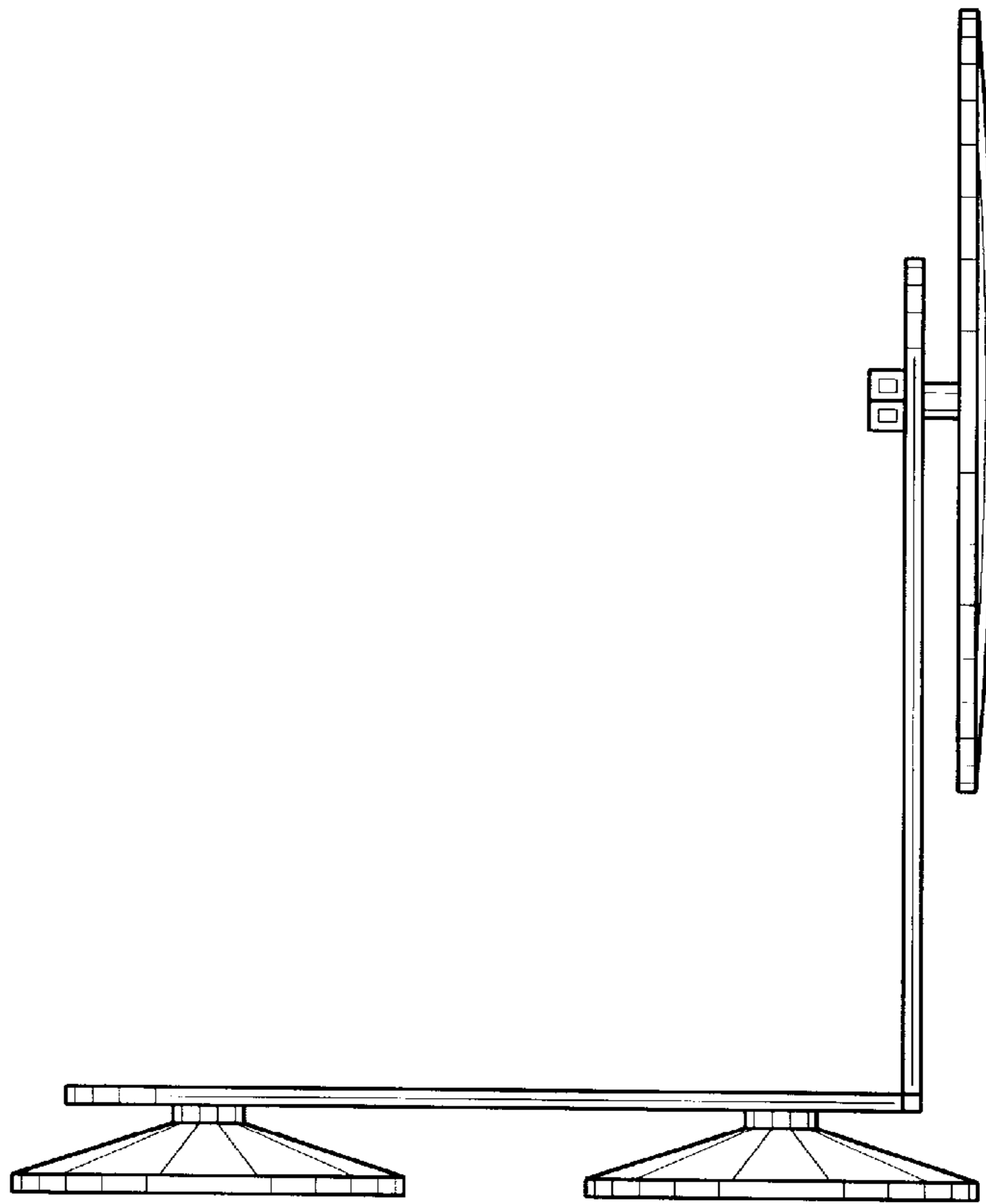


Fig. 3

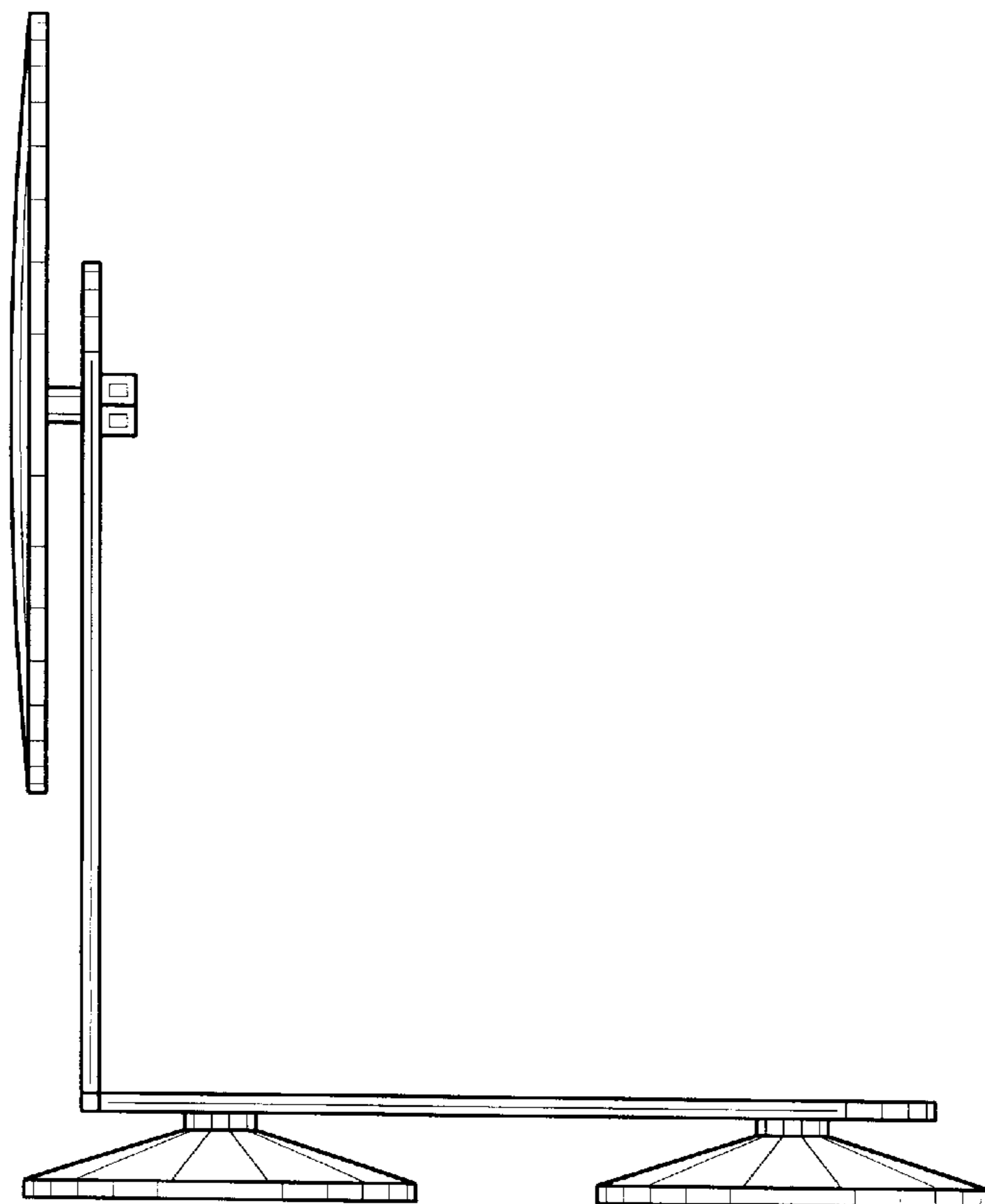


Fig. 4

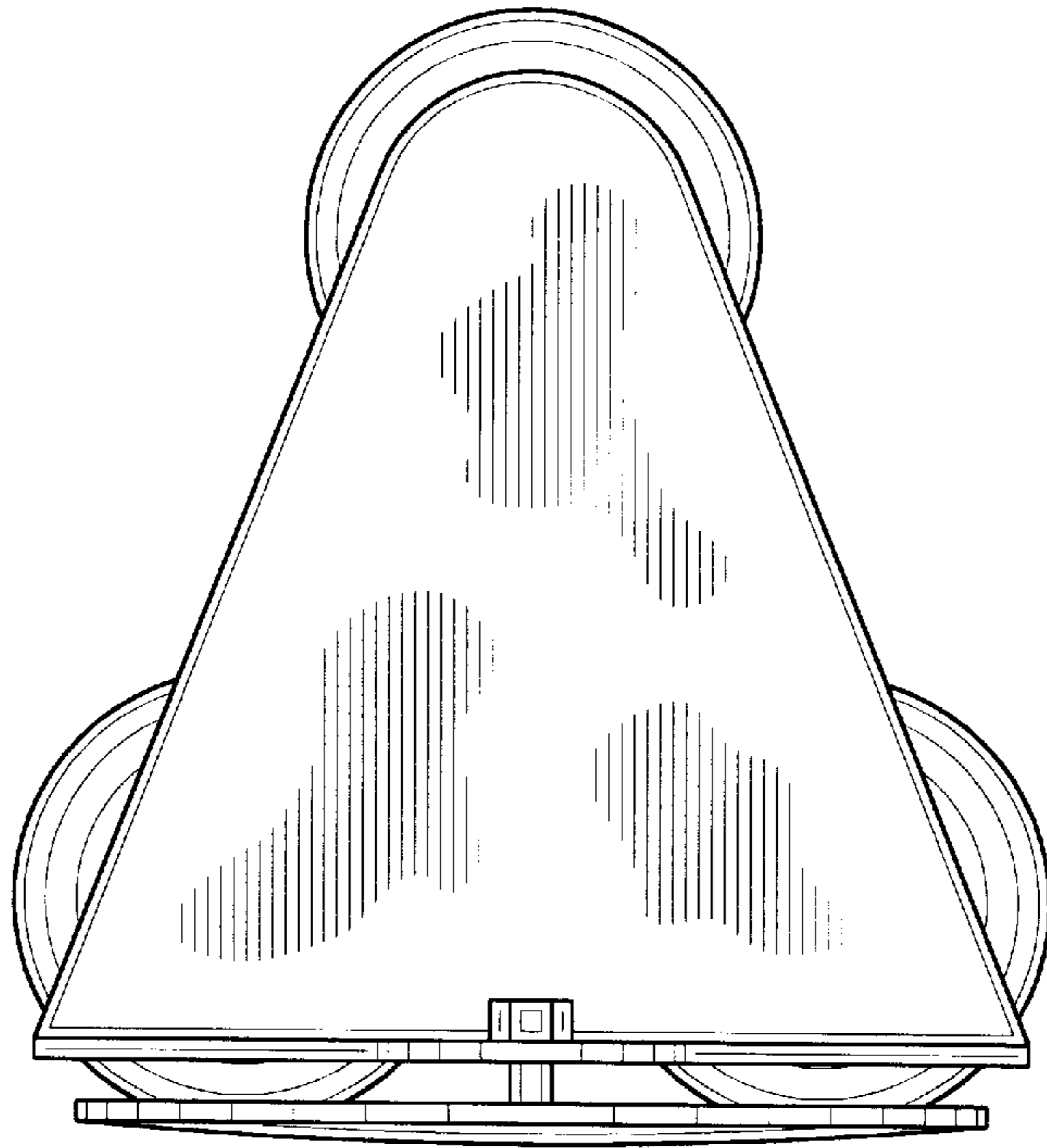


Fig. 5

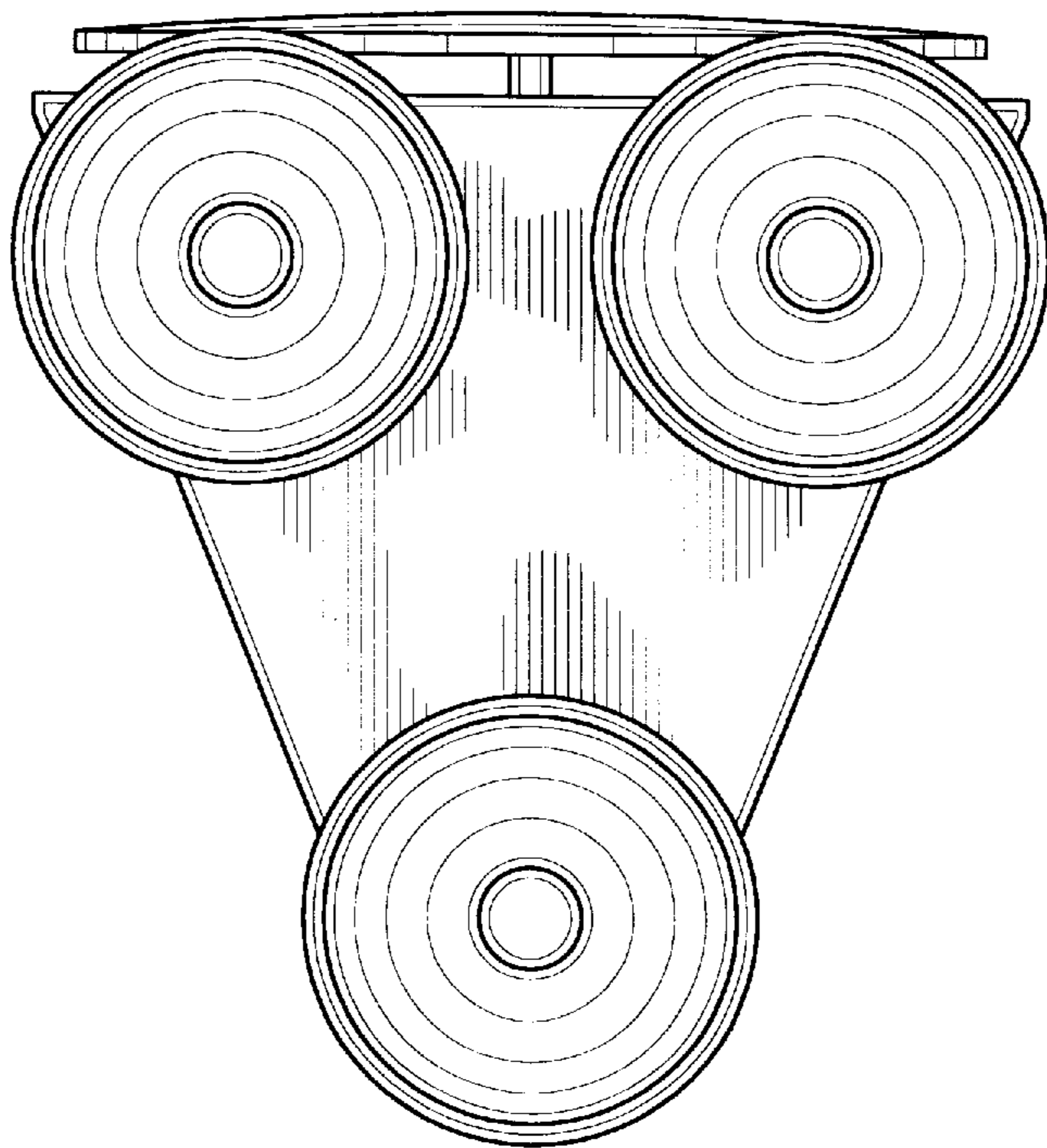


Fig. 6