



US00D406554S

United States Patent [19]

Challoner et al.

[11] **Patent Number: Des. 406,554**

[45] **Date of Patent: **Mar. 9, 1999**

[54] **TRICYCLE FRAME**

[76] Inventors: **Lewis Challoner**, 935 Avalon Rd.;
D'Ann Challoner, 935 Avalon, both of
Janesville, Wis. 53546

[**] Term: **14 Years**

[21] Appl. No.: **49,951**

[22] Filed: **Feb. 5, 1996**

[51] **LOC (6) Cl.** **12-11**

[52] **U.S. Cl.** **D12/112; D12/109**

[58] **Field of Search** **D12/111, 112,**
D12/113, 109; 280/209, 231

[56] **References Cited**

U.S. PATENT DOCUMENTS

D. 364,835 12/1995 Barney et al. D12/112

3,870,338	3/1975	Holub	280/209
3,902,738	9/1975	Gandred	280/209
4,290,620	9/1981	Chika	280/209
4,834,410	5/1989	Parker	280/231 X
5,511,809	4/1996	Sagi	280/209

Primary Examiner—Melody N. Brown

[57] **CLAIM**

The ornamental design for a tricycle frame, as shown.

DESCRIPTION

FIG. 1 is a perspective view of a tricycle frame showing our new design;
FIG. 2 is a front elevational view of a thereof;
FIG. 3 is a rear elevational view thereof;
FIG. 4 is a bottom plan view thereof; and,
FIG. 5 is a top plan view thereof.

1 Claim, 2 Drawing Sheets

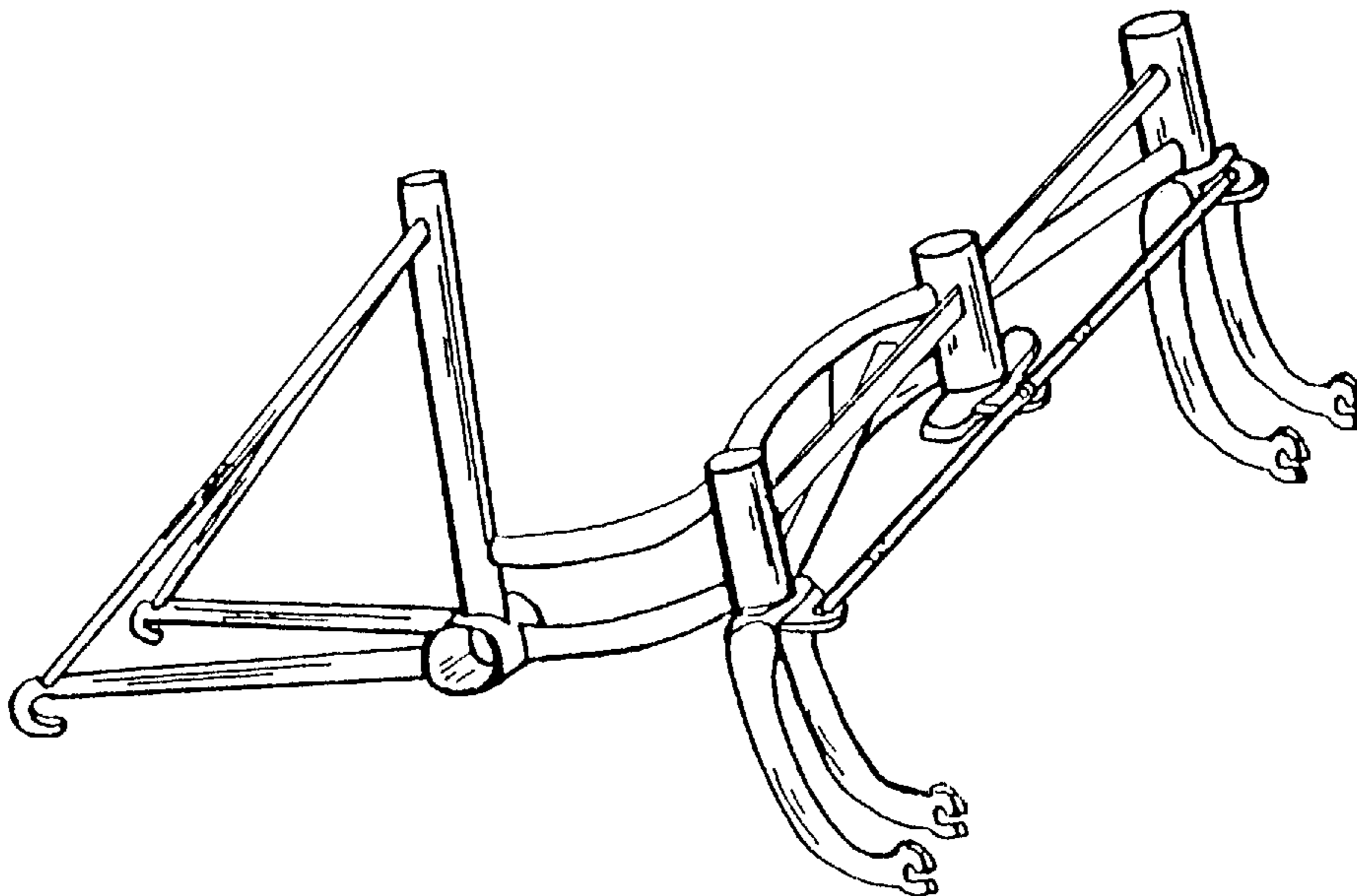


FIG. 1

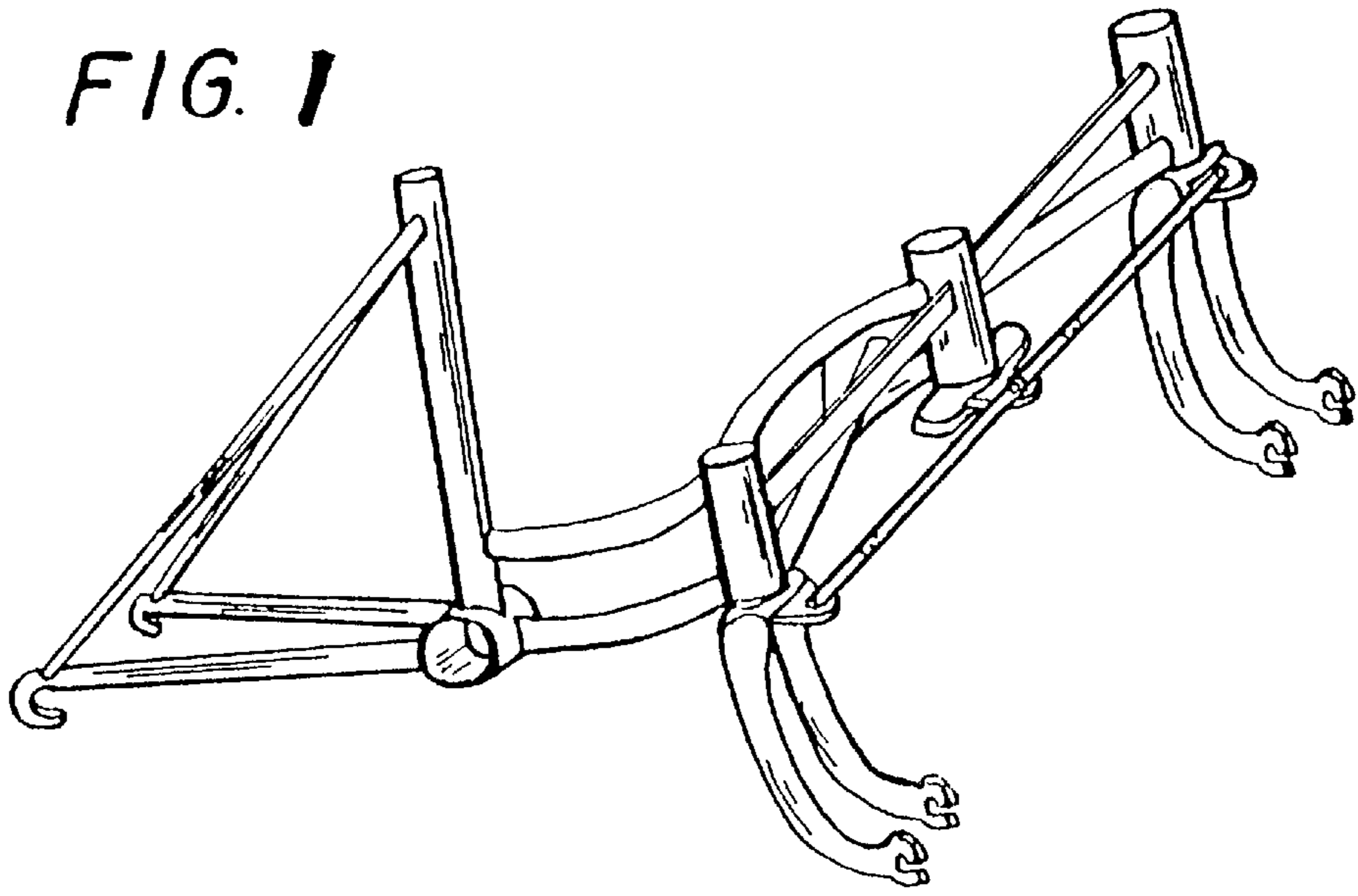


FIG. 2

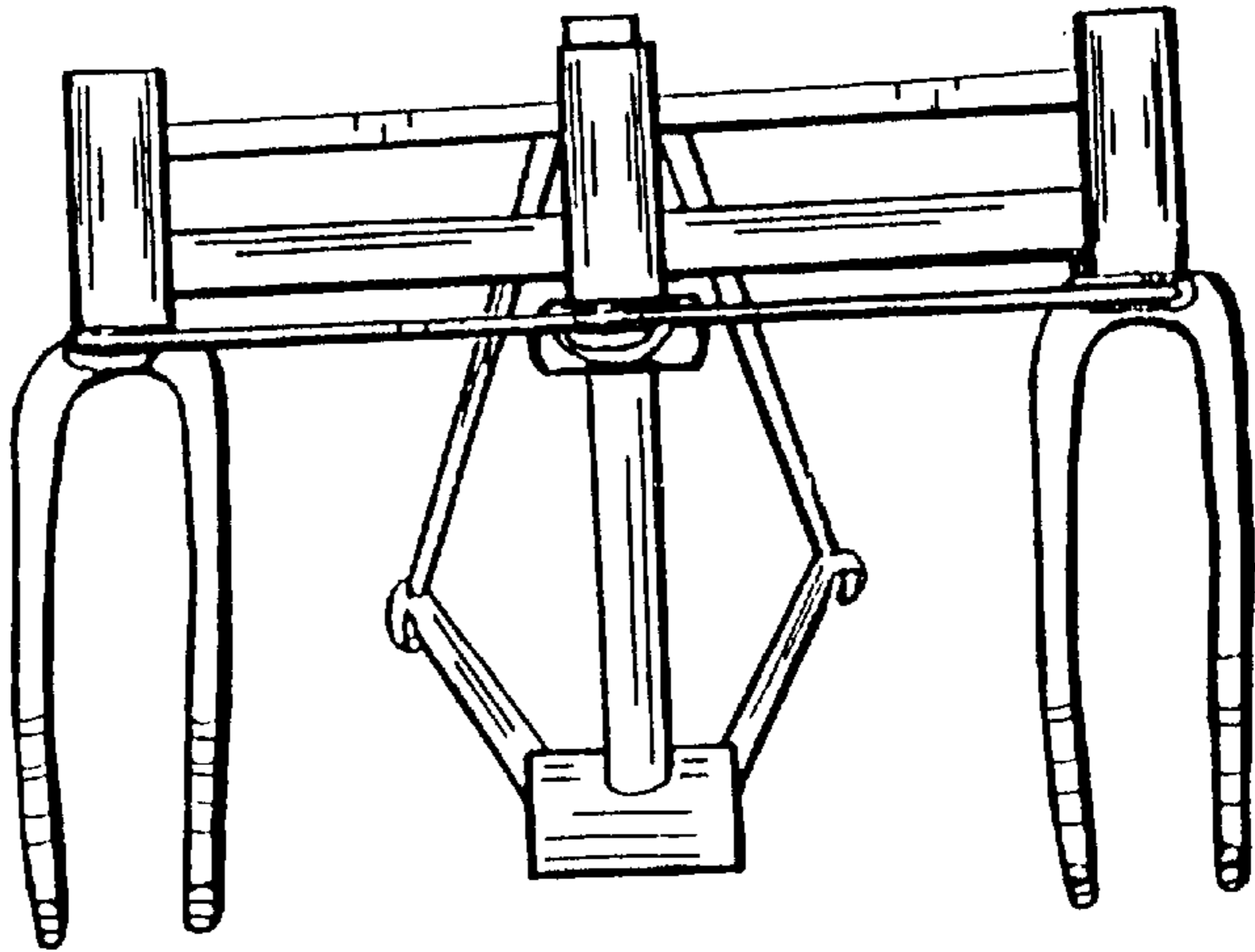


FIG. 3

