



US00D406552S

United States Patent [19]

[11] **Patent Number: Des. 406,552**

Hellhake et al.

[45] **Date of Patent: **Mar. 9, 1999**

[54] **RAISED ROOF TRUCK EXTERIOR SURFACE**

Freightliner Business Class FL 112 Conventional brochure (Copyright 1995).

[75] Inventors: **Ferdinand F. Hellhake**, Beaverton; **Mark S. Hurayt**, Aloha; **Joachim Paschke**, Portland; **Sigmund D. Runyon**, Sandy, all of Oreg.

(List continued on next page.)

[73] Assignee: **Freightliner Corporation**, Portland, Oreg.

Primary Examiner—Melody N Brown
Attorney, Agent, or Firm—Klarquist Sparkman Campbell Leigh & Winston

[**] Term: **14 Years**

[57] CLAIM

The ornamental design for a raised roof truck exterior surface, as shown and described.

[21] Appl. No.: **81,643**

DESCRIPTION

[22] Filed: **Jan. 7, 1998**

Related U.S. Application Data

[62] Division of Ser. No. 50,609, Feb. 16, 1996.

[51] **LOC (6) Cl.** **12-08**

[52] **U.S. Cl.** **D12/93**

[58] **Field of Search** D12/96, 97; 296/181-183, 296/199; 180/89.1, 89.12, 89.14, 89.16, 89.19

FIG. 1 is a perspective view of one embodiment of the exterior surface of a truck of the present invention;

FIG. 2 is a right side view of the truck exterior surface of FIG. 1;

FIG. 3 is a left side view of the truck exterior surface of FIG. 1;

FIG. 4 is a top view of the truck exterior surface of FIG. 1;

FIG. 5 is a bottom view of the truck exterior surface of FIG. 1;

FIG. 6 is a front view of the truck exterior surface of FIG. 1;

FIG. 7 is a back view of the truck exterior surface of FIG. 1;

FIG. 8 is a front perspective view of the second embodiment of a truck exterior surface of the present invention without the optional roof windows, rear sleeper compartment doors and door window of the truck exterior surface of FIG. 1;

FIG. 9 is a front view of the truck exterior surface of FIG. 8;

FIG. 10 is a right side view of the truck exterior surface of FIG. 8;

FIG. 11 is the left side view of the truck exterior surface of FIG. 8; and,

FIG. 12 is a top view of the truck exterior surface of FIG. 8, it being understood that the bottom and back views of the truck exterior surface of FIG. 8 are identical to those of the truck exterior surface of the embodiment of FIG. 1. The broken lines shown in all drawing views are for illustrative purposes only and for no part of the claimed design.

[56] References Cited

U.S. PATENT DOCUMENTS

D. 305,746	1/1990	Allendorph	D12/173
D. 308,032	5/1990	Kerney et al.	D12/96
D. 312,805	12/1990	Marlowe et al.	D12/96
D. 320,583	10/1991	Simons et al.	D12/96
D. 328,273	7/1992	McGrew, Jr. et al.	D12/96
D. 367,027	2/1996	Onopa	D12/173
D. 394,028	5/1998	Hellhake et al.	D12/96
4,932,716	6/1990	Marlowe et al.	296/180.2
5,308,134	5/1994	Stanesic	296/91

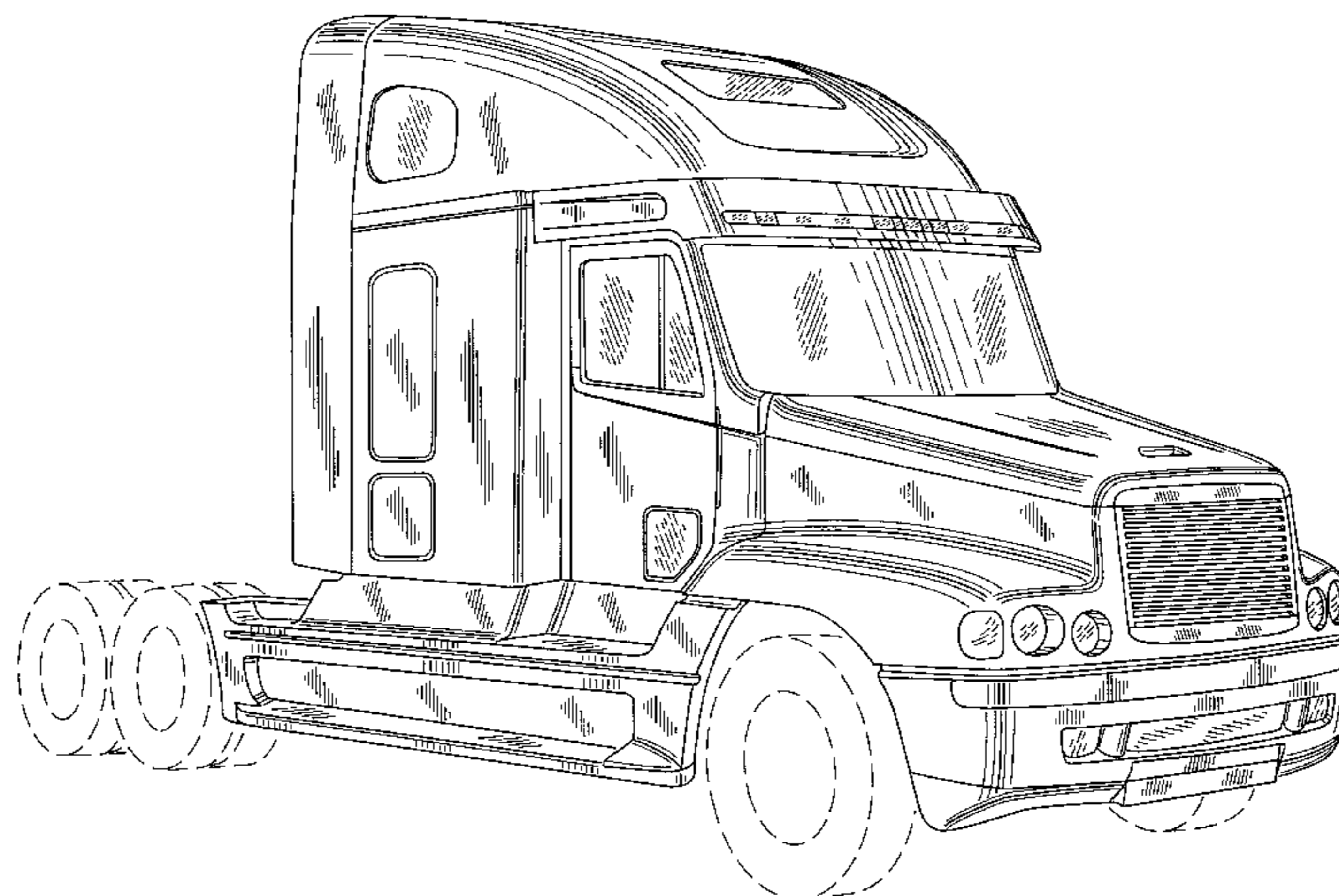
OTHER PUBLICATIONS

Freightliner Business Class brochure (Copyright 1996) (depicting prior art trucks).

Freightliner Heavy-Duty Trucks, FLD 120 Conventional (depicting prior art trucks).

Freightliner Heavy-Duty Trucks, The Classic XL (depicting prior art trucks).

1 Claim, 10 Drawing Sheets



OTHER PUBLICATIONS

Copy of undated International (Navistar) brochure depicting 9000 Conventional trucks (prior art trucks).

Copy of WhiteGMC brochure entitled "WhiteGMC™ Tall Integral Sleeper" (Copyright 1992).

Copy of page from undated Volvo brochure showing a Volvo truck.

FIG. 1

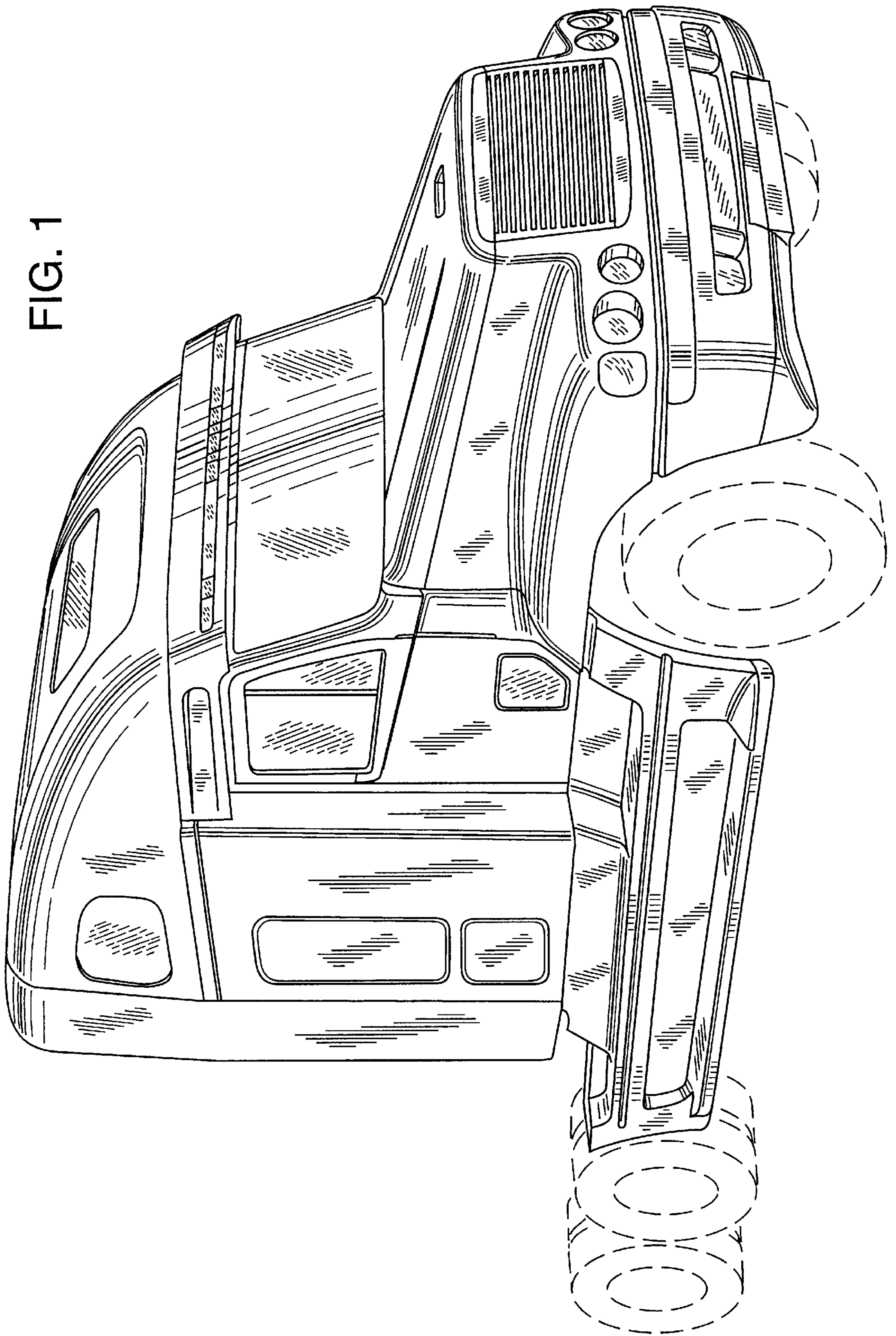


FIG. 2

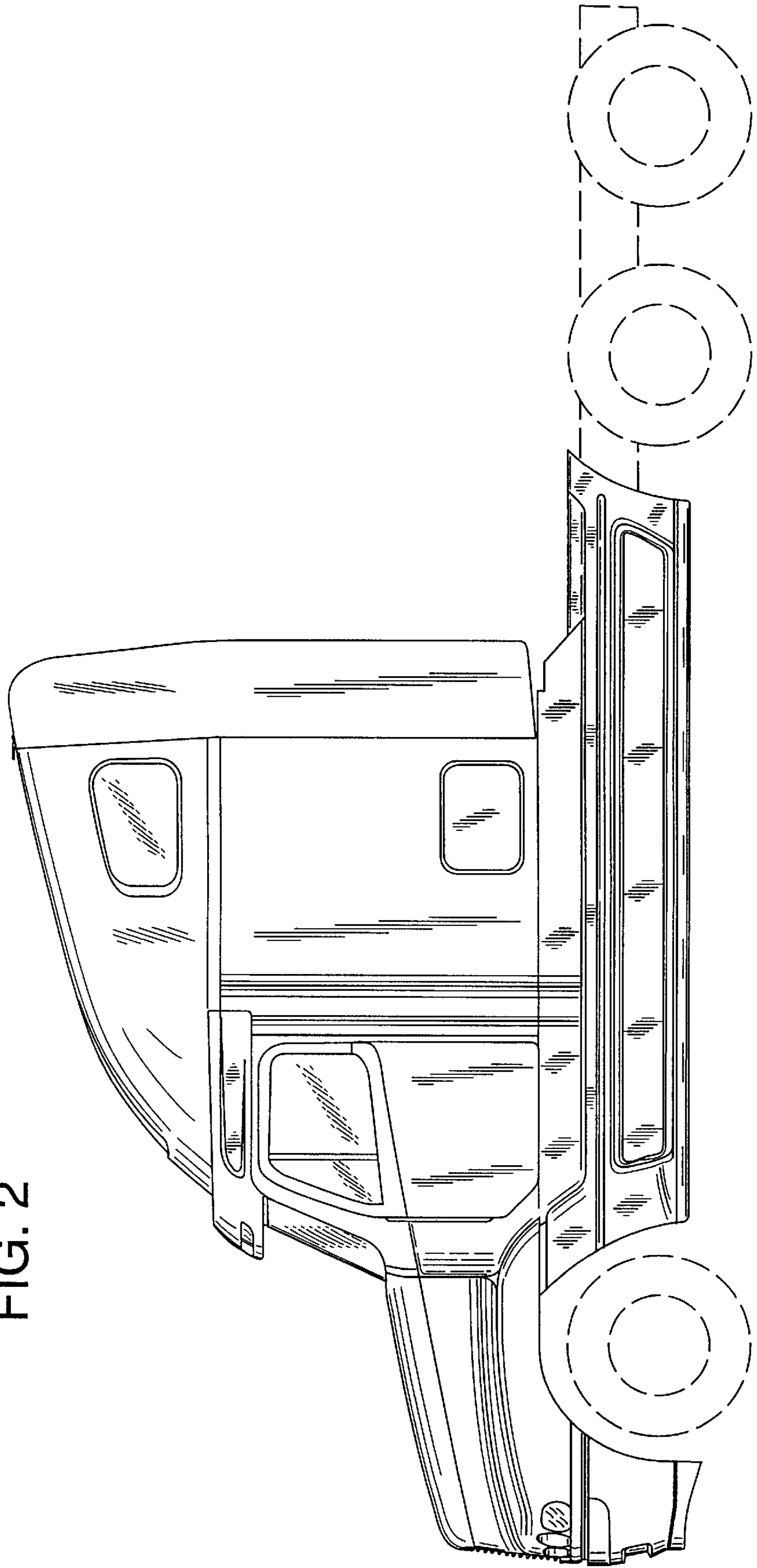
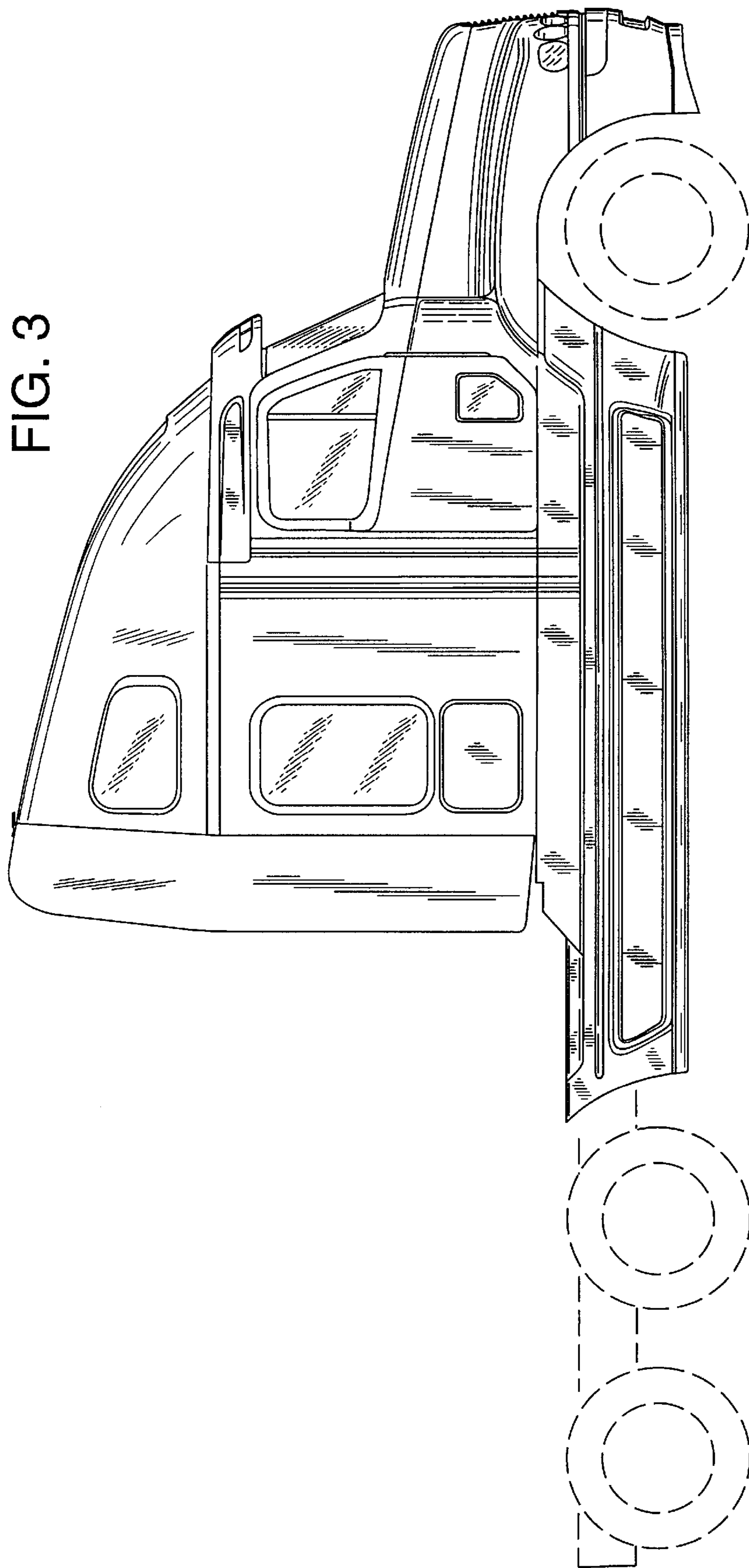


FIG. 3



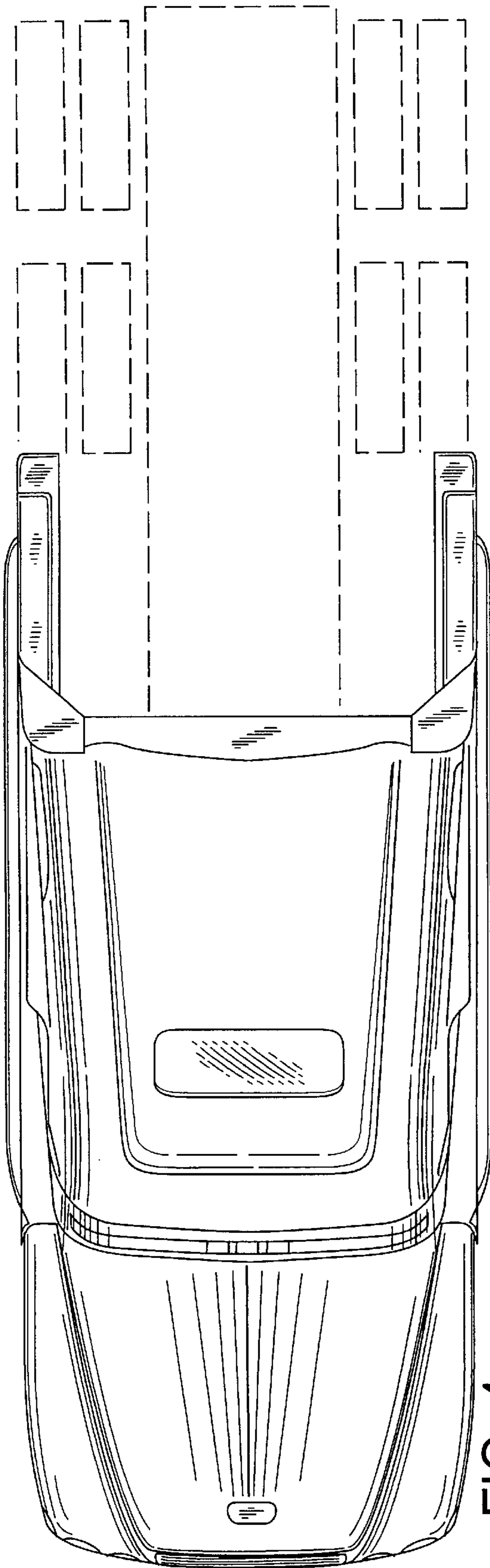


FIG. 4
FIG. 5

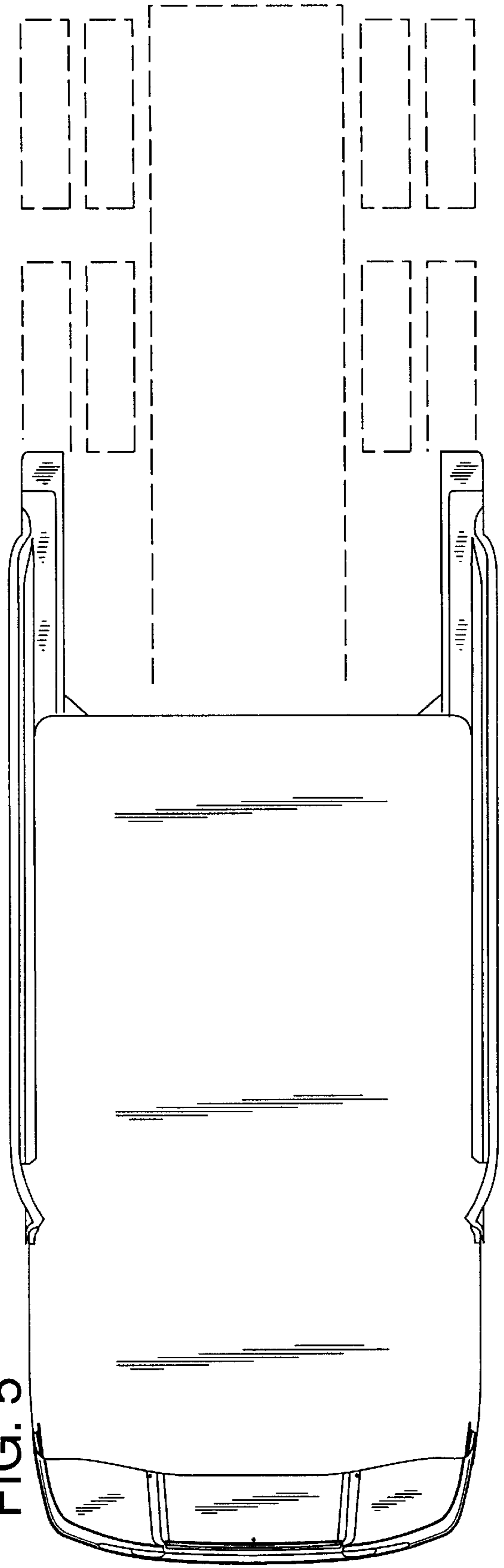


FIG. 6

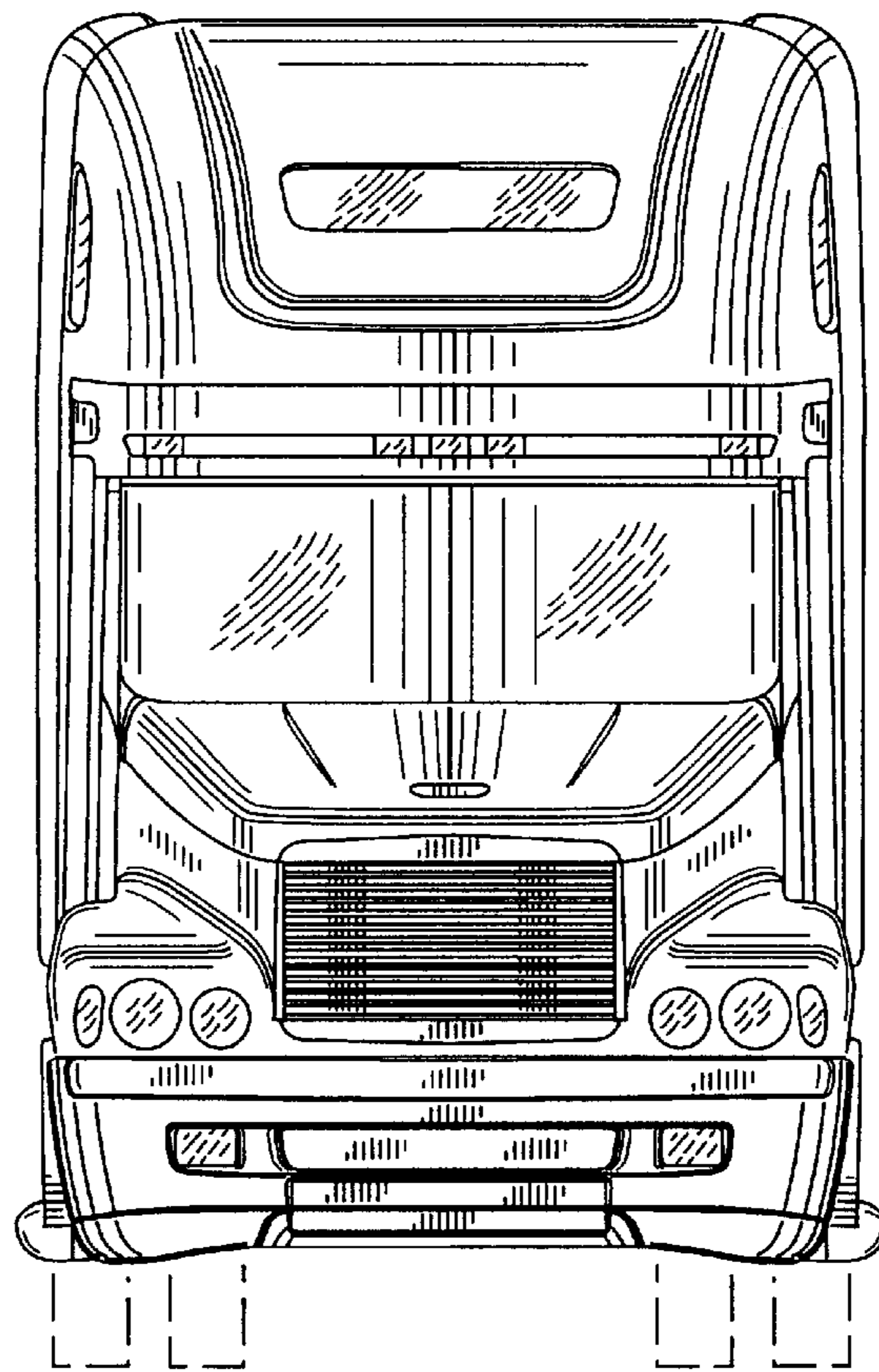


FIG. 7

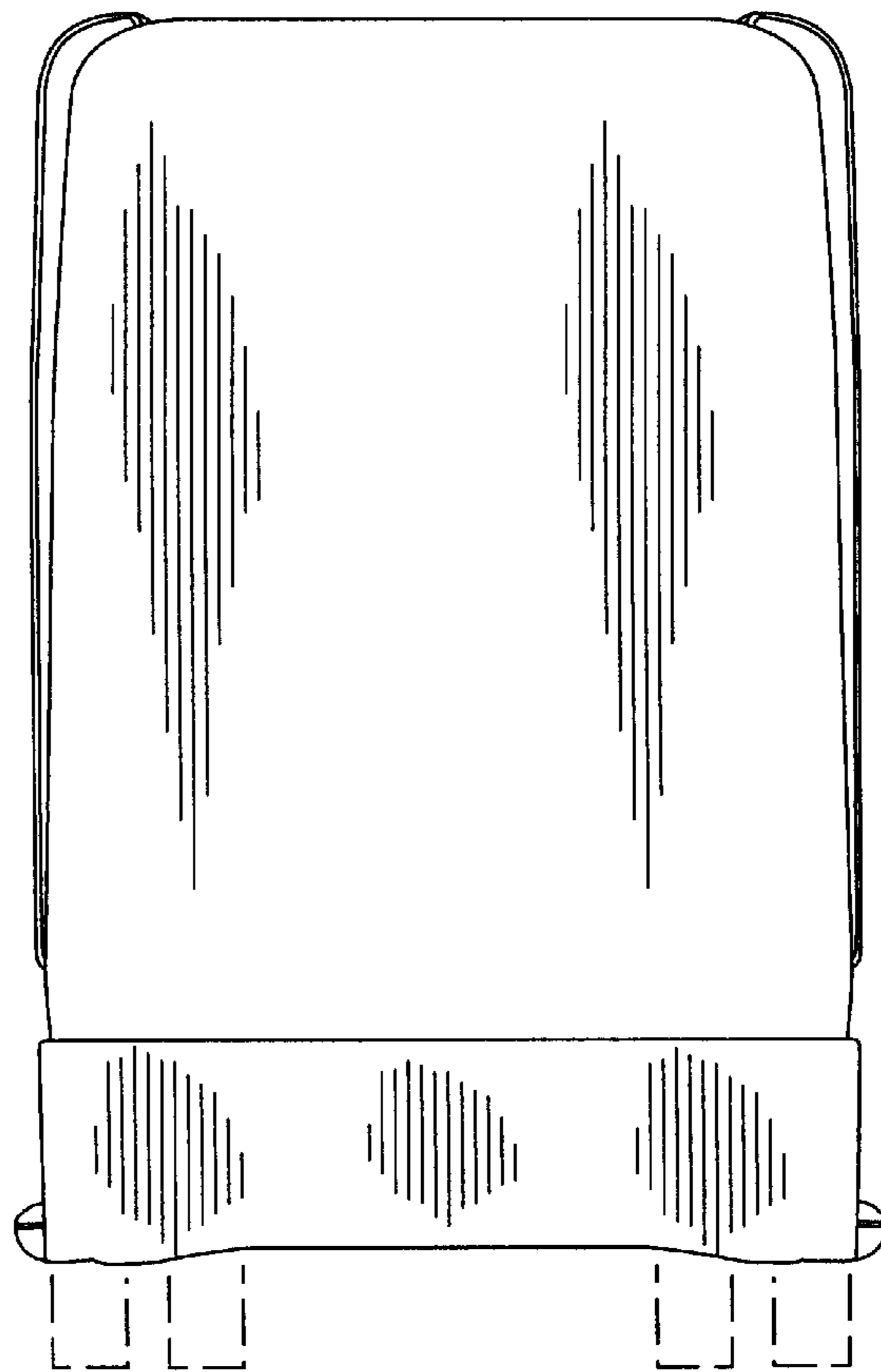


FIG. 8

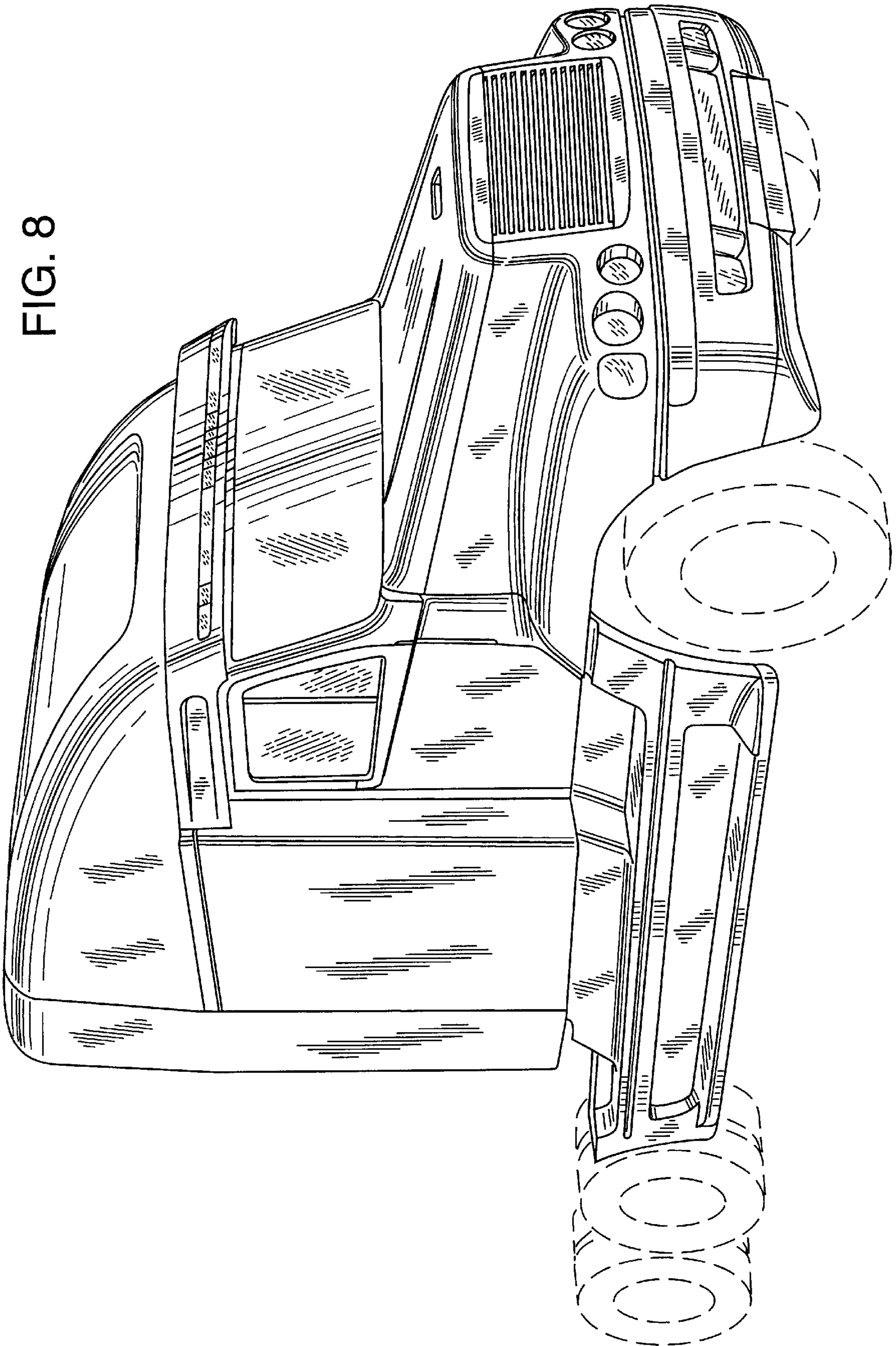


FIG. 9

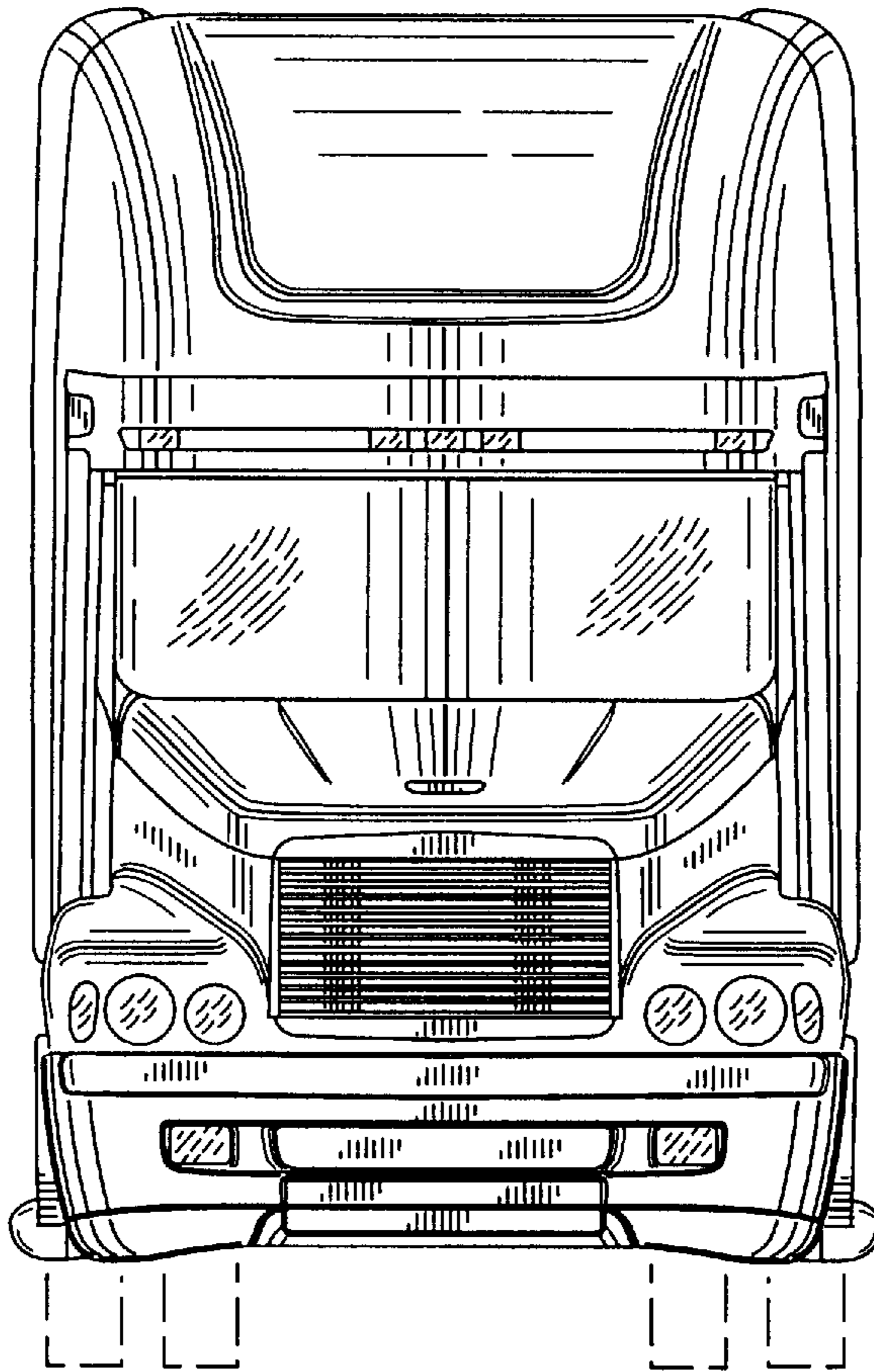


FIG. 10

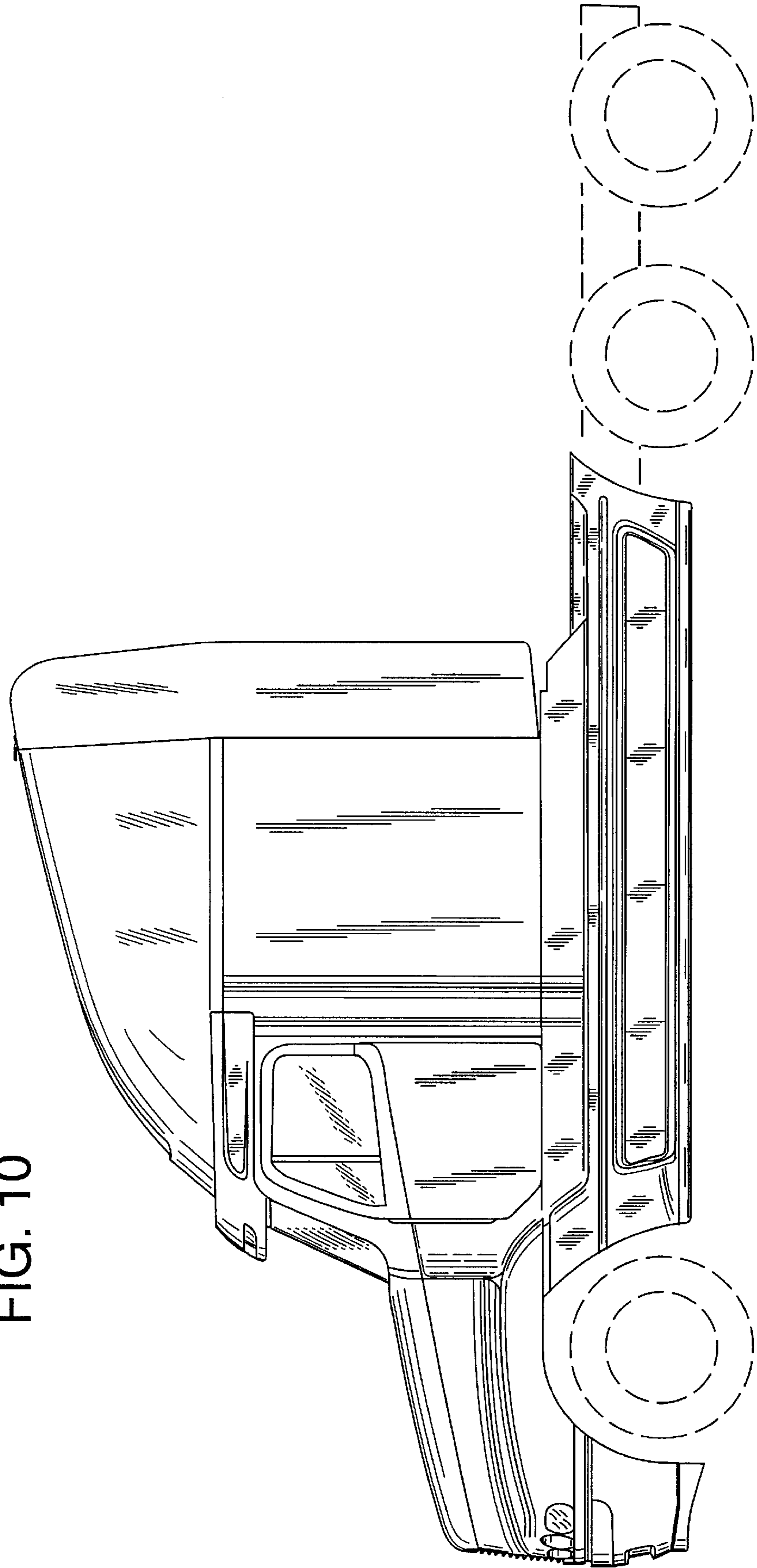


FIG. 11

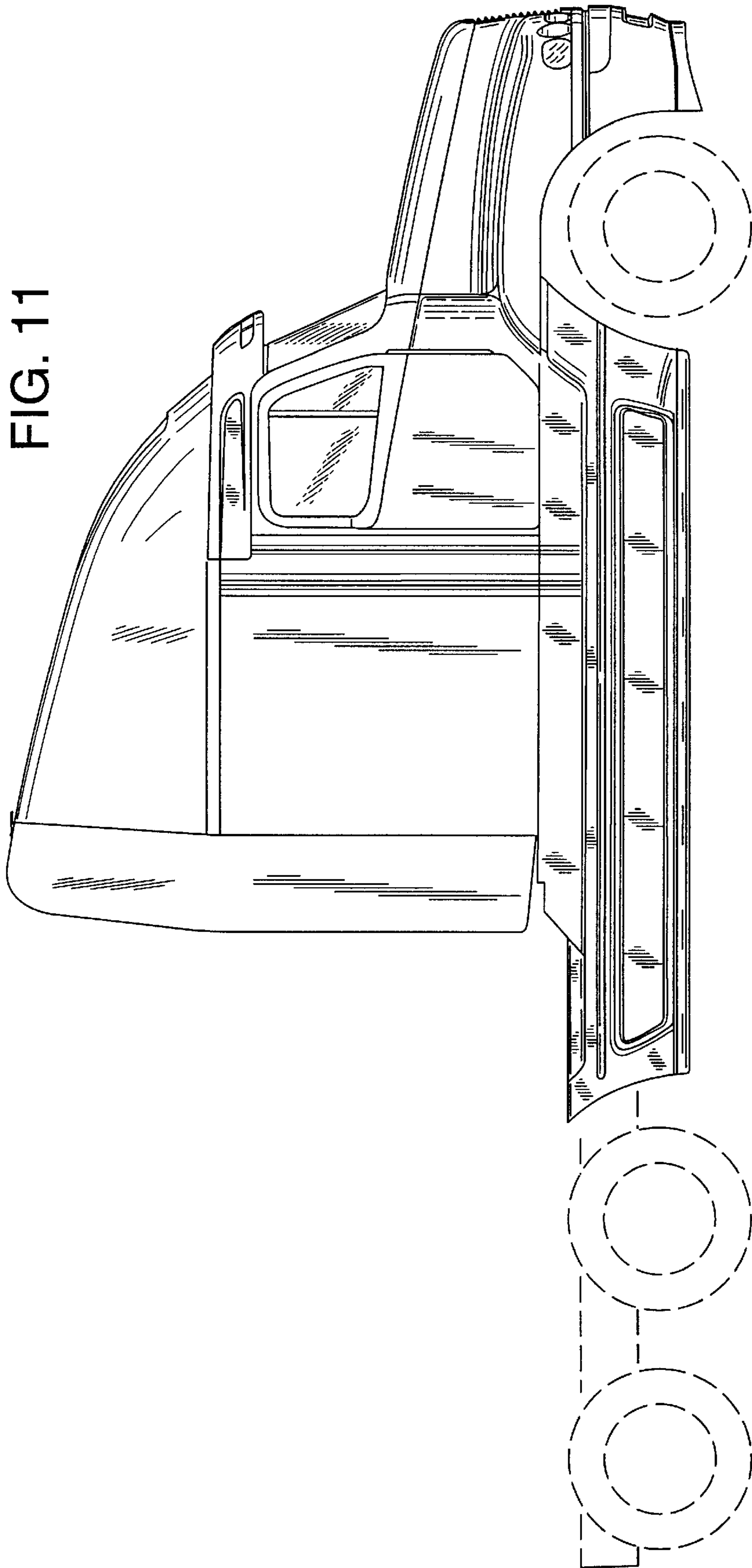


FIG. 12

