



US00D406549S

United States Patent [19]

Bailey et al.

[11] **Patent Number: Des. 406,549**

[45] **Date of Patent: **Mar. 9, 1999**

[54] **VEHICLE**

D. 340,680	10/1993	Campbell	D12/91
D. 374,415	10/1996	Thomson	D12/91
D. 378,074	2/1997	Sauo et al.	D12/91

[75] Inventors: **Terrence Bailey**, Tamworth; **Colin John Smith**, Banbury; **George Greenway**, Sutton Coldfield; **Jevon Thurston Thorpe**, Hinckley, all of United Kingdom

Primary Examiner—Melody N. Brown
Attorney, Agent, or Firm—Brown, Rudnick, Freed and Gesmer

[73] Assignee: **LTI Limited**, Coventry, United Kingdom

[57] **CLAIM**

[**] Term: **14 Years**

We claim the ornamental design for a vehicle, as shown and described.

[21] Appl. No.: **85,176**

DESCRIPTION

[22] Filed: **Mar. 17, 1998**

[30] **Foreign Application Priority Data**

Sep. 19, 1997 [GB] United Kingdom 2069313

FIG. 1 is a right, front perspective view of a vehicle showing my new design;

[51] **LOC (6) Cl.** **12-08**

FIG. 2 is a left, rear perspective view thereof;

[52] **U.S. Cl.** **D12/91**

FIG. 3 is a front elevational view thereof;

[58] **Field of Search** D12/82, 86, 90,
D12/91; 296/185

FIG. 4 is a rear elevational view thereof;

FIG. 5 is a top plan view thereof; and,

FIG. 6 is a left side elevational view thereof.

[56] **References Cited**

U.S. PATENT DOCUMENTS

D. 224,097 7/1972 Cudlow D12/91

1 Claim, 5 Drawing Sheets

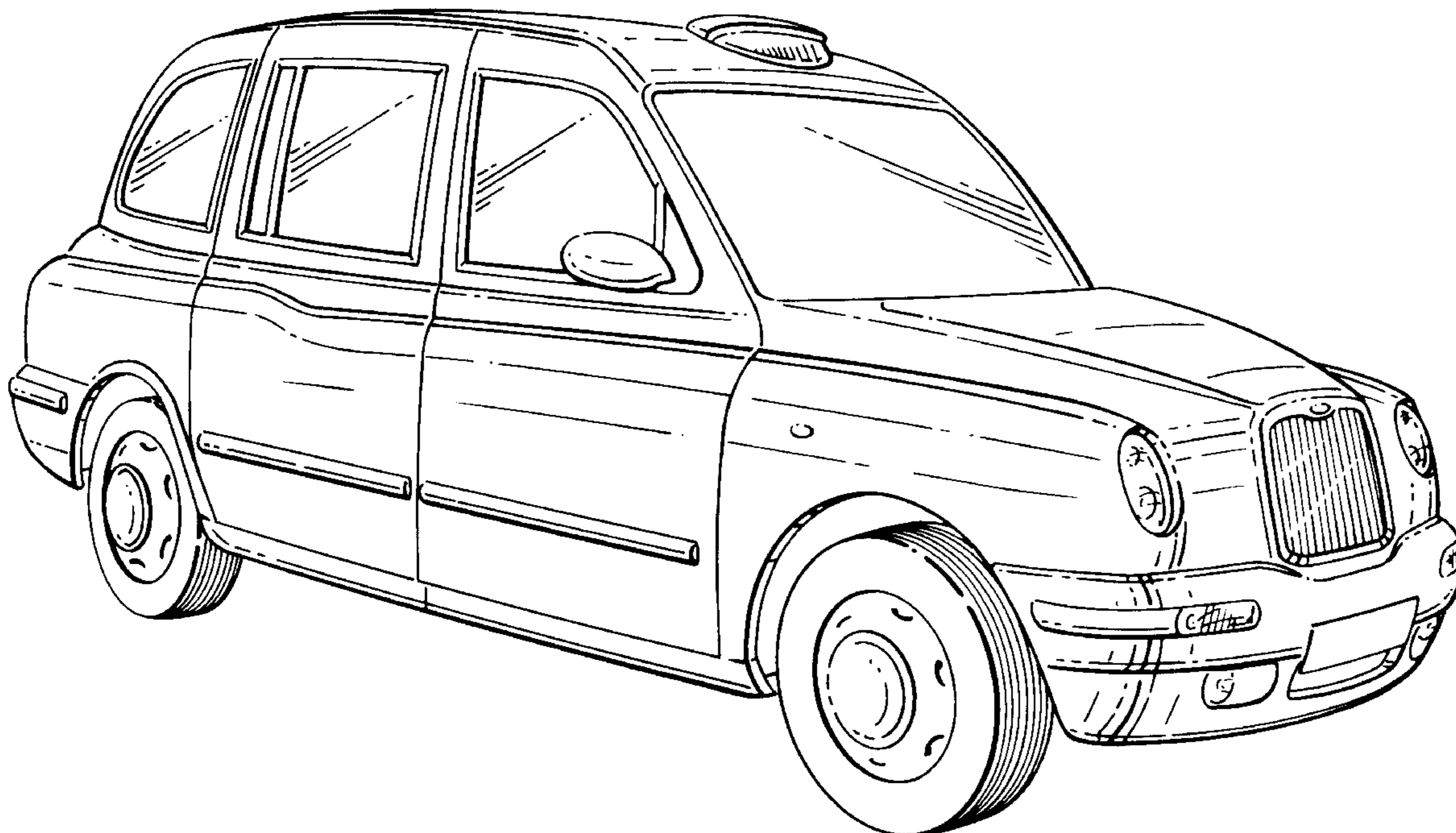


FIG. 1

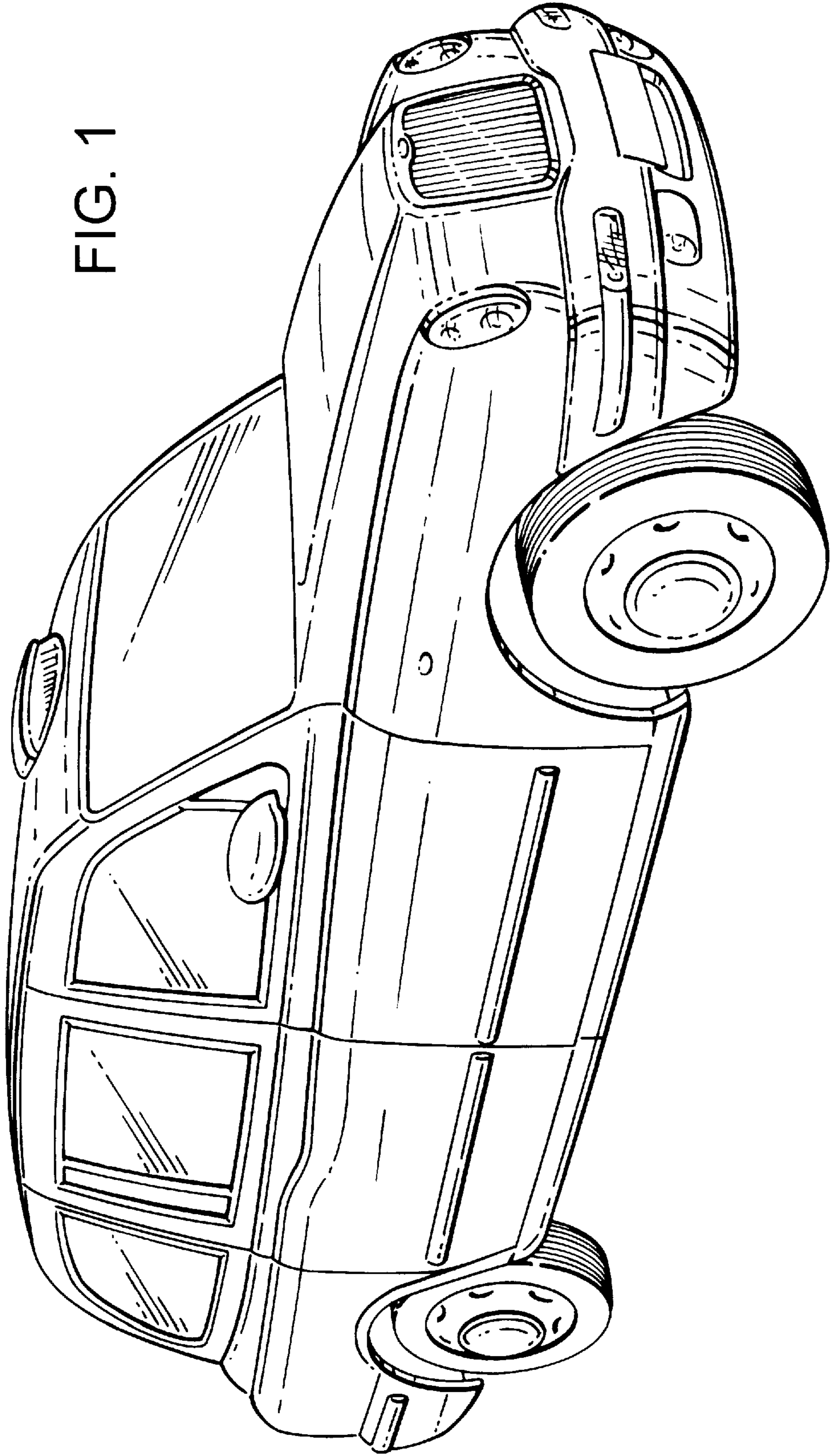


FIG. 2

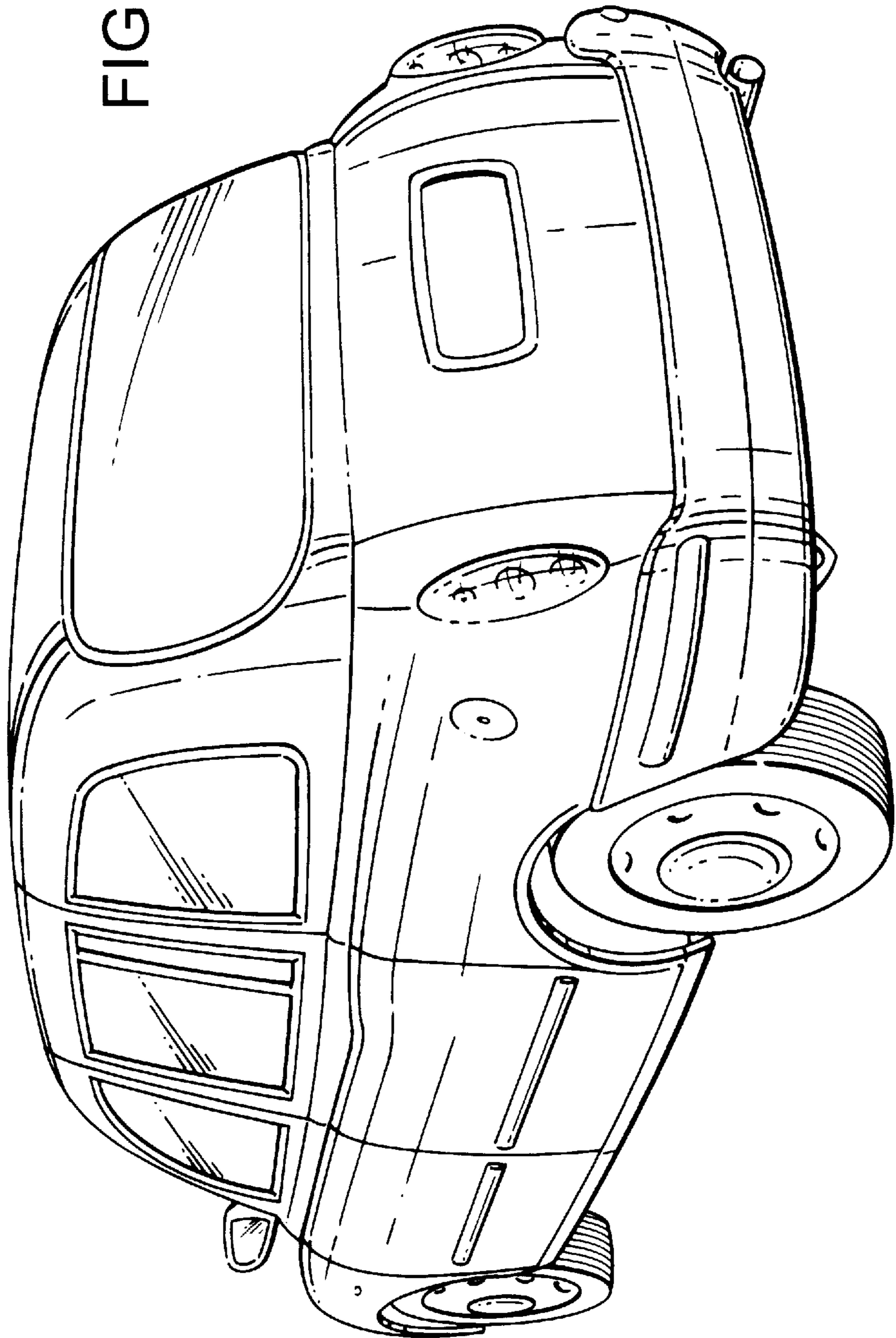


FIG. 4

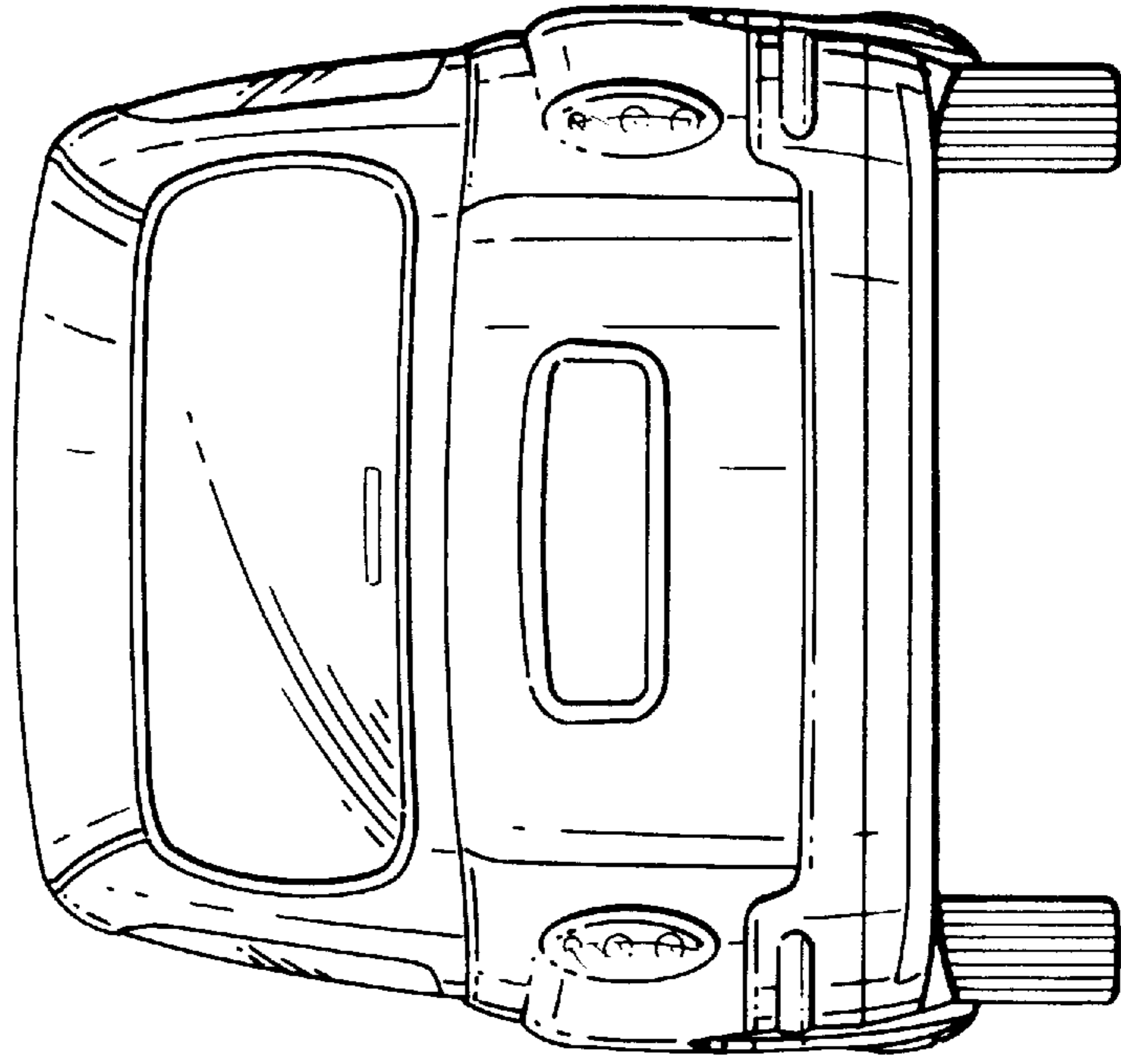


FIG. 3

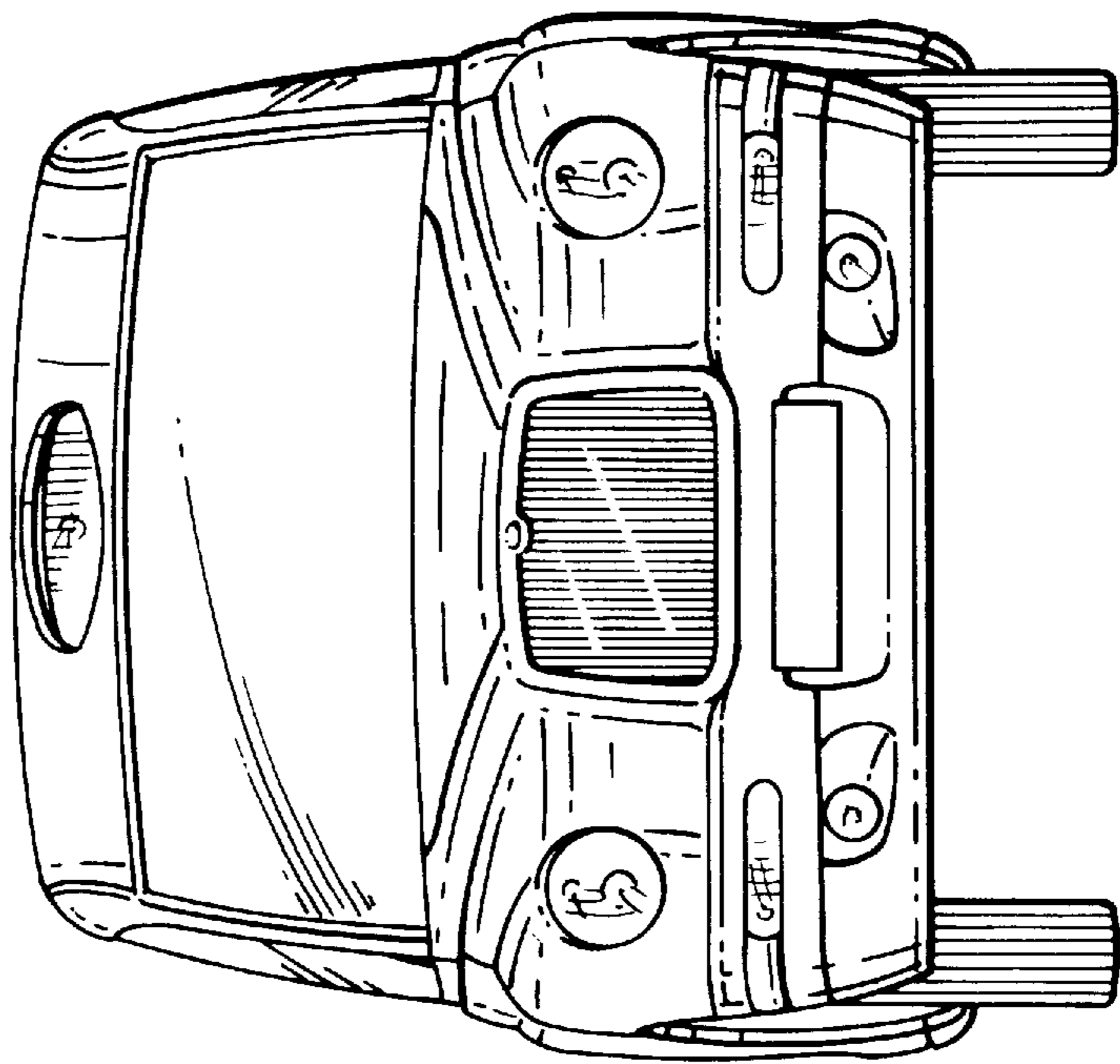


FIG. 5

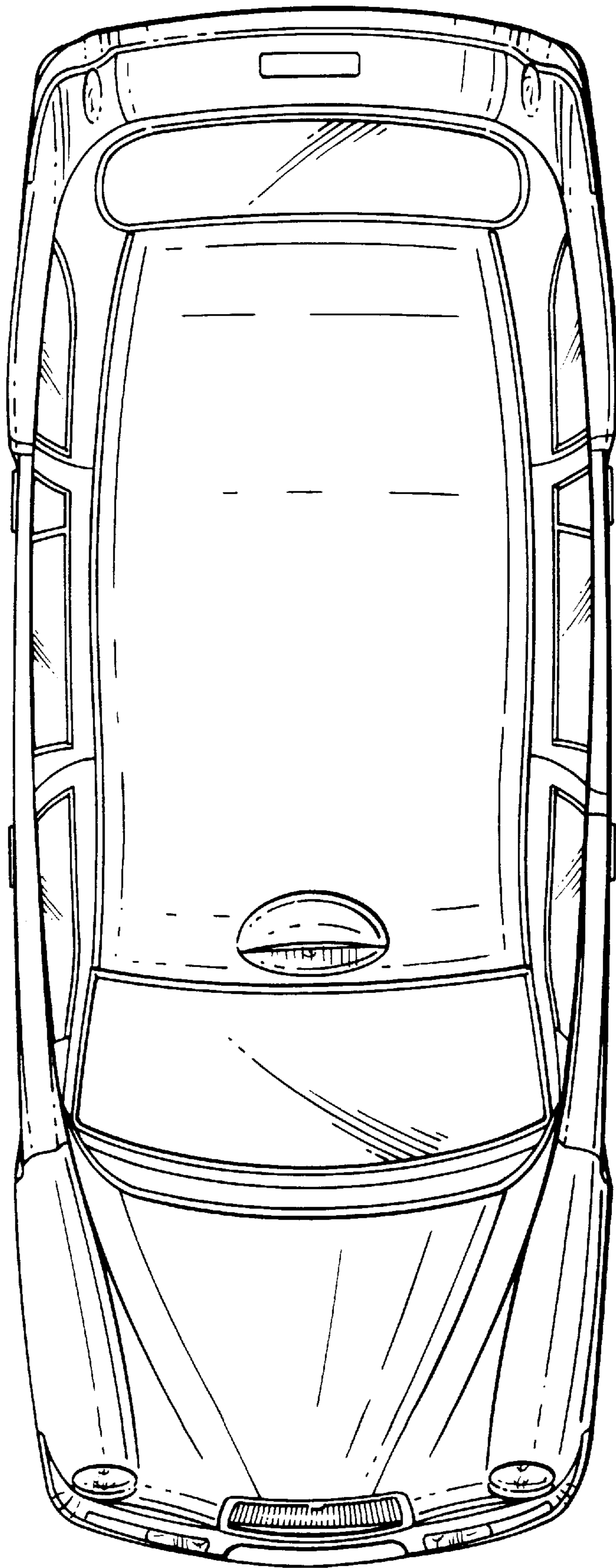


FIG. 6

