



US00D406539S

United States Patent [19]
O'Neil

[11] **Patent Number: Des. 406,539**

[45] **Date of Patent: **Mar. 9, 1999**

[54] **GROWTH MEASURING AND DISPLAY DEVICE**

DESCRIPTION

[76] Inventor: **Paul Steven O'Neil**, 5523 Waverly Ave., La Jolla, Calif. 92037

[**] Term: **14 Years**

[21] Appl. No.: **81,060**

[22] Filed: **Dec. 19, 1997**

[51] **LOC (6) Cl. 10-04**

[52] **U.S. Cl. D10/71**

[58] **Field of Search D15/70, 71; 33/483-495**

[56] **References Cited**

U.S. PATENT DOCUMENTS

D. 277,940	3/1985	Bergstedt et al.	D10/71
D. 279,358	6/1985	Lichtman	D10/71
D. 345,702	4/1994	Hilpmann	D10/71
D. 357,425	4/1995	Youdelman	D10/71
D. 390,871	1/1998	Whitney	D10/71

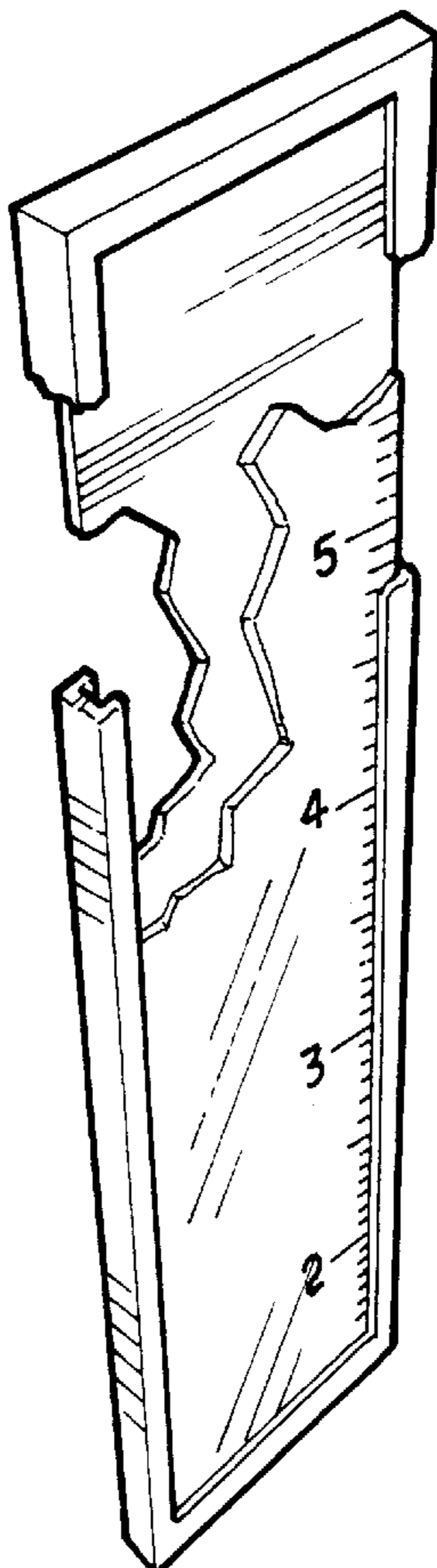
Primary Examiner—Antoine Duval Davis
Attorney, Agent, or Firm—Paul O'Neil

[57] **CLAIM**

The ornamental design for a growth measuring and display device, as shown and described.

FIG. 1 is a side perspective view of the first embodiment of the growth measuring and display device cutaway to show clearly the transparent front panel and back solid panel; FIG. 2 is a side elevation of the growth measuring and display device of FIG. 1, the opposite side being identical; FIG. 3 is a back view of the growth measuring and display device of FIG. 1; FIG. 4 is a front view of the growth measuring and display device of FIG. 1; FIG. 5 is a top plan view of the growth measuring and display device of FIG. 1; FIG. 6 is a bottom view of the growth measuring and display of FIG. 1; FIG. 7 is a side perspective view of the second embodiment of the growth measuring and display device cutaway to show clearly the transparent front panel and solid panel; FIG. 8 is a side elevational of the growth measuring and display device of FIG. 7, the opposite side being identical; FIG. 9 is a back view of the growth measuring and display device of FIG. 7; FIG. 10 is a front view of the growth measuring and display device of FIG. 7; FIG. 11 is a top plan view of the growth measuring and display device of FIG. 7 and, FIG. 12 is a top plan view of the growth measuring and display device of FIG. 7.

1 Claim, 2 Drawing Sheets



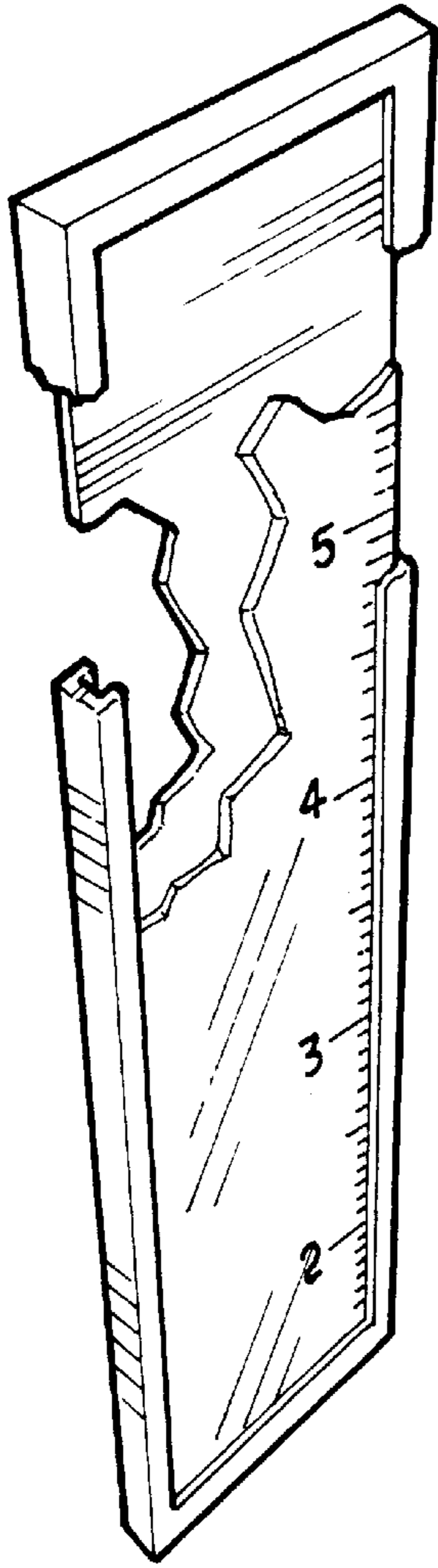


FIG. 1

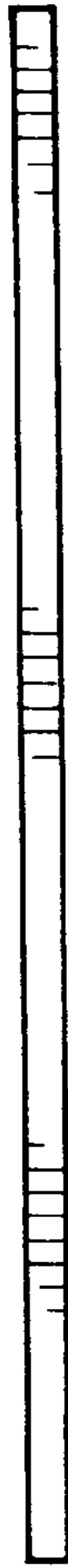


FIG. 2

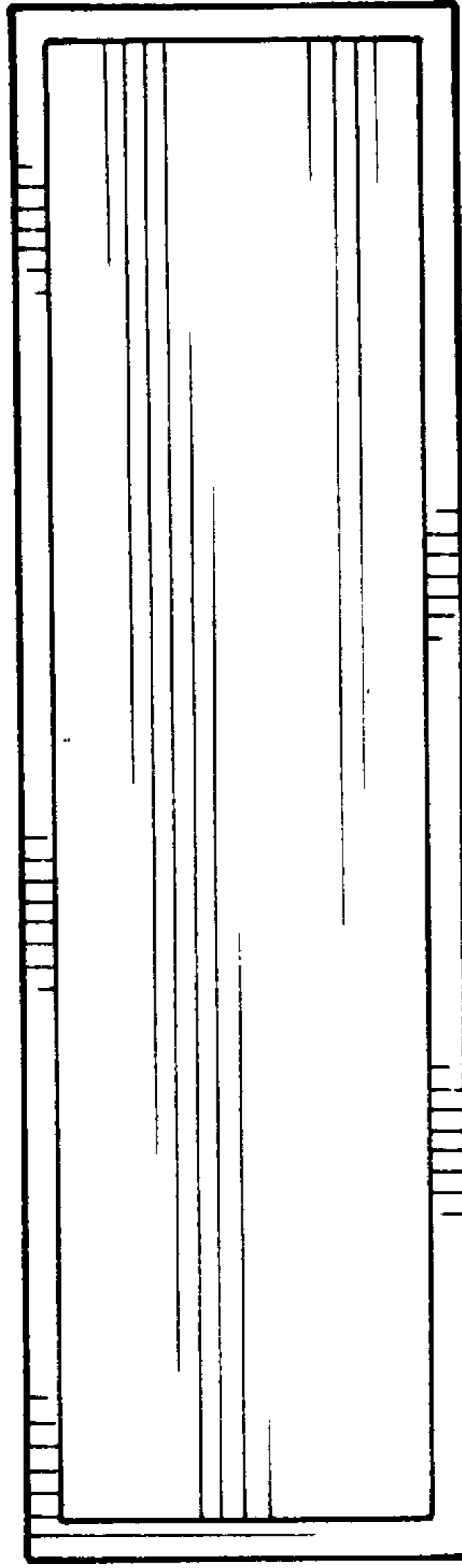


FIG. 3

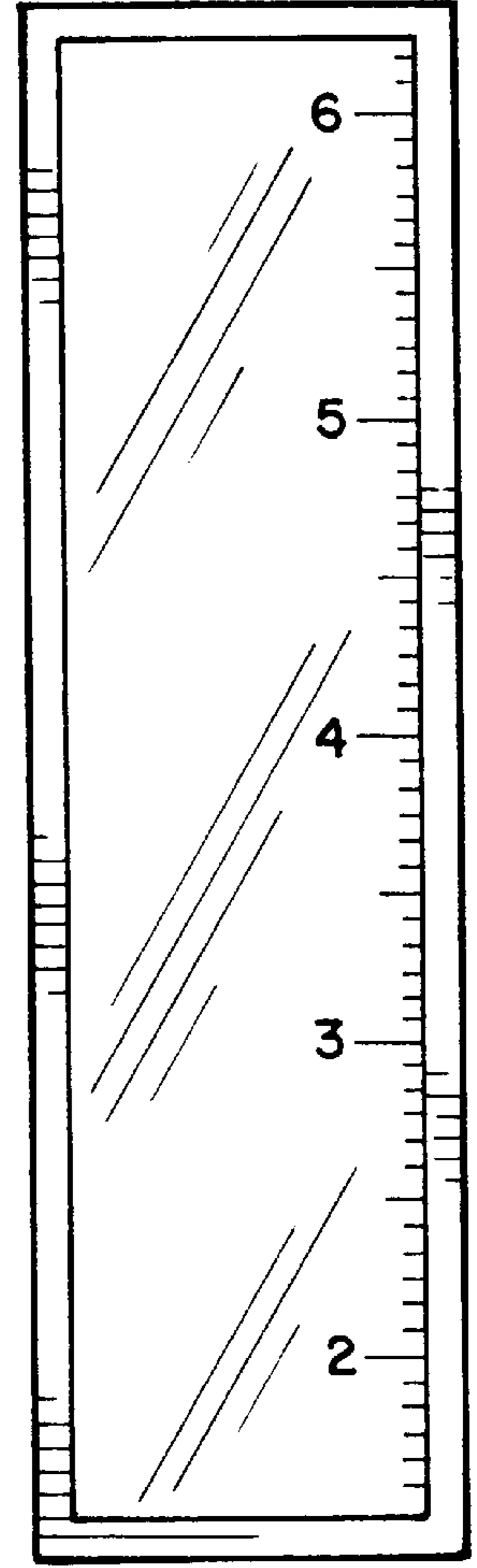


FIG. 4

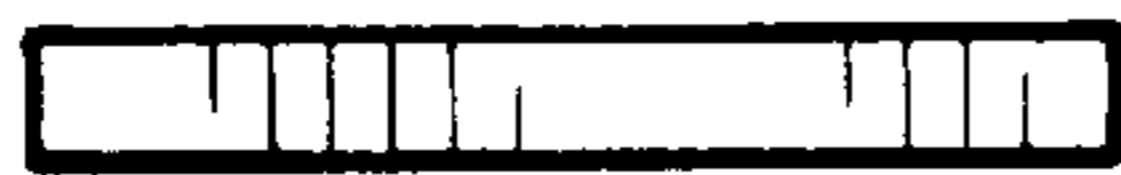


FIG. 5



FIG. 6

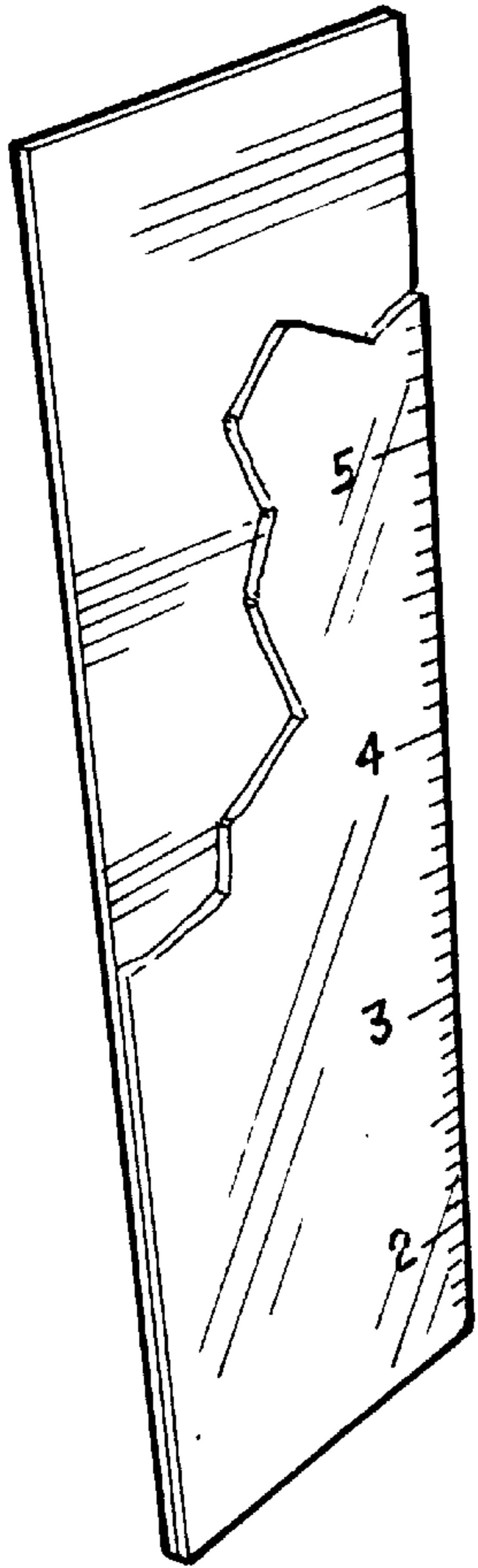


FIG. 7



FIG. 8

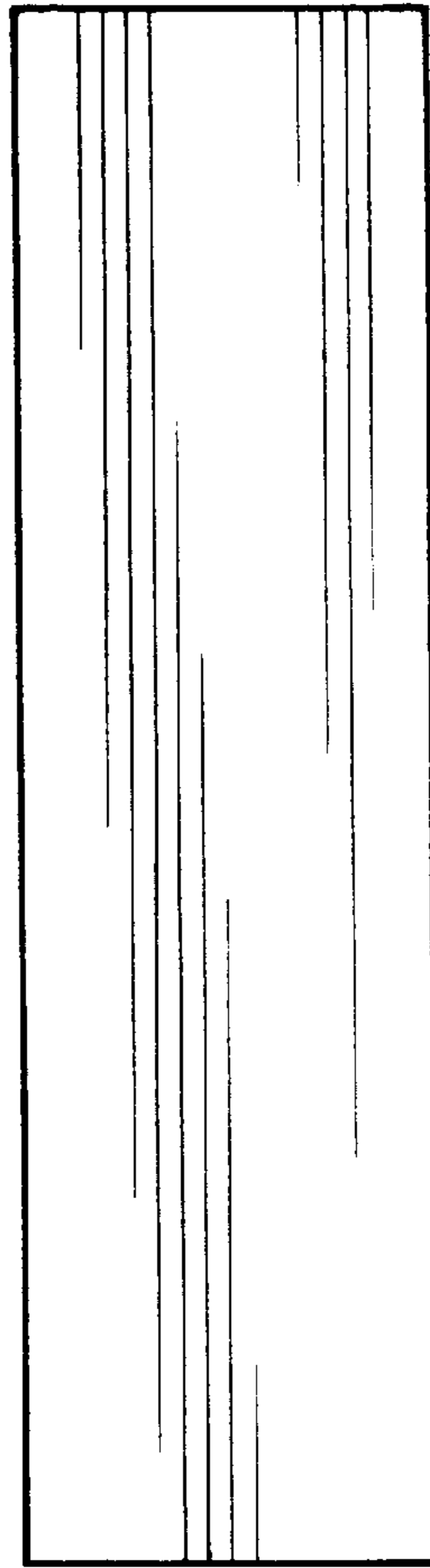


FIG. 9

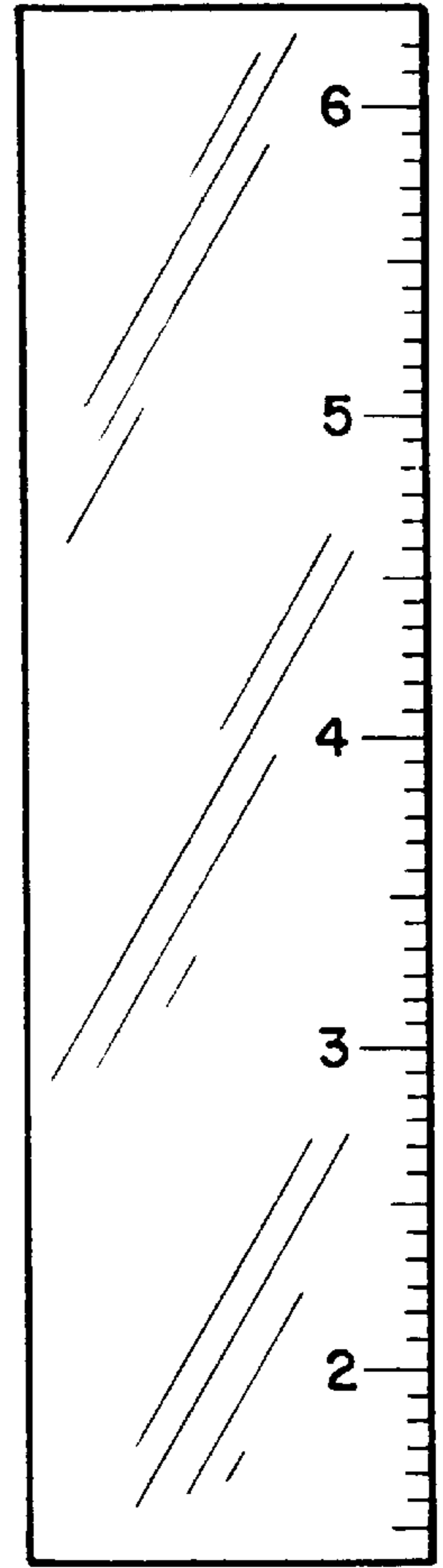


FIG. 10

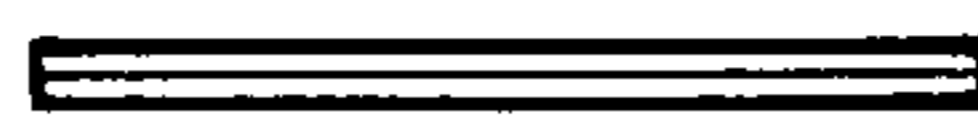


FIG. 11

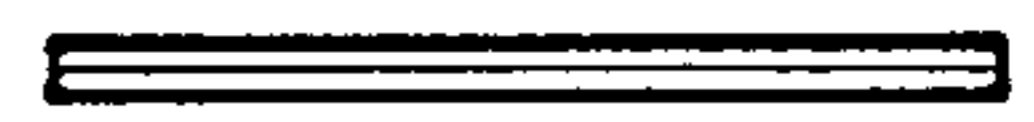


FIG. 12