



US00D406538S

United States Patent [19]
Cornell et al.

[11] **Patent Number: Des. 406,538**
[45] **Date of Patent: **Mar. 9, 1999**

[54] **RULER**

4,750,270 6/1988 Kundikoff .

[75] Inventors: **Robert W. Cornell**, Schofield; **David J. Fredel**, Wausau; **Joseph H. Jacobus**, Plover, all of Wis.

FOREIGN PATENT DOCUMENTS

31052 4/1885 Germany .

[73] Assignee: **Fiskars Inc.**, Madison, Wis.

Primary Examiner—Antoine Duval Davis
Attorney, Agent, or Firm—Foley & Lardner

[**] Term: **14 Years**

[57] **CLAIM**

The ornamental design for a ruler, as shown and described.

[21] Appl. No.: **61,720**

DESCRIPTION

[22] Filed: **Oct. 29, 1996**

[51] **LOC (6) Cl.** **10-04**

[52] **U.S. Cl.** **D10/71**

[58] **Field of Search** D10/71; D19/37;
33/484-493

FIG. 1 is a perspective view of a ruler showing our new design;

FIG. 2 is a top plan view thereof;

FIG. 3 is a front elevational view thereof;

FIG. 4 is a bottom plan view thereof, the bottom being unornamented;

FIG. 5 is an enlarged left side elevational view thereof, the right side being a mirror image thereof;

FIG. 6 is an enlarged sectional view taken along line 6—6 shown in FIG. 2;

FIG. 7 is a top plan view of a first modified embodiment thereof, the bottom having ornamented regions; and,

FIG. 8 is an enlarged sectional view taken along line 8—8 shown in FIG. 7.

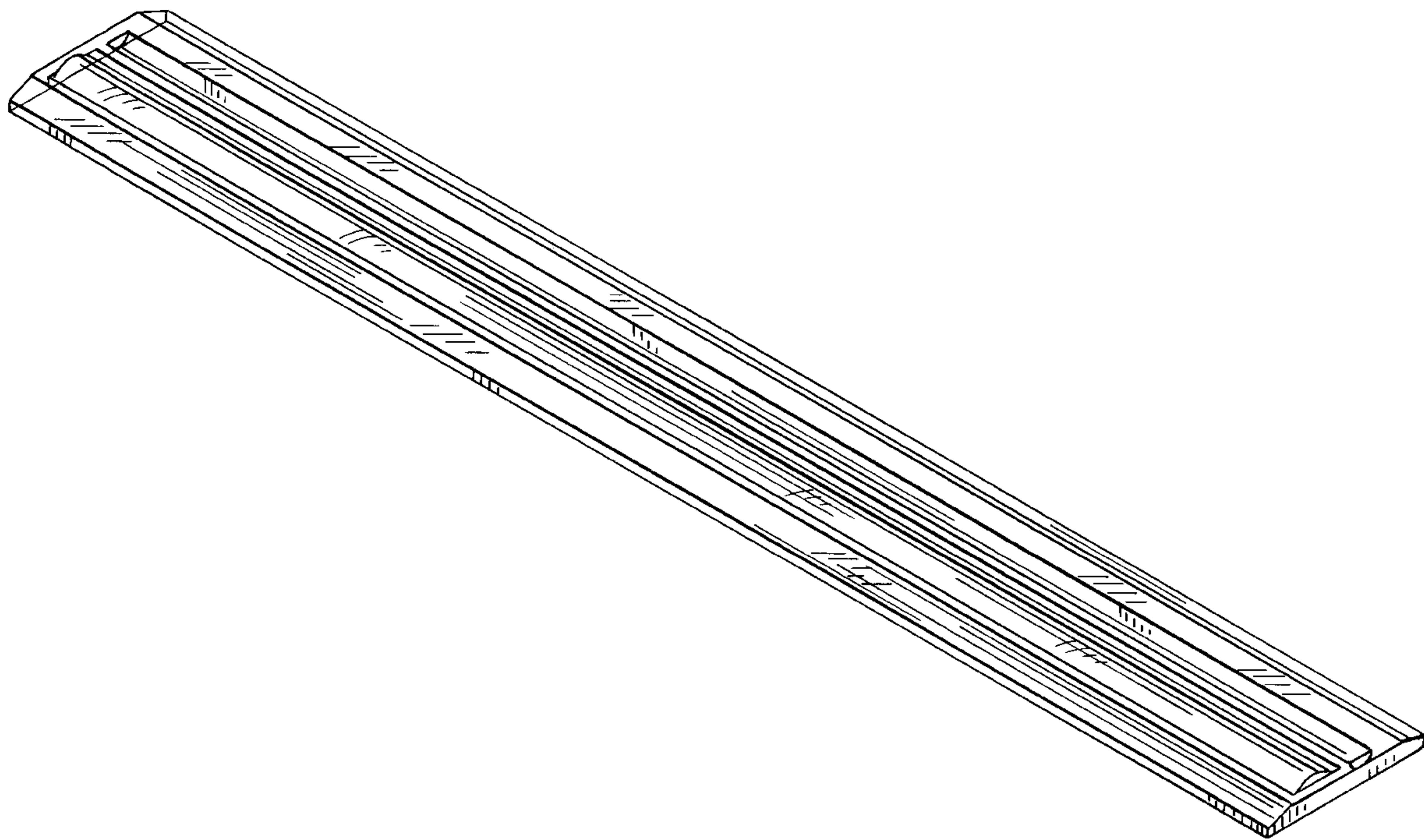
The broken line showing of the ruler measuring indicia is for illustrative purposes only and forms no part of the claimed design.

[56] **References Cited**

U.S. PATENT DOCUMENTS

D. 199,807	12/1964	Wilson .	
D. 283,986	5/1986	Sogorka .	
289,512	12/1883	Darling .	
D. 311,873	11/1990	Arend .	
317,188	5/1885	Pederson .	
D. 340,195	10/1993	Shapiro .	
D. 346,121	4/1994	Lapsker et al.	D10/71
D. 378,743	4/1997	McDonald et al.	D10/71
731,311	6/1903	Leavell .	
1,226,855	5/1917	Boynton .	
4,531,303	7/1985	Jones .	
4,641,436	2/1987	Tzen et al. .	

1 Claim, 2 Drawing Sheets



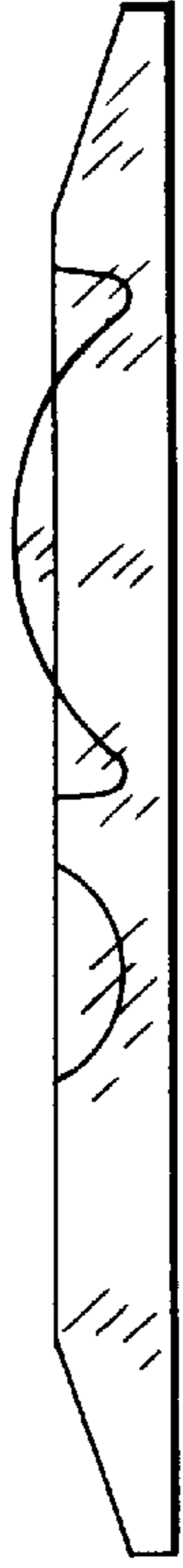


FIG. 5



FIG. 6

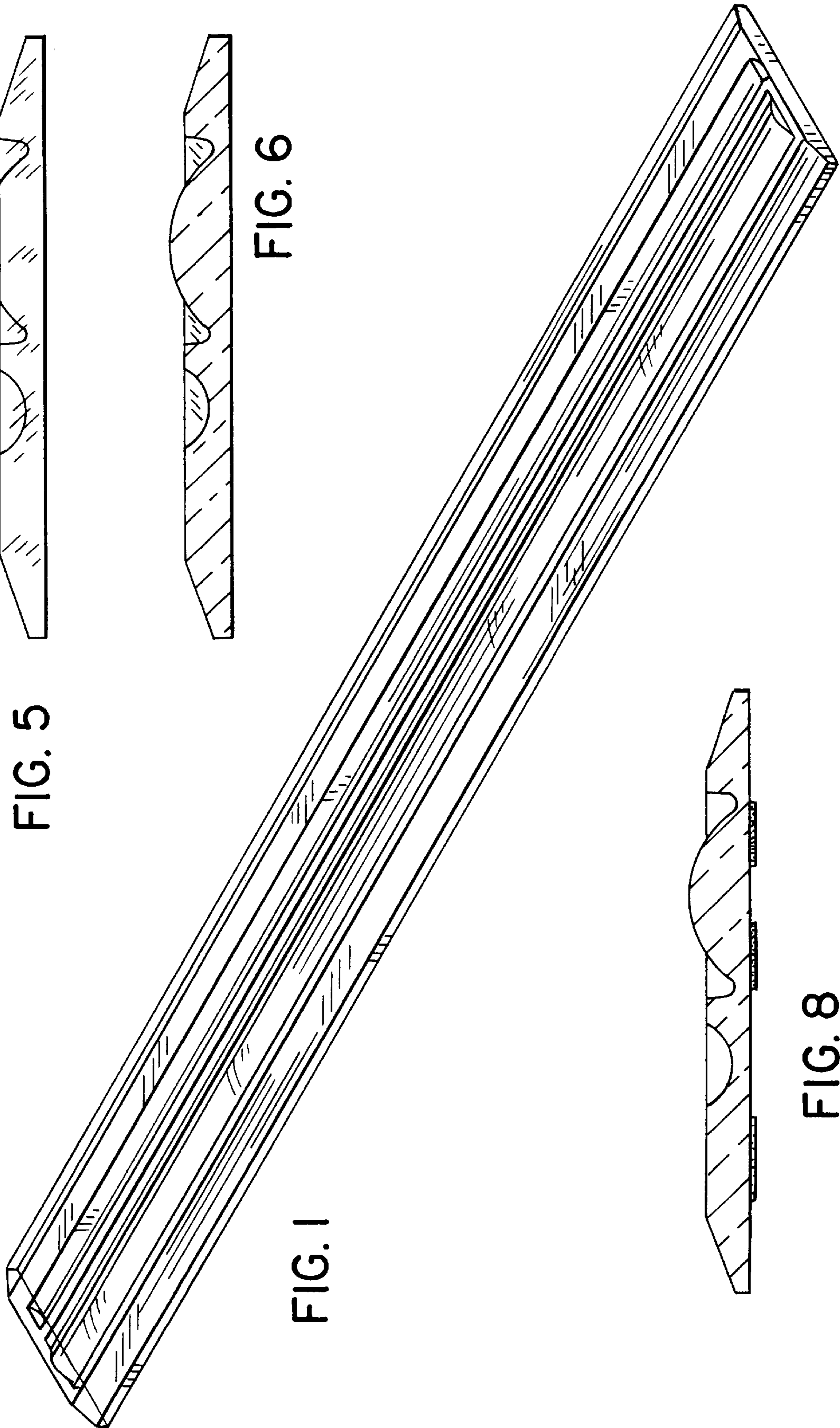


FIG. 1



FIG. 8

FIG. 2

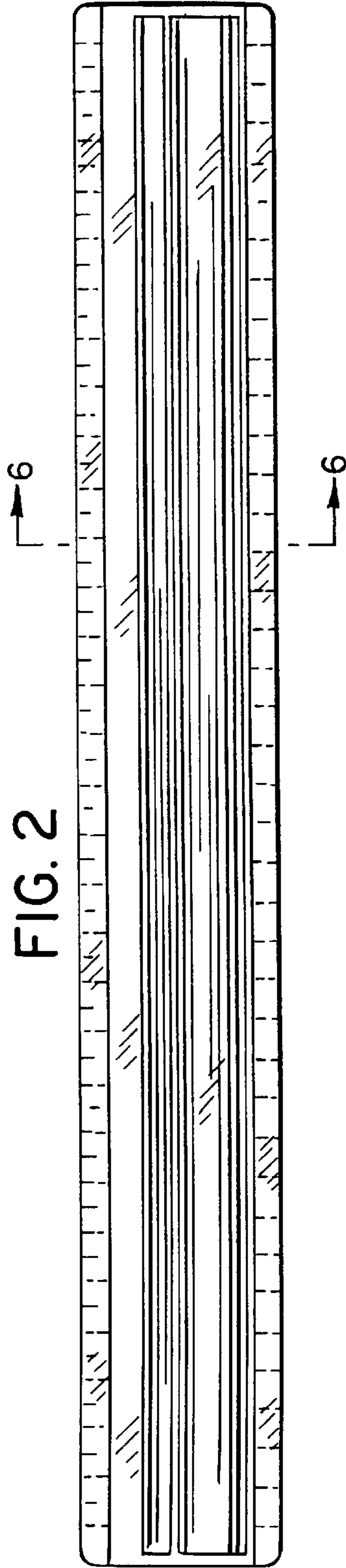


FIG. 3



FIG. 4

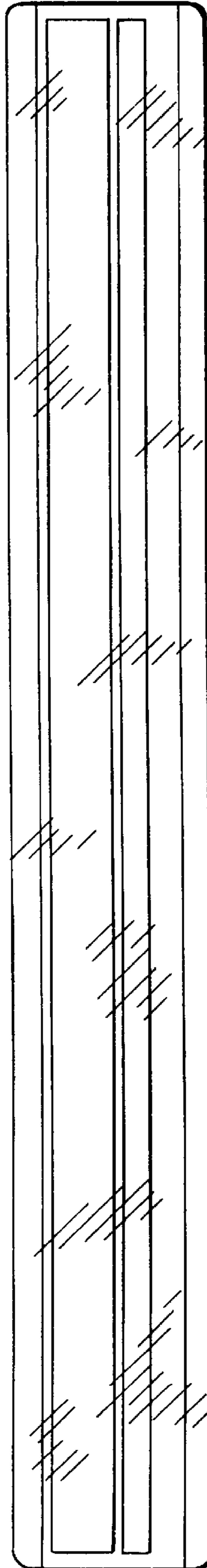


FIG. 7

