



US00D406537S

United States Patent [19]
Sharp

[11] **Patent Number: Des. 406,537**

[45] **Date of Patent: **Mar. 9, 1999**

[54] **DRYWALL CUTTING GUIDE**

[76] Inventor: **Merle L Sharp**, 1221 Hunter Ct.,
Longmont, Colo. 80501

[**] Term: **14 Years**

[21] Appl. No.: **84,576**

[22] Filed: **Mar. 5, 1998**

[51] **LOC (6) Cl.** **10-04**

[52] **U.S. Cl.** **D10/65**

[58] **Field of Search** D8/70; D10/64,
D10/65; 33/533, 42, 1 B, 566, 528, DIG. 10

[56] **References Cited**

U.S. PATENT DOCUMENTS

D. 337,729 7/1993 Ledbetter D10/64
5,758,430 6/1998 Holloway 33/528

Primary Examiner—Antoine Duval Davis

[57] **CLAIM**

The ornamental design for a drywall cutting guide, as shown.

DESCRIPTION

FIG. 1 is a top plan view of the drywall cutting guide of the present invention;

FIG. 2 is a top plan view of a left-handed drywall cutting guide of the present invention;

FIG. 3 is a bottom plan view of the left-handed drywall cutting guide of FIG. 2;

FIG. 4 is a bottom plan view of the drywall cutting guide of FIG. 1;

FIG. 5 is a left side elevational view of the drywall cutting guide of FIG. 1;

FIG. 6 is a right side elevational view of the drywall cutting guide of FIG. 1;

FIG. 7 is a right side elevational view of the left-handed drywall cutting guide of FIG. 2;

FIG. 8 is a left side elevational view of the left-handed drywall cutting guide of FIG. 2;

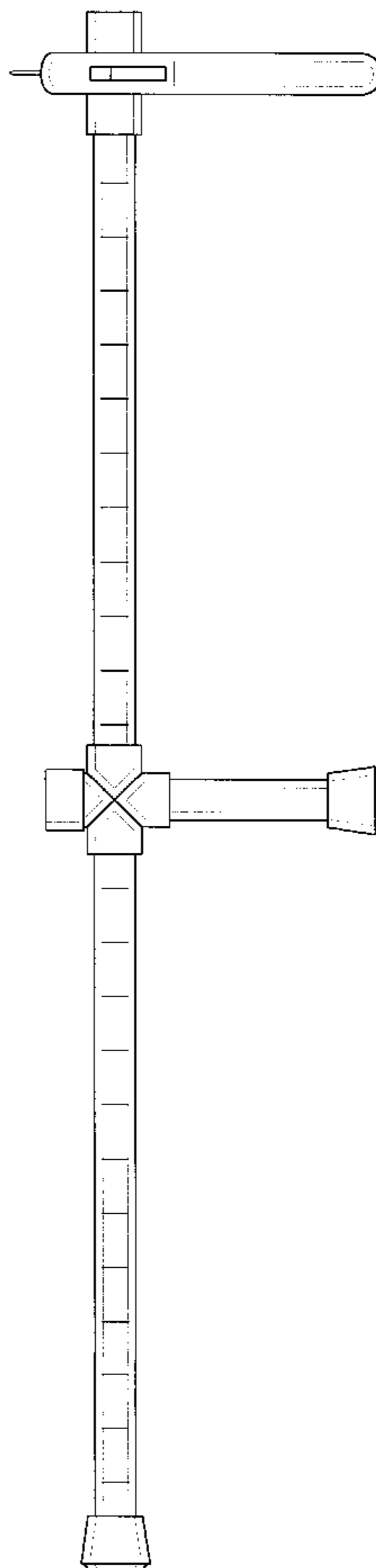
FIG. 9 is a front elevational view of the drywall cutting guide of FIG. 1;

FIG. 10 is a front elevational view of the left-handed drywall cutting guide of FIG. 2;

FIG. 11 is a back elevational view of the drywall cutting guide of FIG. 1; and,

FIG. 12 is a back elevational view of the left-handed drywall cutting guide of FIG. 2.

1 Claim, 5 Drawing Sheets



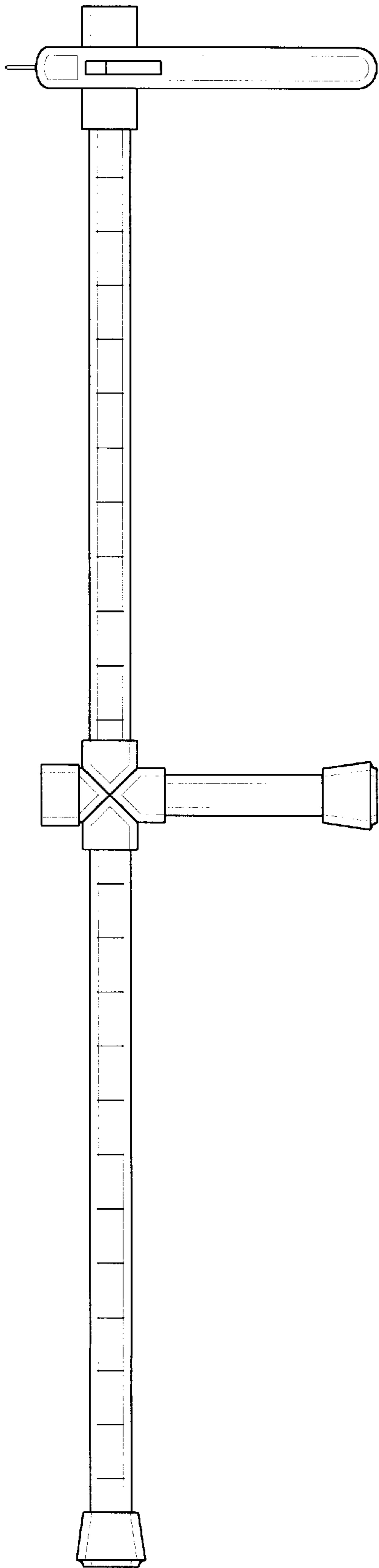


Fig. 1

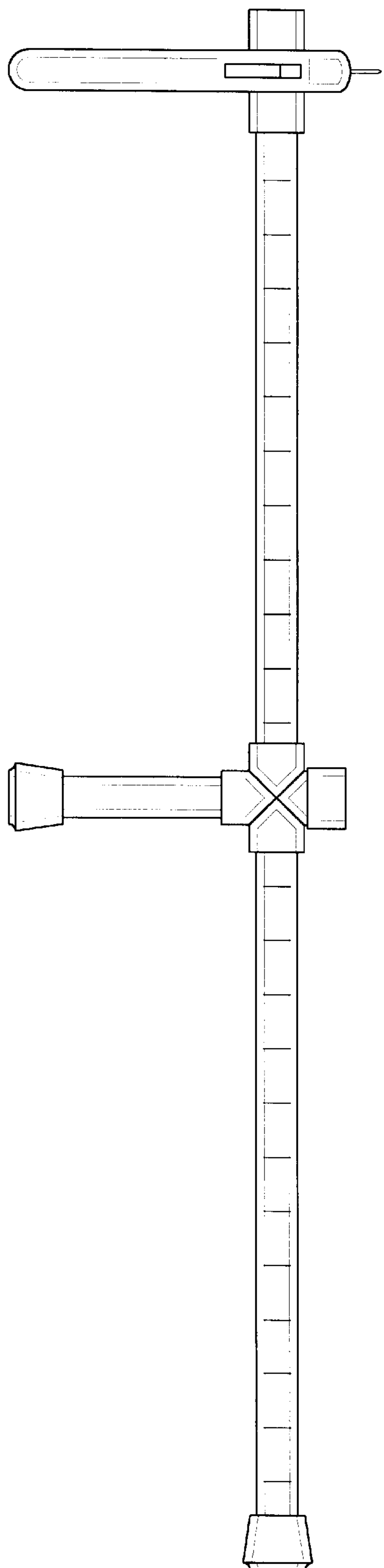


Fig. 2

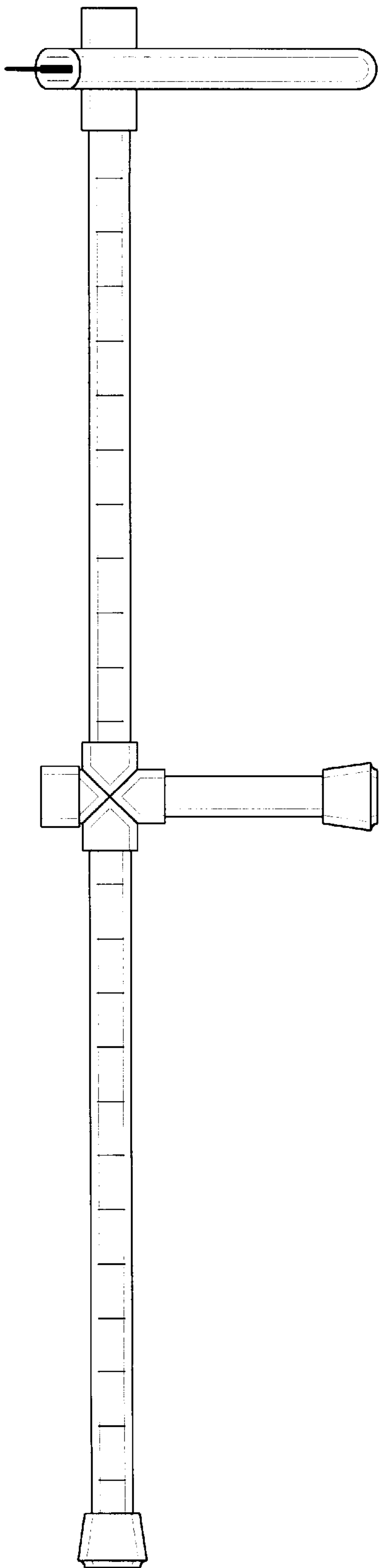


Fig. 3

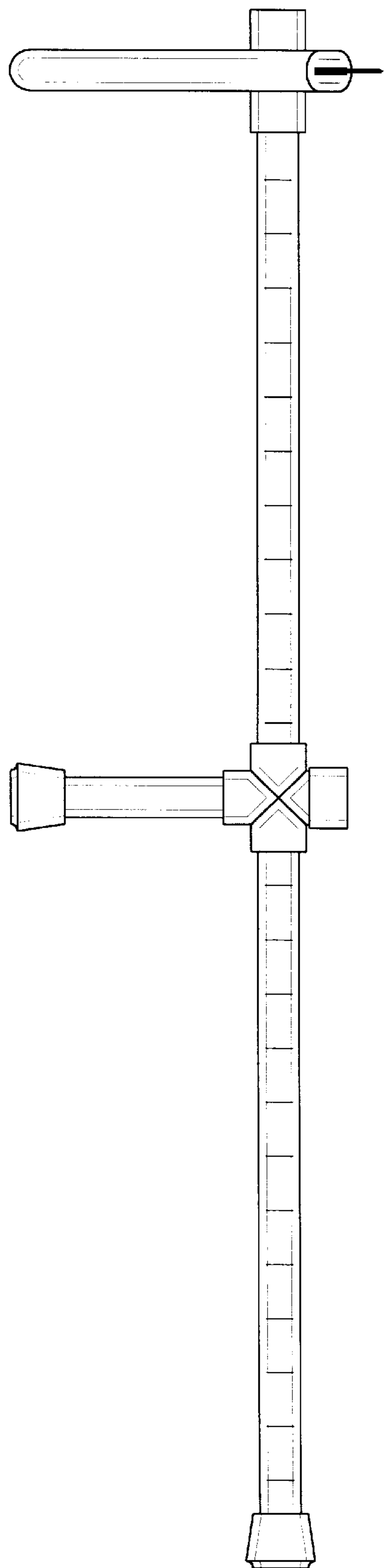


Fig. 4

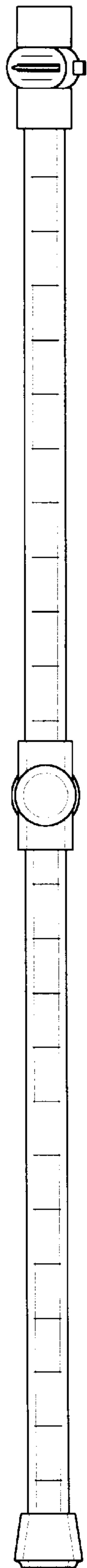


Fig. 5

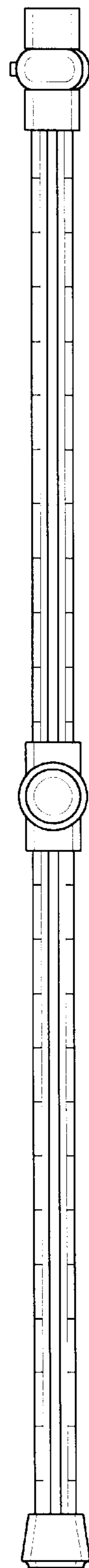


Fig. 6

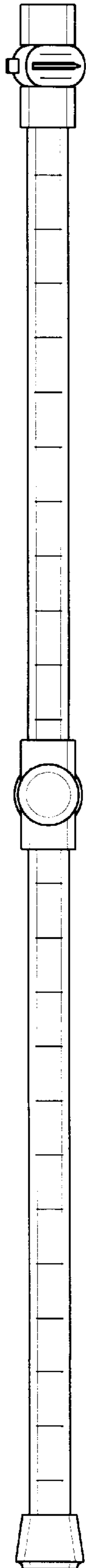


Fig. 7

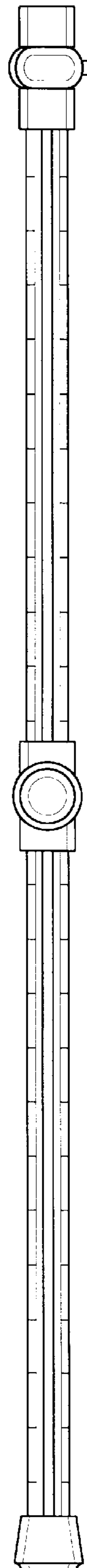


Fig. 8

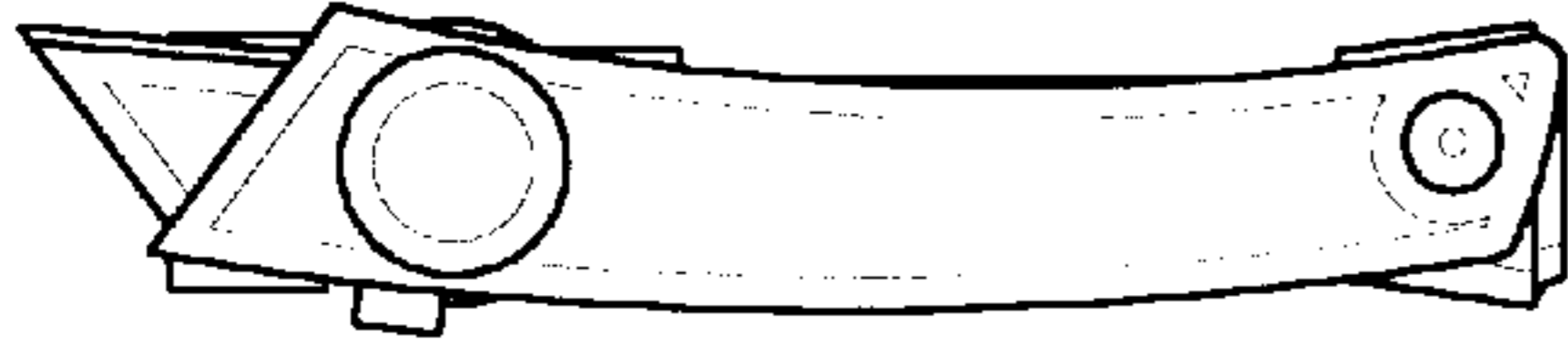


Fig. 9

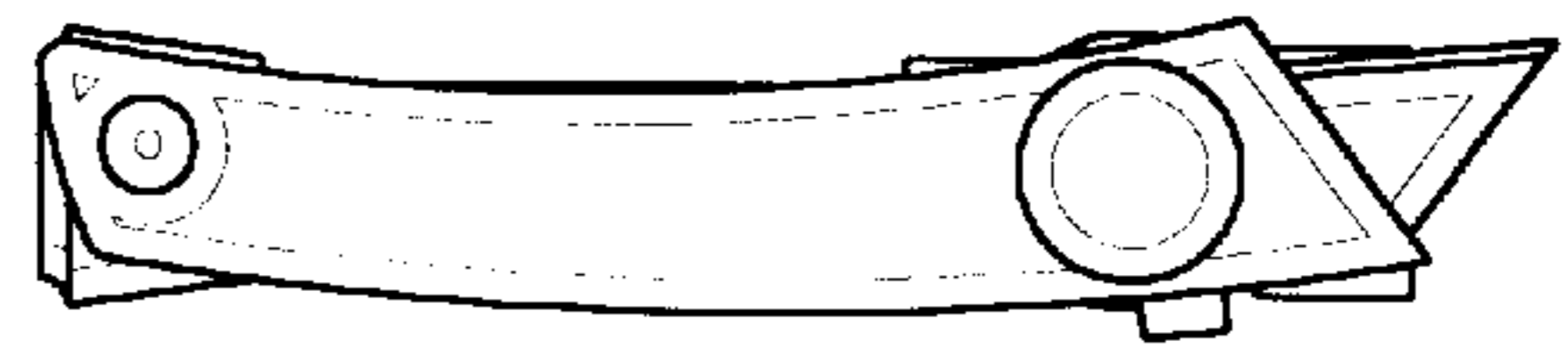


Fig. 10

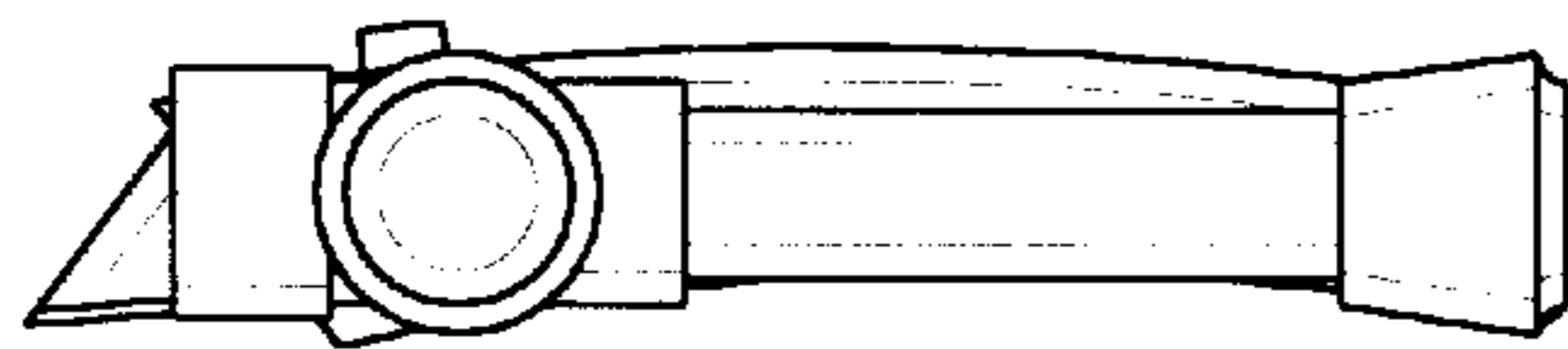


Fig. 11

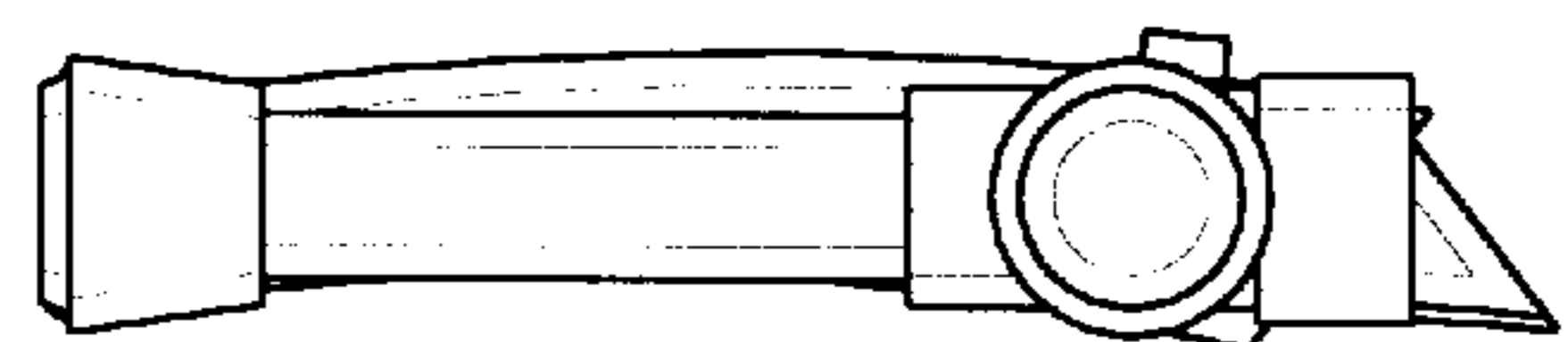


Fig. 12