



US00D406536S

United States Patent [19]

[11] **Patent Number: Des. 406,536**

Huang et al.

[45] **Date of Patent: **Mar. 9, 1999**

[54] **END-OF-LIFE INDICATOR FOR A WATER TREATMENT DEVICE**

[75] Inventors: **Alexander Huang**, Menlo Park; **Richard Fayram**, Palo Alto; **John Stiggelbout**, Sausalito, all of Calif.

[73] Assignee: **The Clorox Company**, Oakland, Calif.

[**] Term: **14 Years**

[21] Appl. No.: **84,531**

[22] Filed: **Feb. 23, 1998**

Related U.S. Application Data

[63] Continuation-in-part of Ser. No. 70,325, May 6, 1997, Pat. No. Des. 399,141.

[51] **LOC (6) Cl.** **10-04**

[52] **U.S. Cl.** **D10/46; D10/96; D10/103**

[58] **Field of Search** D10/46, 96, 103; 73/861.78; 210/87, 188, 232, 282, 288, 292, 289, 440, 441, 444

References Cited

U.S. PATENT DOCUMENTS

D. 348,017	6/1994	Poleshuk et al.	D10/99
4,895,648	1/1990	Hankammer	210/188
4,969,996	11/1990	Hankammer	210/282
5,128,034	7/1992	Koll	210/232
5,536,394	7/1996	Land et al.	210/87
5,540,107	7/1996	Silverman et al.	73/861.78
5,676,824	10/1997	Jeon et al.	210/87 X

Primary Examiner—Antoine Duval Davis
Attorney, Agent, or Firm—Francis Law Group

CLAIM

The ornamental design for an end-of-life indicator for a water treatment device, as shown and described.

DESCRIPTION

FIG. 1 is a perspective view of the end-of-life indicator for a water treatment device showing a first embodiment of our new design;

FIG. 2 is a top plan view thereof;

FIG. 3 is a front elevational view thereof;

FIG. 4 is a left side elevational view thereof;

FIG. 5 is a right side elevational view thereof;

FIG. 6 is a rear elevational view thereof;

FIG. 7 is a bottom plan view thereof;

FIG. 8 is a perspective view of the end-of-life indicator for a water treatment device showing a second embodiment of our new design;

FIG. 9 is a top plan view of said second embodiment;

FIG. 10 is a front elevational view of said second embodiment;

FIG. 11 is a left side elevational view of said second embodiment;

FIG. 12 is a right side elevational view of said second embodiment;

FIG. 13 is a rear elevational view of said second embodiment;

FIG. 14 is a bottom plan view of said second embodiment;

FIG. 15 is a perspective view of the end-of-life indicator for a water treatment device showing a third embodiment of our new design;

FIG. 16 is a top plan view of said third embodiment;

FIG. 17 is a front elevational view of said third embodiment;

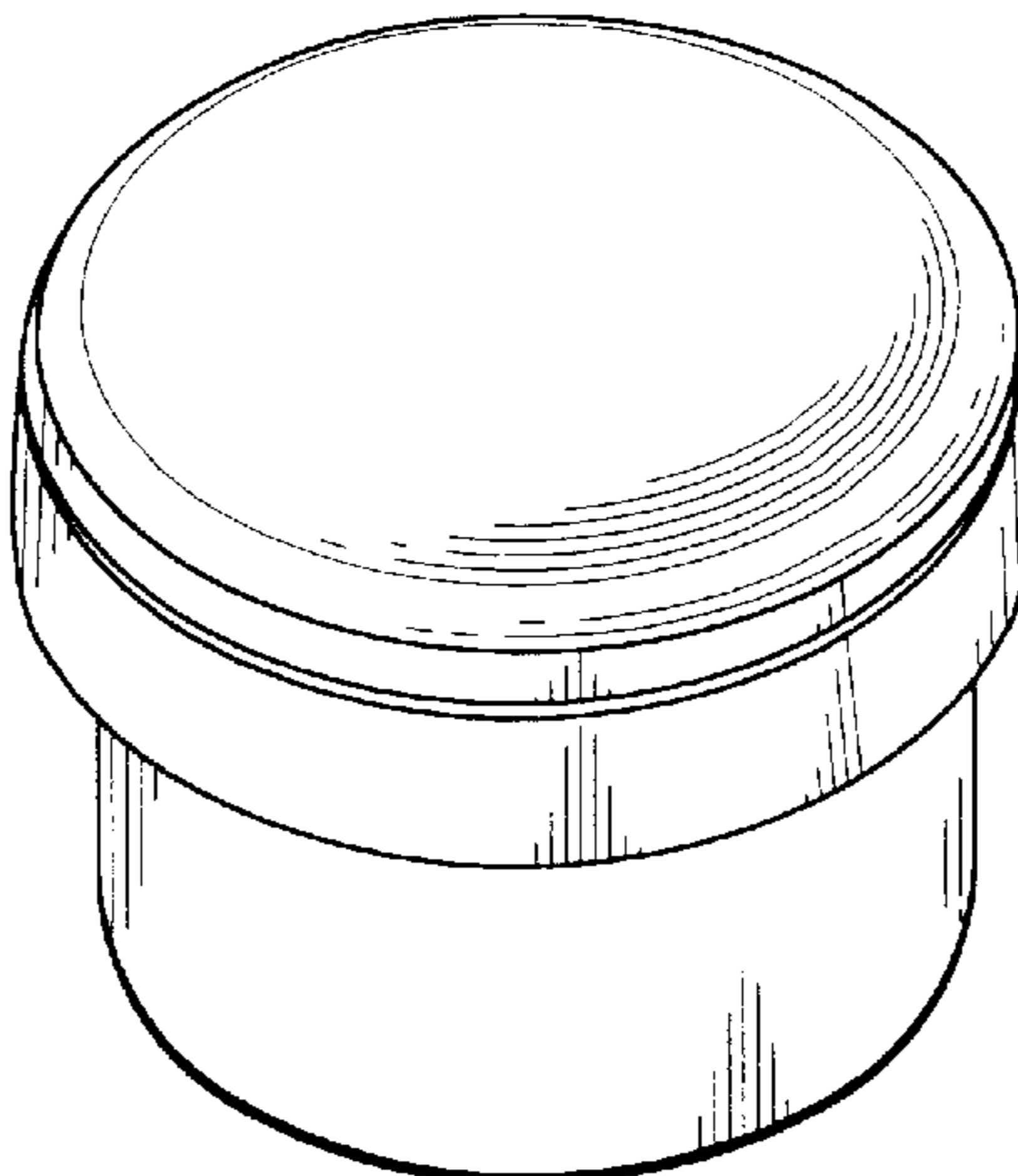
FIG. 18 is a left side elevational view of said third embodiment;

FIG. 19 is a right side elevational view of said third embodiment;

FIG. 20 is a rear elevational view of said third embodiment; and,

FIG. 21 is a bottom plan view of said third embodiment.

1 Claim, 3 Drawing Sheets



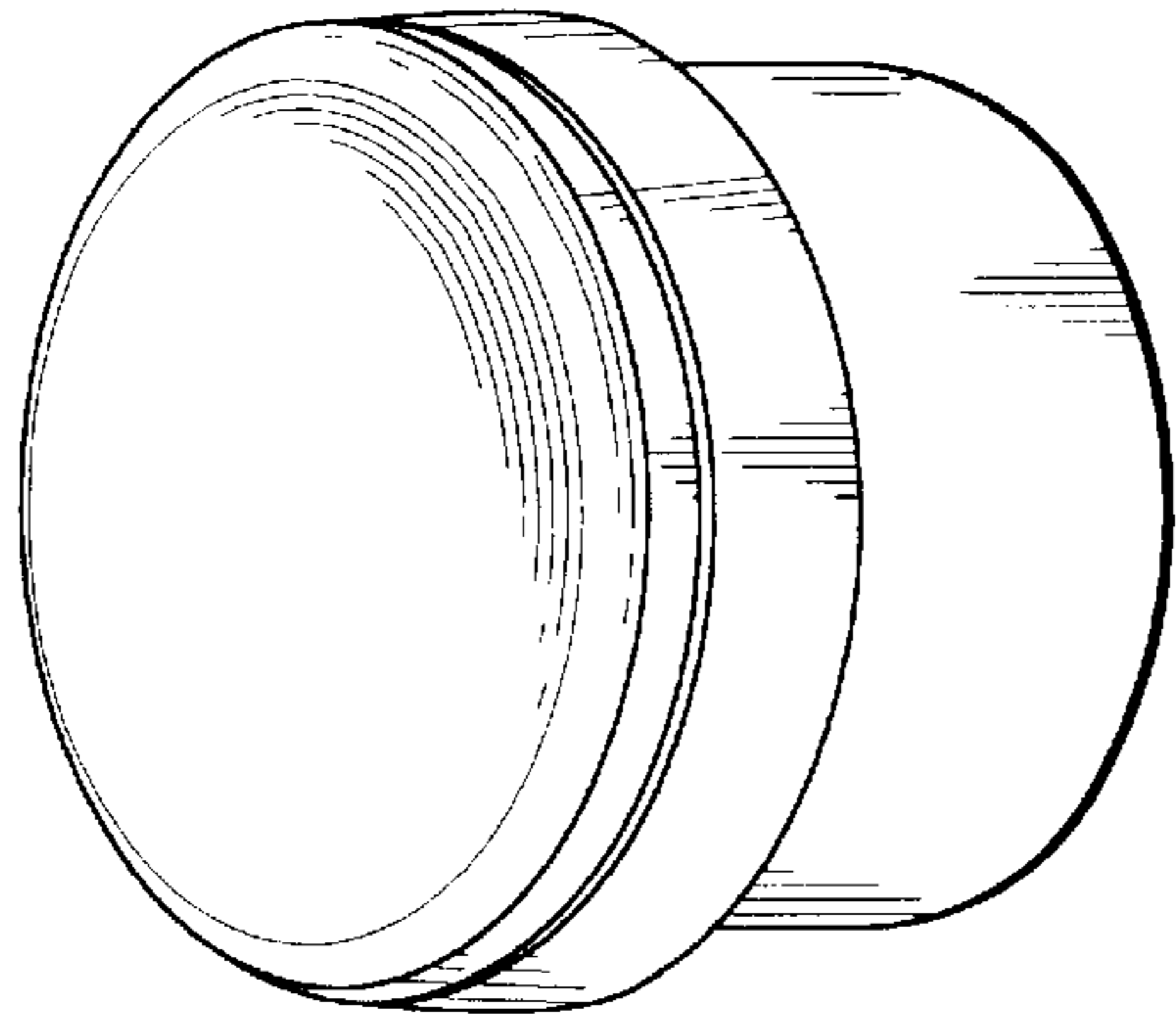


FIG. -1

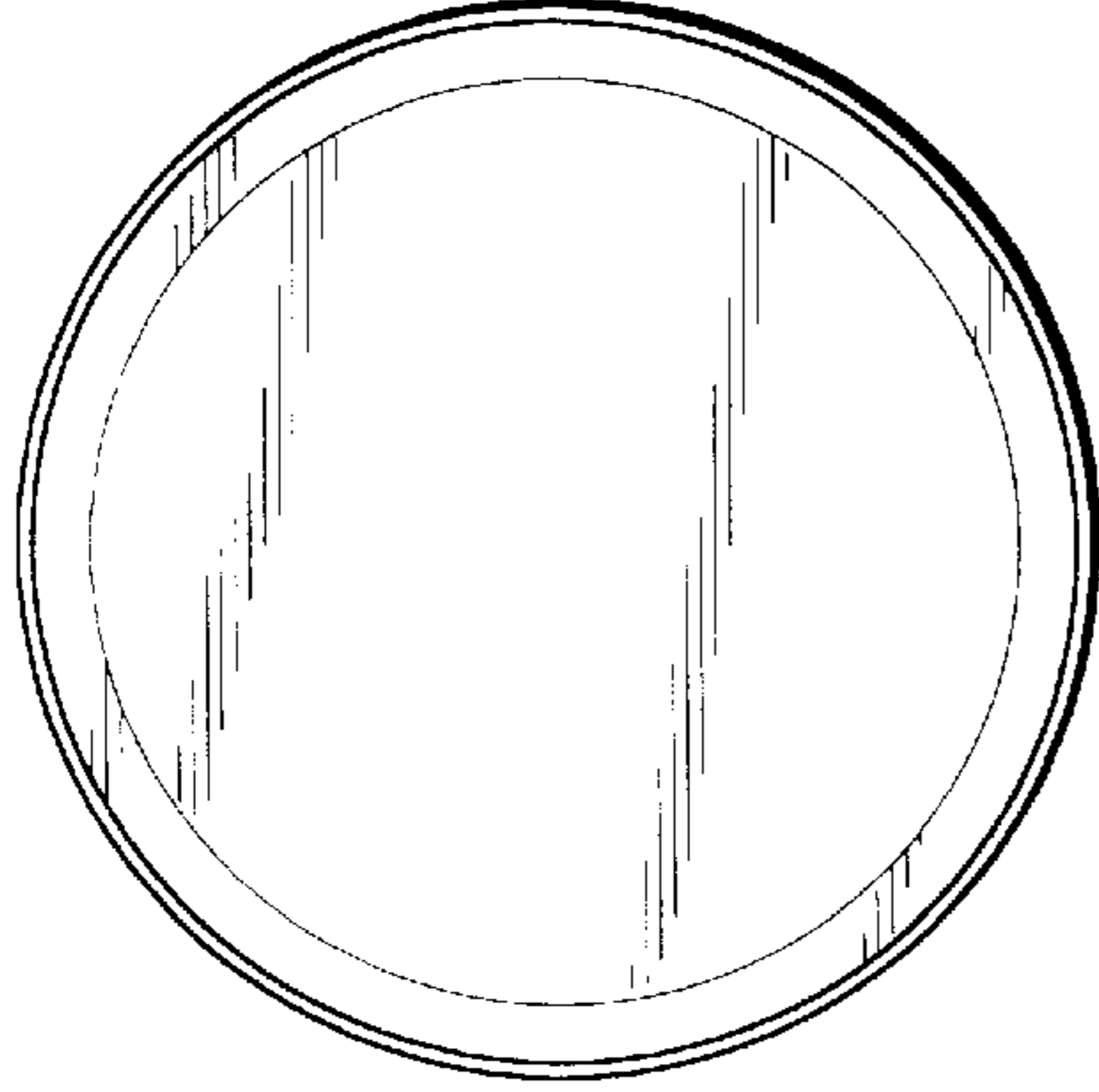


FIG. -2

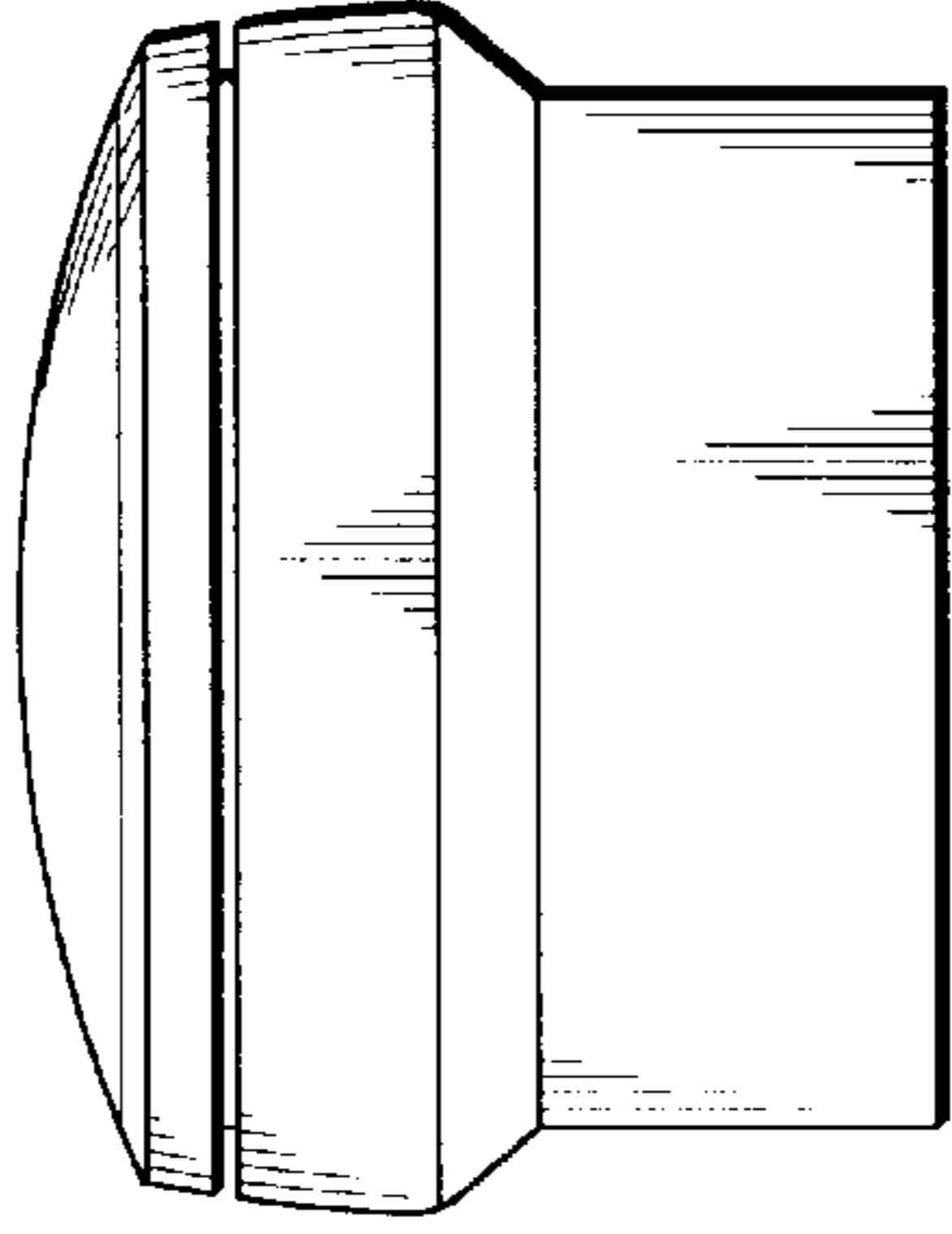


FIG. -3

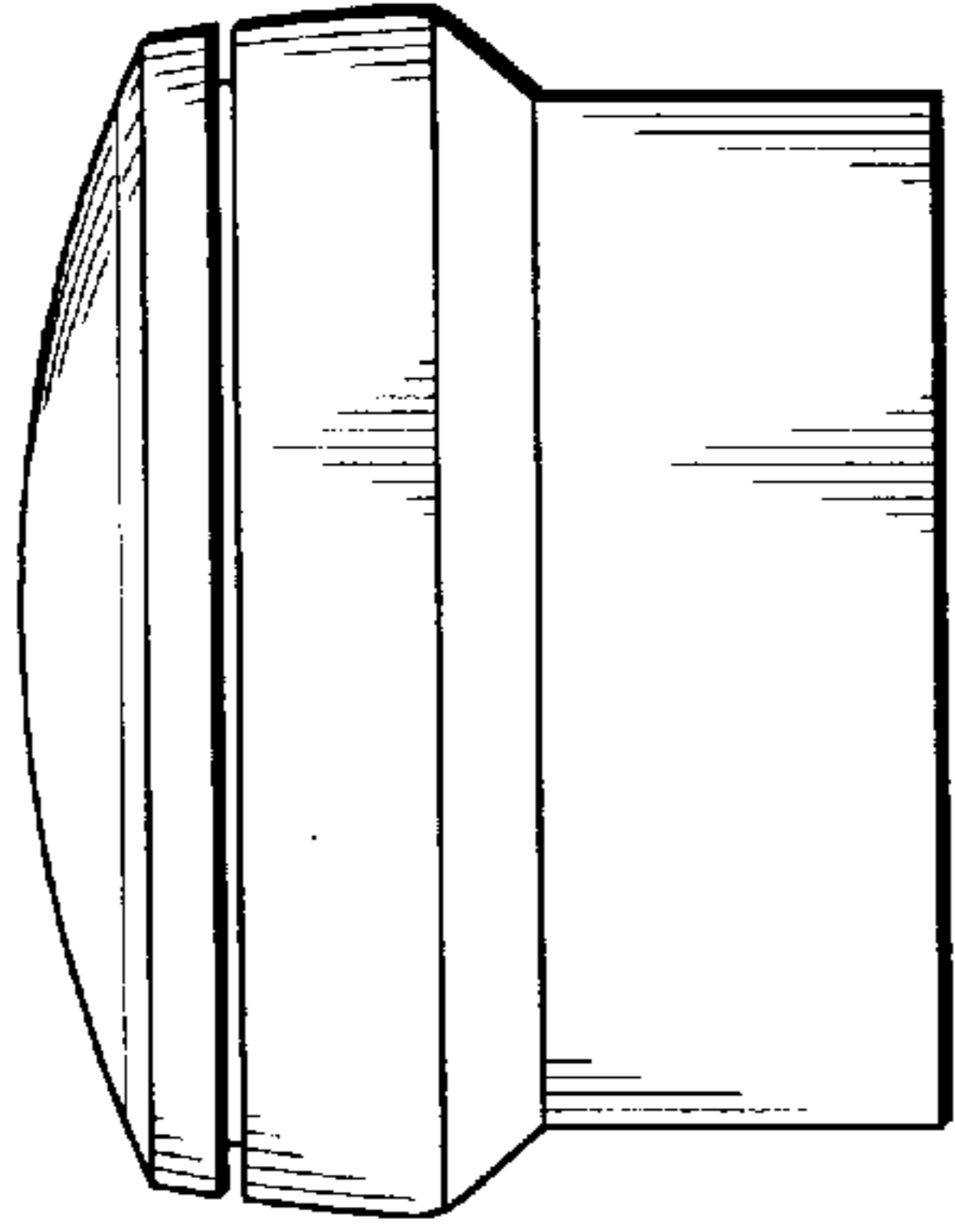


FIG. -4

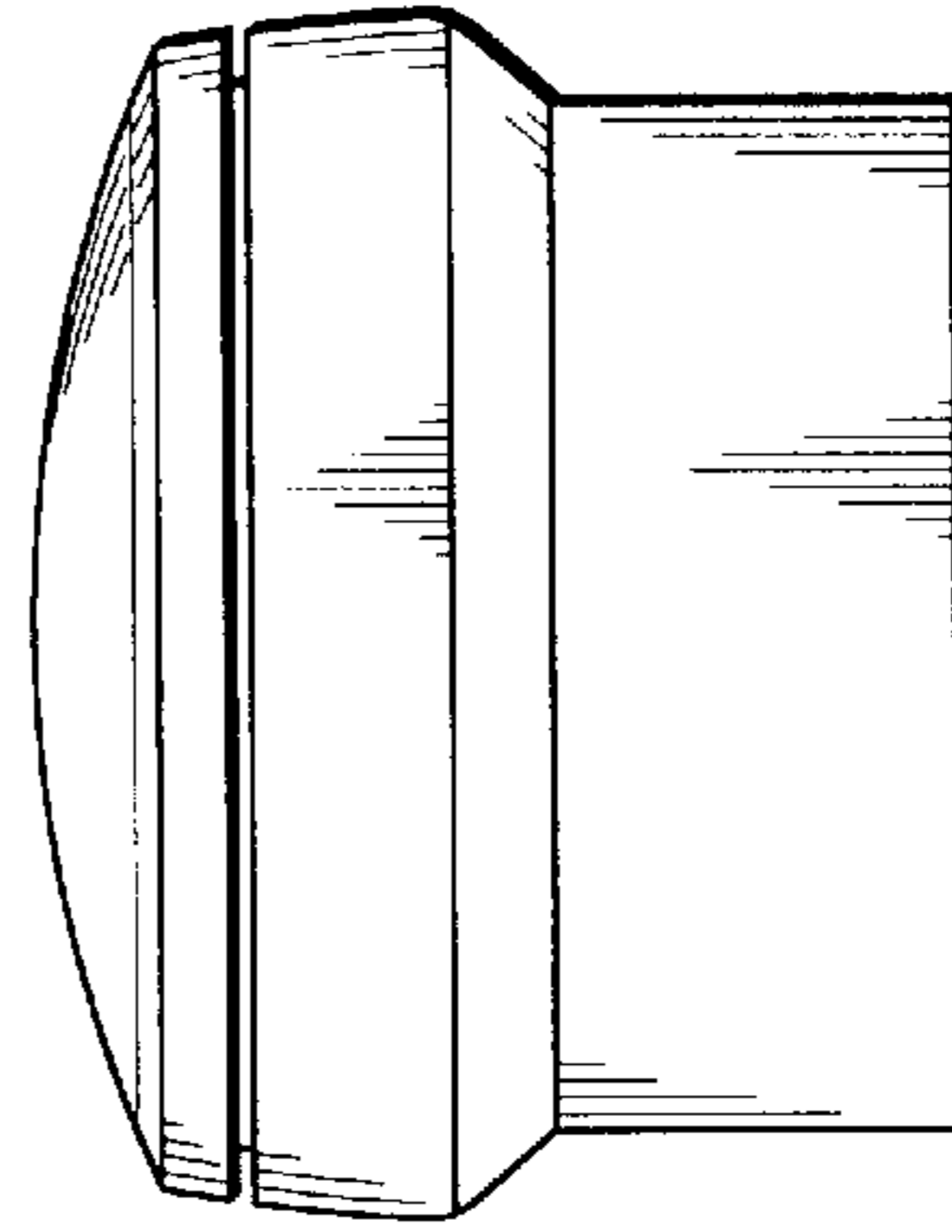


FIG. -5

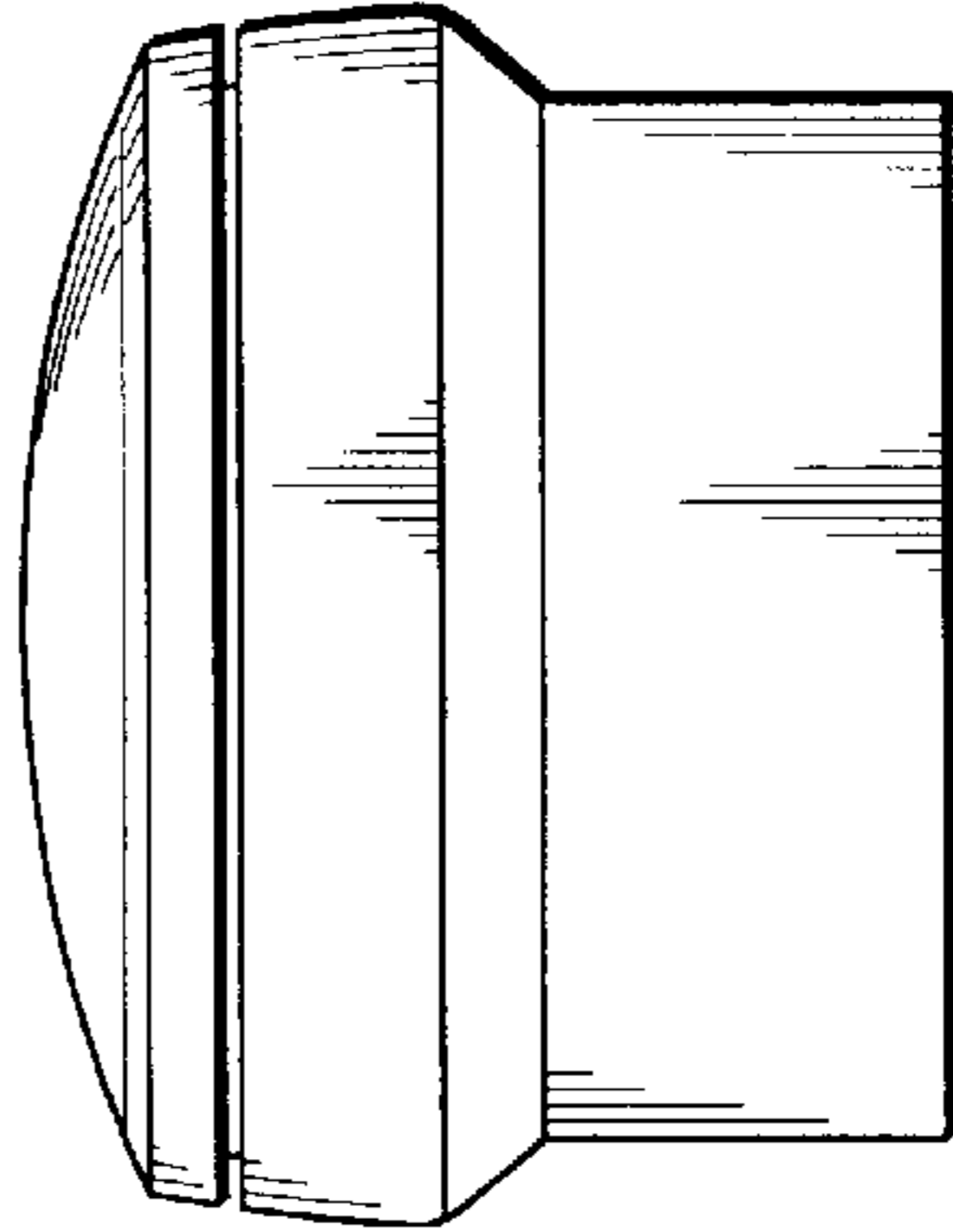


FIG. -6

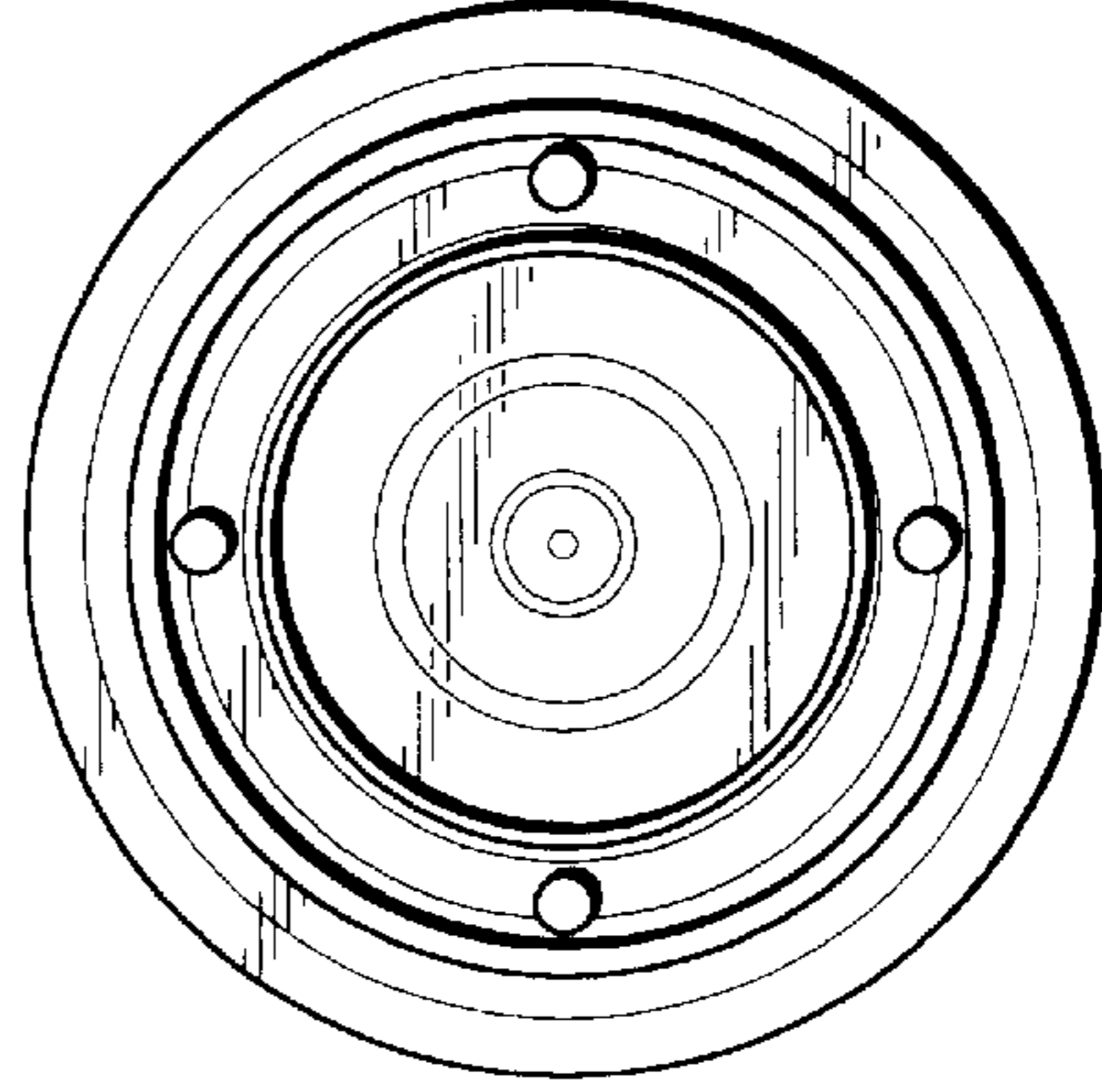


FIG. -7

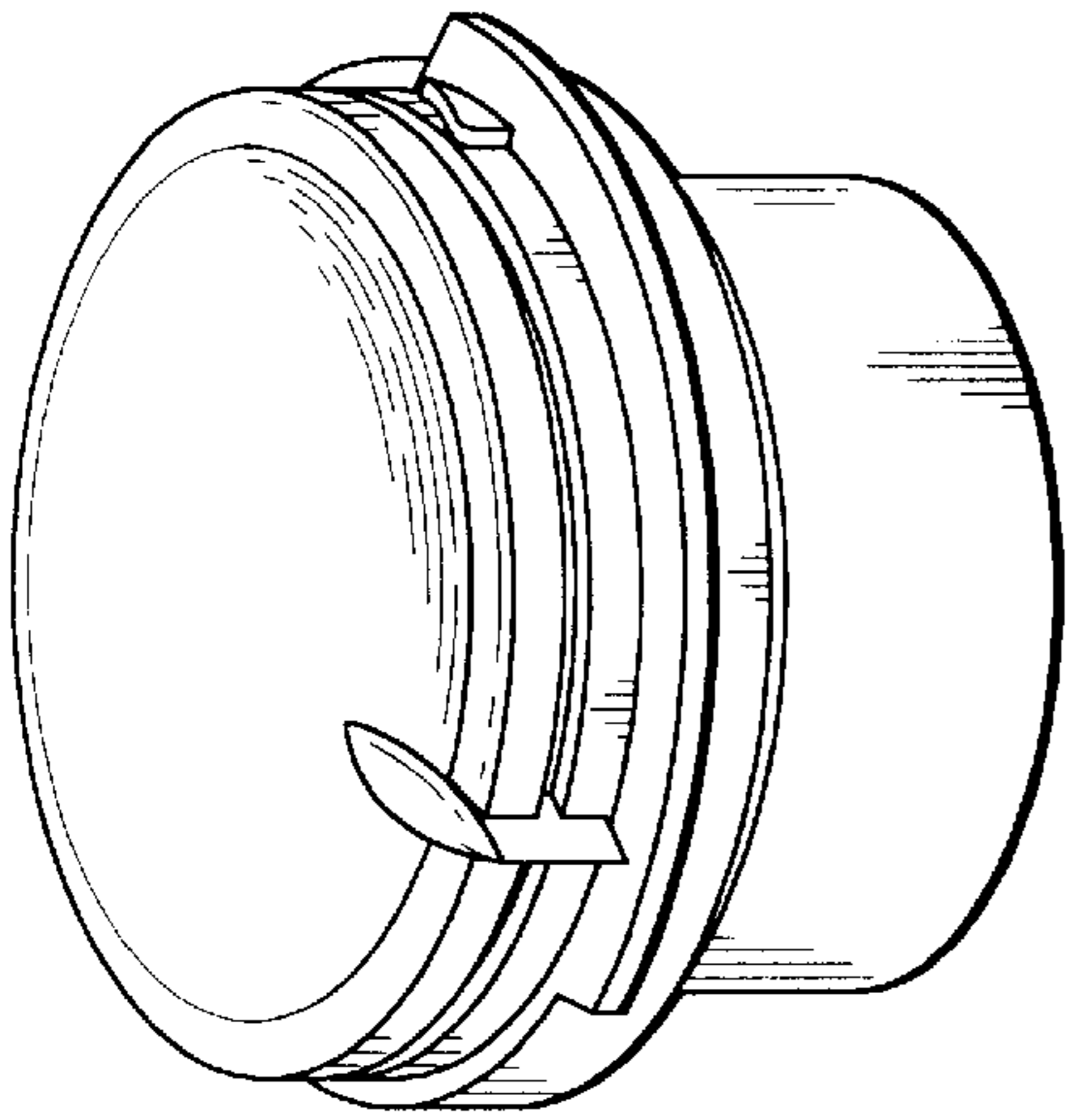


FIG. -8

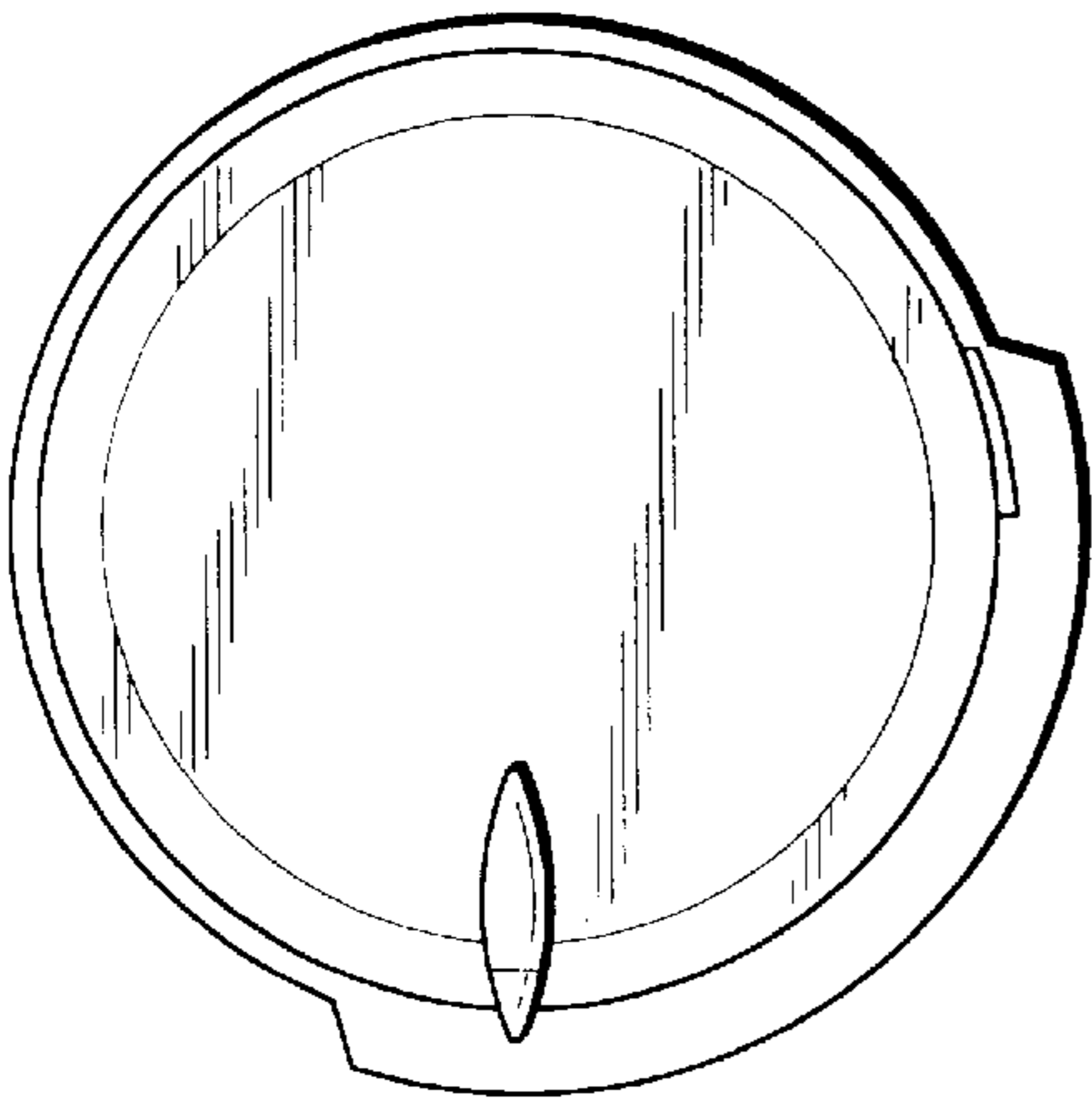


FIG. -9

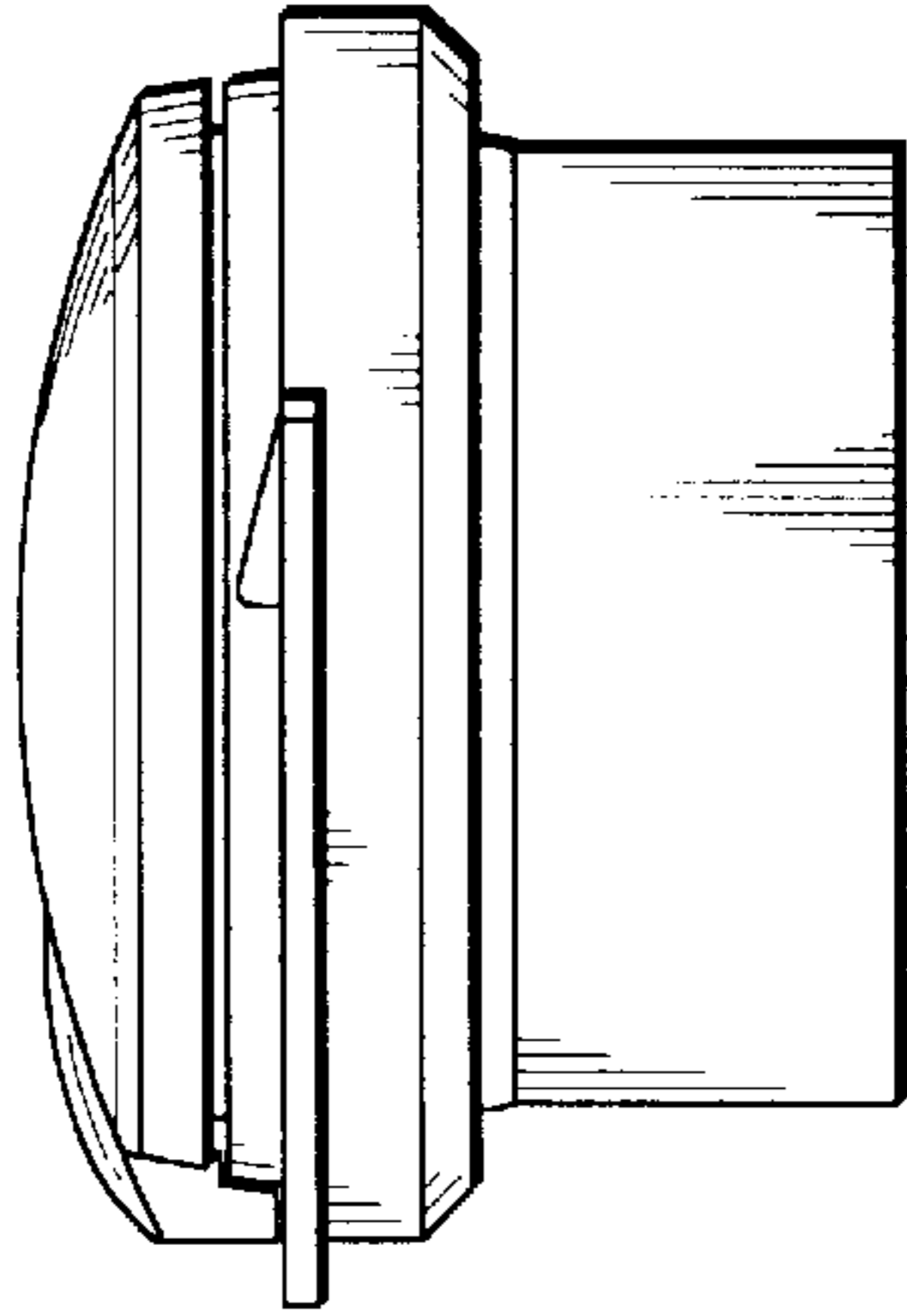


FIG. -10

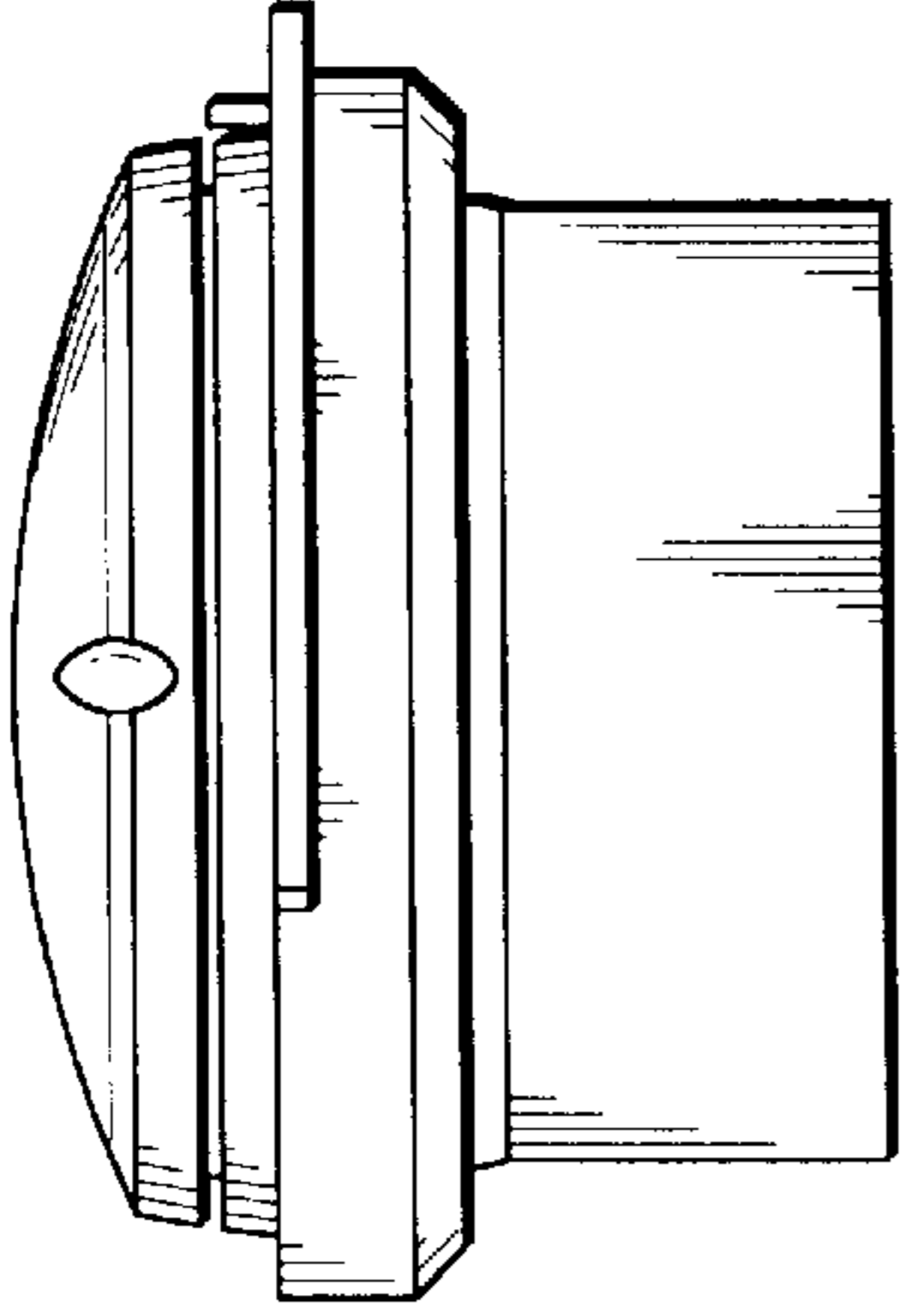


FIG. -11

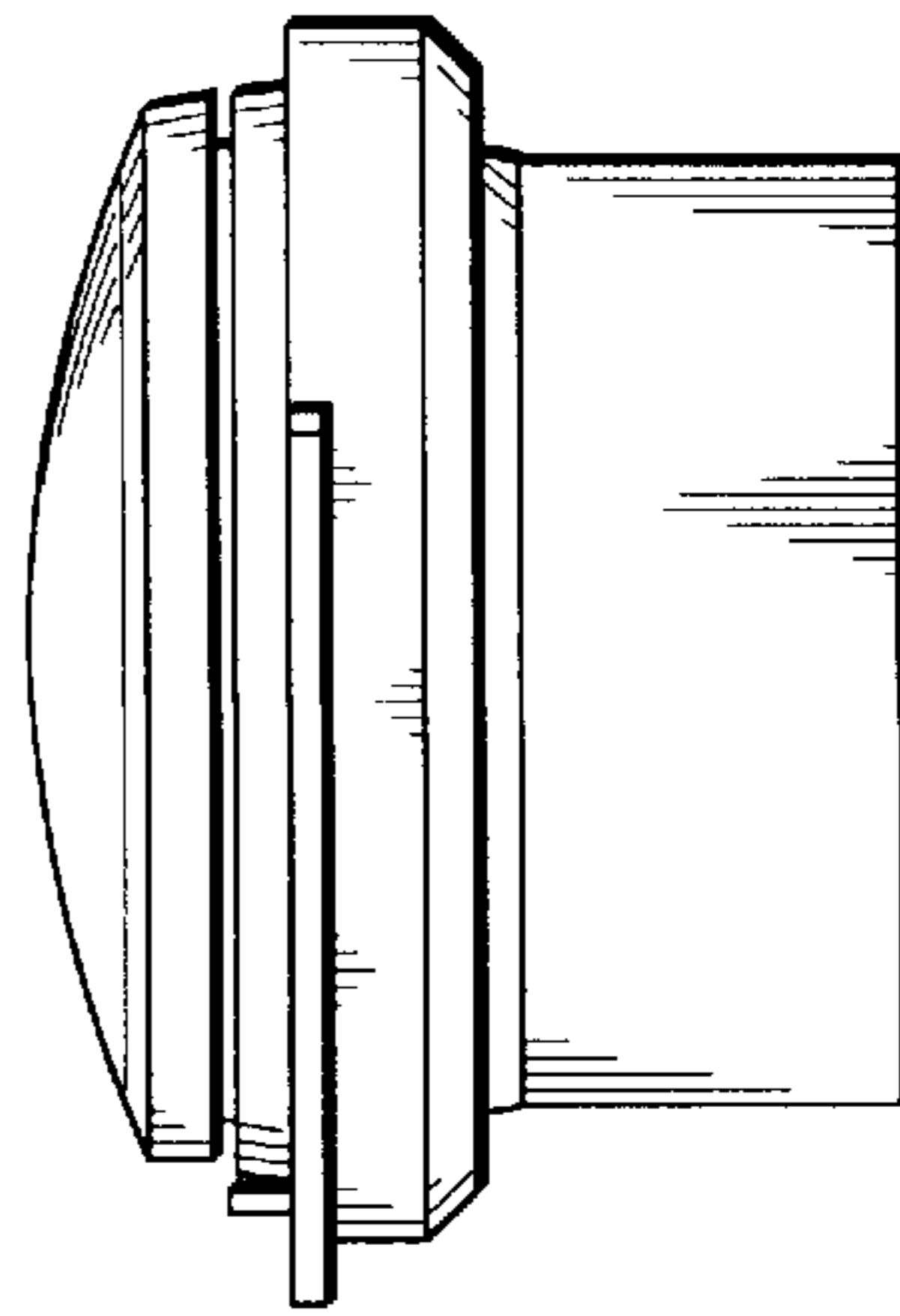


FIG. -12

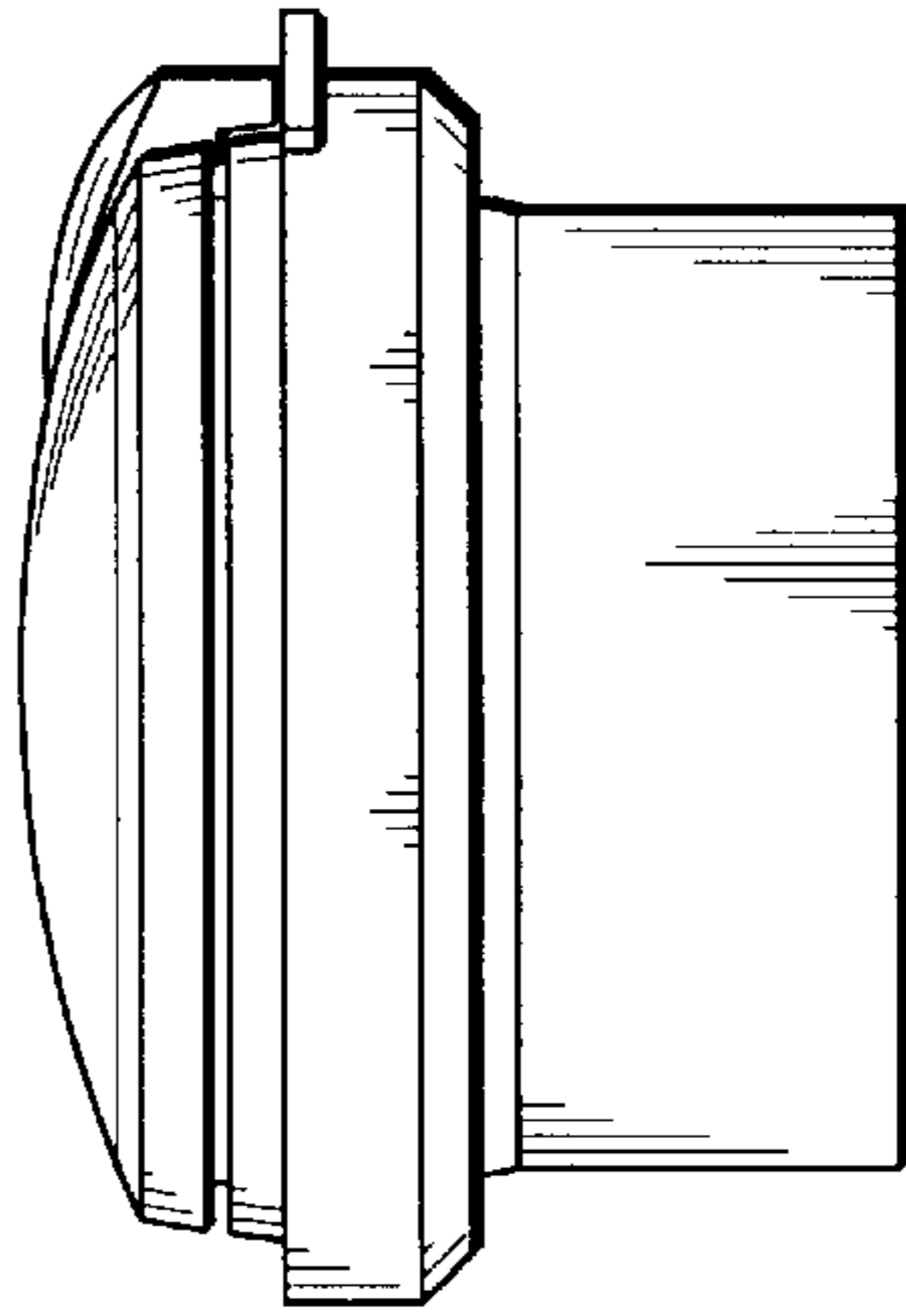


FIG. -13

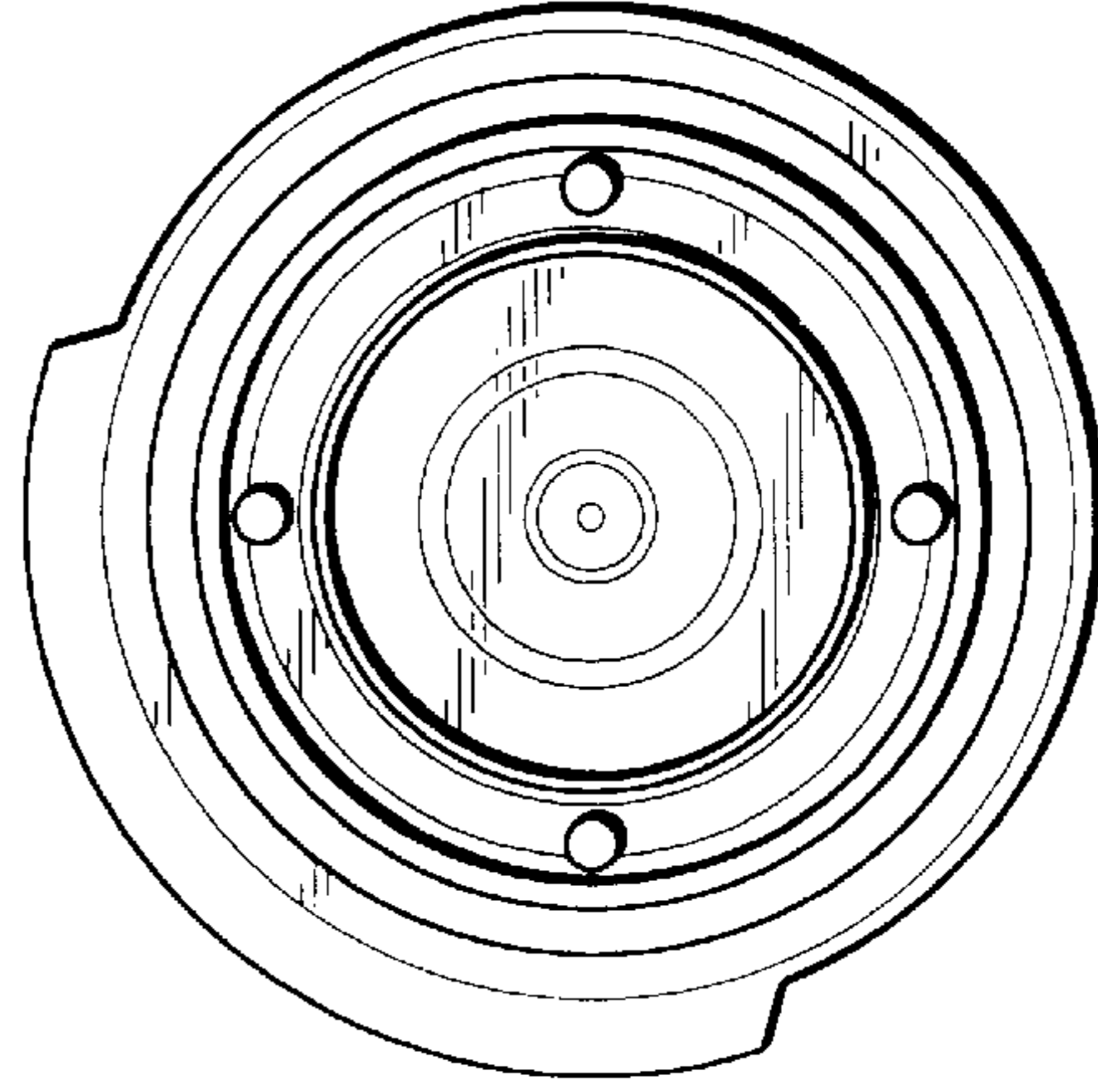


FIG. -14

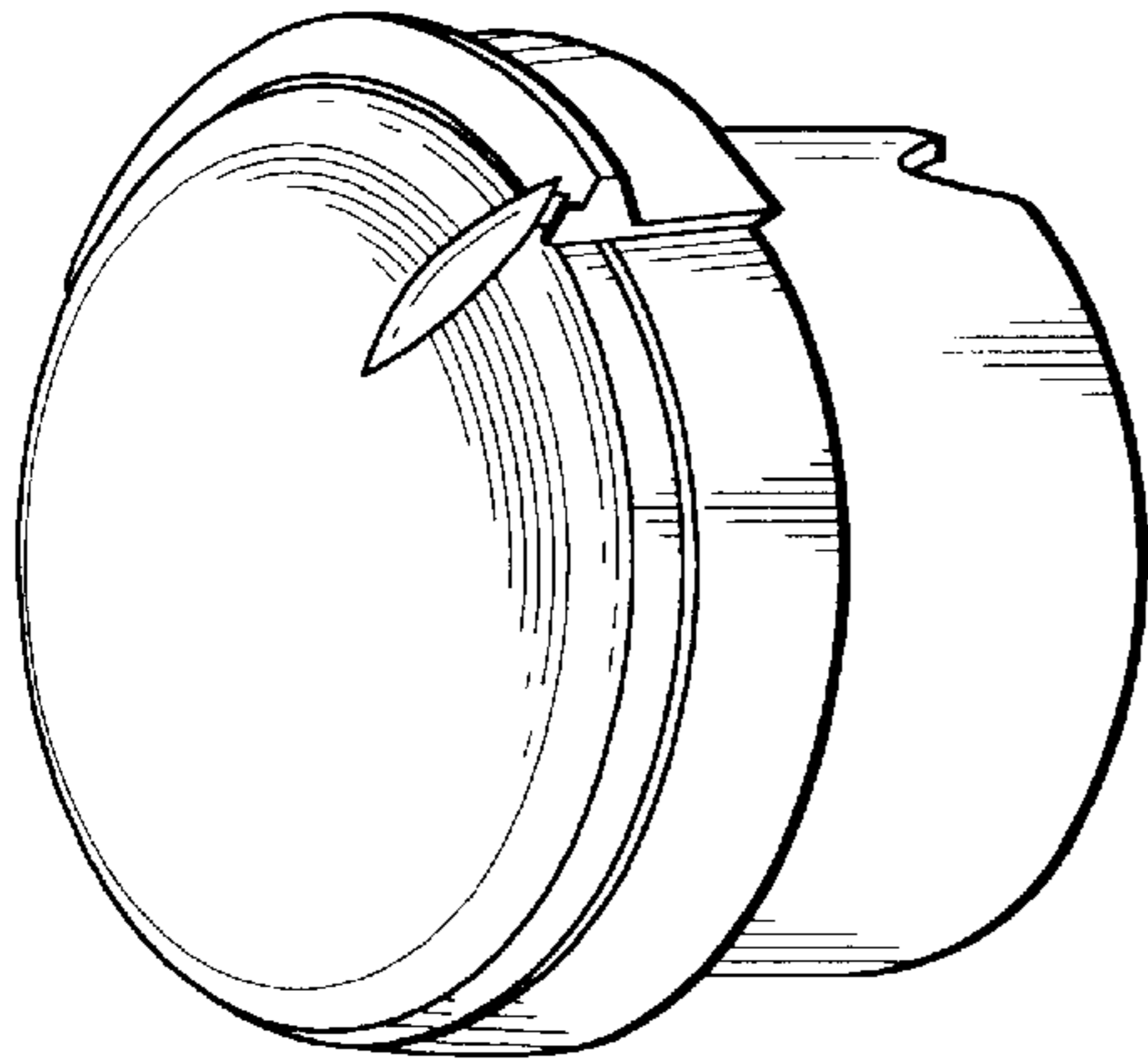


FIG. -15

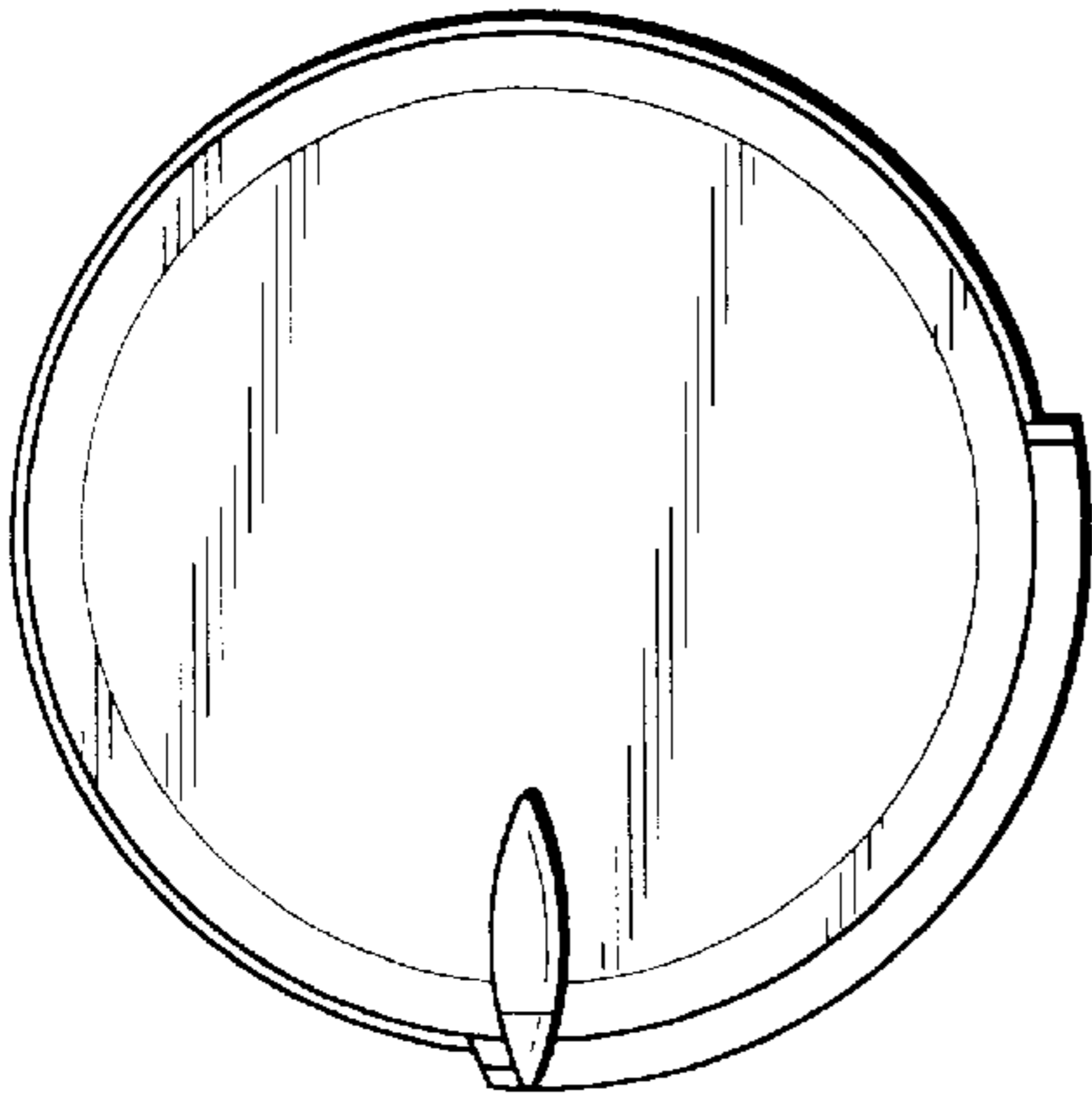


FIG. -16

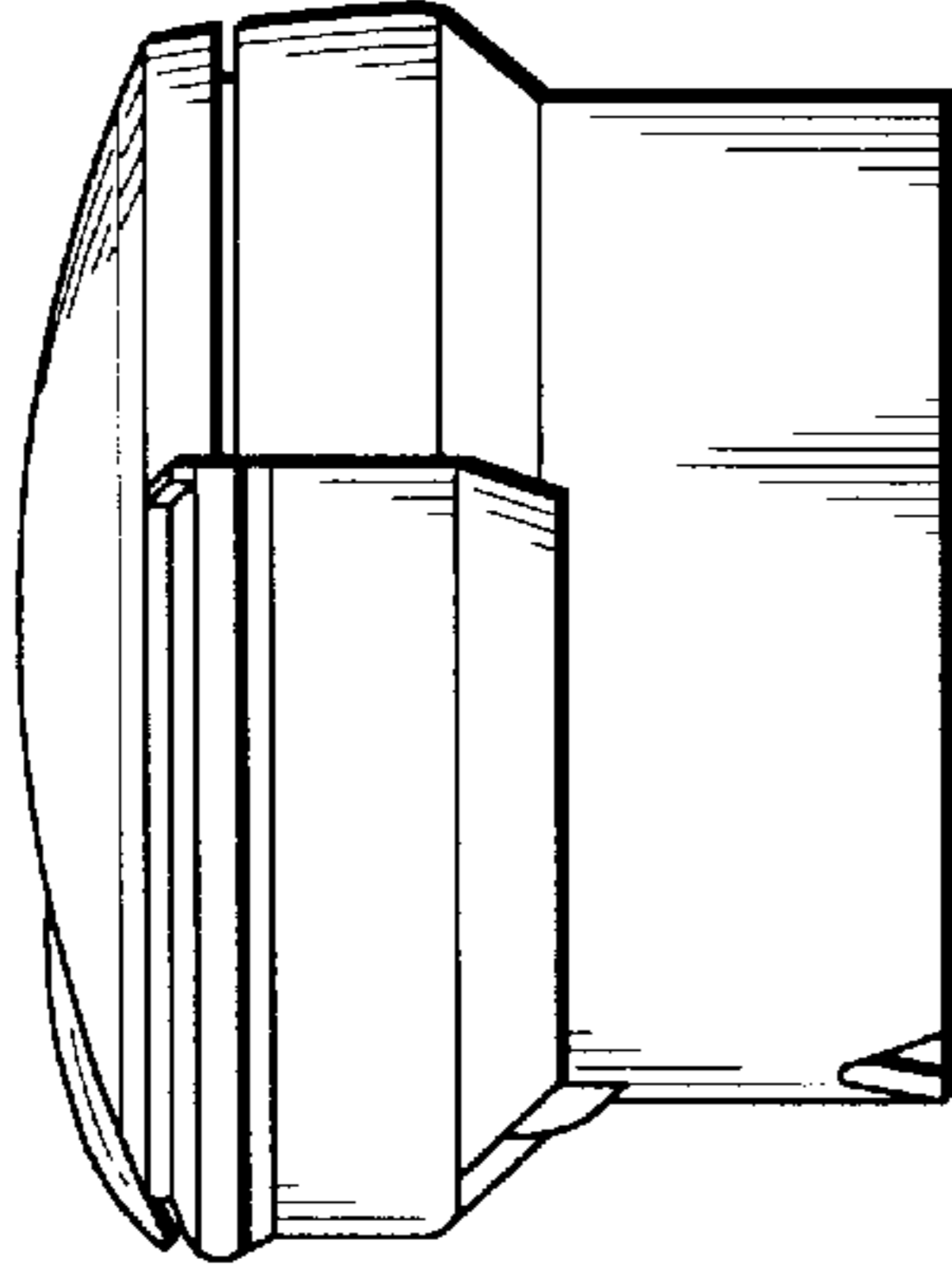


FIG. -17

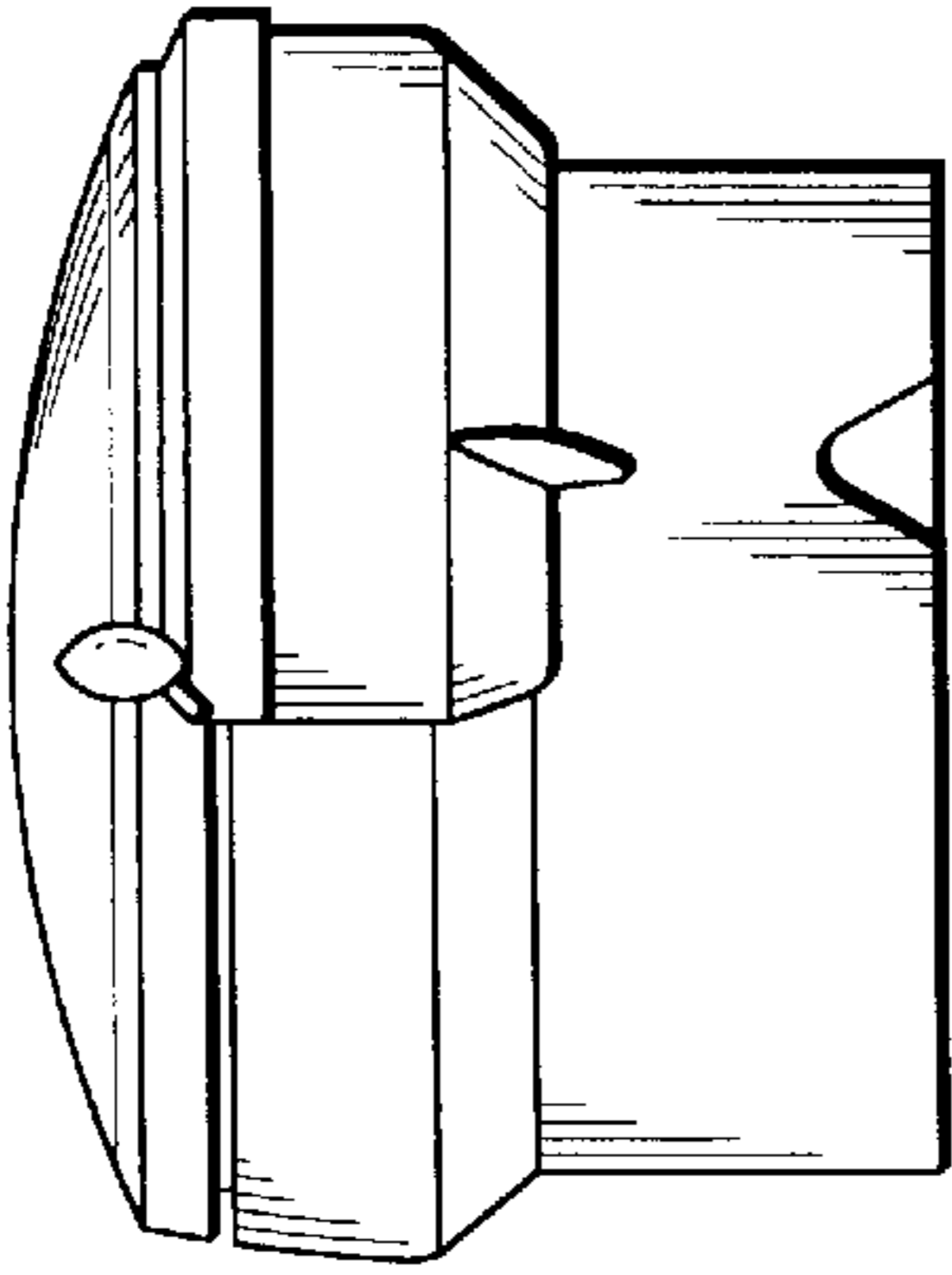


FIG. -18

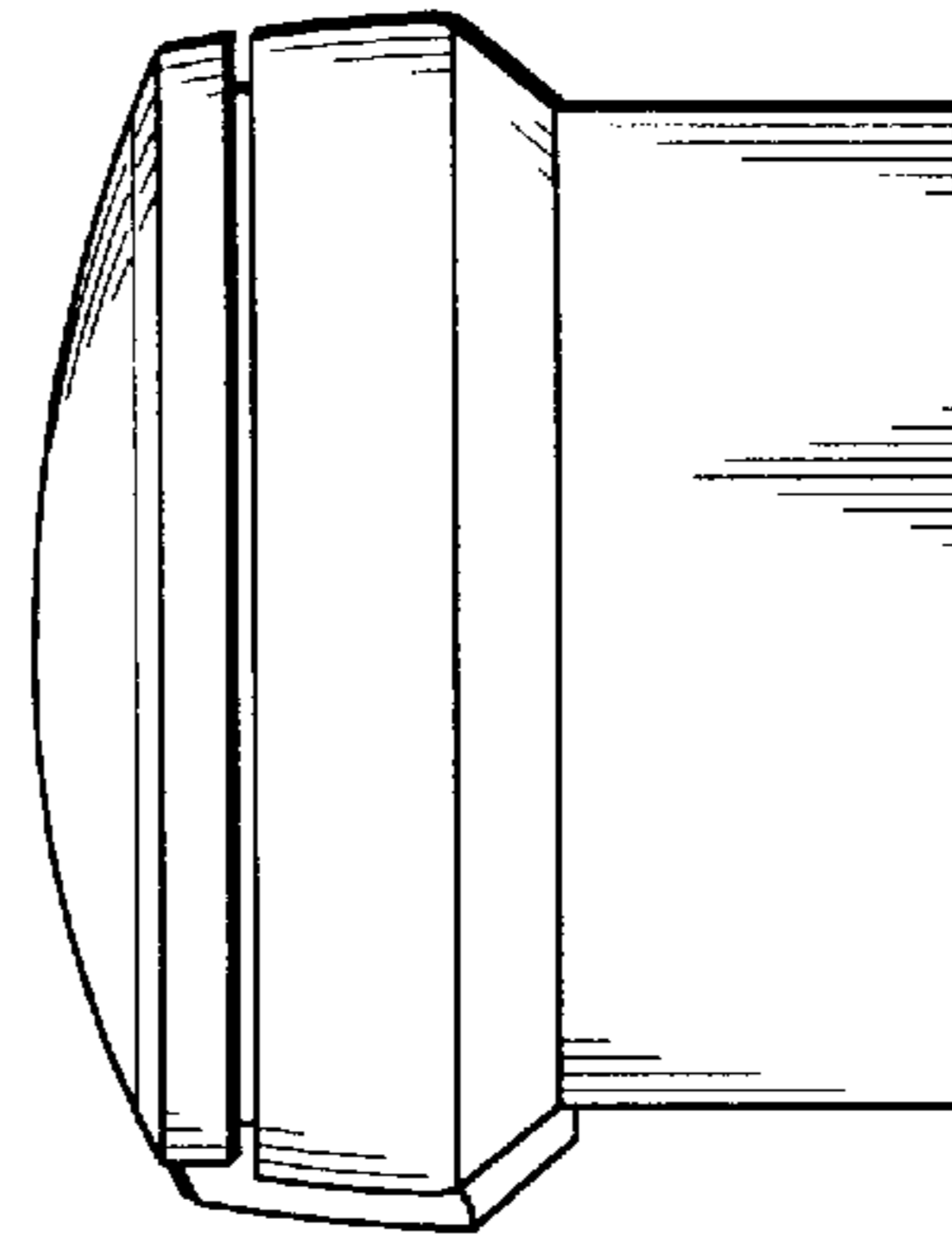


FIG. -19

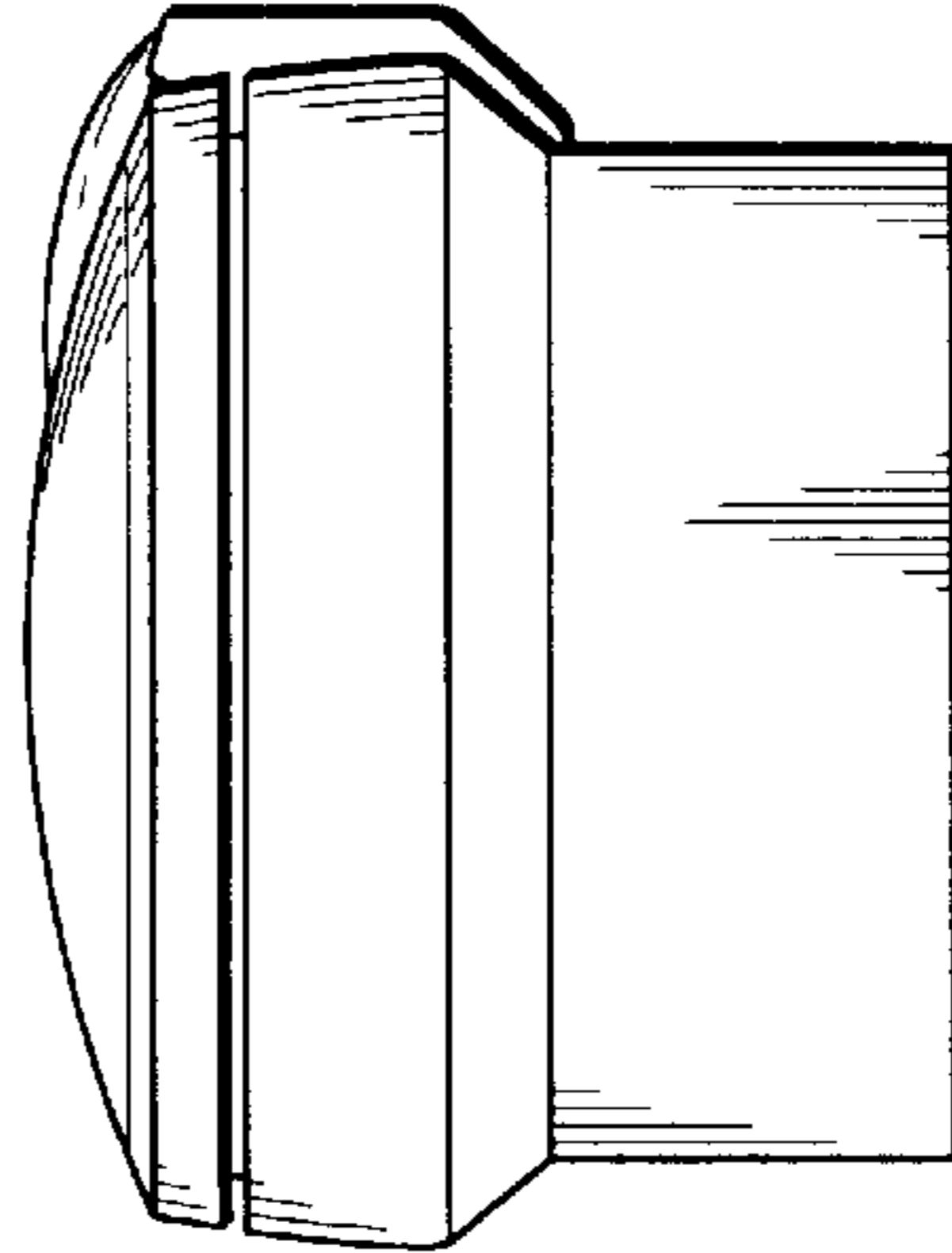


FIG. -20

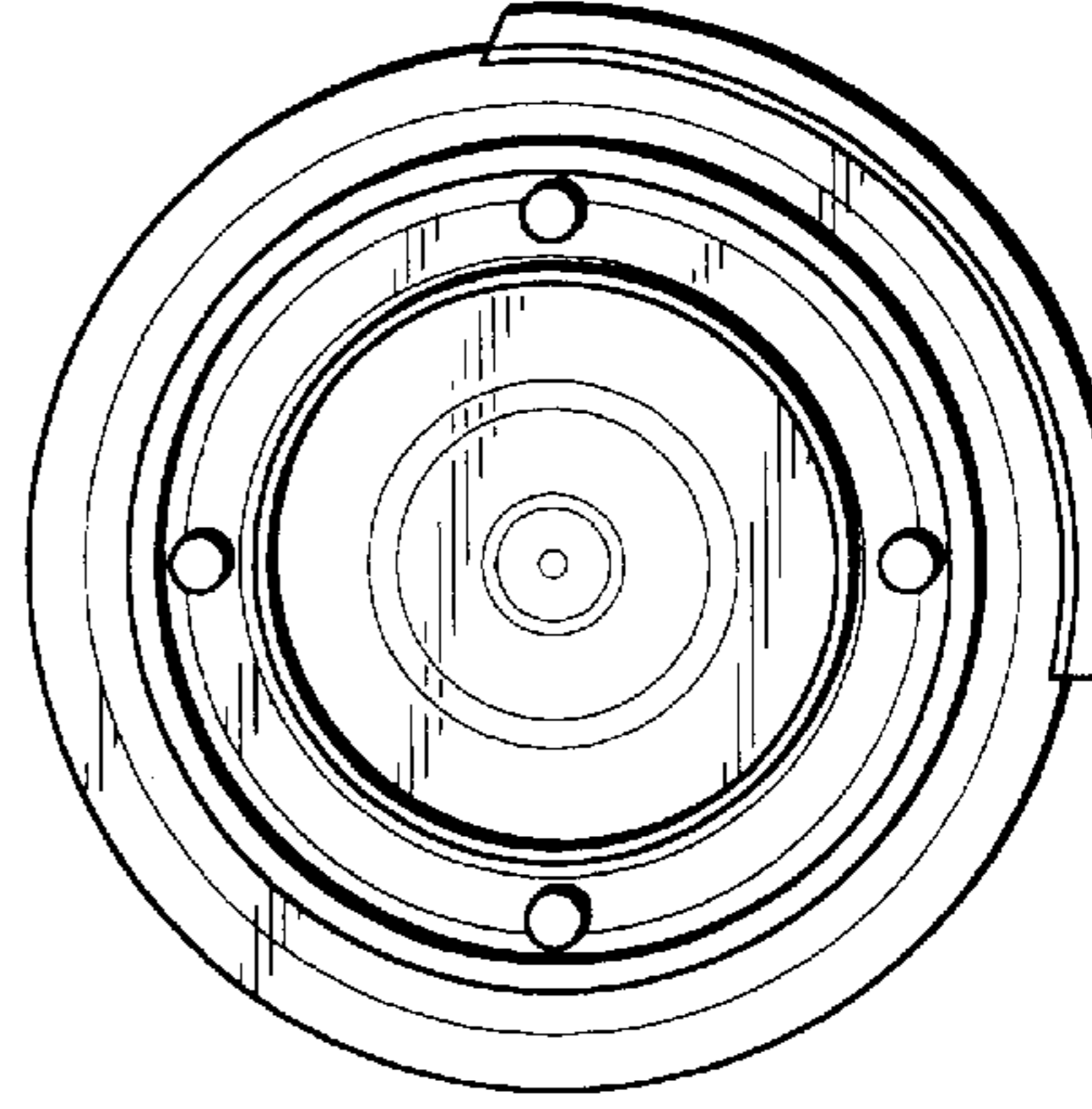


FIG. -21