



US00D406529S

United States Patent [19]

Grossman et al.

[11] Patent Number: **Des. 406,529**

[45] Date of Patent: ****Mar. 9, 1999**

[54] **STICKER CONTAINER**

[75] Inventors: **Andrea Grossman**, Novato; **Valerie Wong**, San Francisco, both of Calif.

[73] Assignee: **Mrs. Grossman's Paper Company**, Petaluma, Calif.

[**] Term: **14 Years**

[21] Appl. No.: **85,505**

[22] Filed: **Mar. 25, 1998**

[51] **LOC (6) Cl.** **09-07**

[52] **U.S. Cl.** **D9/418**

[58] **Field of Search** D9/415, 418, 414, D9/432, 416; 206/39, 39.7, 775-780, 769-773; 229/106, 108, 108.1, 115, 162, 117.1; 222/500

[56] **References Cited**

U.S. PATENT DOCUMENTS

- D. 267,474 1/1983 Maroszek D9/418
- D. 301,980 7/1989 Shih D9/418
- D. 302,121 7/1989 Wright D9/418
- D. 376,976 12/1996 Eicke et al. D9/418

- D. 384,276 9/1997 Casey et al. D9/418 X
- D. 389,737 1/1998 Badek D9/418
- 5,326,575 7/1994 Spaulding 426/124 X

OTHER PUBLICATIONS

Sunset House, p. 61, 1969.

Primary Examiner—Prabhakar G. Deshmukh
Attorney, Agent, or Firm—Francis Law Group

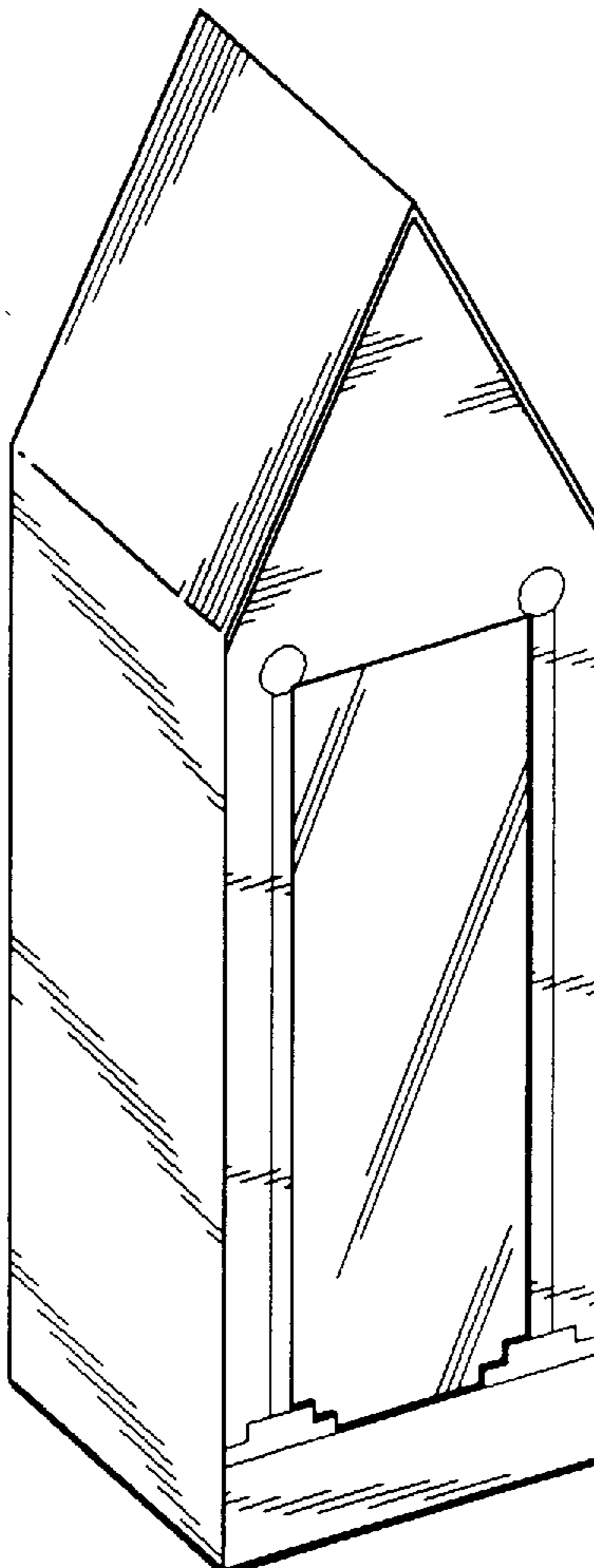
[57] **CLAIM**

We claim the ornamental design for a sticker container, as shown and described.

DESCRIPTION

FIG. 1 is a perspective view of the sticker container showing our new design;
FIG. 2 is a top plan view thereof;
FIG. 3 is a bottom plan view thereof;
FIG. 4 is a left side elevational view thereof;
FIG. 5 is a front elevational view thereof;
FIG. 6 is a right side elevational view thereof; and,
FIG. 7 is a rear elevational view thereof.

1 Claim, 2 Drawing Sheets



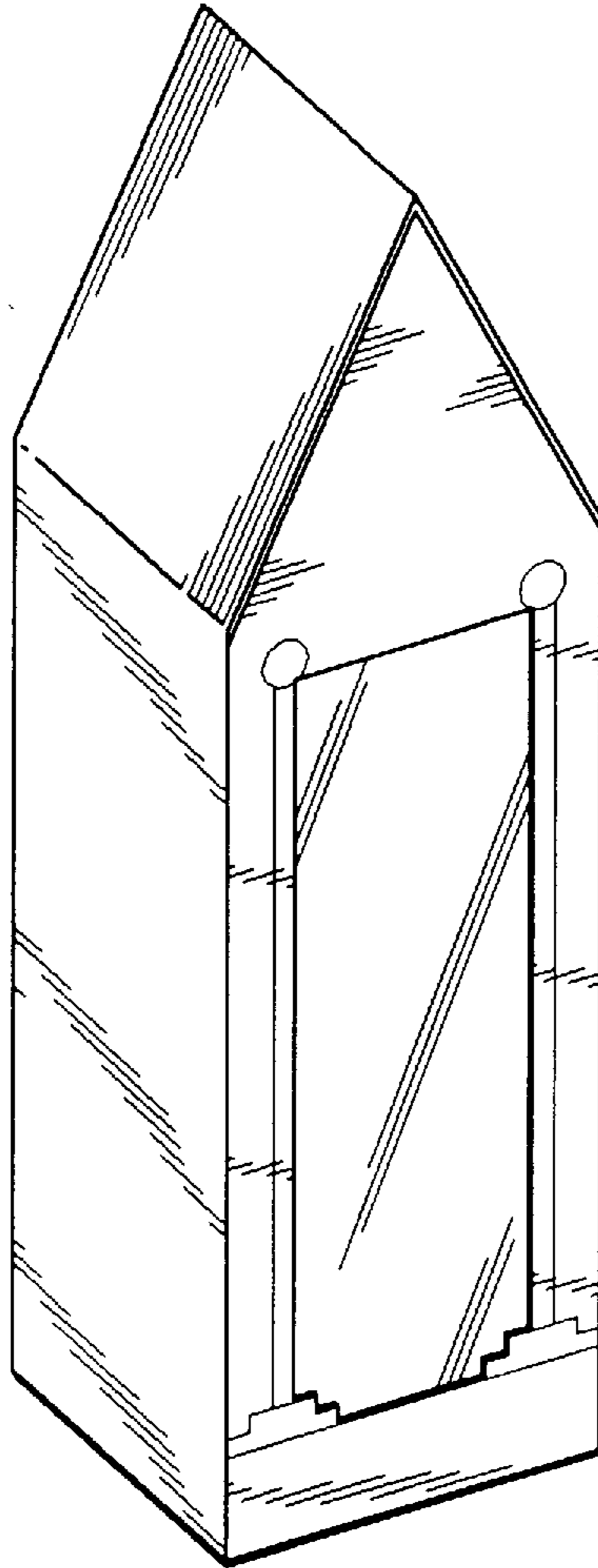


FIG. - 1

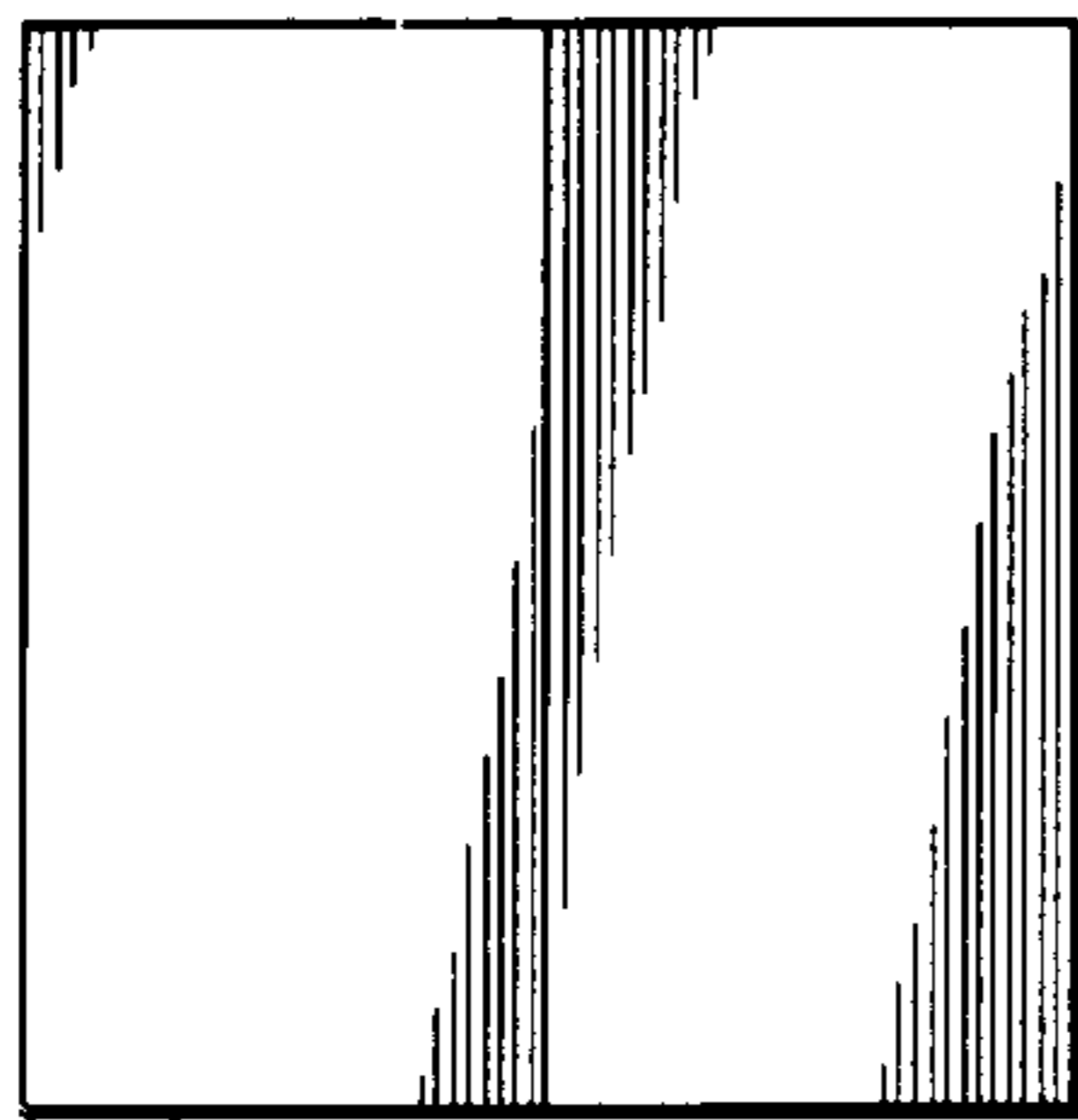


FIG. - 2

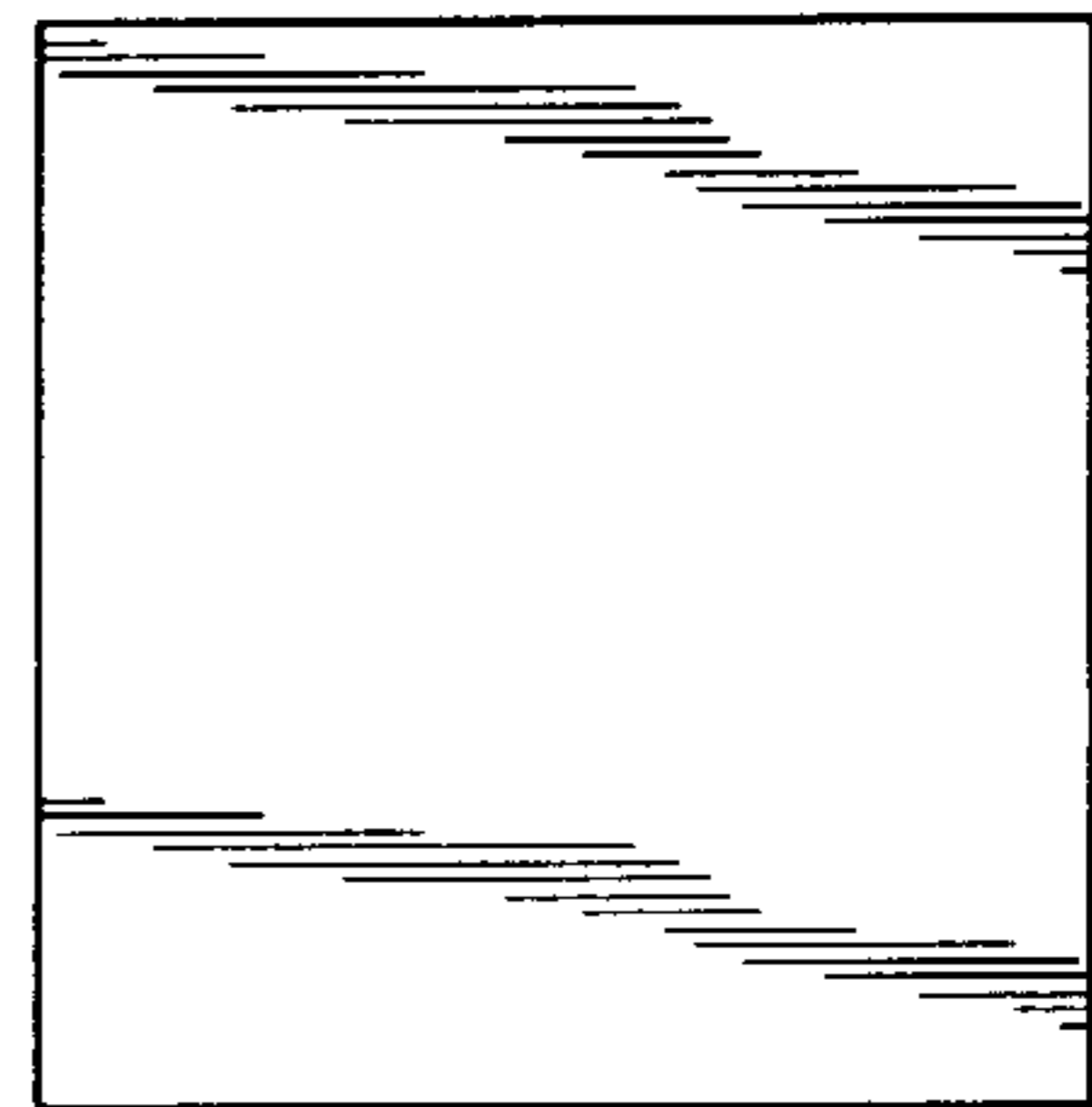


FIG. - 3

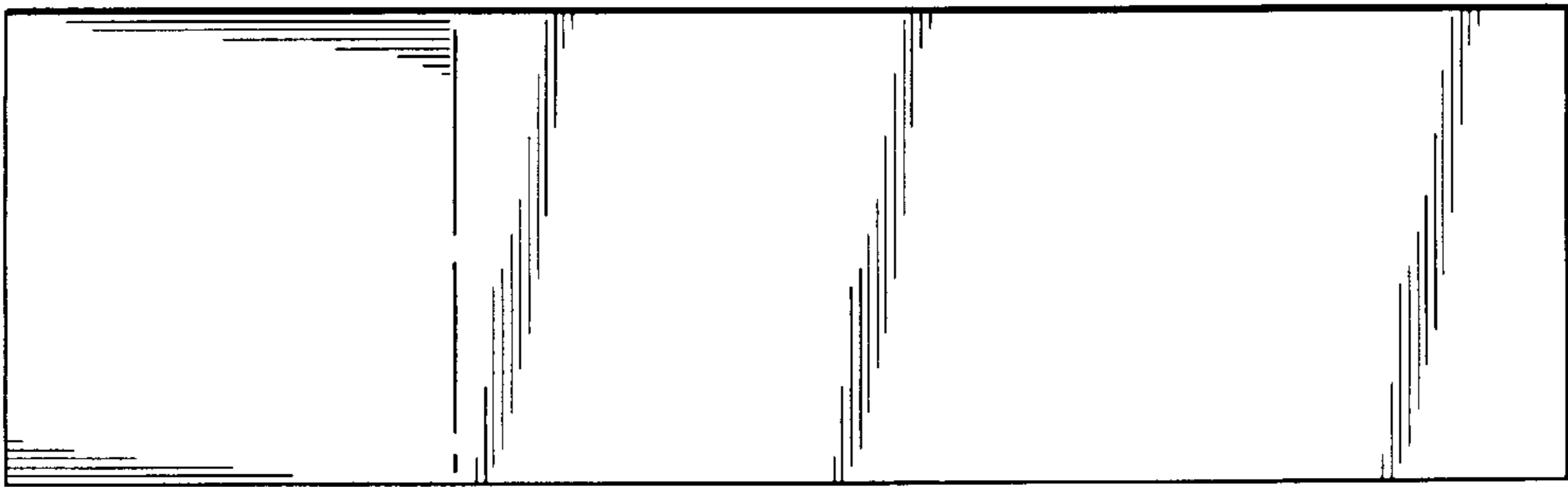


FIG. -4

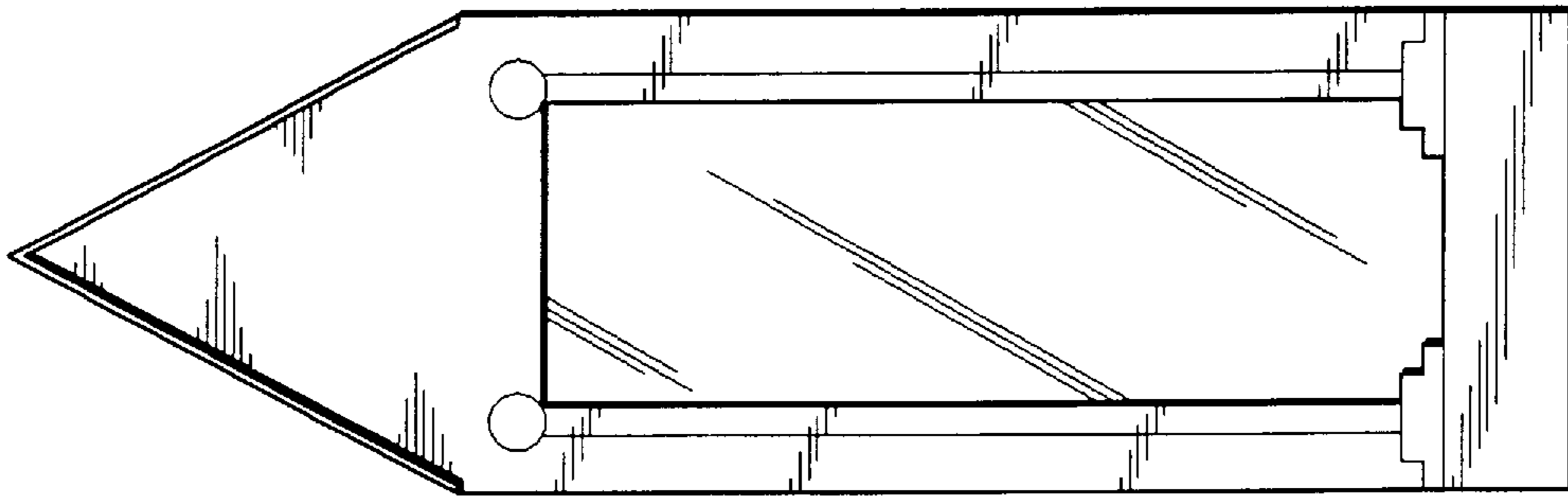


FIG. -5

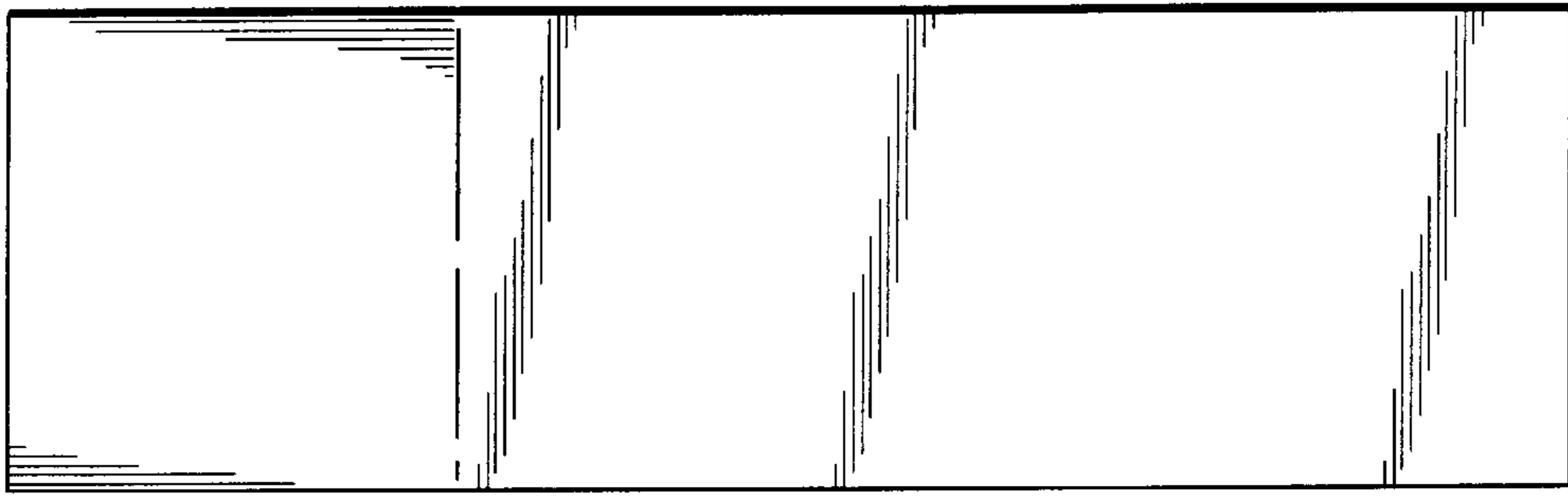


FIG. -6

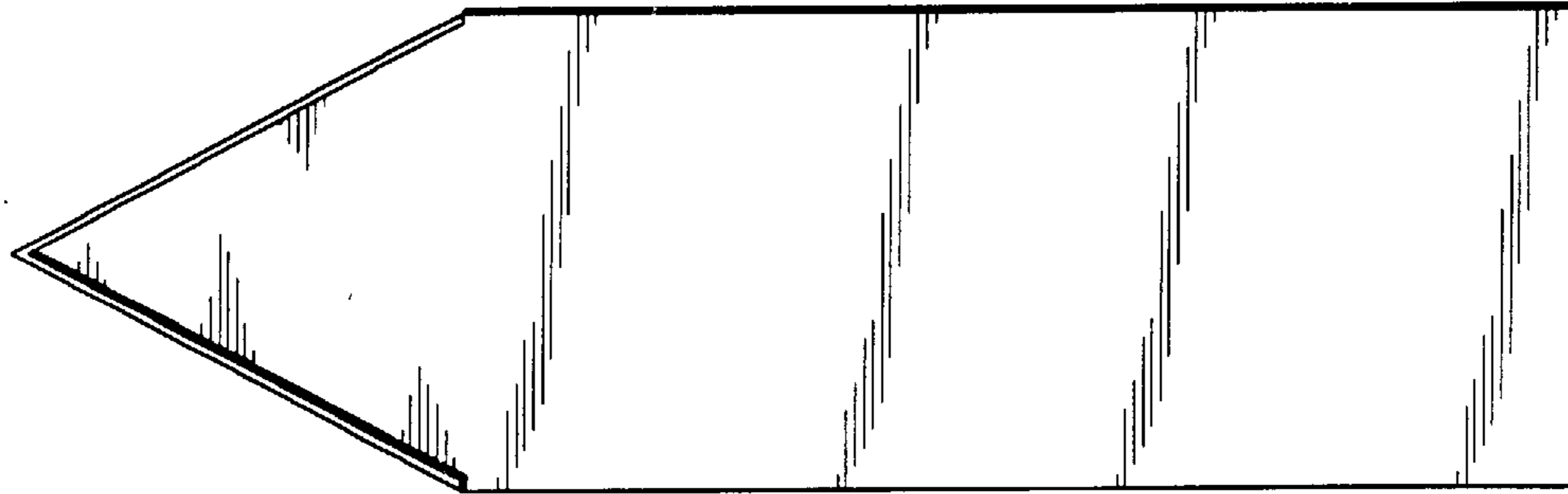


FIG. -7