



US00D406525S

# United States Patent [19] Peng

[11] **Patent Number: Des. 406,525**

[45] **Date of Patent: \*\*Mar. 9, 1999**

[54] **KEYBOARD PACKAGING BOX**

1,815,224 7/1931 Viscount ..... 206/748  
3,123,208 3/1964 Barnum et al. .... 206/748  
4,560,068 12/1985 Membrino ..... 206/526 X

[75] Inventor: **Jeffrey Peng**, Taipie Hsien, Taiwan

[73] Assignee: **Chicony Electronics Co., Ltd.**, Taipei Hsien, Taiwan

[\*\*] Term: **14 Years**

*Primary Examiner*—Ted Shooman  
*Assistant Examiner*—Nanda Bondade  
*Attorney, Agent, or Firm*—Rosenberg, Klein & Bilker

[21] Appl. No.: **79,698**

[22] Filed: **Nov. 21, 1997**

[57] **CLAIM**

The ornamental design for a keyboard packaging box, as shown and described.

[51] **LOC (6) Cl. .... 09-03**

[52] **U.S. Cl. .... D9/341; D9/415**

[58] **Field of Search** ..... D9/341, 346, 415,  
D9/418, 433; D18/11; 206/305, 320, 388,  
485, 722, 747-750, 769

**DESCRIPTION**

FIG. 1 is the perspective view of a keyboard packaging box showing my new design;

FIG. 2 is a front elevational view thereof, the rear view being identical;

FIG. 3 is a side elevational view thereof, the opposite side being a mirror image;

FIG. 4 is a top plan view thereof; and,

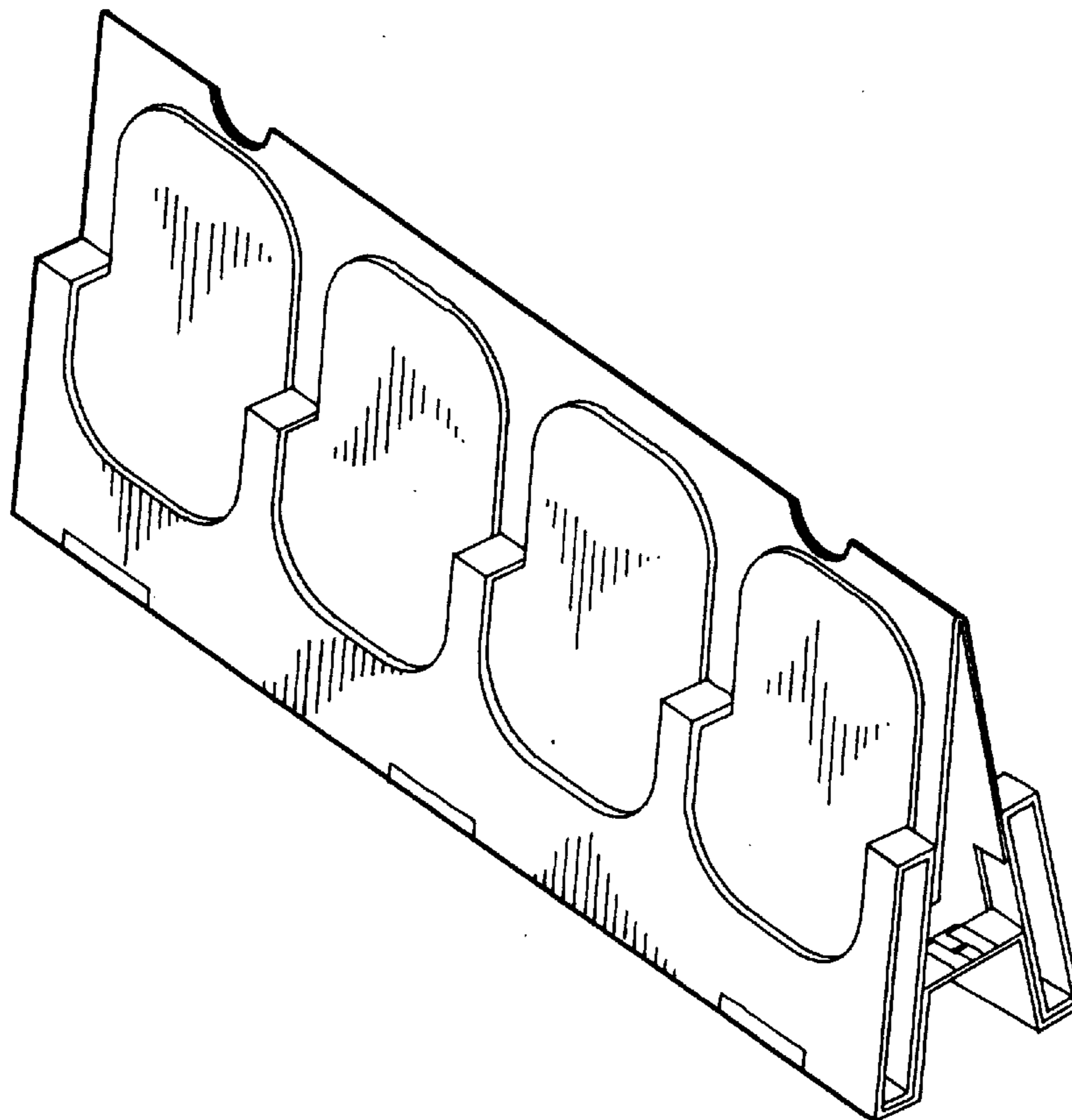
FIG. 5 is a bottom plan view thereof.

[56] **References Cited**

**U.S. PATENT DOCUMENTS**

D. 99,419 4/1936 Schiller ..... D9/431  
515,881 3/1894 Kirkpatrick ..... 206/749  
977,305 11/1910 Hepe ..... 206/749

**1 Claim, 3 Drawing Sheets**



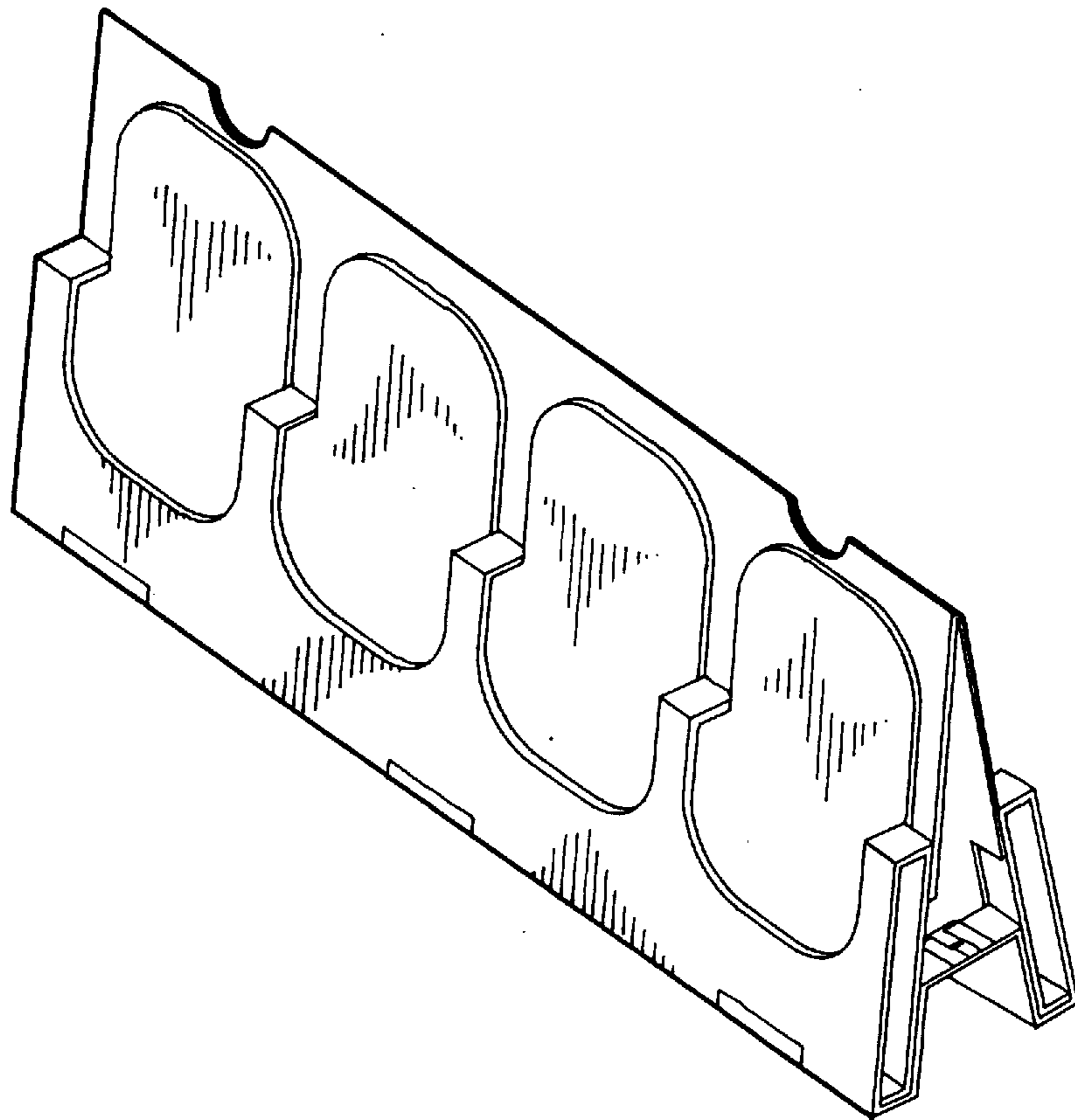


FIG. 1

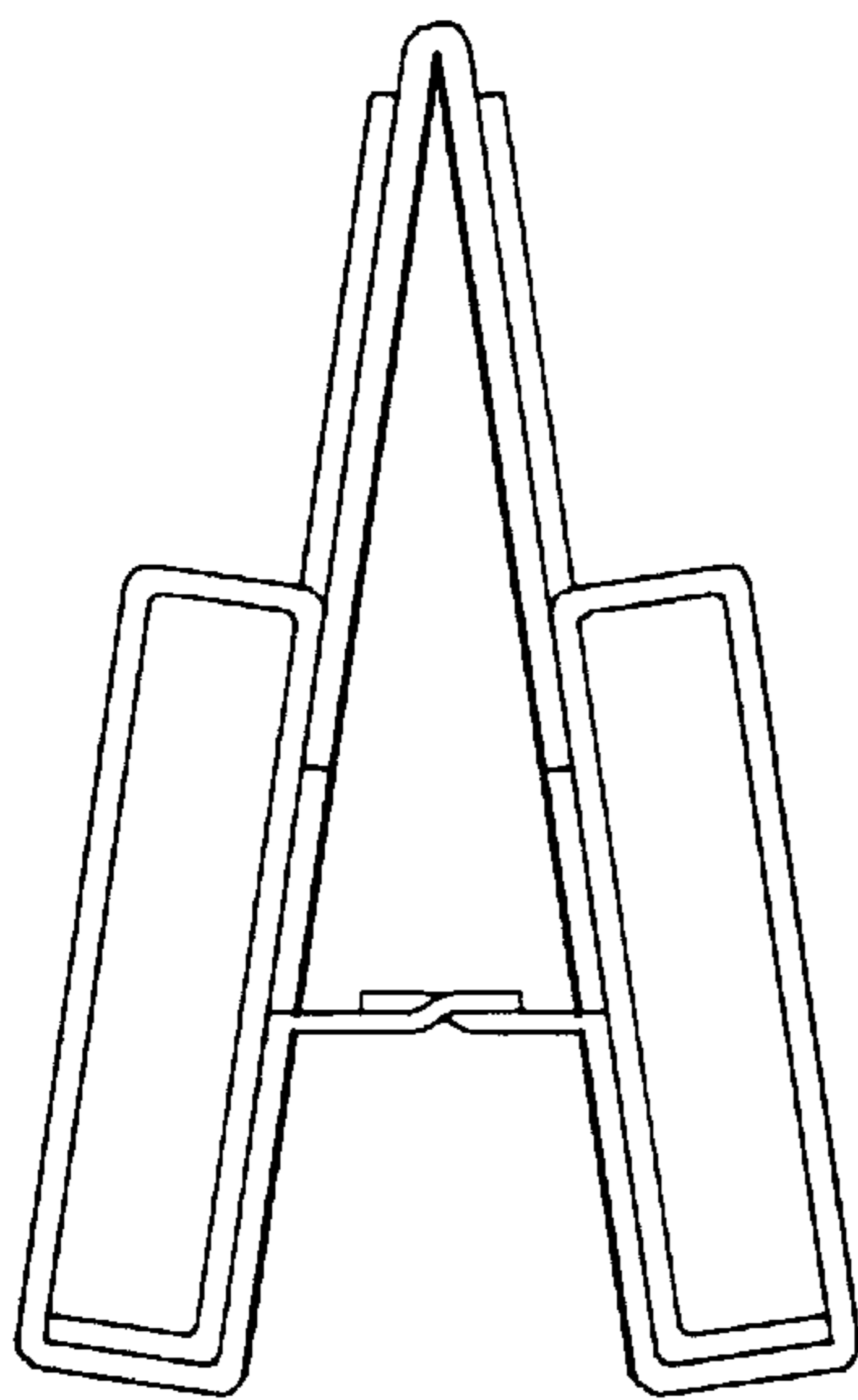


FIG. 3

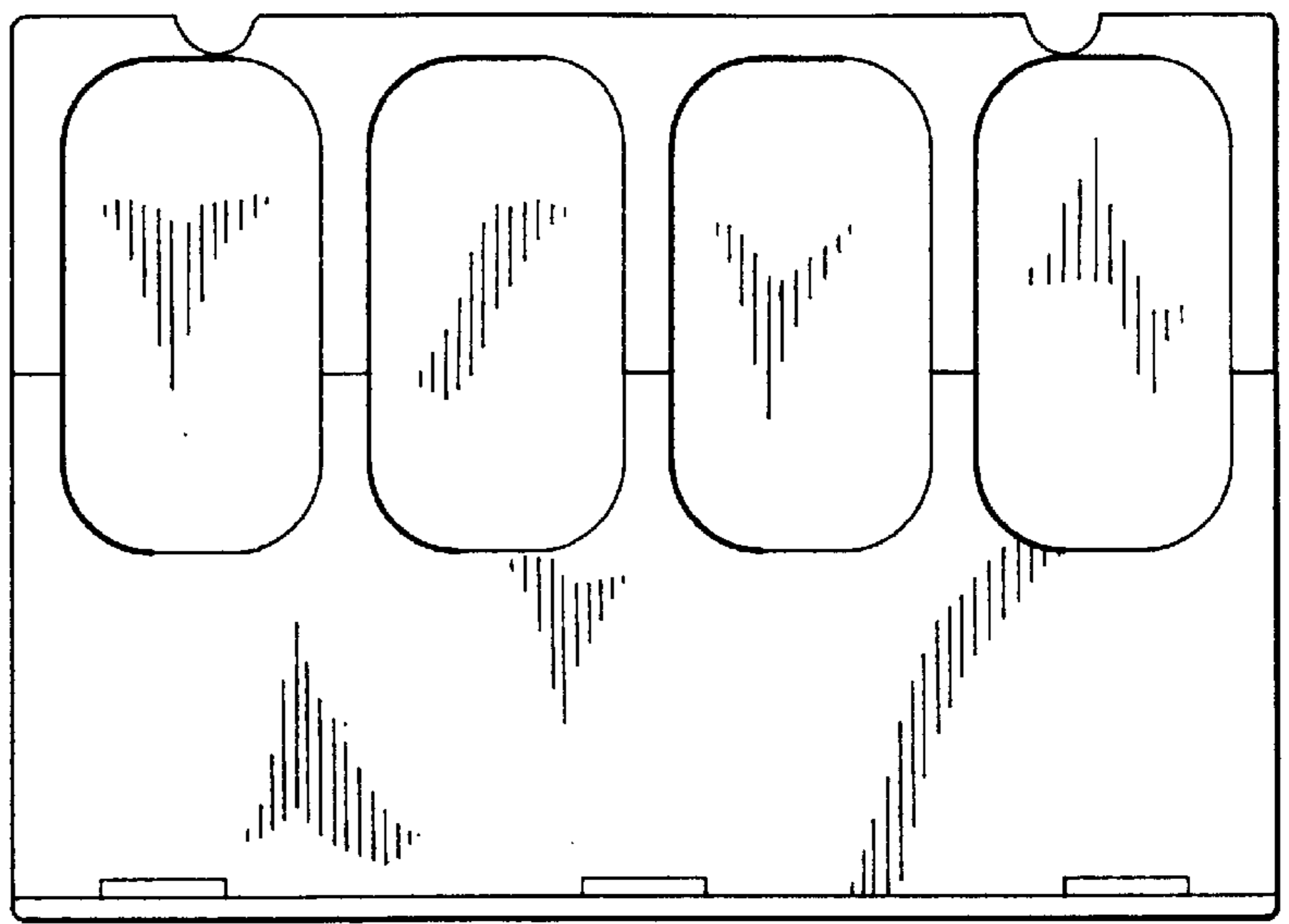


FIG. 2

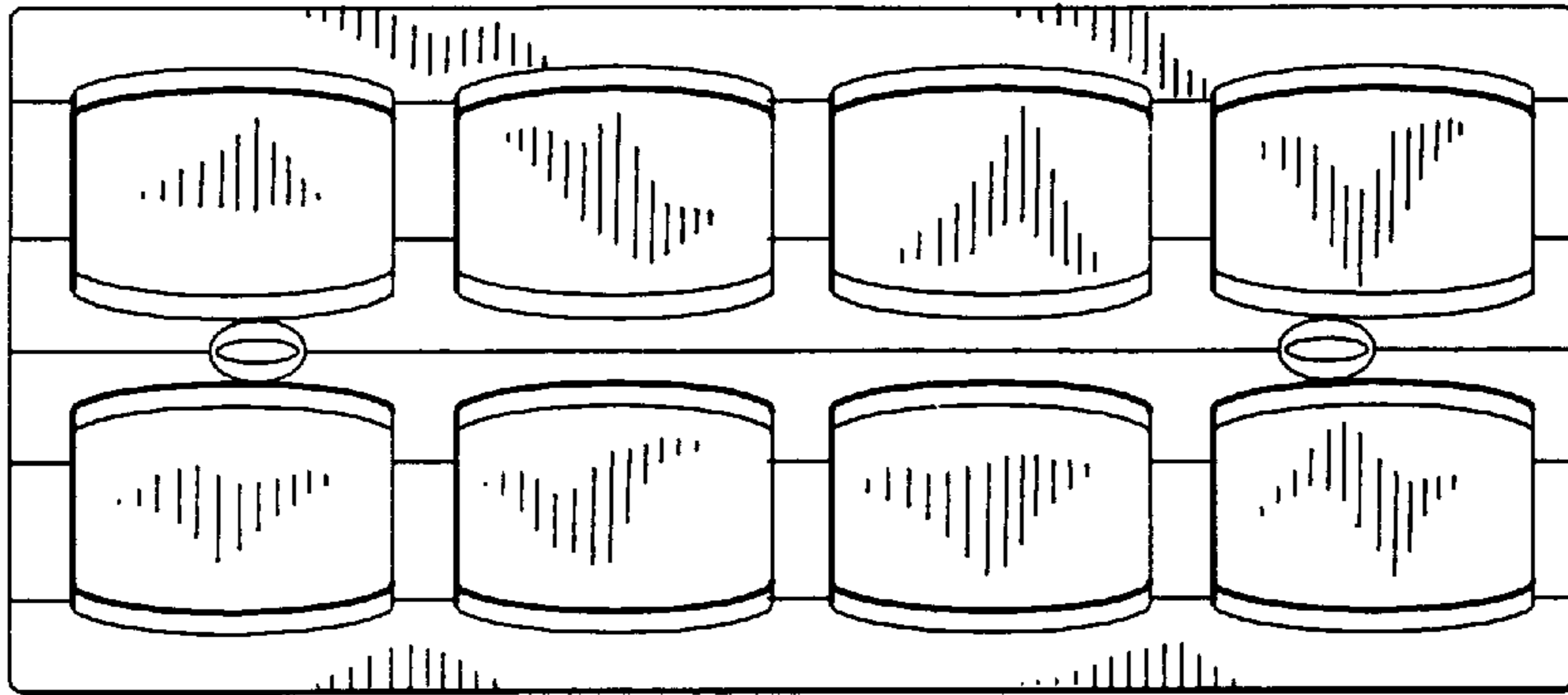


FIG. 4

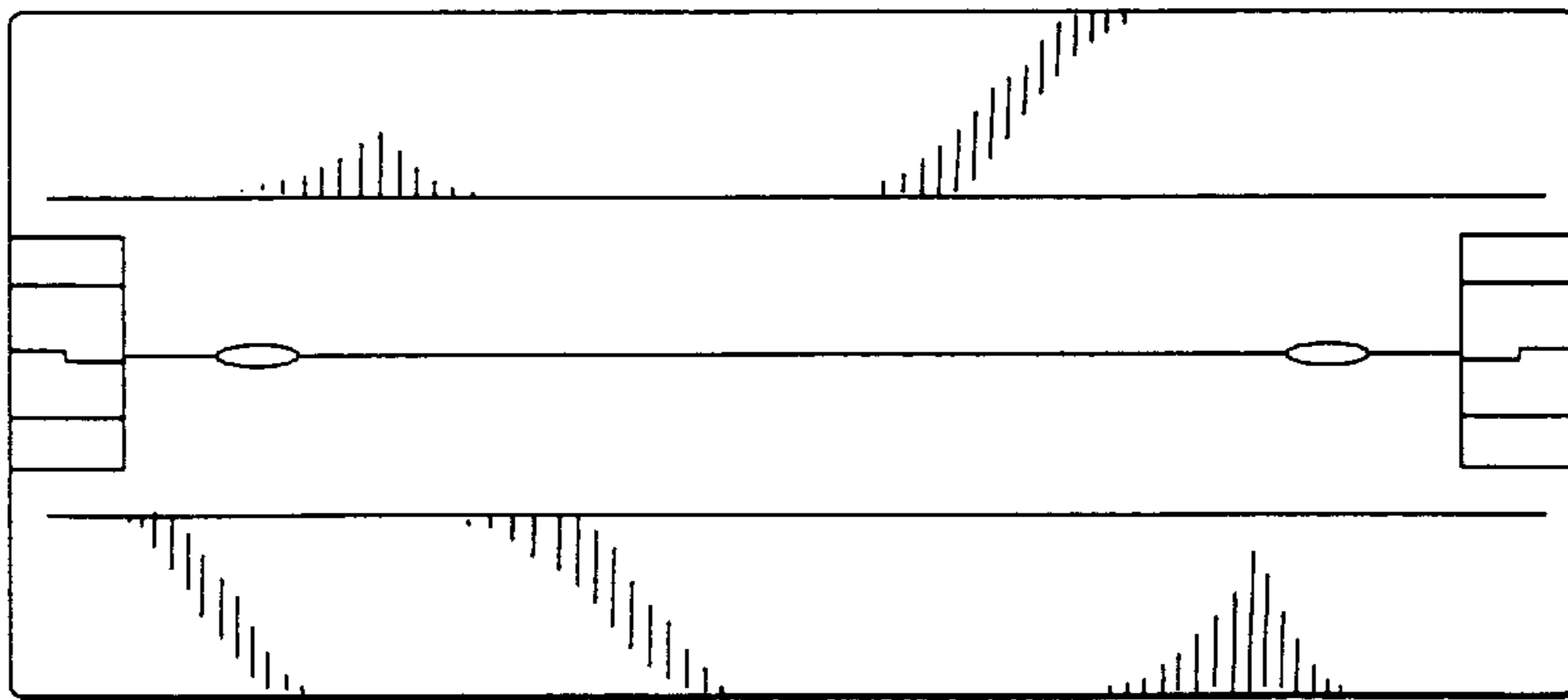


FIG. 5