



US00D406524S

United States Patent [19]

Steenson et al.

[11] Patent Number: Des. 406,524

[45] Date of Patent: **Mar. 9, 1999

[54] FLOATING NUT ANCHOR FOR CONCRETE CONSTRUCTION

[76] Inventors: **Thomas W. Steenson**, 221 Grandview Avenue, Thornhill, Ontario, Canada, L3T 1J3; **W. Donald Paton**, 33 Weldrick Avenue, Richmond Hill, Ontario, Canada, L4C 8W4

[**] Term: 14 Years

[21] Appl. No.: 74,657

[22] Filed: Aug. 8, 1997

Related U.S. Application Data

[63] Continuation of Ser. No. 27,206, Aug. 16, 1994, abandoned, which is a continuation of Ser. No. 143,257, Oct. 29, 1993, abandoned.

[51] LOC (6) Cl. 08-08

[52] U.S. Cl. D8/397

[58] Field of Search D8/397; 52/235, 52/710

[56] References Cited

U.S. PATENT DOCUMENTS

- 1,280,485 10/1918 Kahn .
- 1,491,571 4/1924 Tomkinson et al. .
- 1,722,241 7/1929 Cummins .
- 1,727,296 9/1929 Matte, Jr. .

- 1,922,479 8/1933 Joslin .
- 1,924,884 8/1933 Schaffert .
- 1,933,536 11/1933 Awbrey .
- 2,181,740 11/1939 Reiland .
- 2,767,609 10/1956 Cousino .
- 3,507,315 4/1970 Tummarello .
- 4,040,228 8/1977 Skubic 52/710
- 4,130,977 12/1978 Taylor, Jr. et al. .
- 4,194,333 3/1980 Paton et al. .
- 4,905,444 3/1990 Semaan et al. .

Primary Examiner—Mitchell I. Siegel
Attorney, Agent, or Firm—Shoemaker and Mattare, Ltd.

[57] CLAIM

The ornamental design for a floating nut anchor for concrete construction, as shown and described.

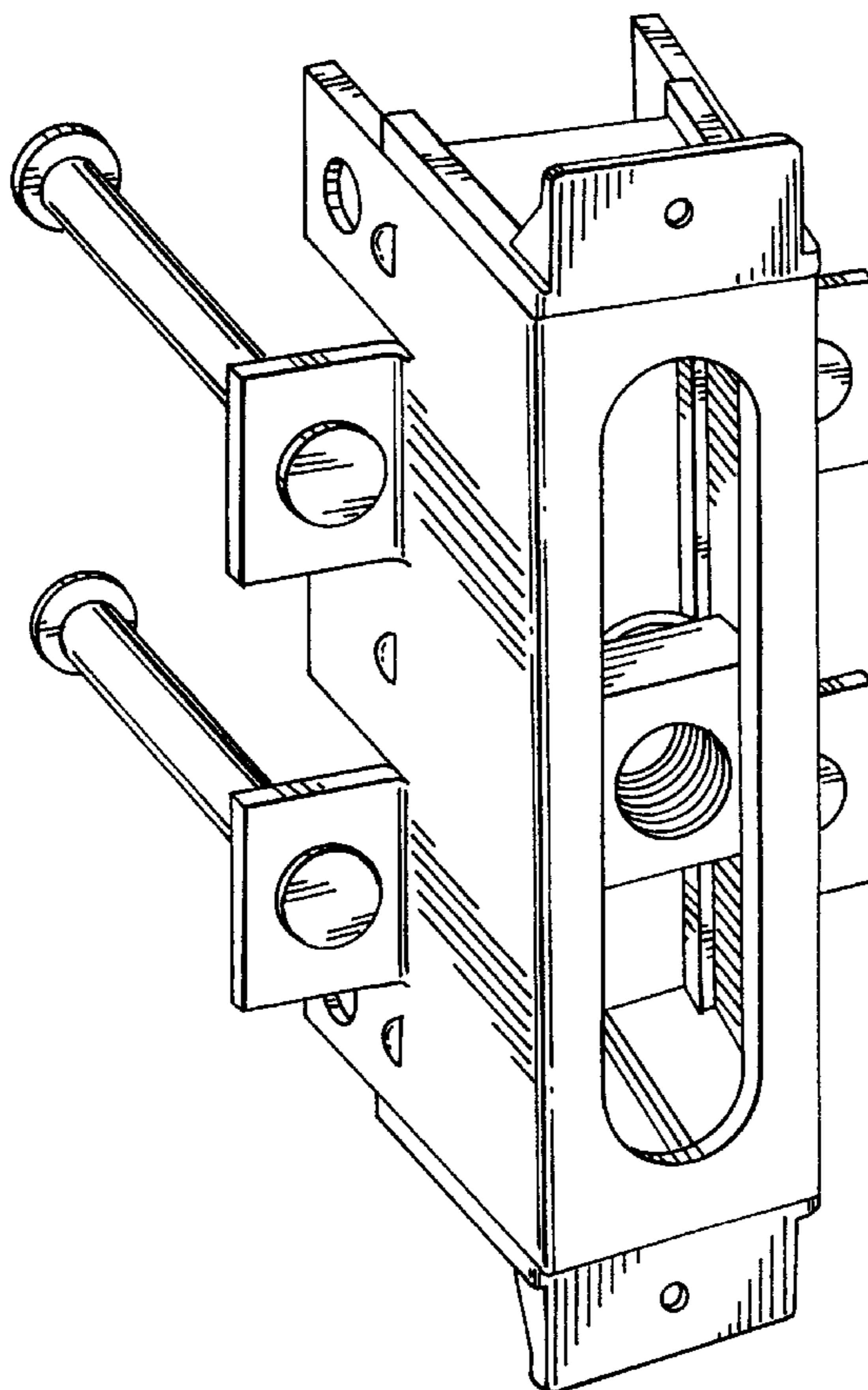
DESCRIPTION

FIG. 1 is a perspective view, from the front, of a floating nut anchor for concrete construction, showing my new design; FIG. 2 is a top end view thereof, the other end view (not shown) being identical; FIG. 3 is a left side view thereof, the other side view (not shown) being symmetrical; and, FIG. 4 is a back view thereof.

The portion of the interior not shown in FIG. 1 forms no part of the claimed design.

The four fasteners disclosed in FIG. 1 have been omitted from FIGS. 2-4 for ease of illustration.

1 Claim, 2 Drawing Sheets



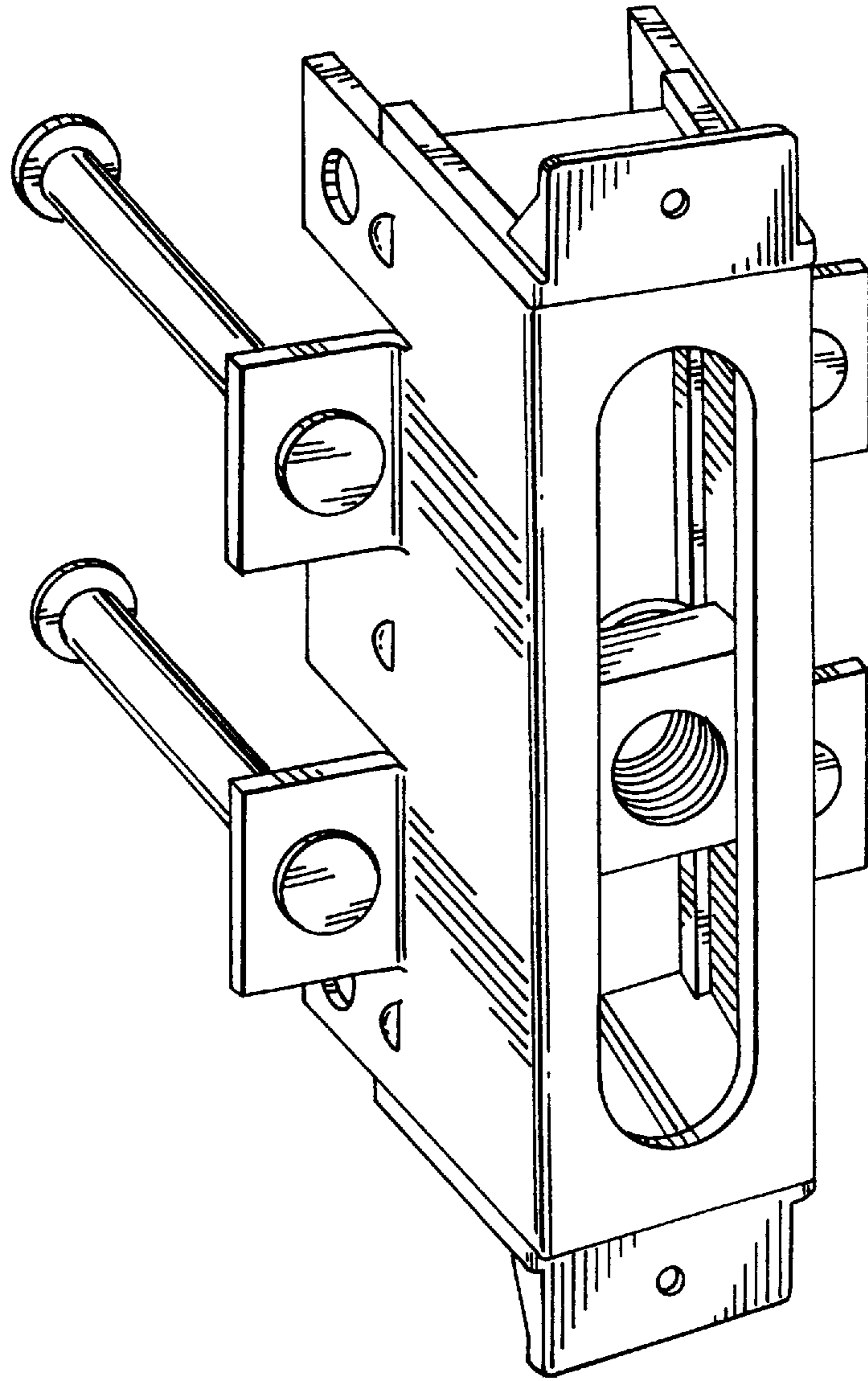


FIG. 1

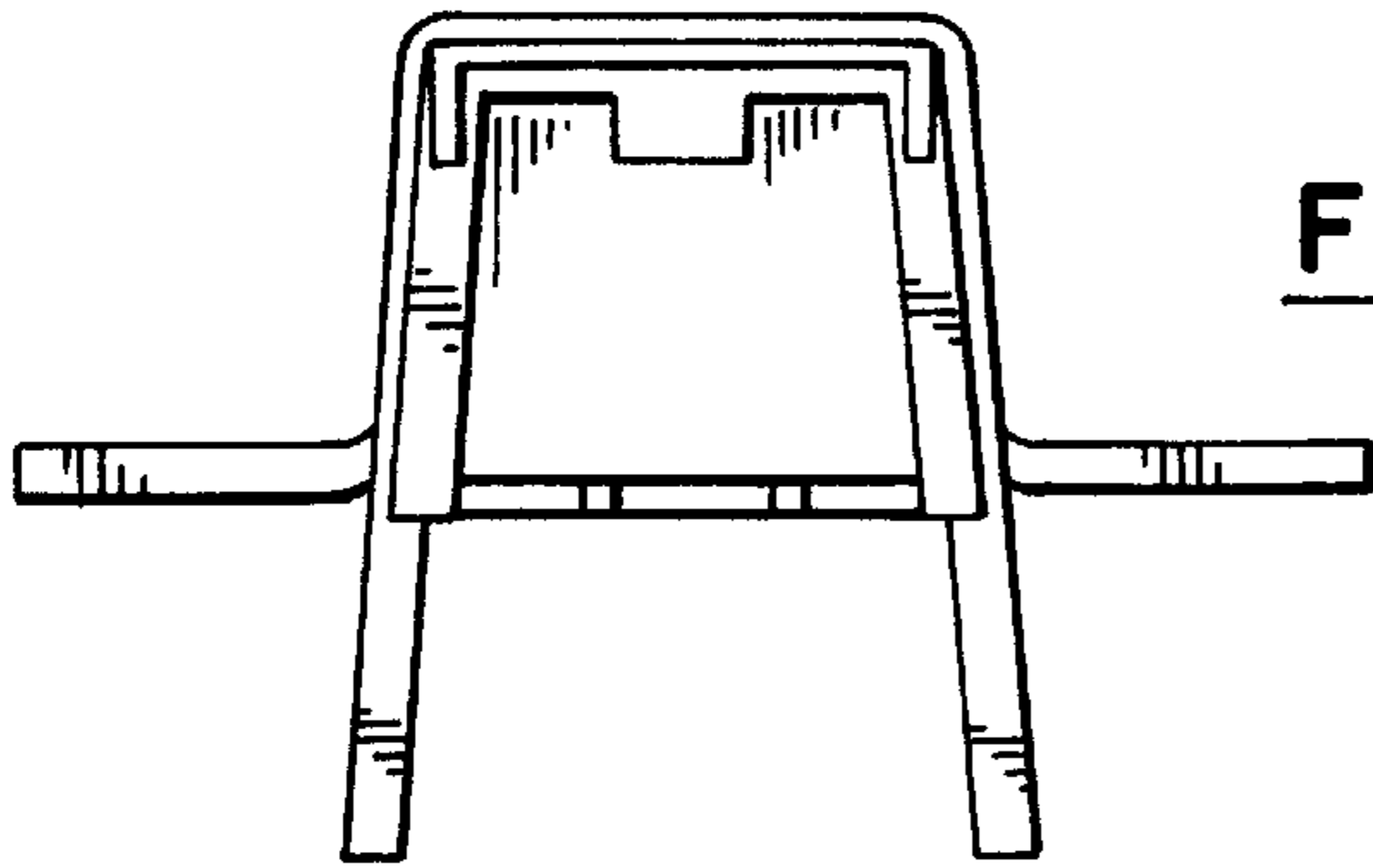


FIG. 2

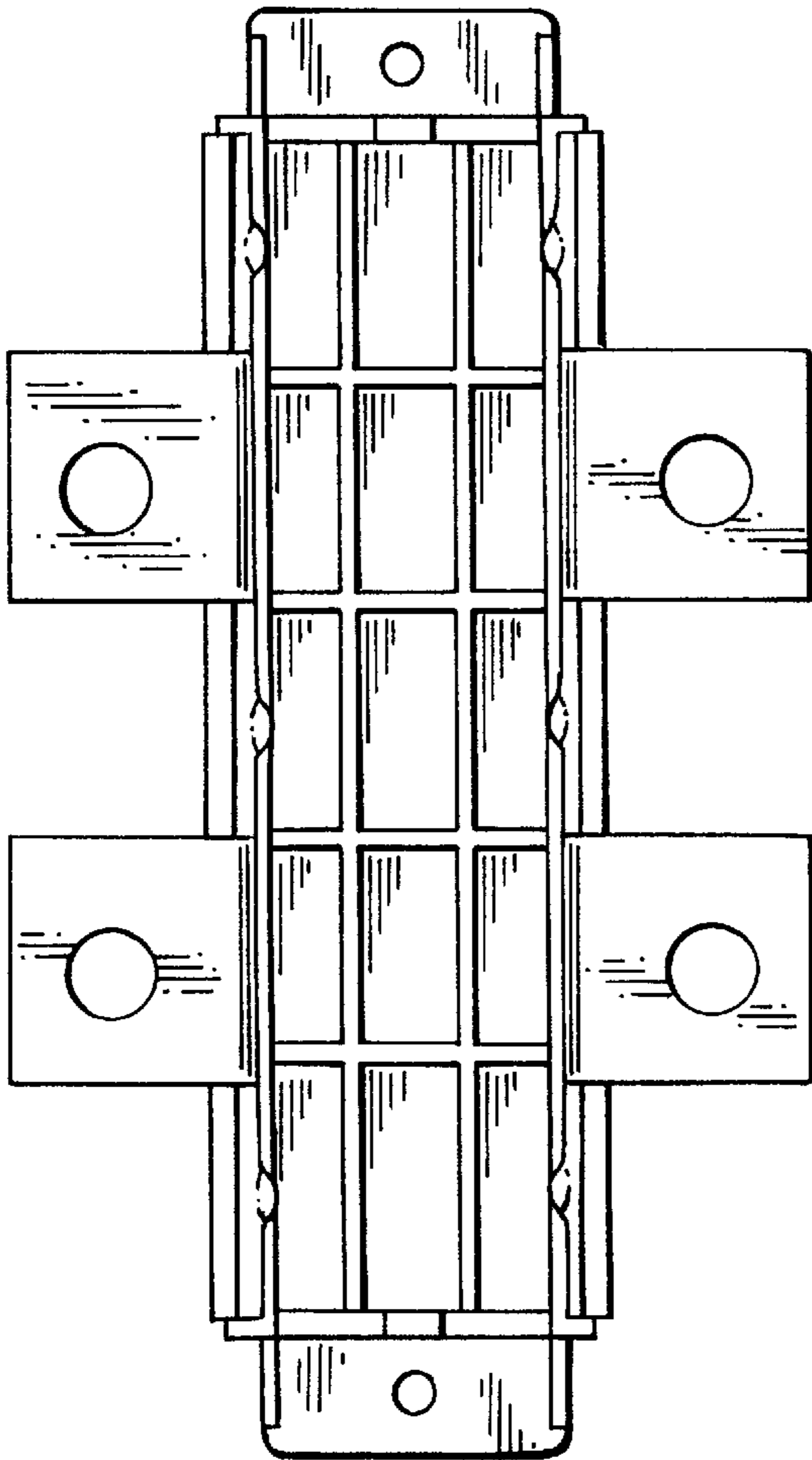


FIG. 4

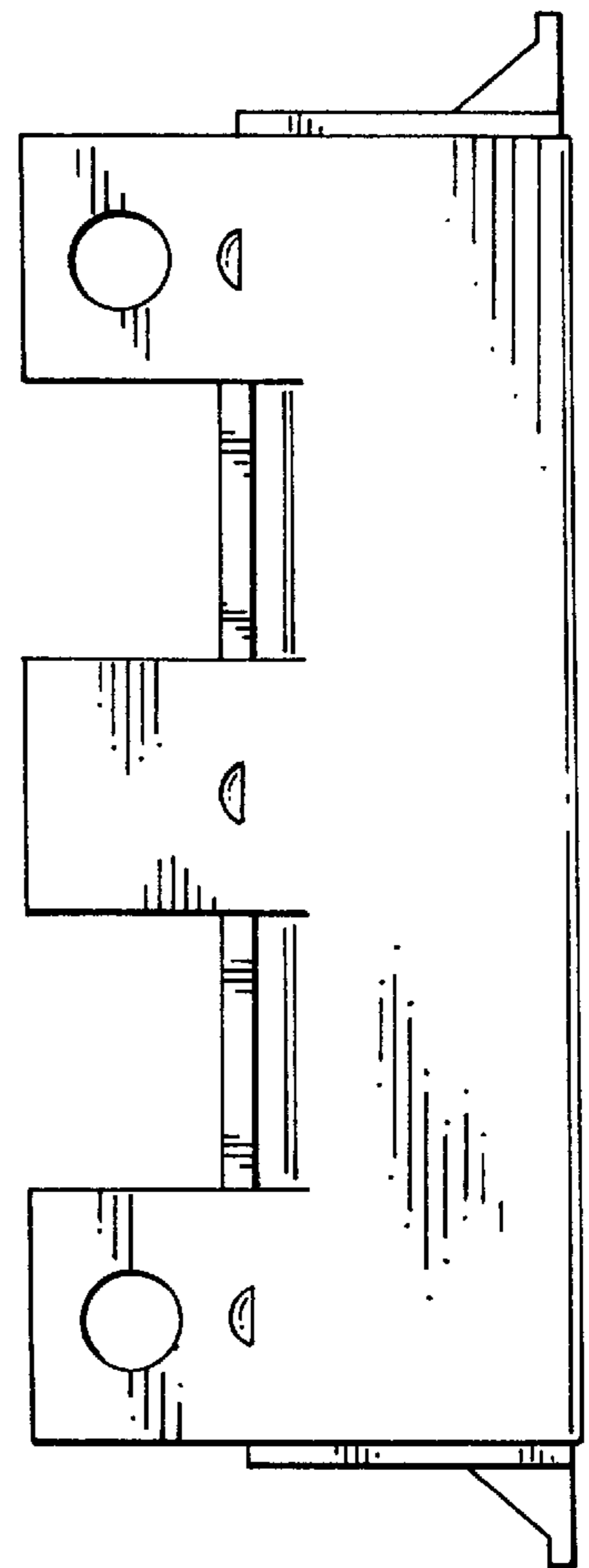


FIG. 3