



US00D406522S

# United States Patent [19] Ling

[11] **Patent Number: Des. 406,522**

[45] **Date of Patent: \*\*Mar. 9, 1999**

[54] **COMBINATION PAD LOCK**

3,750,431 8/1973 Atkinson ..... 70/41 X  
4,444,029 4/1984 Remington ..... 70/25 X

[76] **Inventor: Renny Tse-Haw Ling, C/O Sinox Co., Ltd. P.O. Box 96-156, Taipei, Taiwan**

*Primary Examiner*—Brian N. Vinson

[\*\*] **Term: 14 Years**

[57] **CLAIM**

[21] **Appl. No.: 82,653**

The ornamental design for combination padlock, as shown and described.

[22] **Filed: Jan. 29, 1998**

### DESCRIPTION

[51] **LOC (6) Cl. .... 08-07**

[52] **U.S. Cl. .... D8/334**

[58] **Field of Search ..... D8/333, 335; 70/14, 70/20-22, 24-29, 31-35, 38 R, 41-47**

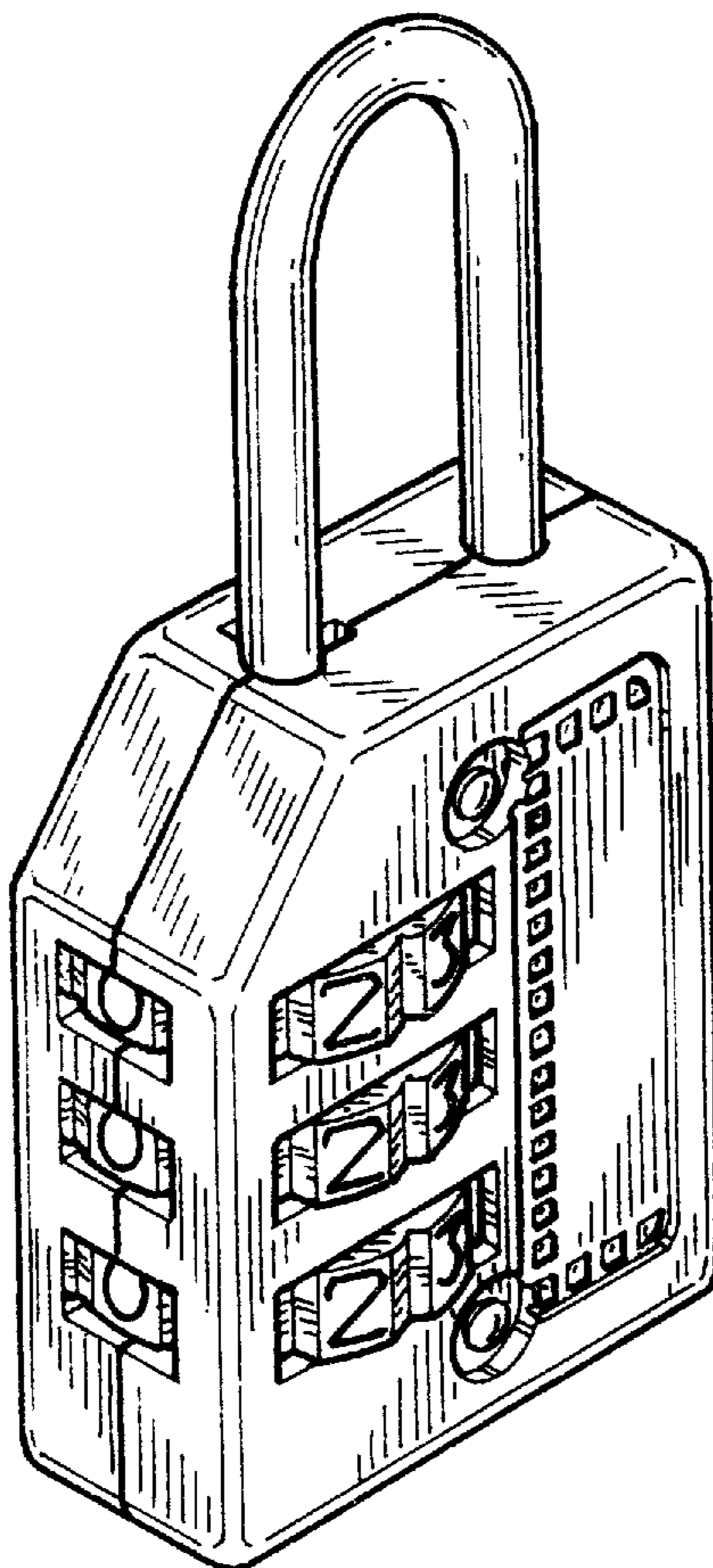
FIG. 1 is a perspective view of a combination padlock showing my new design;  
FIG. 2 is a left side elevational view;  
FIG. 3 is a right side elevational view;  
FIG. 4 is a rear elevational view;  
FIG. 5 is a front elevational view;  
FIG. 6 is a top plan view; and,  
FIG. 7 is a bottom plan view.

### [56] **References Cited**

#### U.S. PATENT DOCUMENTS

- D. 294,453 3/1988 Ling ..... D8/334
- D. 346,948 5/1994 Pedlar ..... D8/334
- D. 372,187 7/1996 Ling ..... D8/334

**1 Claim, 4 Drawing Sheets**



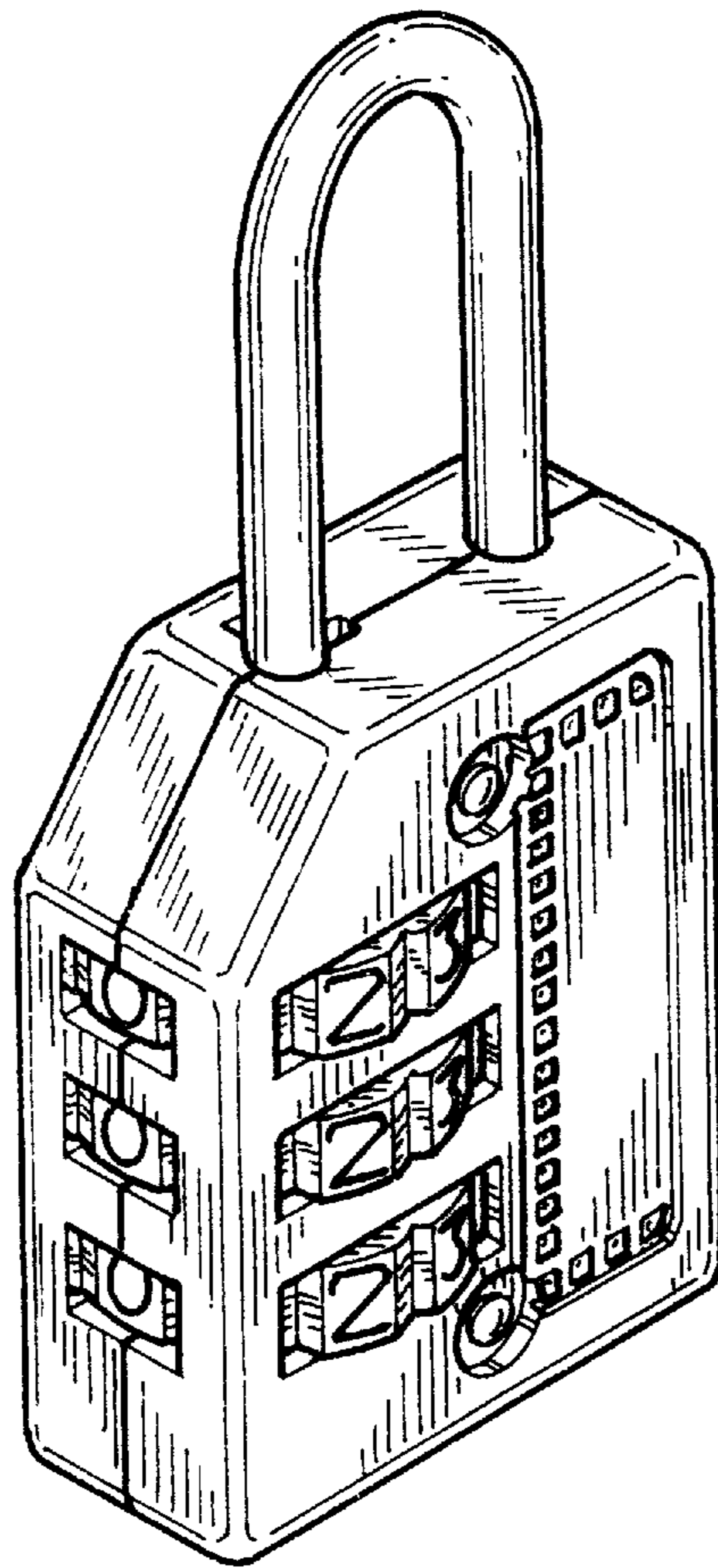


FIG. 1

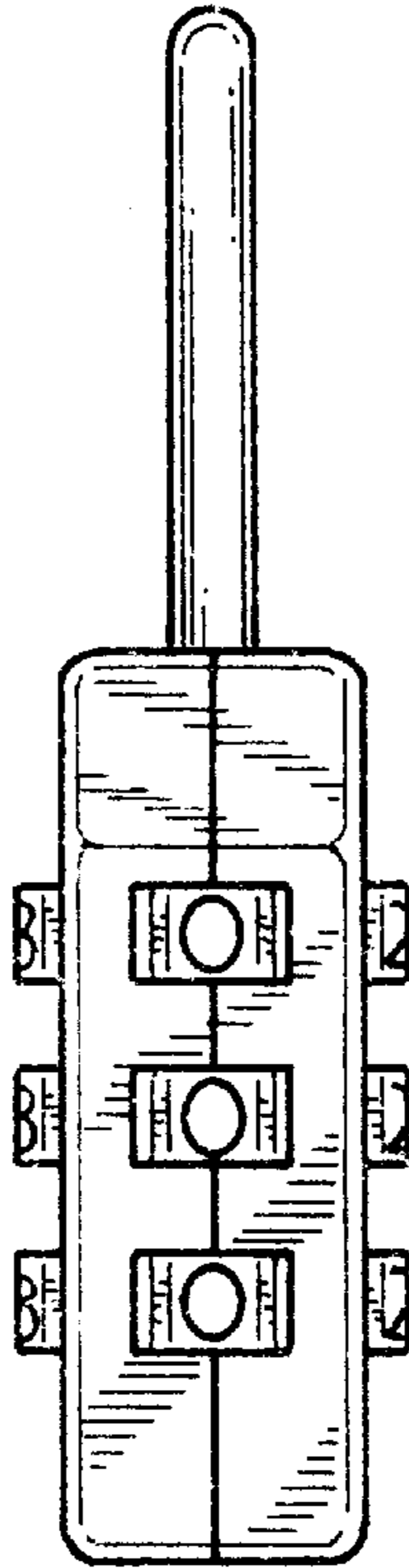


FIG. 2

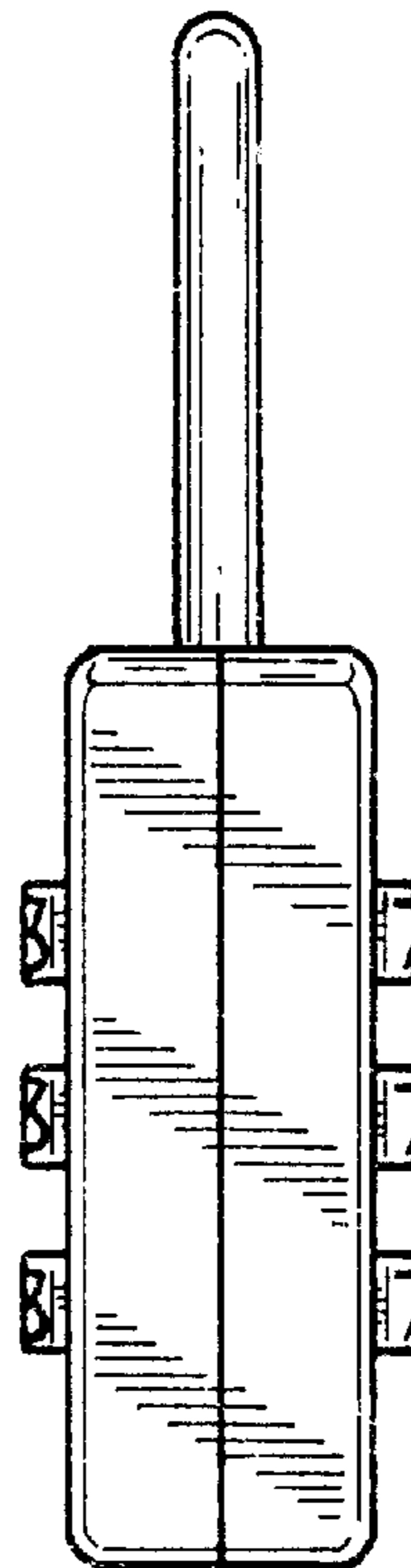


FIG. 3

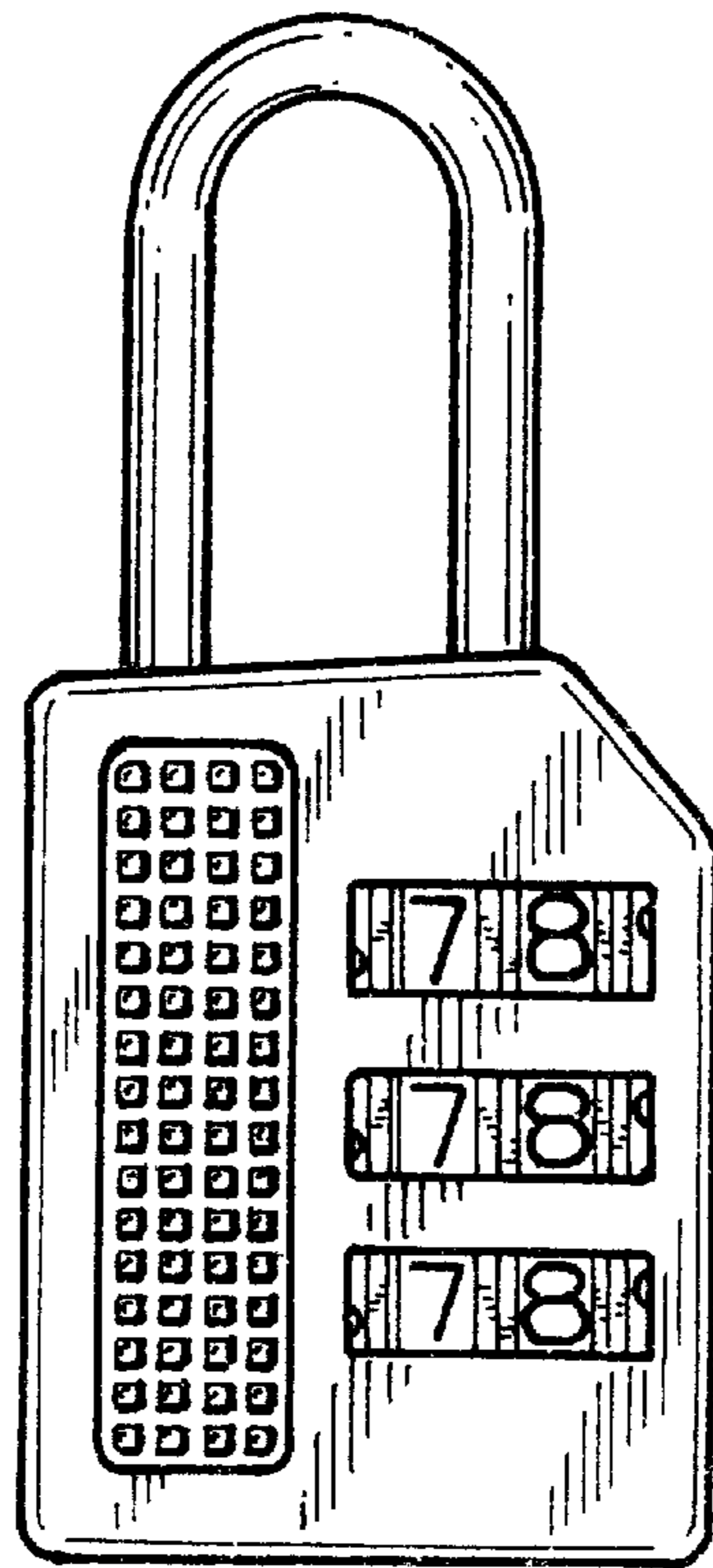


FIG. 4

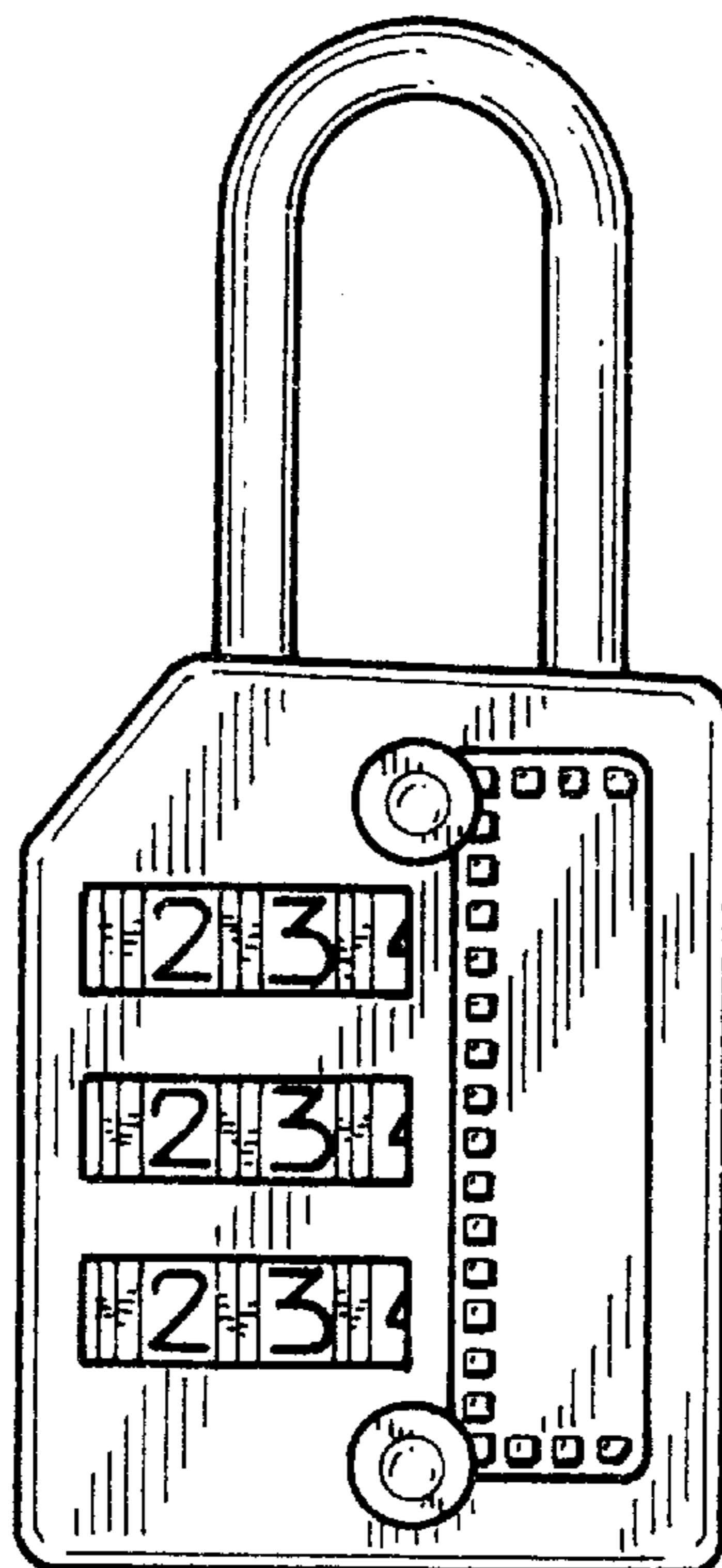


FIG. 5

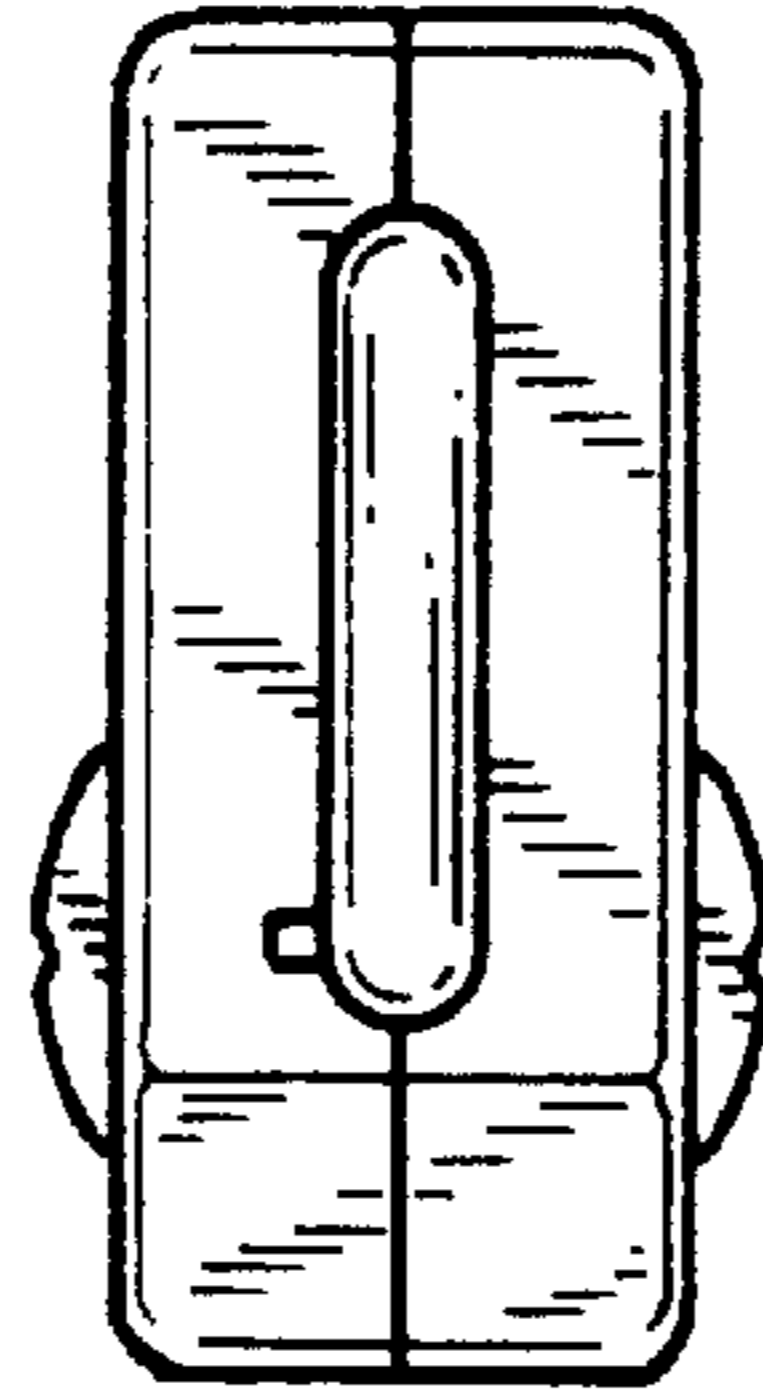


FIG. 6

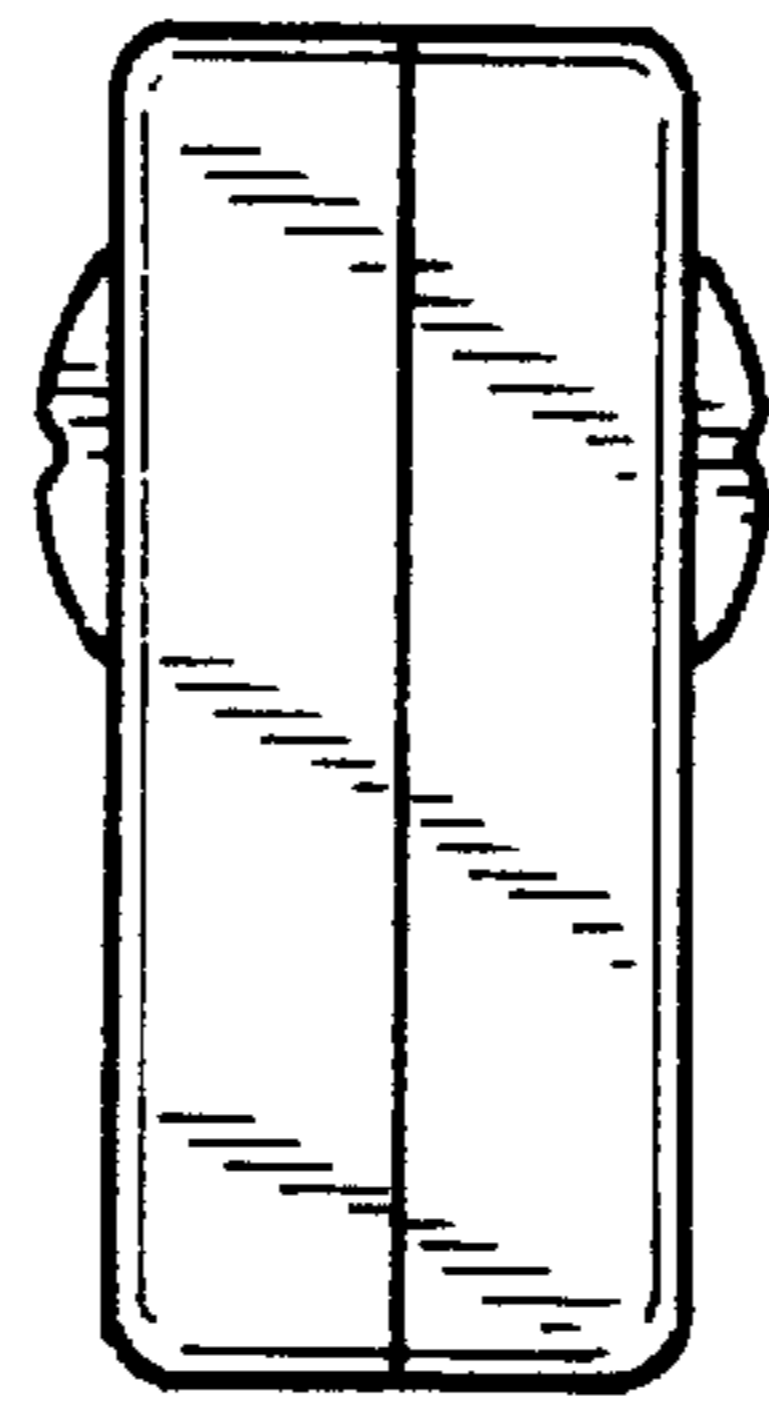


FIG. 7