



US00D406519S

United States Patent [19]
White

[11] **Patent Number: Des. 406,519**

[45] **Date of Patent: **Mar. 9, 1999**

[54] **OFFSET REVERSIBLE RATCHET HANDLE FOR INSTALLING AND REMOVING FASTENERS**

2,629,414 2/1953 Stoner et al. 81/35
5,511,452 4/1996 Edmonds 81/73

[76] Inventor: **Scot P. White**, 3121 Oak Dr.,
Dickinson, Tex. 77539

Primary Examiner—Freda Nunn
Attorney, Agent, or Firm—Kenneth A. Roddy

[**] Term: **14 Years**

[57] **CLAIM**

[21] Appl. No.: **79,129**

The ornamental design for an offset reversible ratchet handle for installing and removing fasteners, as shown and described.

[22] Filed: **Nov. 10, 1997**

DESCRIPTION

[51] **LOC (6) Cl.** **08-05**

FIG. 1 is a perspective view of an offset reversible ratchet handle for installing and removing fasteners showing my new design from the rear, the broken lines showing a flathead screwdriver bit are for illustrative purposes only and forms no part of the claimed design;

[52] **U.S. Cl.** **D8/107; D8/59; D8/25**

[58] **Field of Search** D8/25, 107, 59;
81/35, 60, 73, 124.4, 177.2; 140/118

FIG. 2 is a side elevation thereof the opposite side view is a mirror image;

[56] **References Cited**

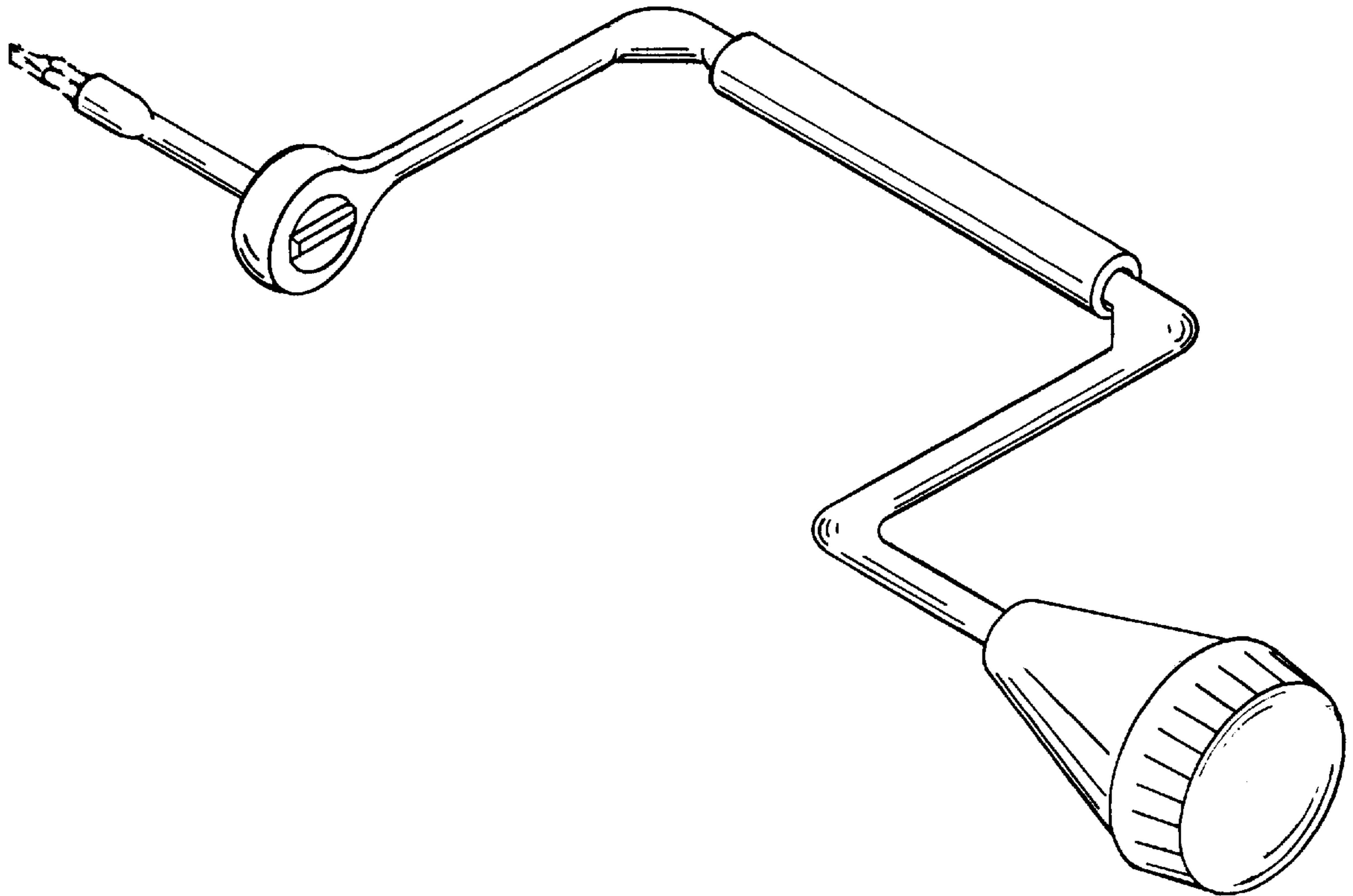
U.S. PATENT DOCUMENTS

D. 260,961 9/1981 Leeaug D8/107
D. 345,288 3/1994 Hubal et al. D8/59
1,120,575 12/1914 Wertz 140/118

FIG. 3 is a top plan view thereof; and,

FIG. 4 is a bottom plan view thereof.

1 Claim, 2 Drawing Sheets



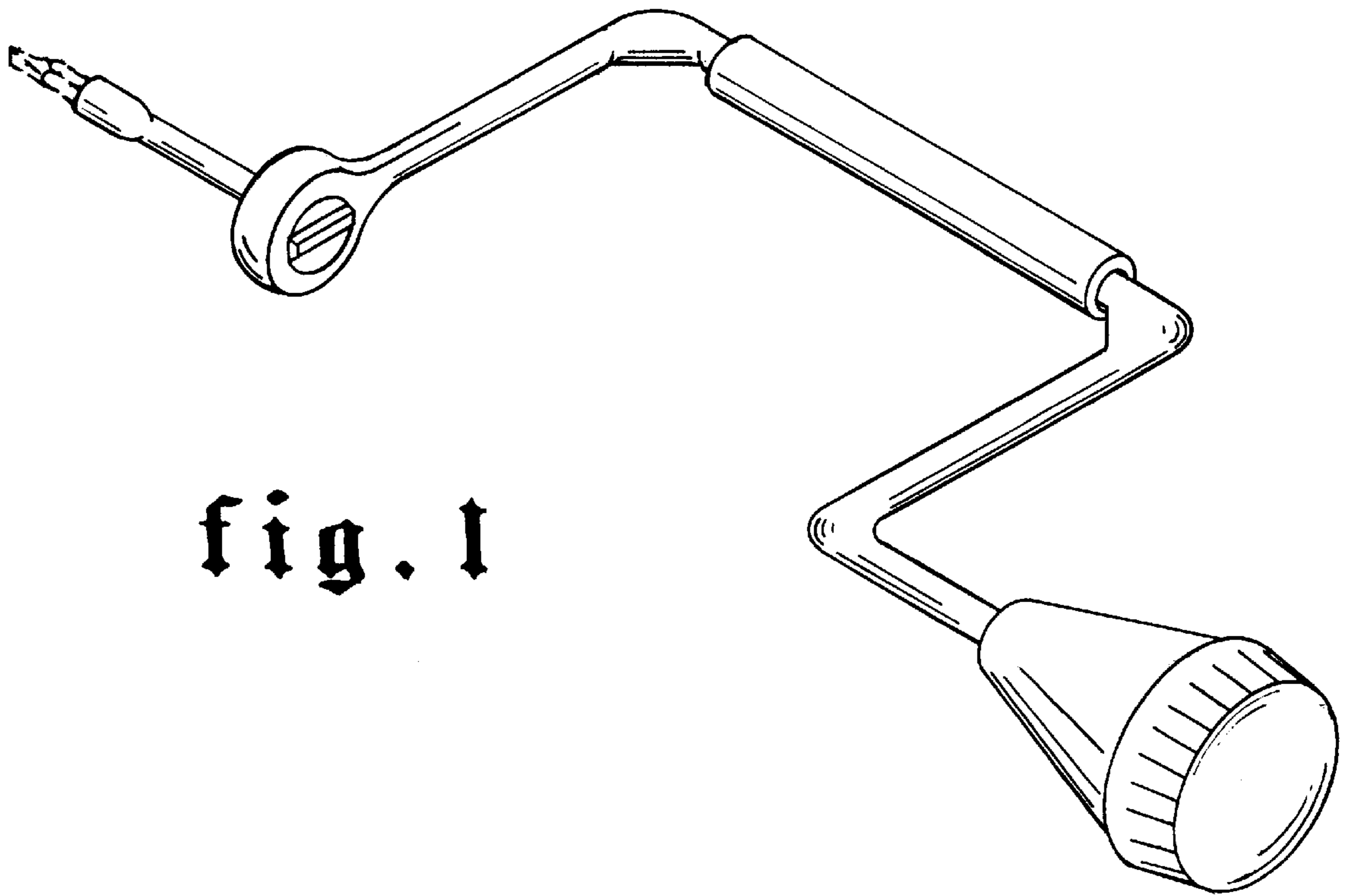


fig. 1

fig. 3

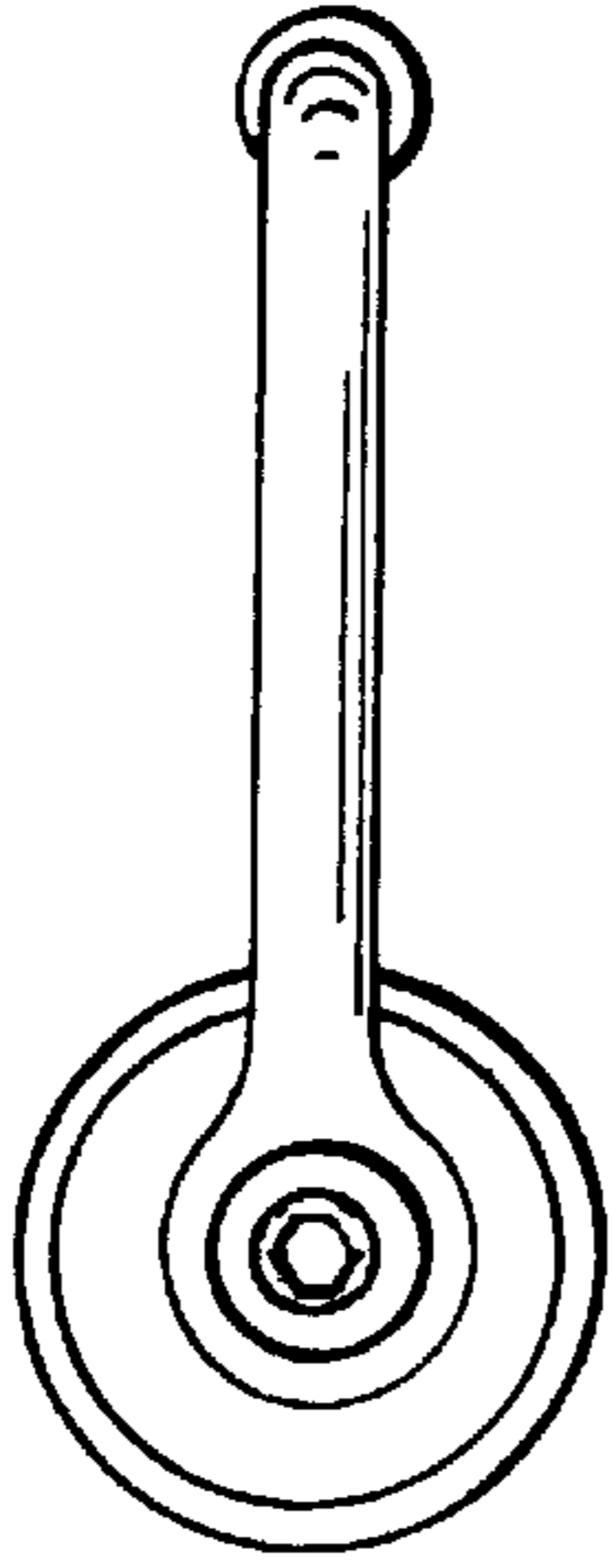


fig. 4

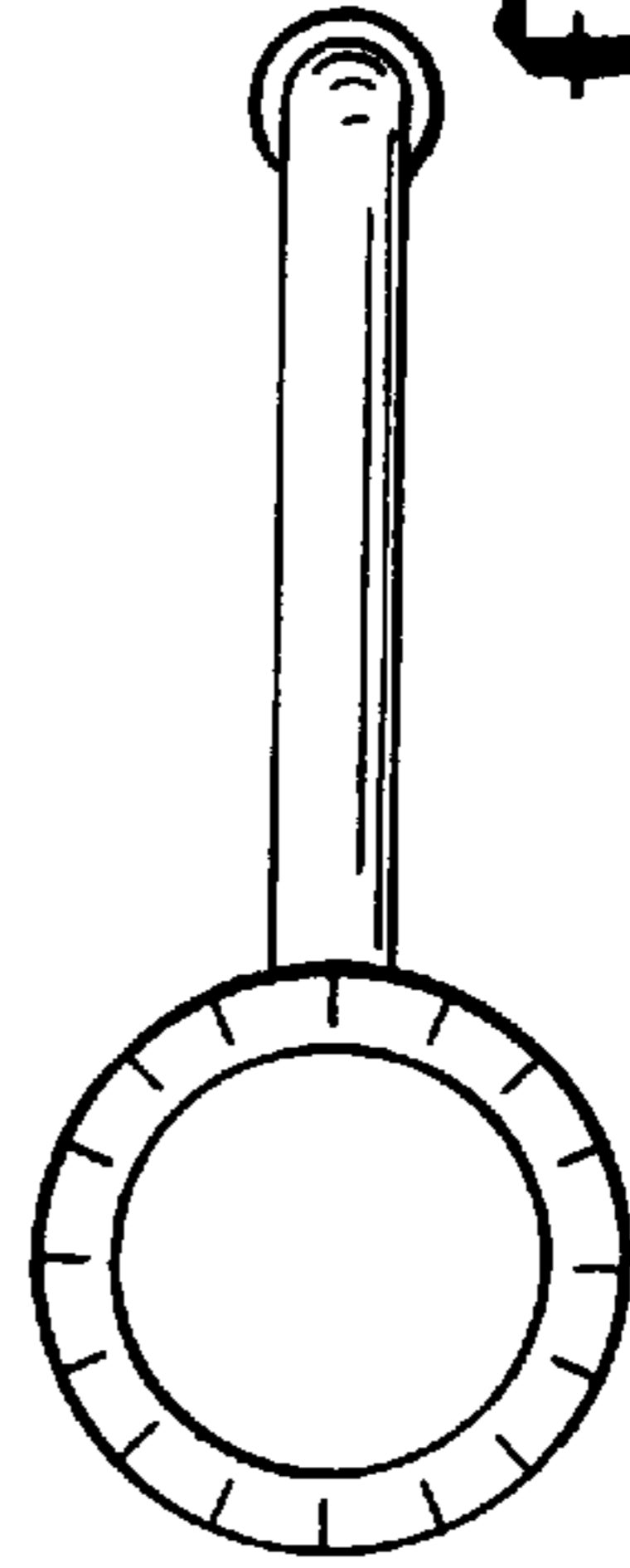


fig. 2

