



US00D406513S

United States Patent [19] Knapp

[11] **Patent Number:** **Des. 406,513**

[45] **Date of Patent:** ****Mar. 9, 1999**

[54] **MULTI TOOL HOLDER**

[76] **Inventor:** **Milton L. Knapp**, P.O. Box 3840,
Quartzsite, Ariz. 85359

[**] **Term:** **14 Years**

[21] **Appl. No.:** **84,037**

[22] **Filed:** **Feb. 23, 1998**

[51] **LOC (6) Cl.** **08-05**

[52] **U.S. Cl.** **D8/71**

[58] **Field of Search** D8/14.1, 30, 71;
211/70.6, 60.1, 181.1; 219/242, 259; 222/173;
248/176

[56] **References Cited**

U.S. PATENT DOCUMENTS

- D. 255,771 7/1980 Cruz .
- D. 262,862 2/1982 Lyle .
- D. 303,611 9/1989 Spirk, Jr. et al. D8/71 X
- D. 306,521 3/1990 Kenny D8/71 X

- 4,333,623 6/1982 May .
- 4,998,698 3/1991 Martison .
- 5,429,331 7/1995 Massena .

Primary Examiner—Terry A. Wallace

[57] **CLAIM**

The ornamental design for a multi tool holder, as shown and described.

DESCRIPTION

FIG. 1 is a perspective view of a multi tool holder showing my new design;
 FIG. 2 is a perspective view thereof with the drip cup removed for clarity of illustration;
 FIG. 3 is a side elevation view thereof, the opposite side being a mirror image;
 FIG. 4 is a top plan view thereof; and,
 FIG. 5 is a front elevation view thereof, the opposite side being a mirror image.

1 Claim, 5 Drawing Sheets

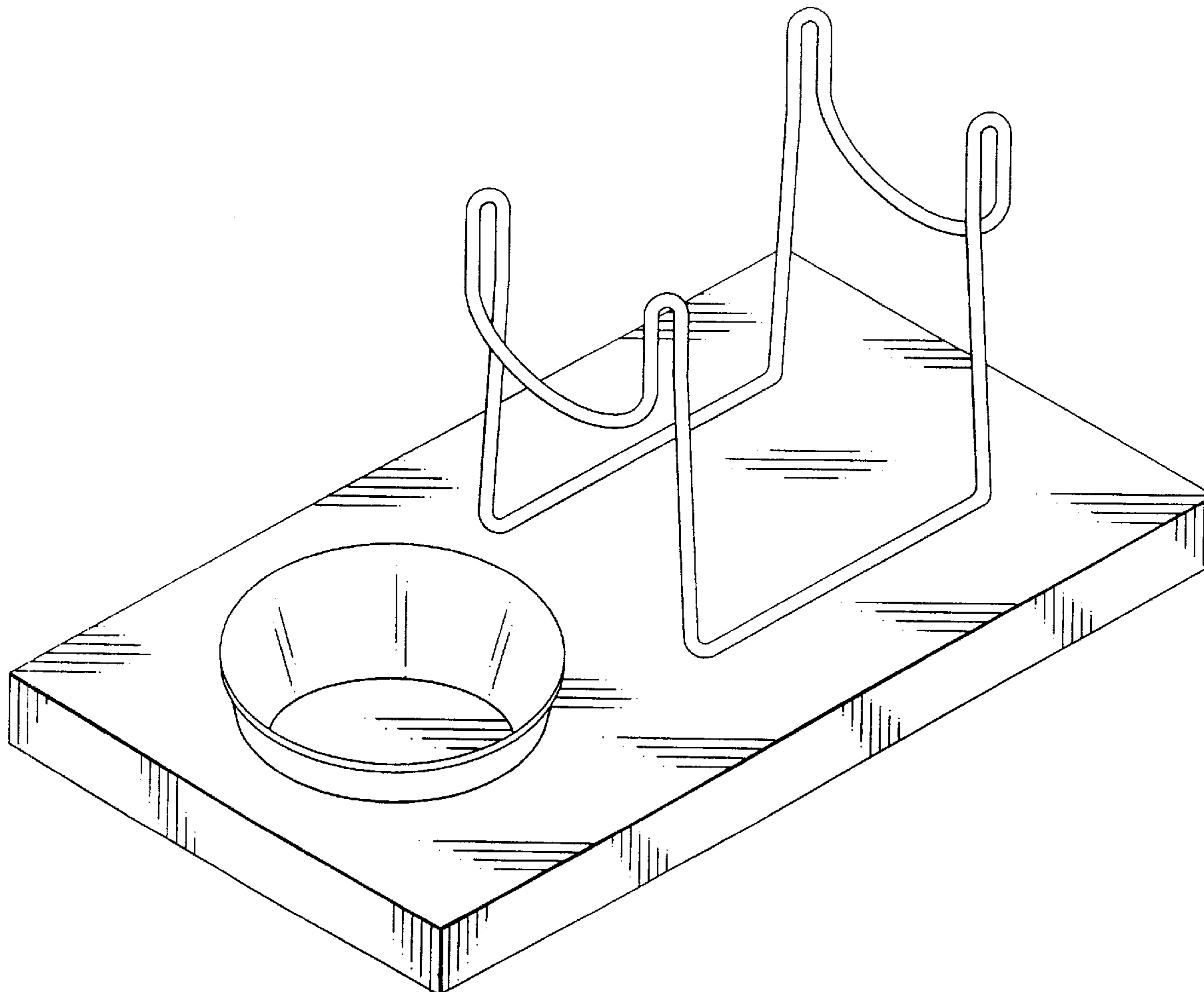


FIG. 1

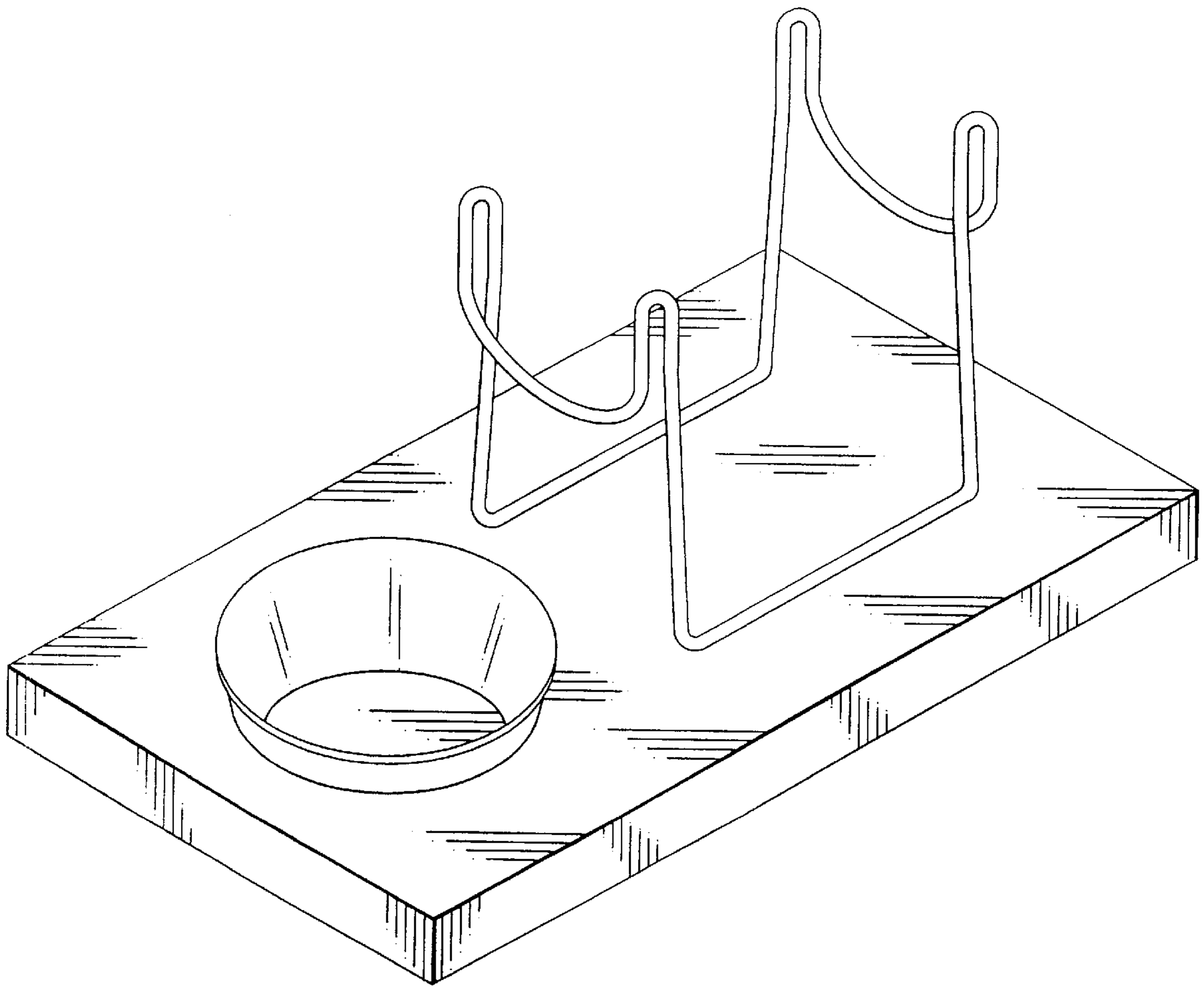


FIG. 2

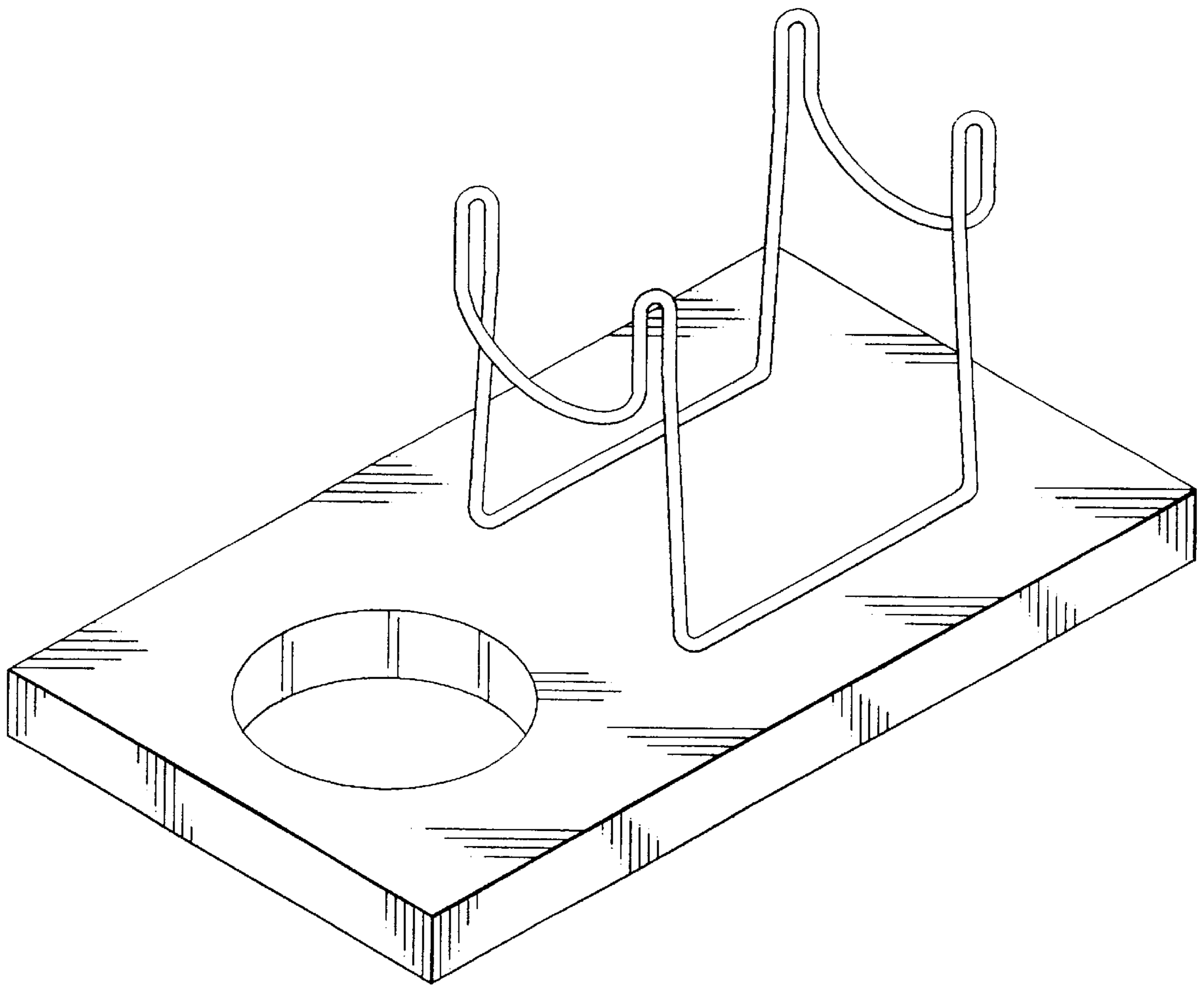


FIG. 3

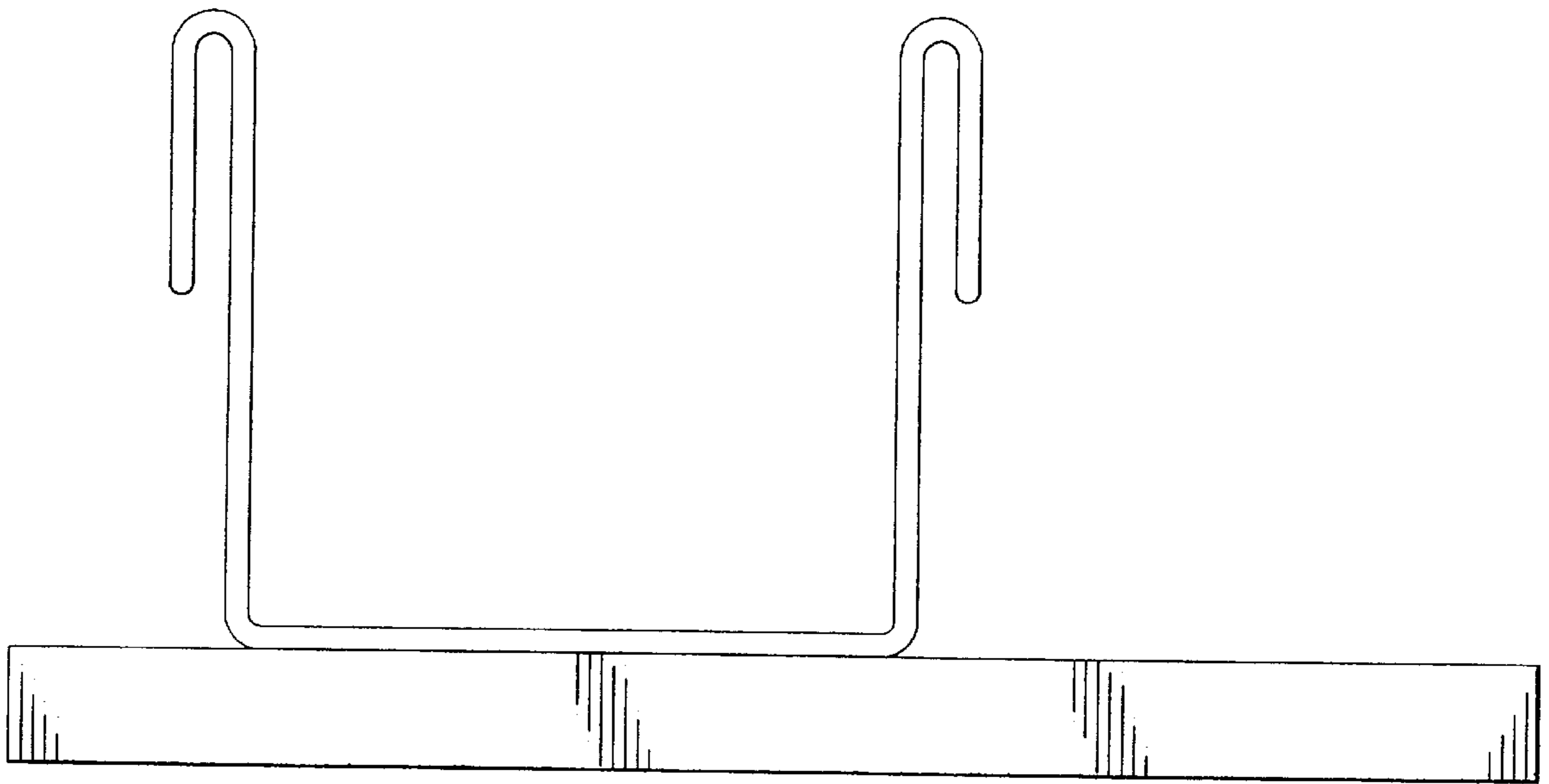


FIG. 4

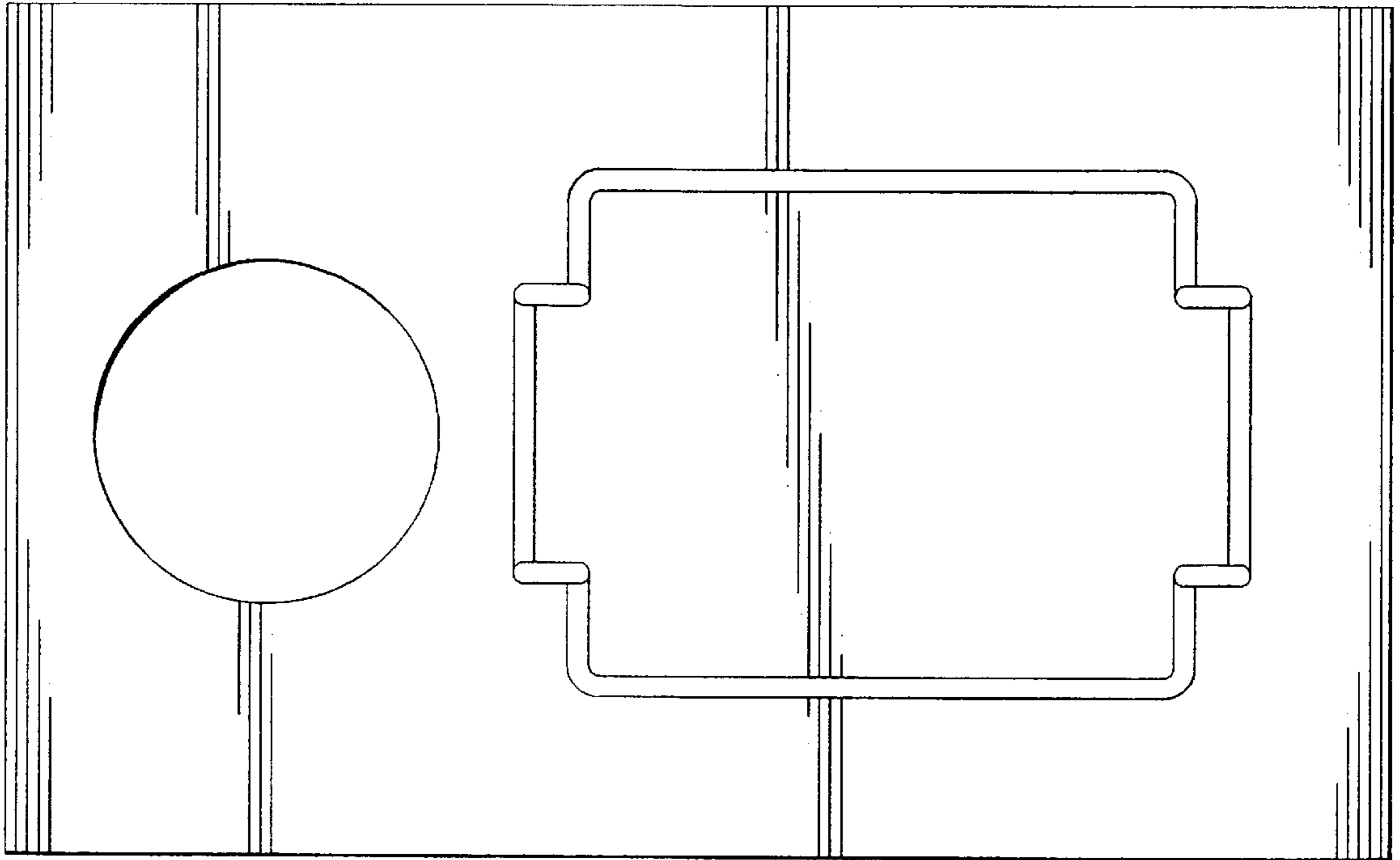


FIG. 5

