



US00D406510S

United States Patent [19]

Nilsson et al.

[11] **Patent Number: Des. 406,510**

[45] **Date of Patent: **Mar. 9, 1999**

[54] **CUTTING MACHINE**

5,009,011 4/1991 Johansson 30/389
5,038,474 8/1991 Larsson et al. 30/389 X

[75] Inventors: **Dan Nilsson**, Sjuntorp; **Ove Donnerdal**, Sävadalen; **Håkan Larsson**, Mölndal, all of Sweden

Primary Examiner—Antoine Duval Davis
Attorney, Agent, or Firm—Michael D. Bednarek; Kilpatrick Stockton LLP

[73] Assignee: **Aktiebolaget Electrolux (publ)**, Stockholm, Sweden

[57] **CLAIM**

[**] Term: **14 Years**

The ornamental design for a cutting machine, as shown.

[21] Appl. No.: **80,359**

DESCRIPTION

[22] Filed: **Dec. 2, 1997**

[30] **Foreign Application Priority Data**

Jun. 25, 1997 [SE] Sweden 97-1466

[51] **LOC (6) Cl.** **08-03**

[52] **U.S. Cl.** **D8/66**

[58] **Field of Search** D15/127; D8/66;
30/375-377, 388-391

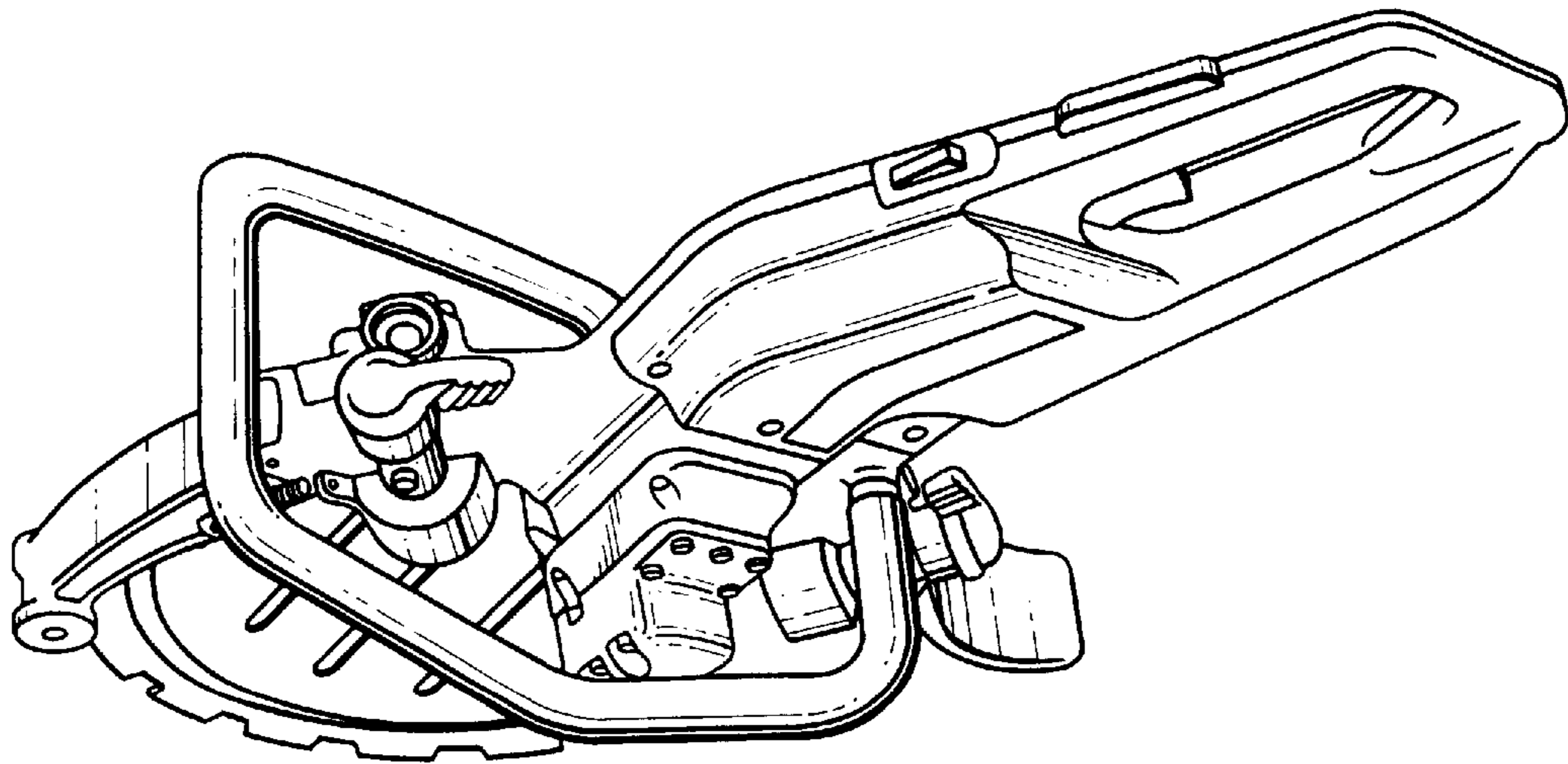
FIG. 1 is a top and left hand side view of a cutting machine in accordance with the present invention;
FIG. 2 is a bottom and right hand side view of cutting machine in accordance with the present invention;
FIG. 3 is a top view of a cutting machine in accordance with the present invention;
FIG. 4 is a bottom view of a cutting machine in accordance with the present invention;
FIG. 5 is a right hand side view of a cutting machine in accordance with the present invention; and,
FIG. 6 is a left hand side view of a cutting machine in accordance with the present invention.

[56] **References Cited**

U.S. PATENT DOCUMENTS

4,352,241 10/1982 Johansson 30/389 X

1 Claim, 3 Drawing Sheets



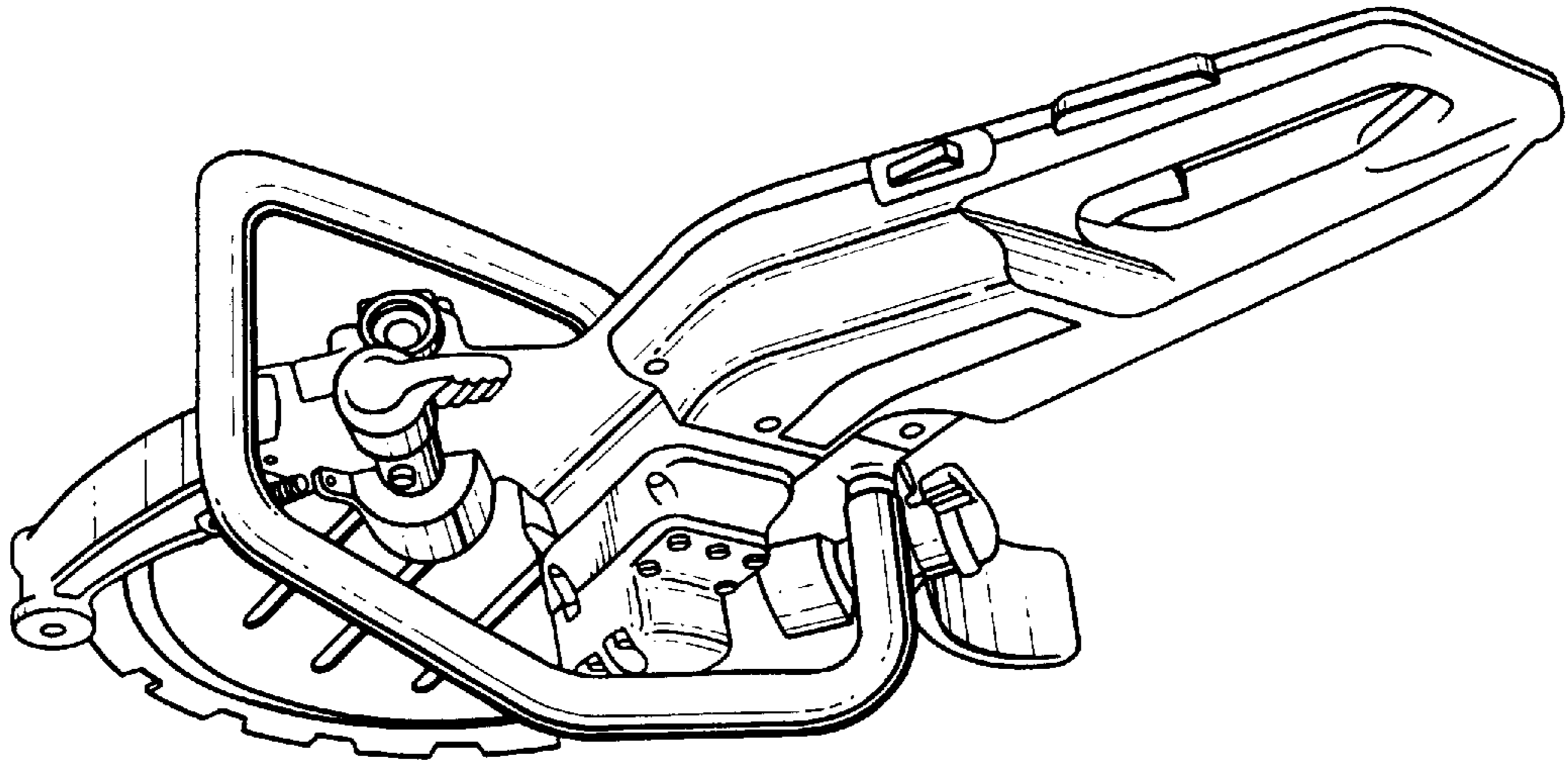


Fig. 1

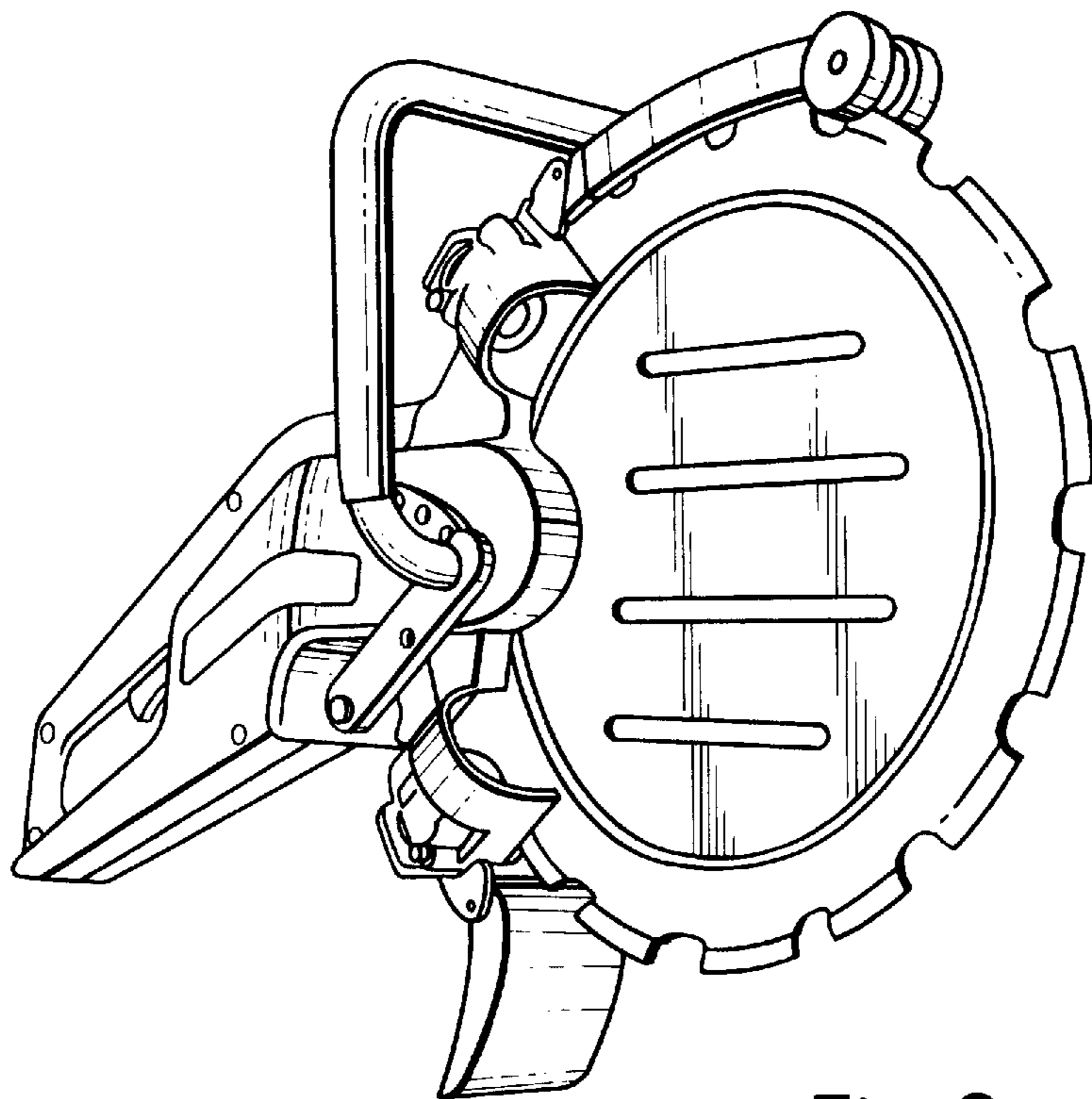


Fig. 2

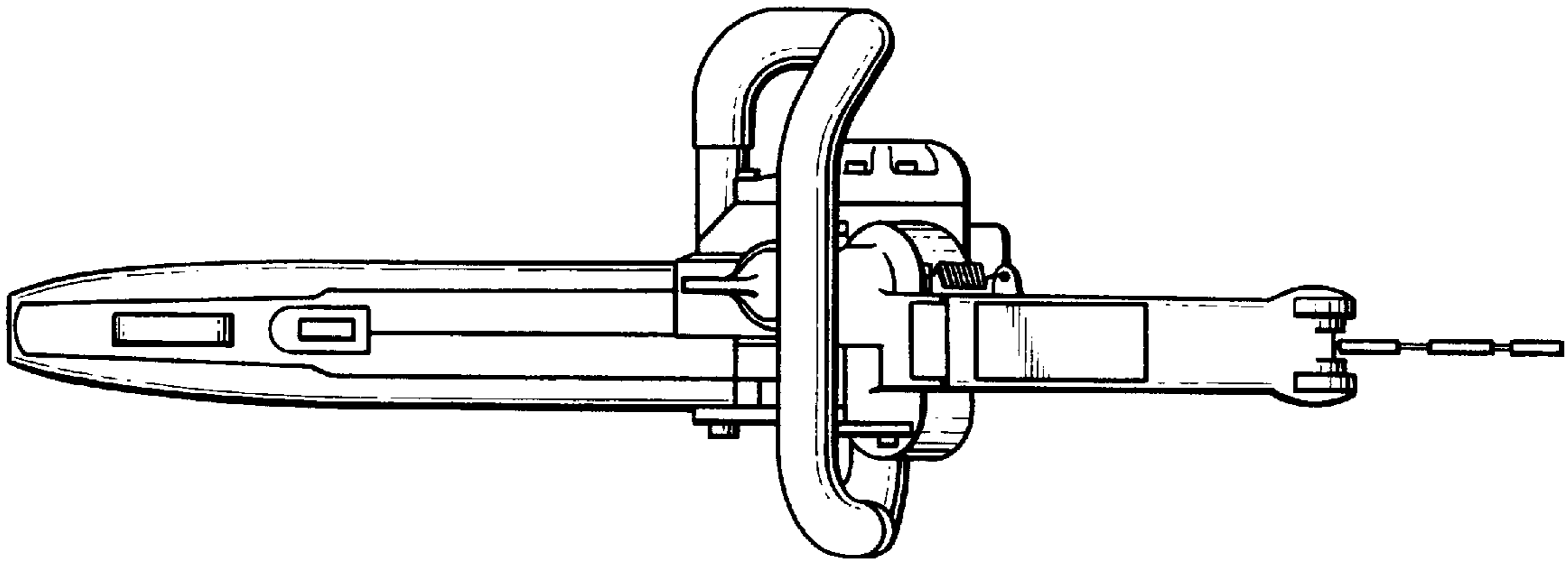


Fig.3

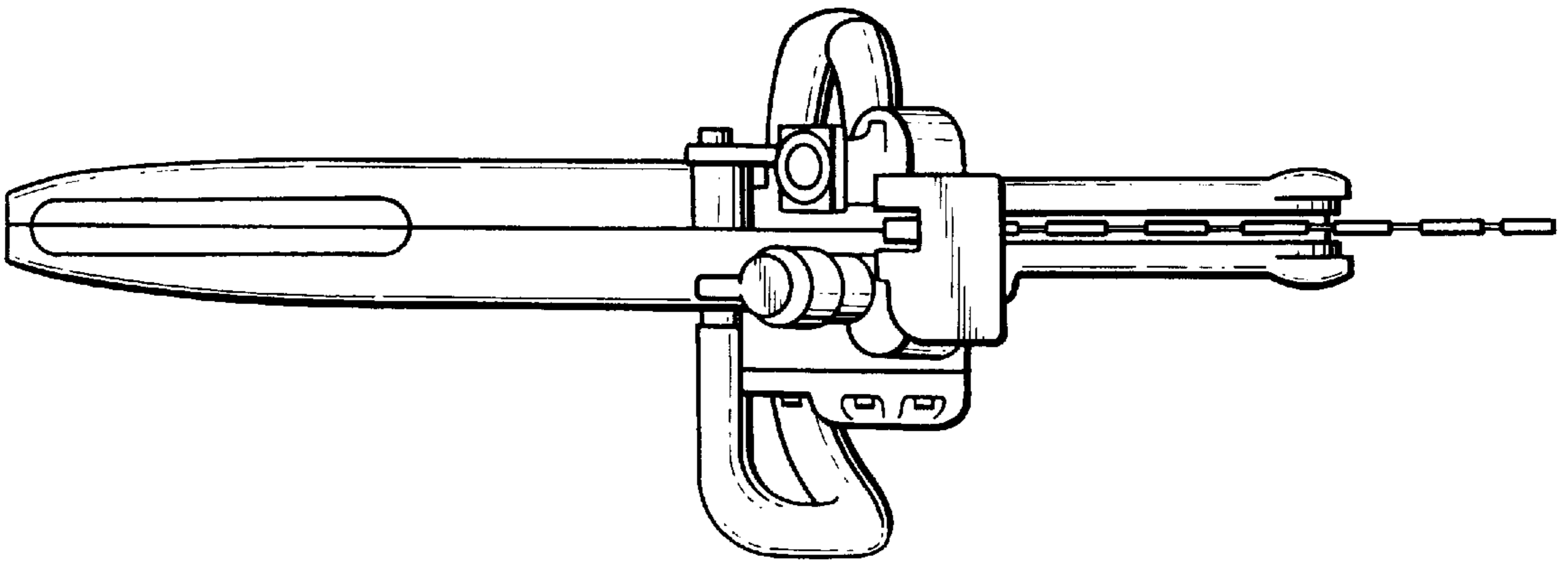


Fig.4

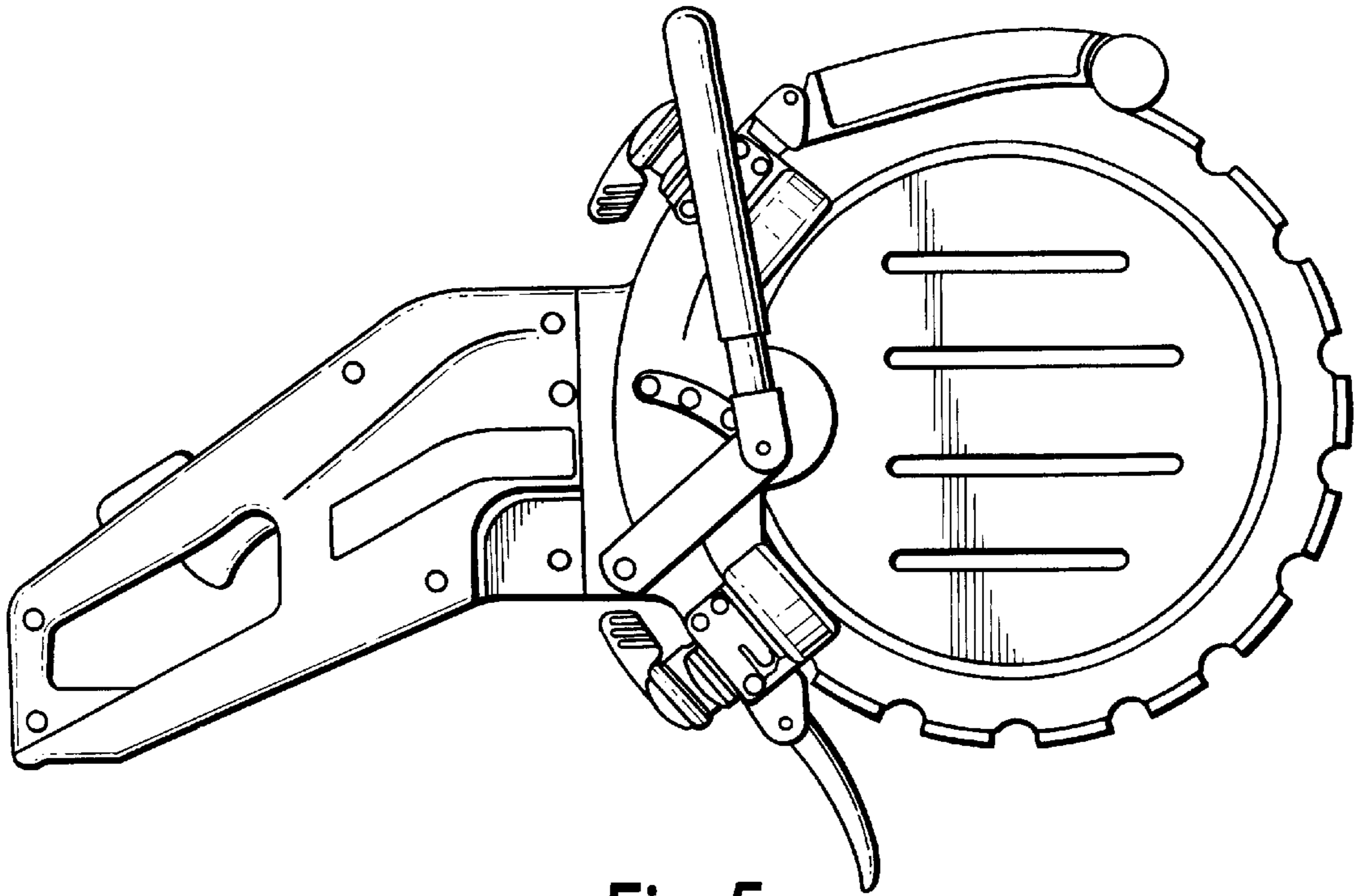


Fig. 5

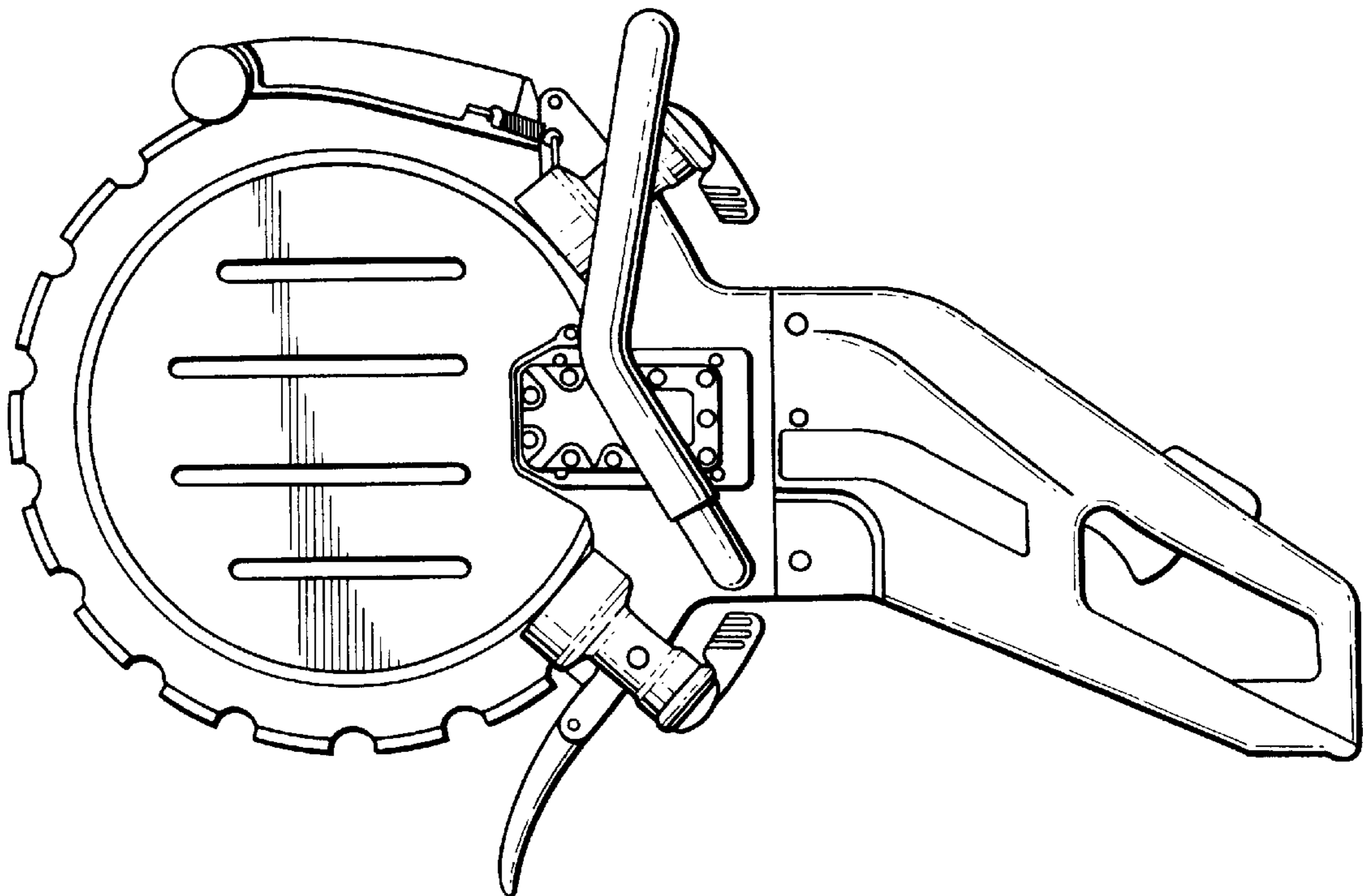


Fig. 6