



US00D406509S

United States Patent [19] Rivera

[11] **Patent Number: Des. 406,509**

[45] **Date of Patent: **Mar. 9, 1999**

[54] **FOLDING TOOL WITH POCKET CLIP**

5,142,721 9/1992 Sessions et al. 7/128
5,212,844 5/1993 Sessions et al. 7/128

[75] Inventor: **Benjamin C. Rivera**, West Linn, Oreg.

OTHER PUBLICATIONS

[73] Assignee: **Leatherman Tool Group, Inc.**,
Portland, Oreg.

Leatherman Tool Group, Inc., "The Original Leatherman
PST II"—Jul. 1995.

[**] Term: **14 Years**

Primary Examiner—Freda Nunn
Attorney, Agent, or Firm—Chernoff, Vilhauer, McClung &
Stenzel, LLP

[21] Appl. No.: **80,040**

[22] Filed: **Nov. 26, 1997**

[57] CLAIM

[51] **LOC (6) Cl.** **08-05**

The ornamental design for a folding tool with pocket clip, as
shown and described.

[52] **U.S. Cl.** **D8/55; D8/105**

[58] **Field of Search** D8/51, 52, 55,
D8/58, 105; 7/106, 107, 117, 127, 128,
130, 118, 133; 81/424, 426, 440, 427.5;
140/117, 118, 121, 139; 30/153, 162, 91.2,
161, 254; 74/127; D19/35, 56

DESCRIPTION

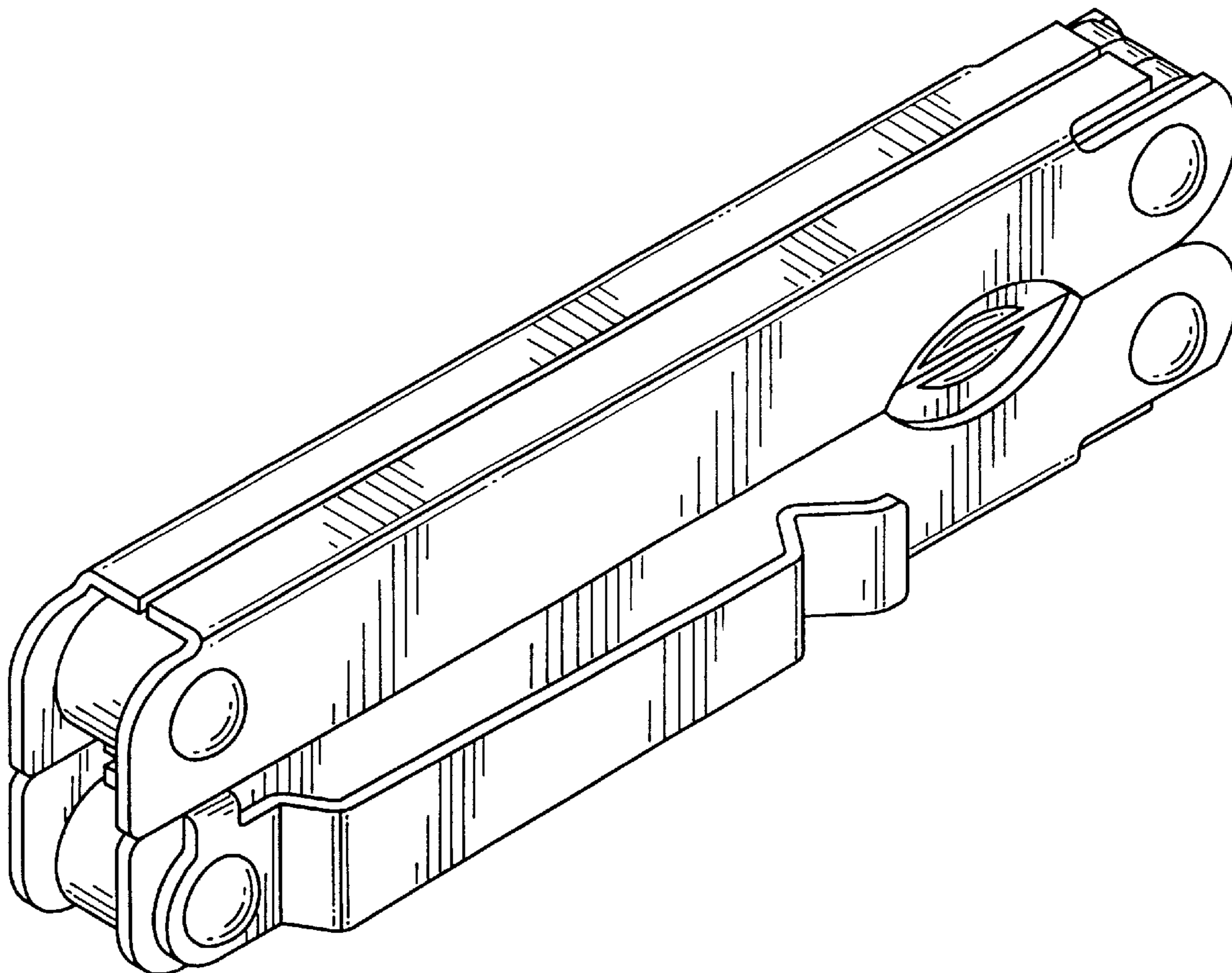
[56] References Cited

U.S. PATENT DOCUMENTS

4,384,499 5/1983 Shockley 81/440
4,744,272 5/1988 Leatherman 81/427.5
4,947,552 8/1990 Barnes 30/161
4,961,239 10/1990 Boyd, Sr. et al. 7/118

FIG. 1 is an isometric view showing a folding tool with
pocket clip incorporating my new design;
FIG. 2 is a front side elevational view thereof;
FIG. 3 is a bottom plan view thereof;
FIG. 4 is a rear side elevational view thereof;
FIG. 5 is a top plan view thereof;
FIG. 6 is a left end elevational view thereof; and,
FIG. 7 is a right end elevational view thereof.

1 Claim, 2 Drawing Sheets



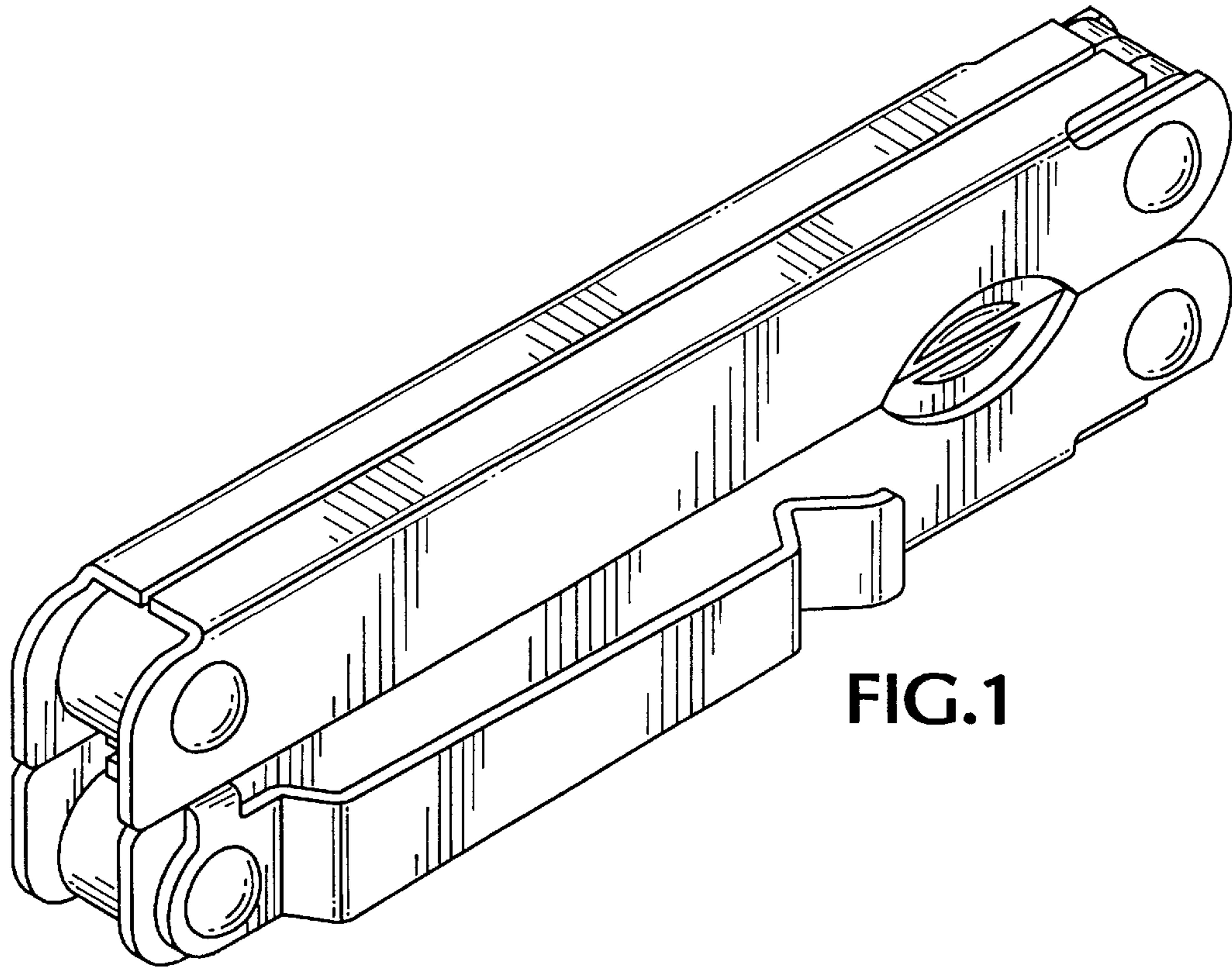


FIG. 1

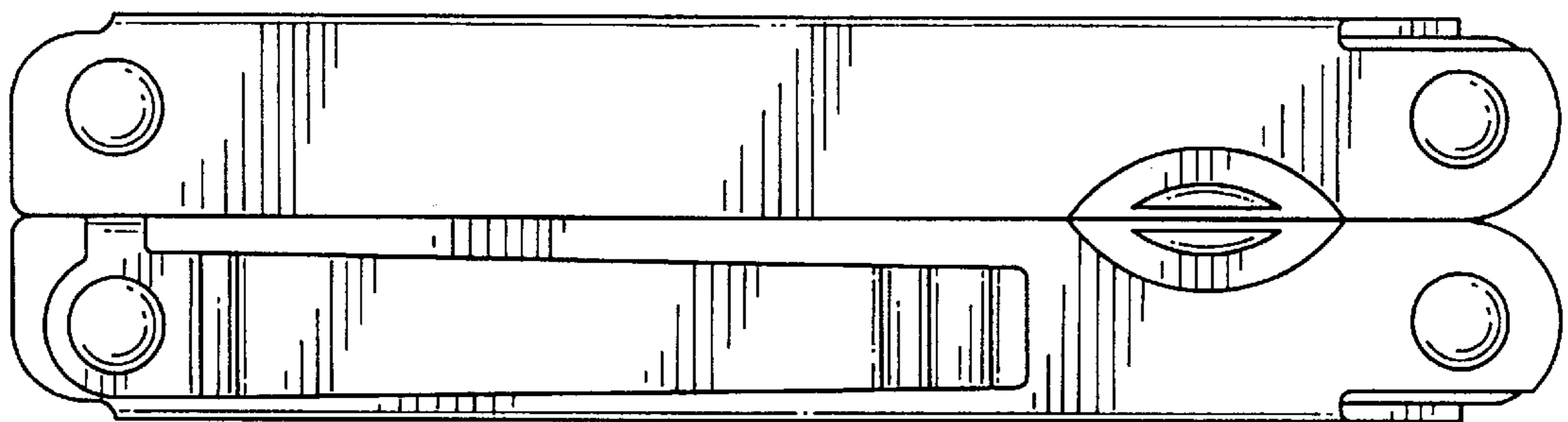


FIG. 2

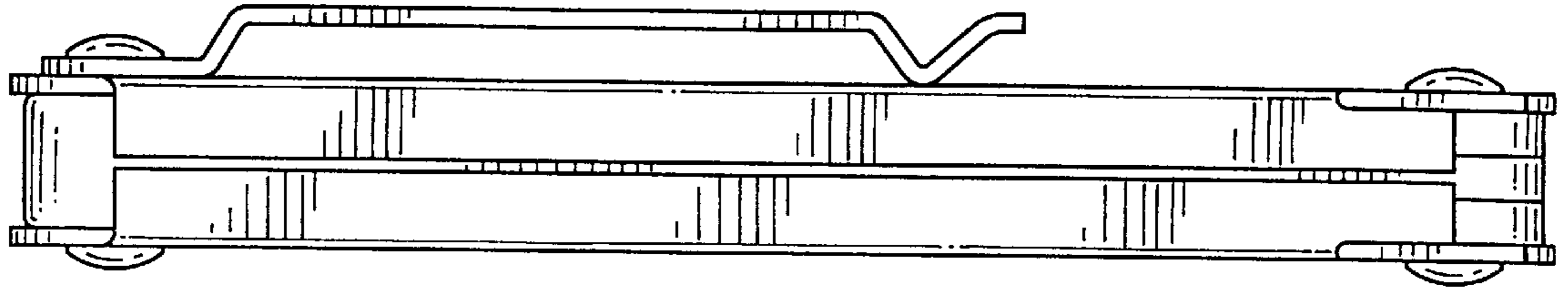


FIG.3

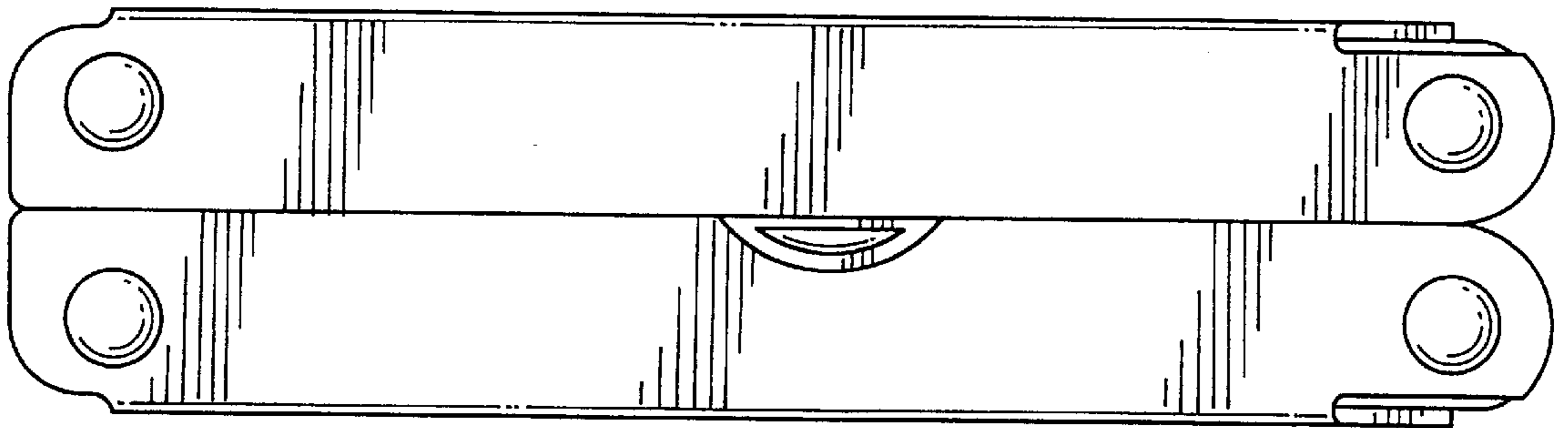


FIG.4

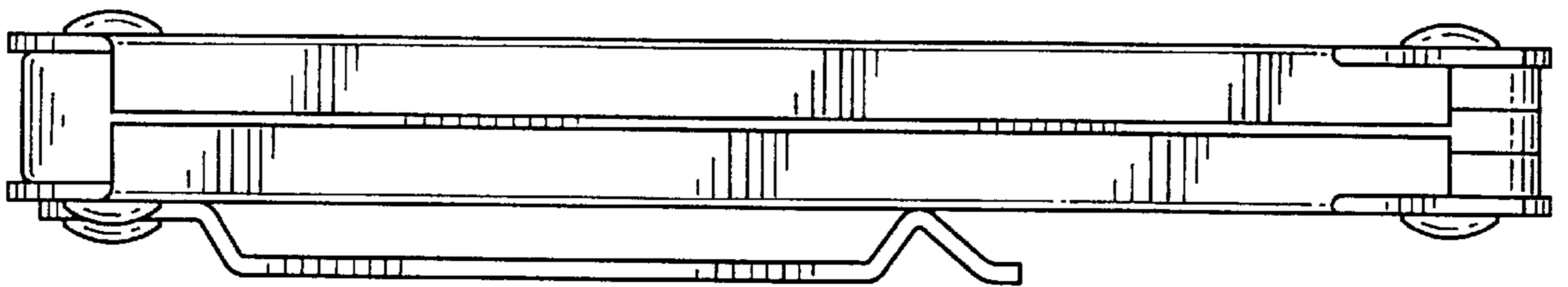


FIG.5

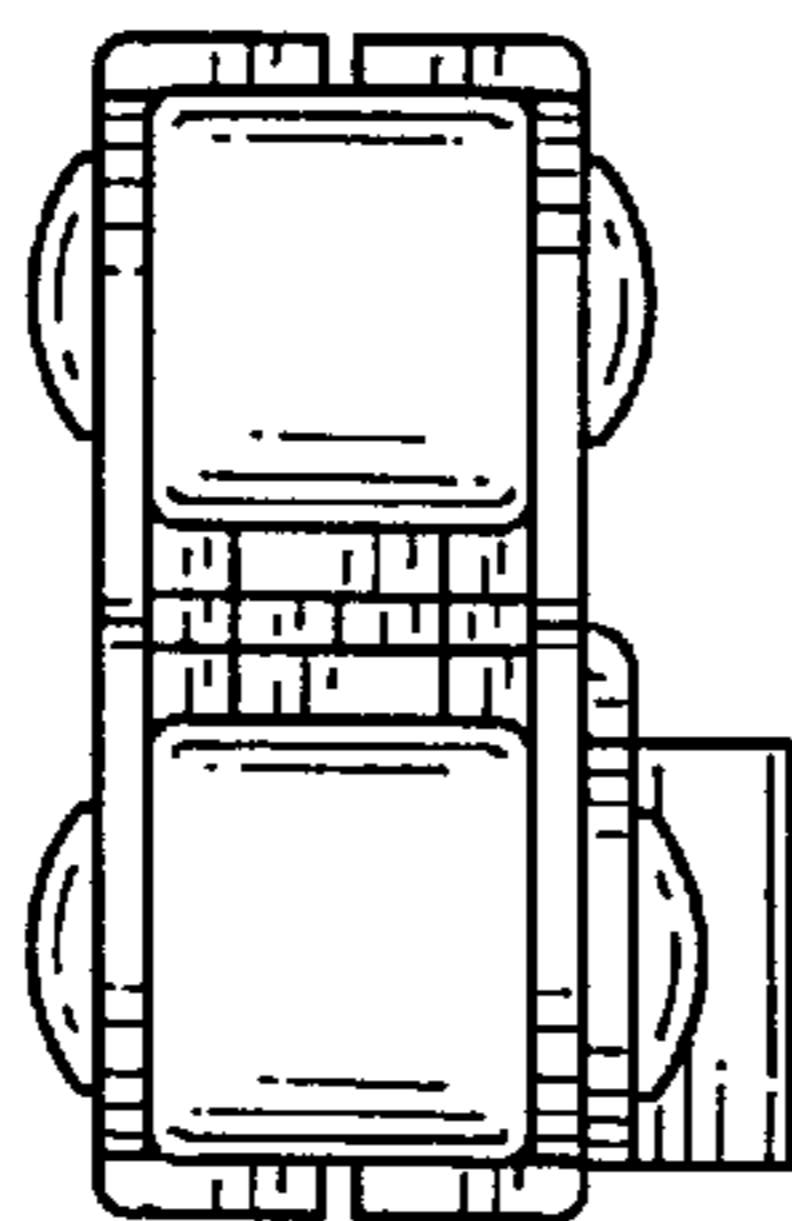


FIG.6

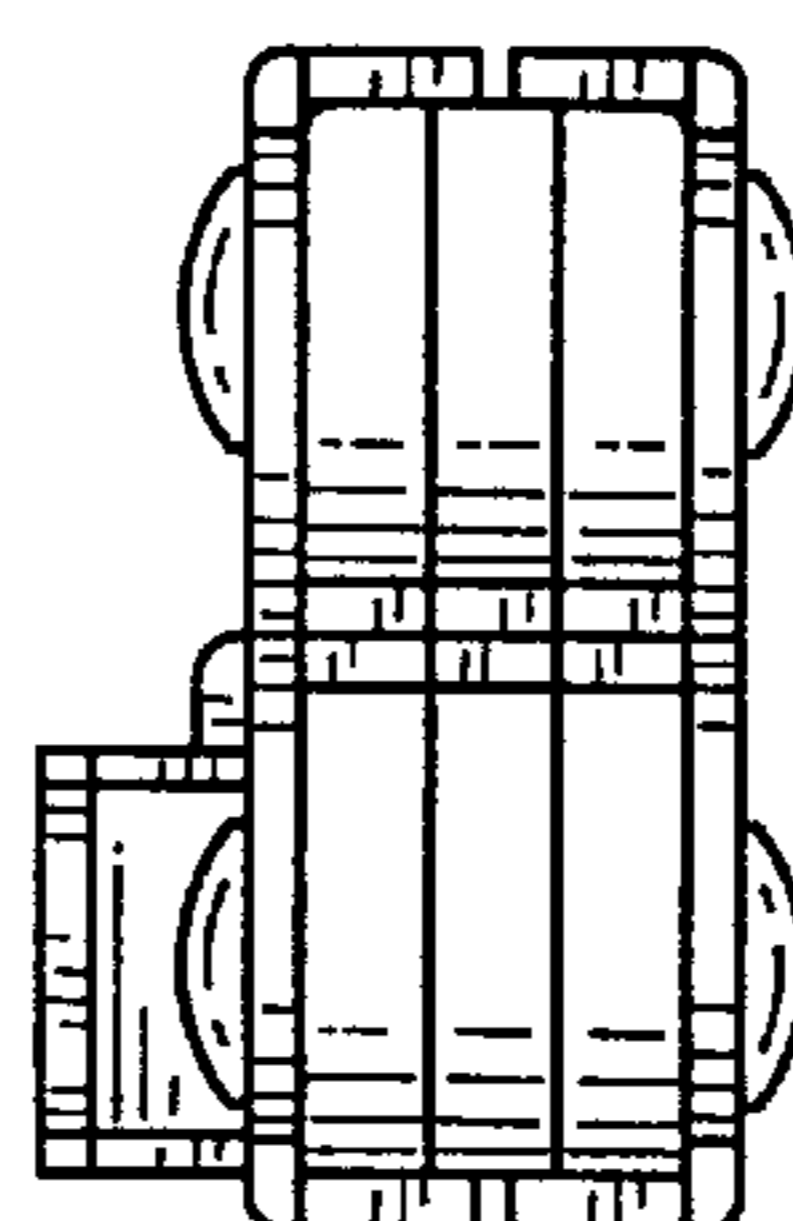


FIG.7