



US00D406508S

United States Patent [19] Rivera

[11] **Patent Number: Des. 406,508**

[45] **Date of Patent: **Mar. 9, 1999**

[54] **FOLDING PLIERS WITH POCKET CLIP**

[75] Inventor: **Benjamin C. Rivera**, West Linn, Oreg.

[73] Assignee: **Leatherman Tool Group, Inc.**,
Portland, Oreg.

[**] Term: **14 Years**

[21] Appl. No.: **80,041**

[22] Filed: **Nov. 26, 1997**

[51] **LOC (6) Cl.** **08-05**

[52] **U.S. Cl.** **D8/52**

[58] **Field of Search** D8/51, 52, 55,
D8/58, 105; 7/106, 107, 117, 127, 128,
130, 133, 118; 81/424, 426, 440, 427.5;
140/117, 118, 121, 139; 30/153, 162, 91.2,
161, 254; 74/127; D19/35, 56

[56] **References Cited**

U.S. PATENT DOCUMENTS

D. 368,634	4/1996	Frazer	D8/105
D. 384,872	10/1997	Yeh	D8/105
D. 385,170	10/1997	Rivera	D8/52
4,744,272	5/1988	Leatherman	81/427.5

4,947,552	8/1990	Barnes	30/161
4,961,239	10/1990	Boyd, Sr. et al.	7/118
5,142,721	9/1992	Sessions et al.	7/128

OTHER PUBLICATIONS

Leatherman Tool Group, Inc., "The Original Leatherman PST II" —Jul. 1995.

Primary Examiner—Freda Nunn

Attorney, Agent, or Firm—Chernoff, Vilhauer, McClung, & Stenzel, LLP

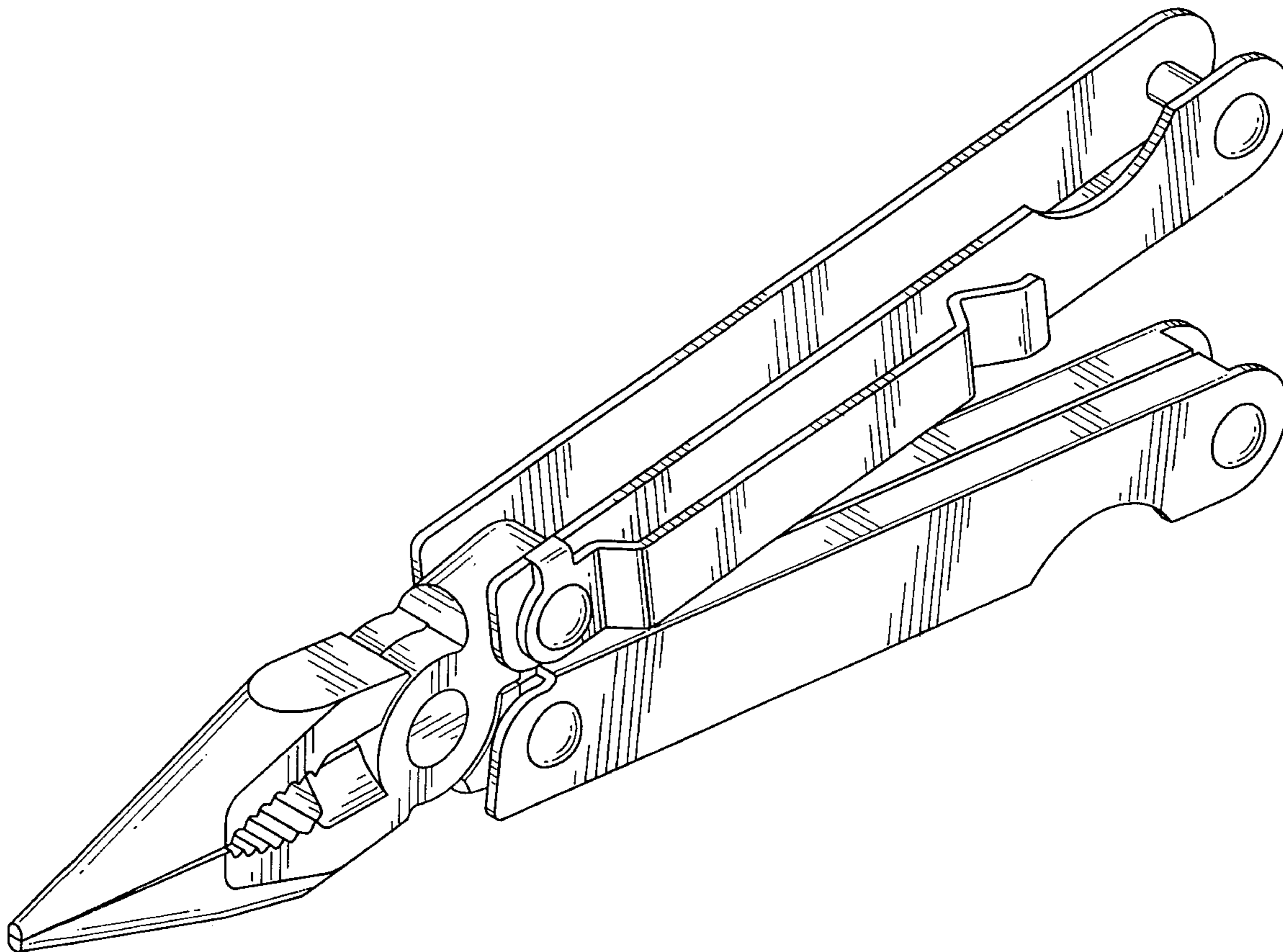
[57] **CLAIM**

The ornamental design for the folding pliers with pocket clip, as shown and described.

DESCRIPTION

FIG. 1 is an isometric view of the folding pliers with pocket clip incorporating my new design;
FIG. 2 is a top plan view thereof;
FIG. 3 is a front side elevational view thereof;
FIG. 4 is a bottom plan view thereof;
FIG. 5 is a rear side elevational view thereof;
FIG. 6 is a pliers jaw end elevational view thereof; and,
FIG. 7 is a handle end elevational view thereof.

1 Claim, 3 Drawing Sheets



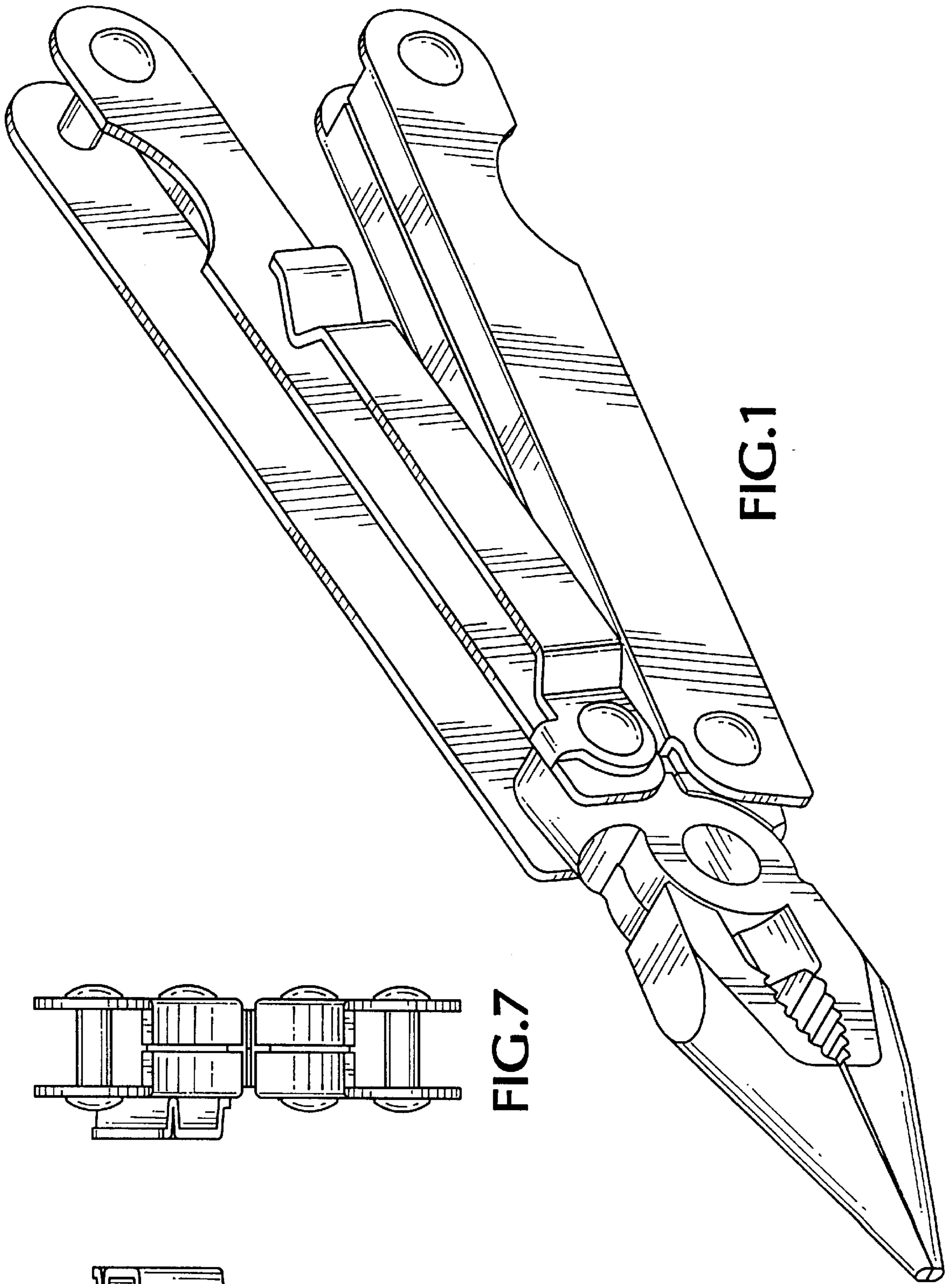


FIG. 1

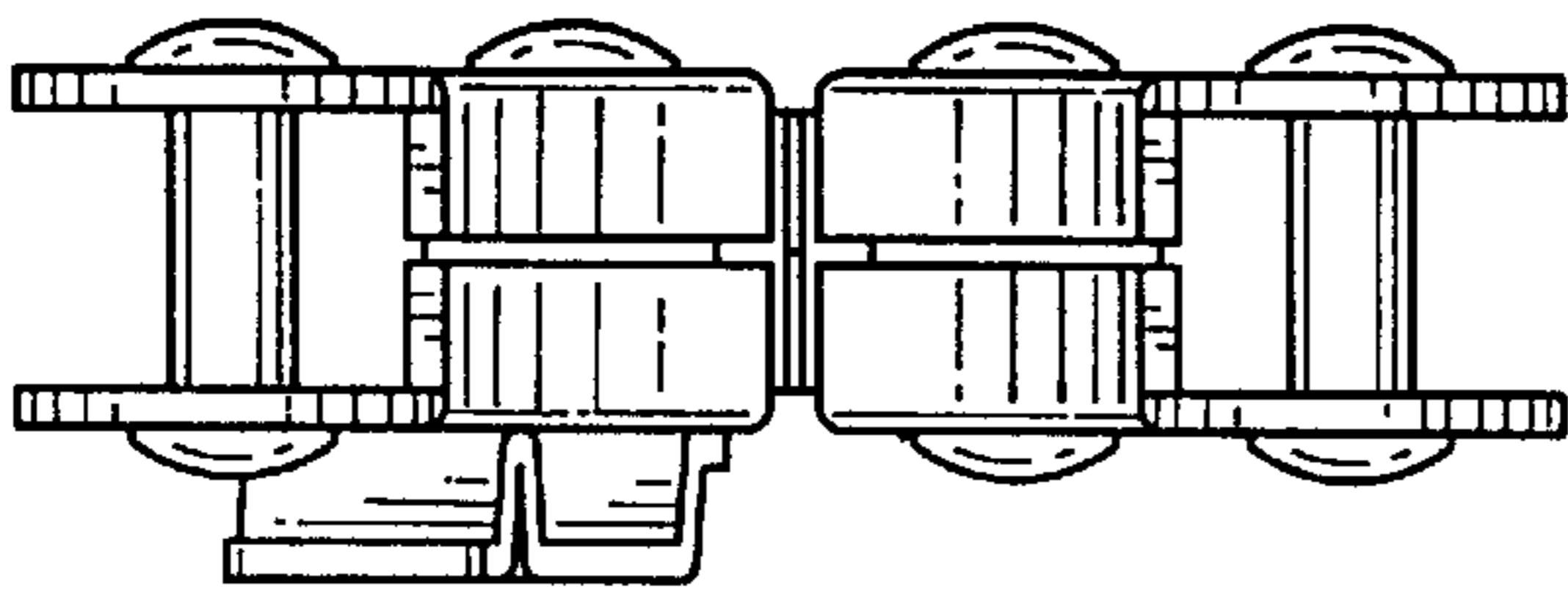


FIG. 7

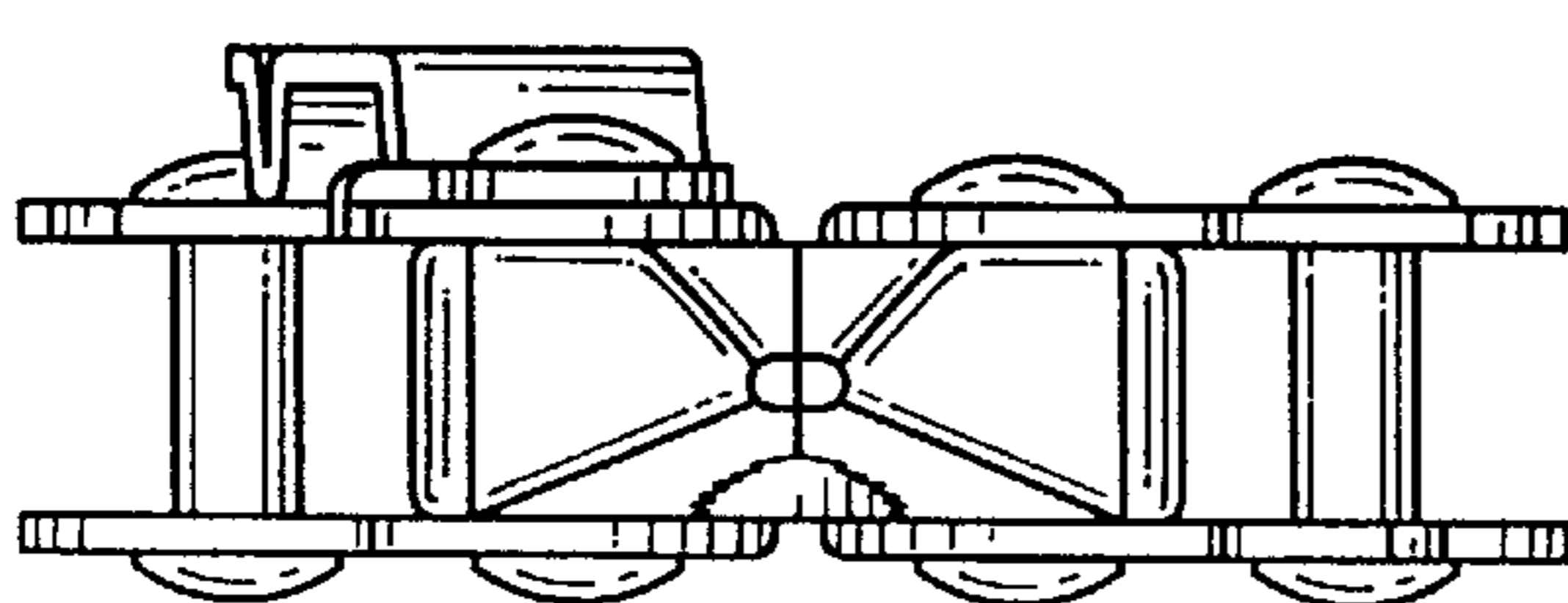


FIG. 6

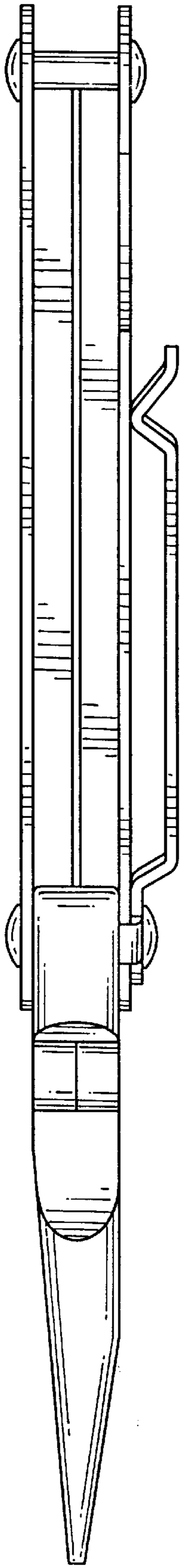


FIG. 2

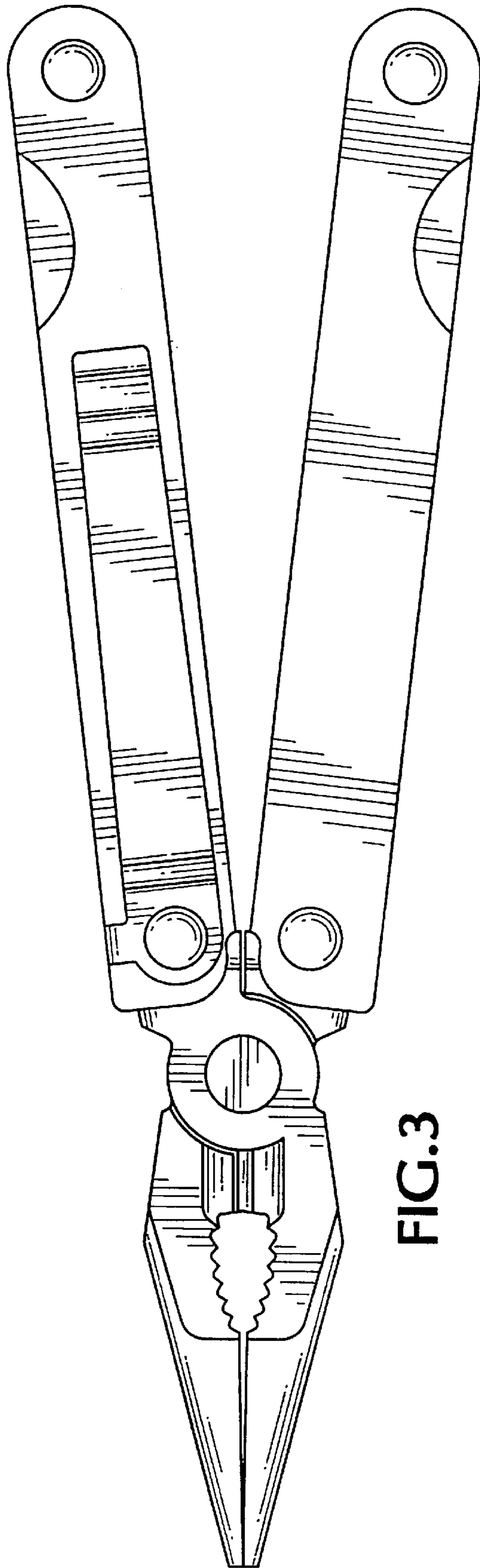


FIG. 3

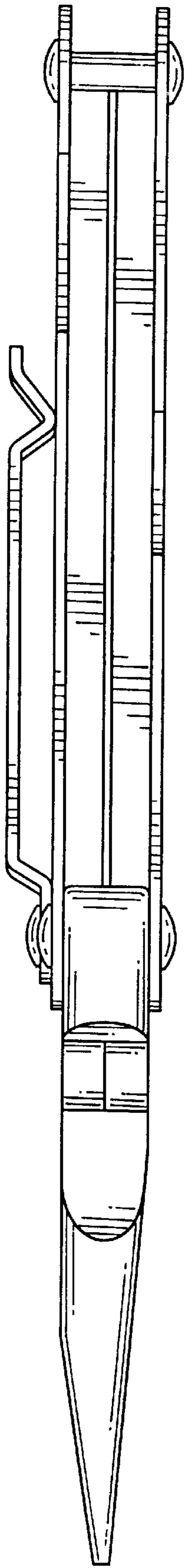


FIG. 4

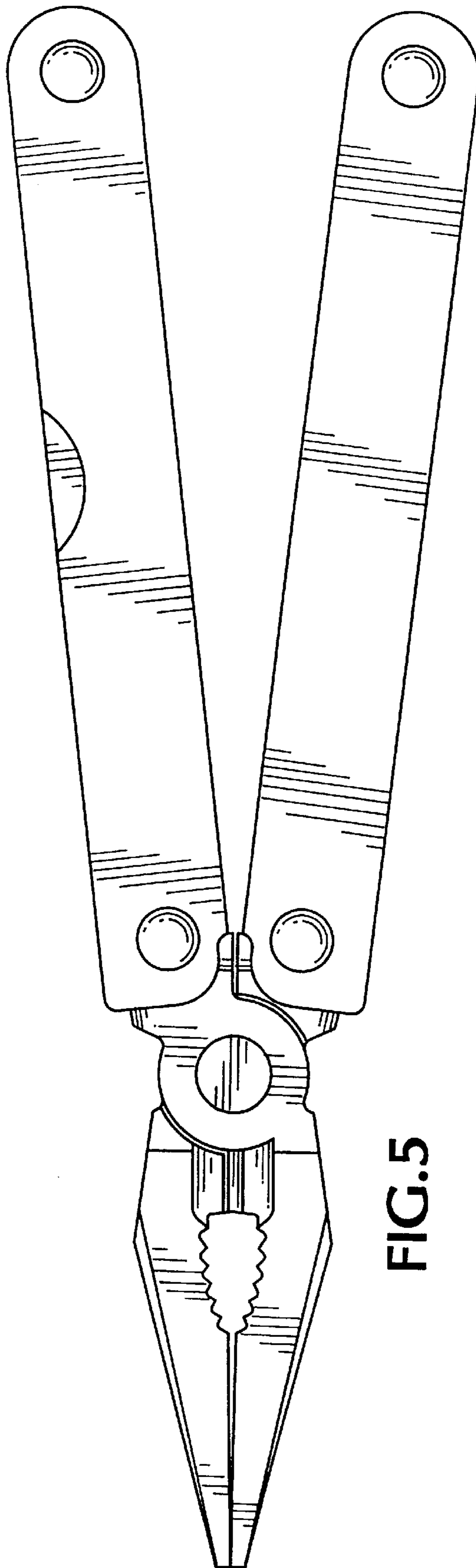


FIG. 5