



US00D406506S

# United States Patent [19]

Wysopal

[11] **Patent Number: Des. 406,506**

[45] **Date of Patent: \*\*Mar. 9, 1999**

[54] **AUTOMOBILE SHAPED BOTTLE OPENER**

D. 302,091 7/1989 Bergman ..... D7/655

[76] Inventor: **James Samuel Wysopal**, 2239 Aralia St., Newport Beach, Calif. 92660

*Primary Examiner*—Caron D. Veynar  
*Attorney, Agent, or Firm*—Eric Karich, Esq.

[\*\*] Term: **14 Years**

[57] **CLAIM**

[21] Appl. No.: **84,971**

The ornamental design for a automobile shaped bottle opener, as shown and described.

[22] Filed: **Mar. 13, 1998**

**DESCRIPTION**

[51] **LOC (6) Cl.** ..... **07-99**

[52] **U.S. Cl.** ..... **D8/38**

[58] **Field of Search** ..... D8/33-43; D7/655; D11/163; 7/151-156; 30/400, 450; 81/3.07, 3.29, 3.4, 3.55, 3.57

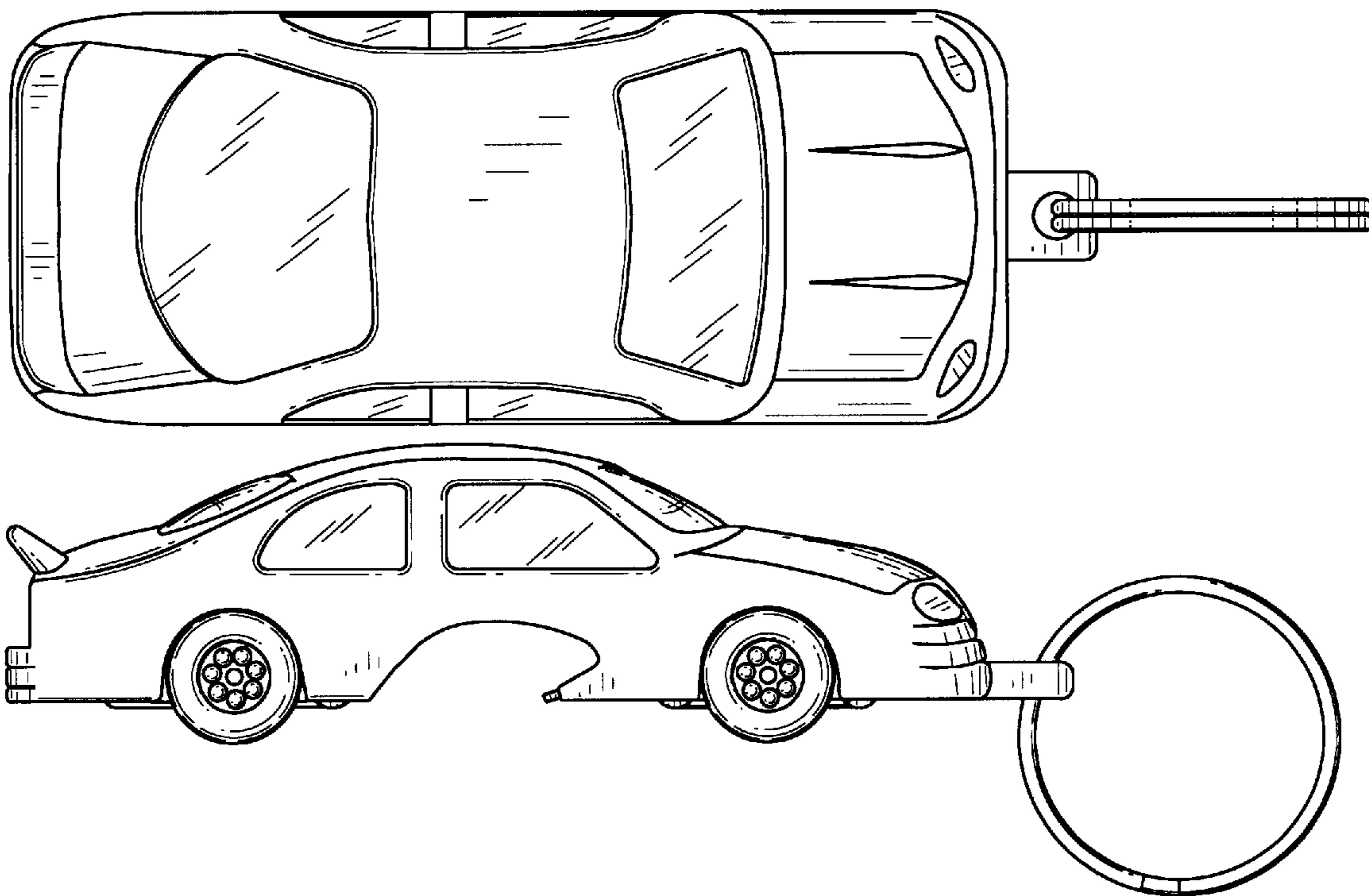
FIG. 1 is a top plan view of a automobile shaped bottle opener, showing my new design;  
FIG. 2 is a right side elevation view thereof, the left side elevation view being a mirror image thereof;  
FIG. 3 is a bottom plan view thereof;  
FIG. 4 is a front elevational view thereof; and,  
FIG. 5 is a rear elevational view thereof.

[56] **References Cited**

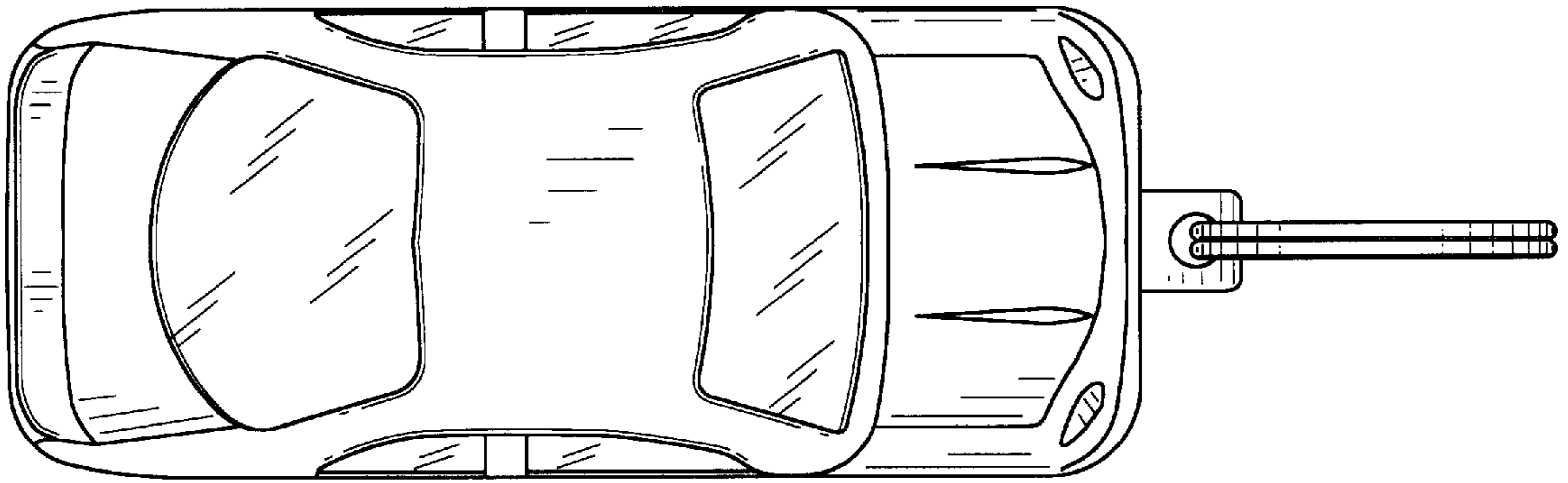
**U.S. PATENT DOCUMENTS**

D. 226,110 1/1973 Daniel ..... D11/163

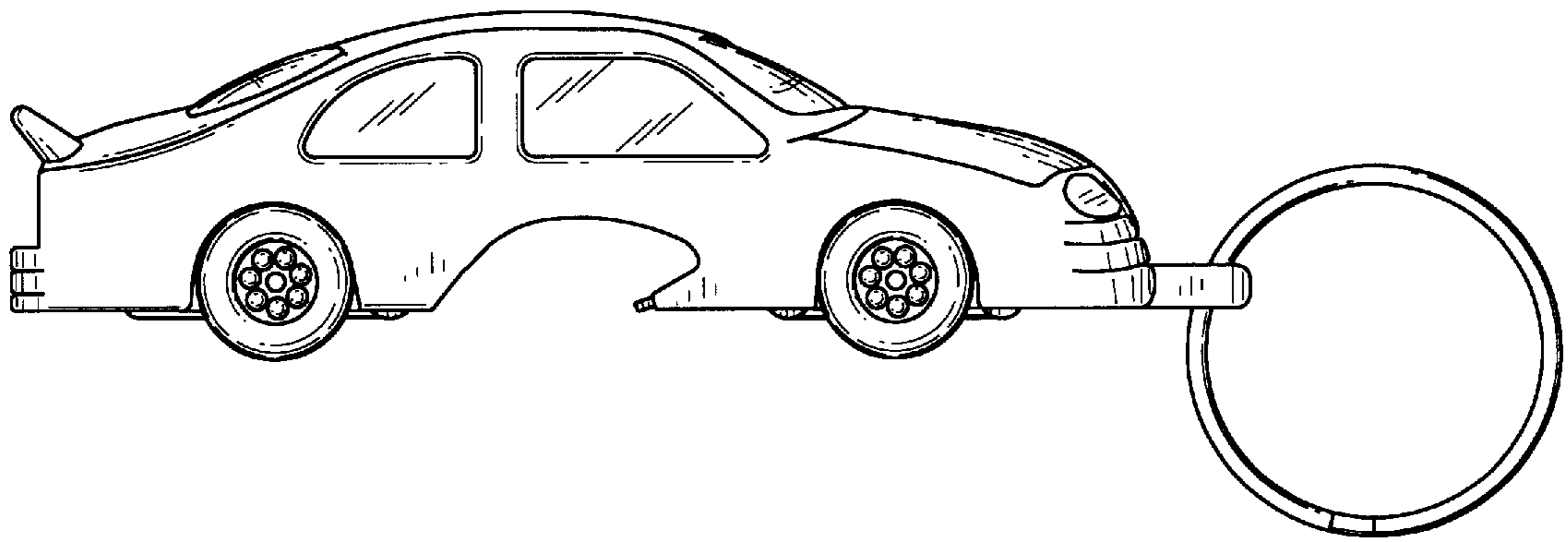
**1 Claim, 2 Drawing Sheets**



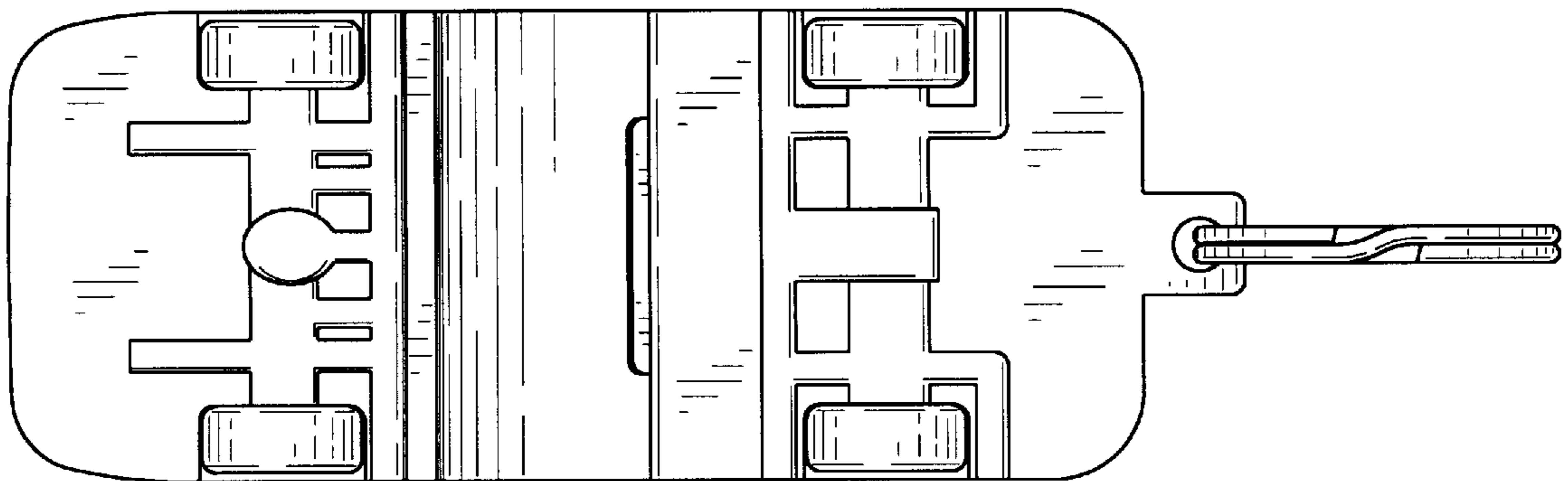
*Fig. 1*



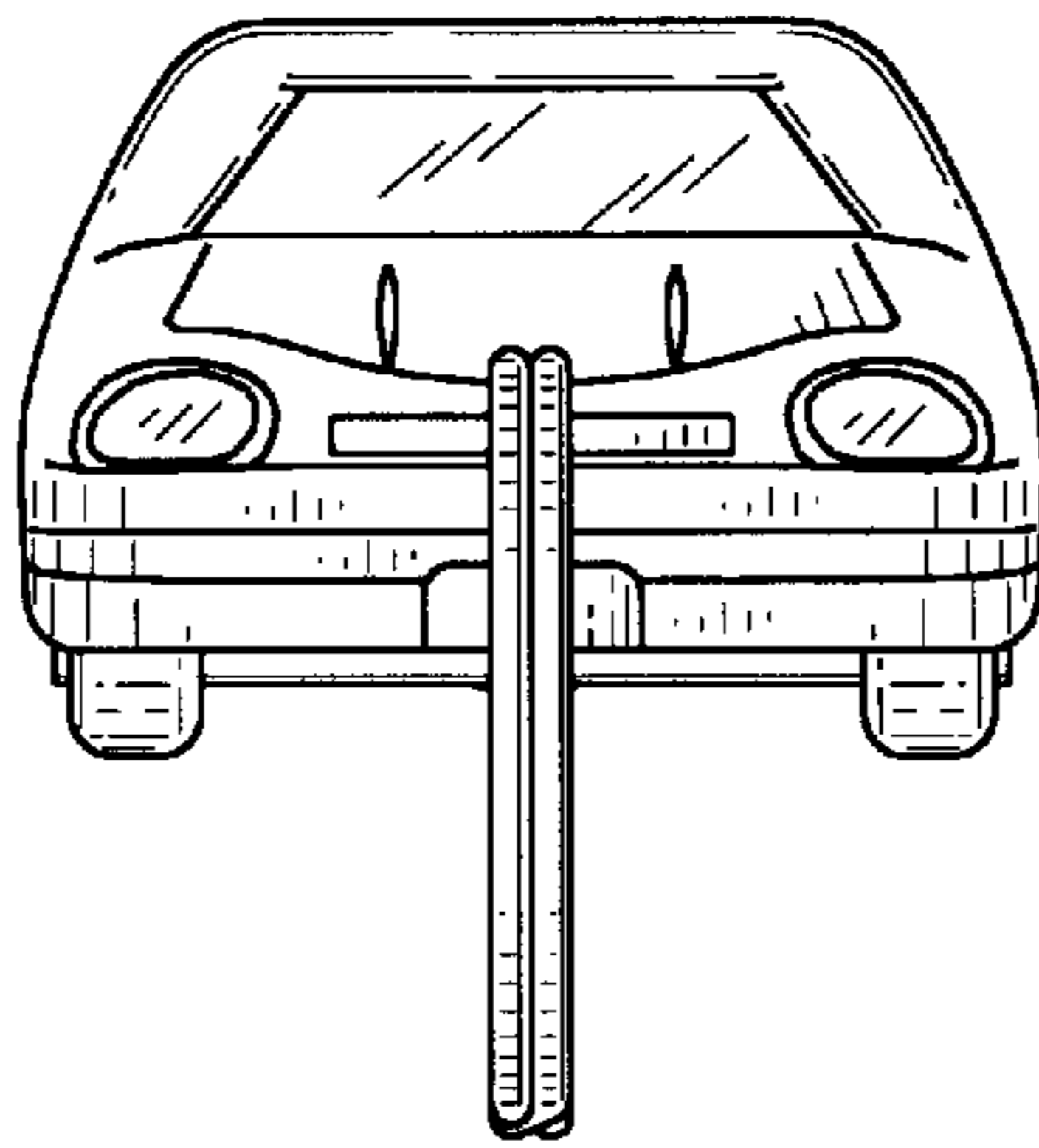
*Fig. 2*



*Fig. 3*



*Fig. 4*



*Fig. 5*

