



US00D406498S

United States Patent [19]

[11] **Patent Number: Des. 406,498**

Zirbes

[45] **Date of Patent: **Mar. 9, 1999**

[54] **HOLDER DEVICE FOR FRUITS AND VEGETABLES**

[56] **References Cited**

[75] Inventor: **Richard Zirbes**, Landscheid, Germany

U.S. PATENT DOCUMENTS

[73] Assignee: **Alfred Börner Kunststoff- u. Metallwarenfabrik GmbH**, Lanscheid, Germany

D. 307,228 4/1990 Börner D7/683
3,010,500 11/1961 Jordan 269/54.1
4,250,771 2/1981 Berler 241/282.1 X

[**] Term: **14 Years**

Primary Examiner—Terry A. Wallace
Attorney, Agent, or Firm—Harness, Dickey & Pierce, P.L.C.

[21] Appl. No.: **83,815**

[57] **CLAIM**

[22] Filed: **Feb. 18, 1998**

The ornamental design for a holding device for fruits and vegetables, as shown and described.

[30] **Foreign Application Priority Data**

DESCRIPTION

Aug. 20, 1997 [DE] Germany M 97 07 711.9

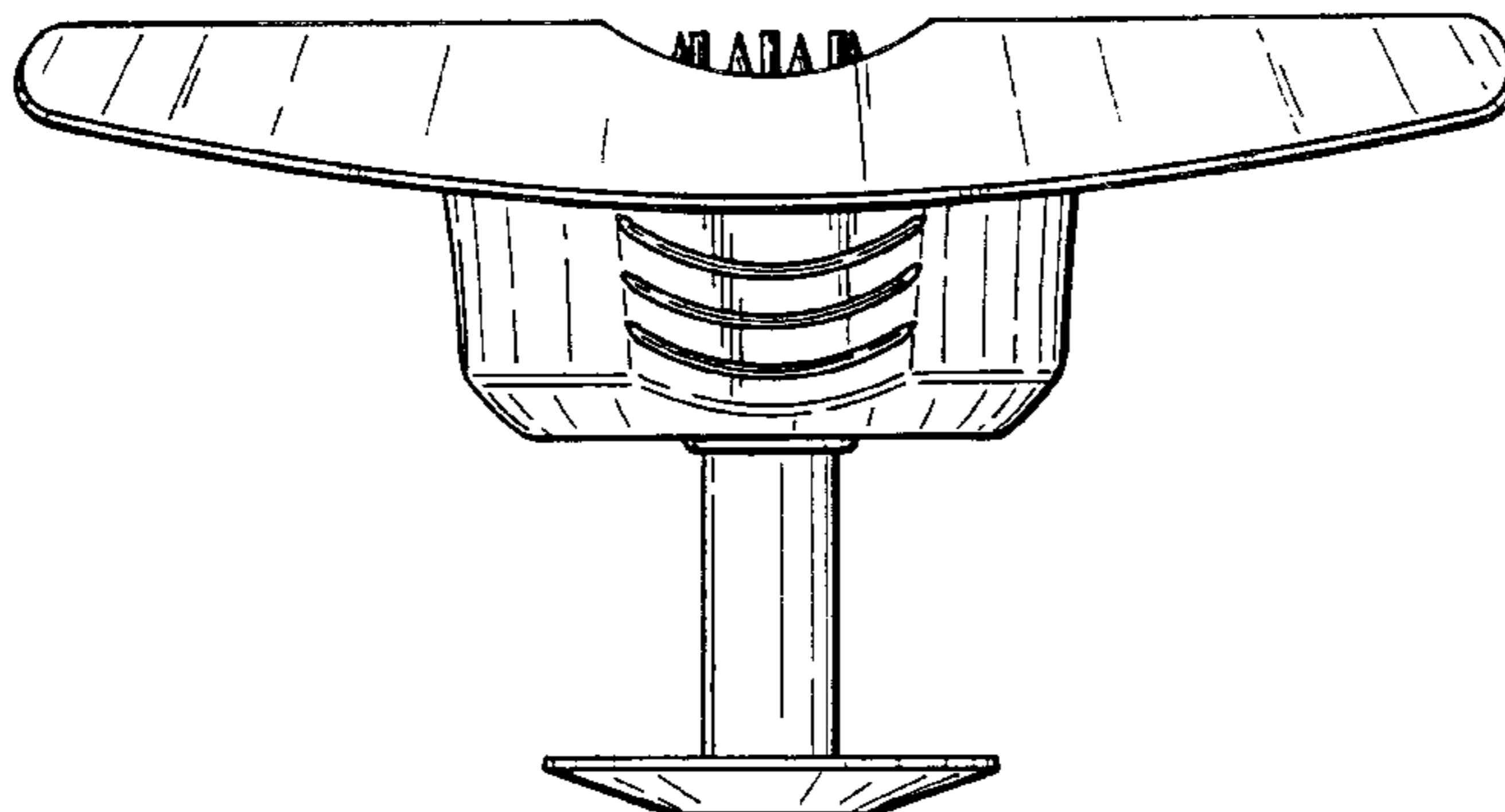
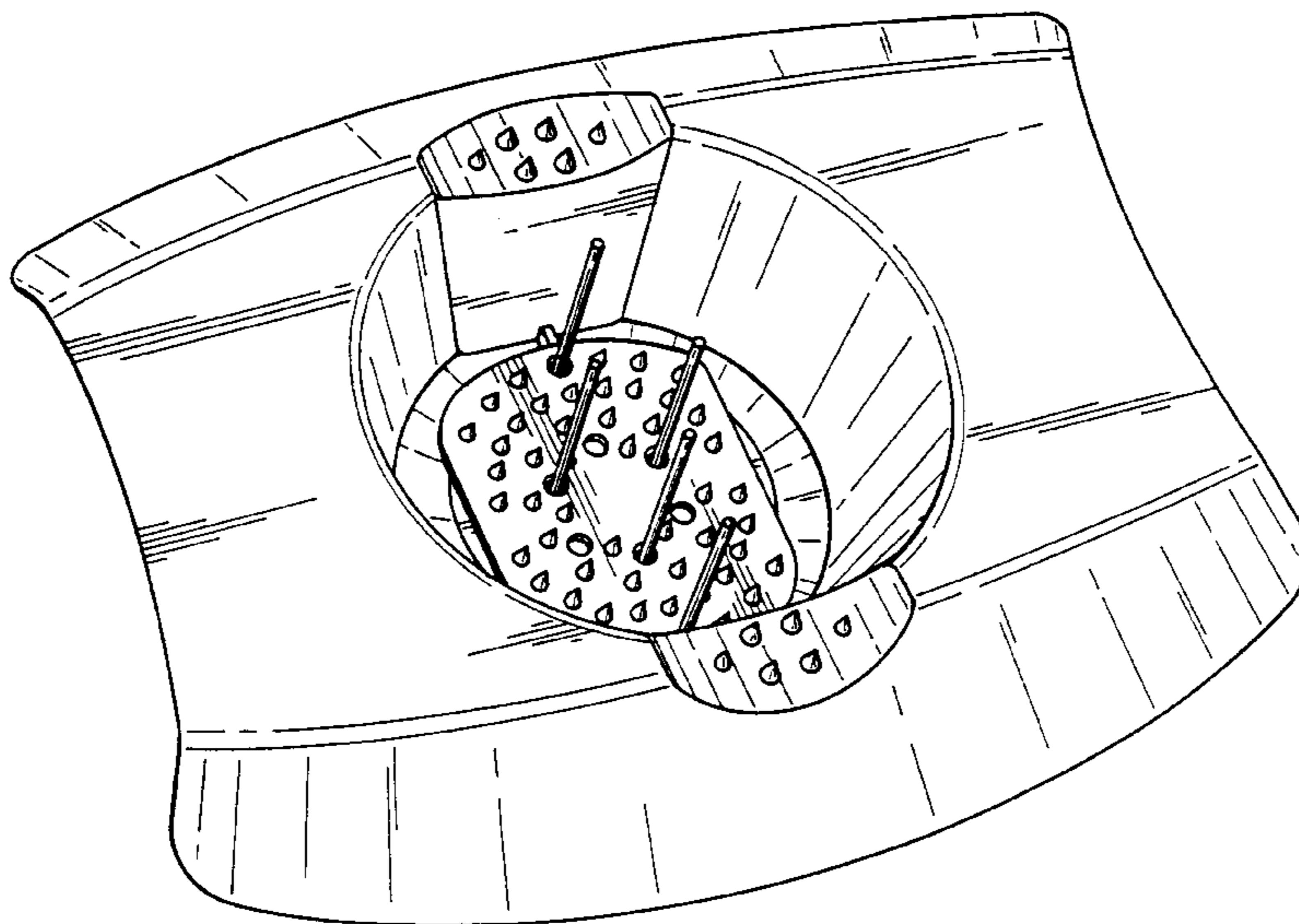
FIG. 1 is a perspective view thereof;
FIG. 2 is a left elevational view thereof;
FIG. 3 is a top plan view thereof;
FIG. 4 is a right elevational view thereof; and,
FIG. 5 is a bottom plan view thereof.

[51] **LOC (6) Cl.** **07-06**

[52] **U.S. Cl.** **D7/683; D7/669**

[58] **Field of Search** D7/669, 683; 30/359;
99/419; 269/54.1; 295/61, 1.1

1 Claim, 3 Drawing Sheets



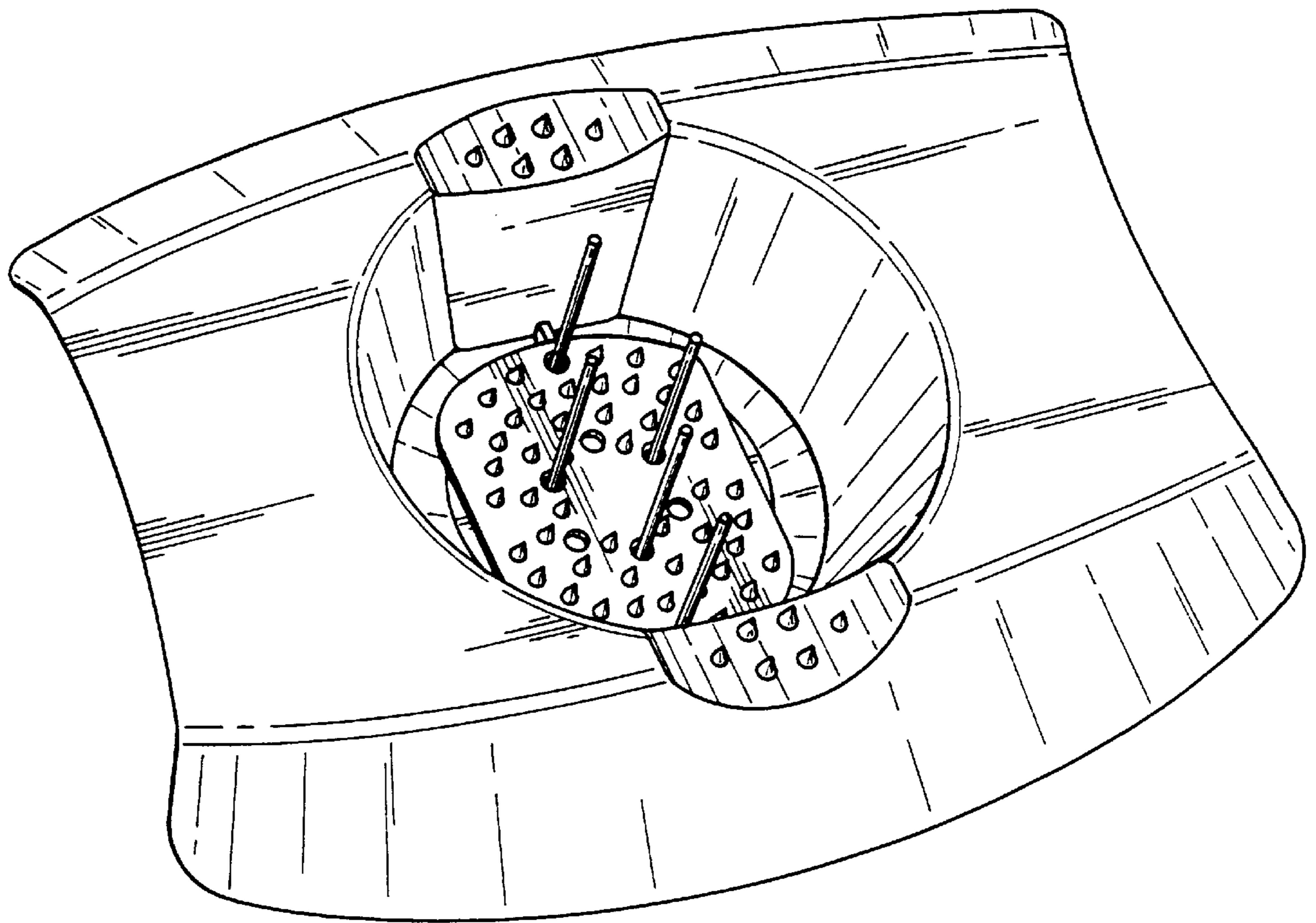


FIG. 1

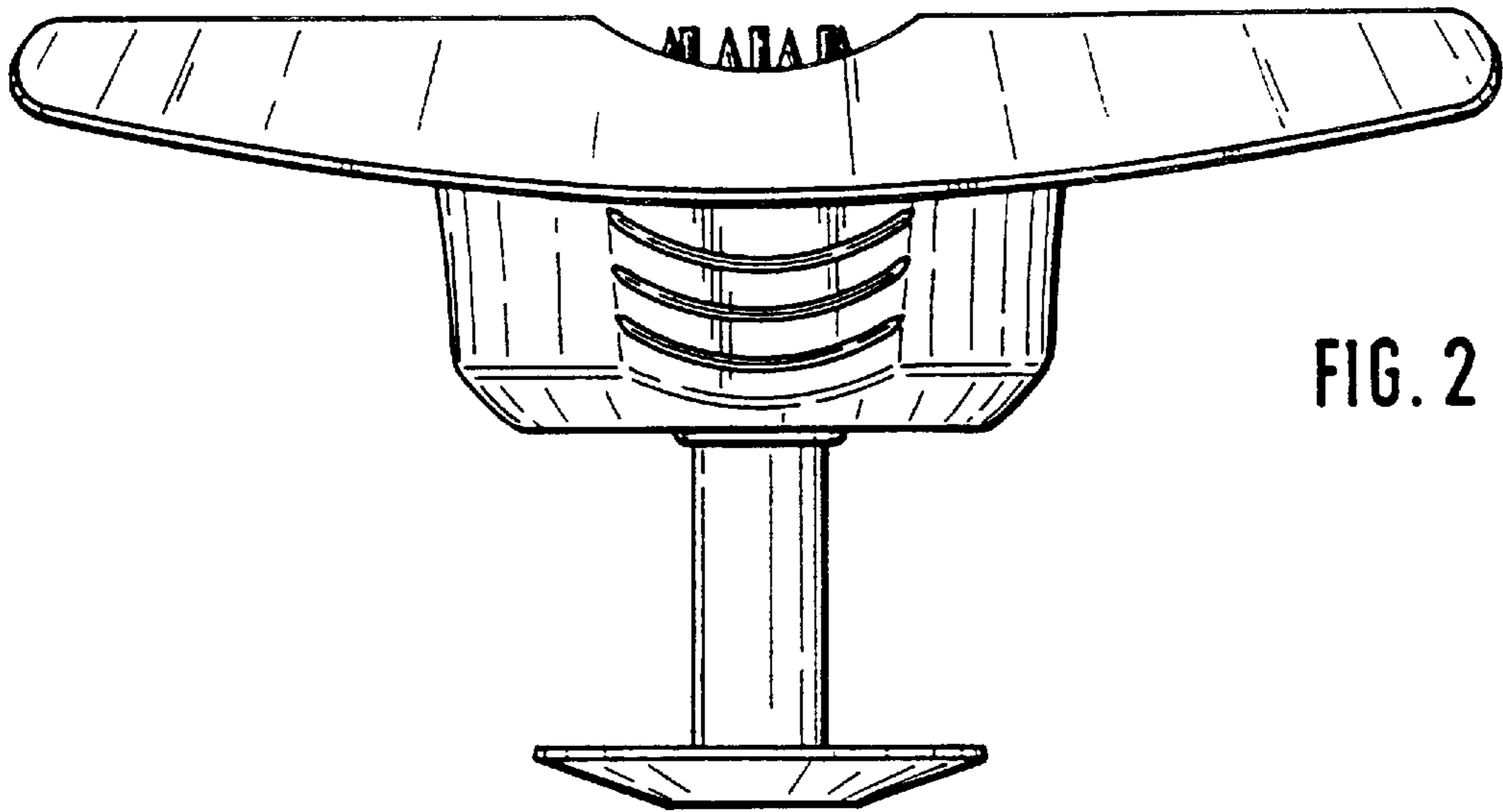


FIG. 2

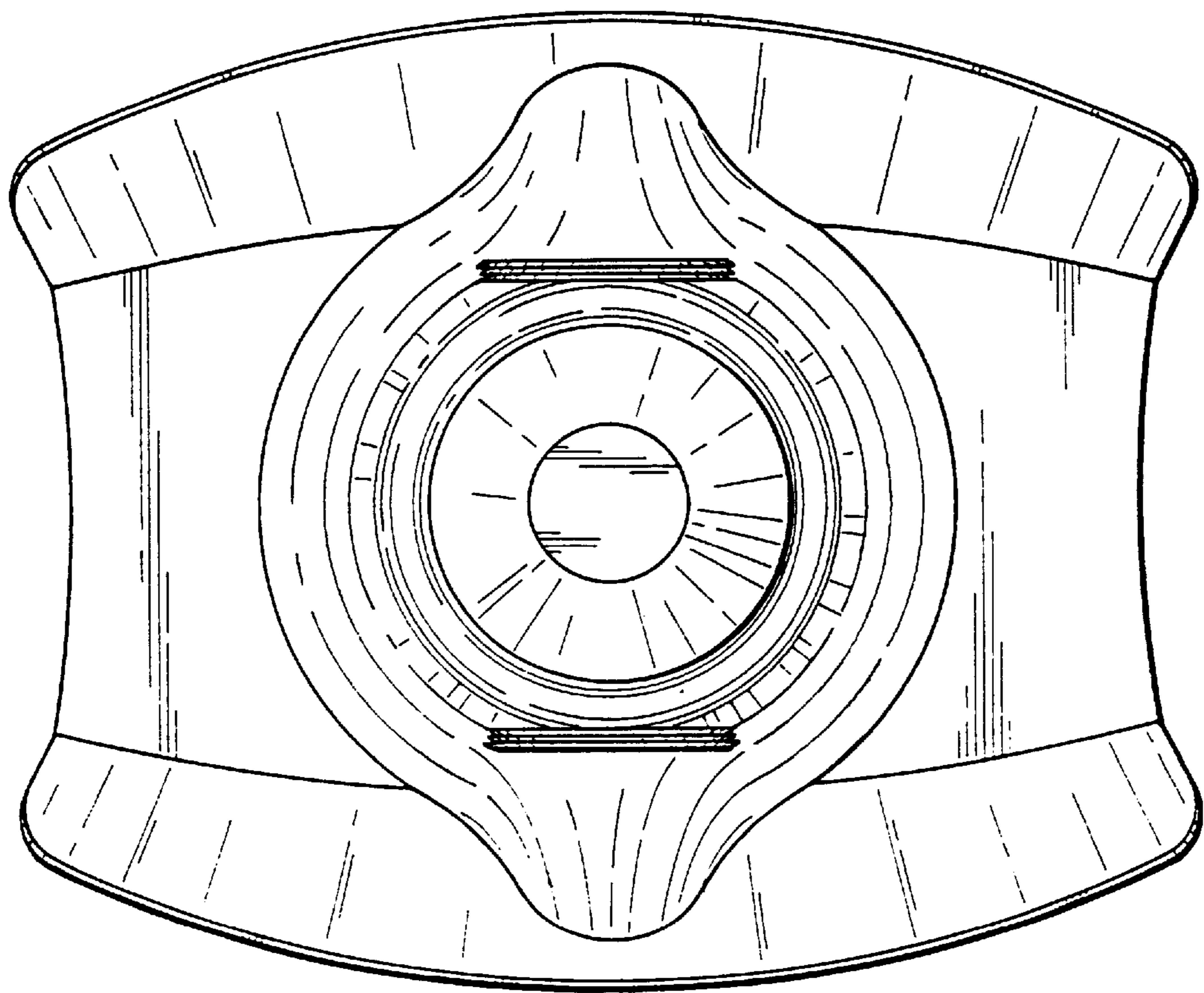


FIG. 3

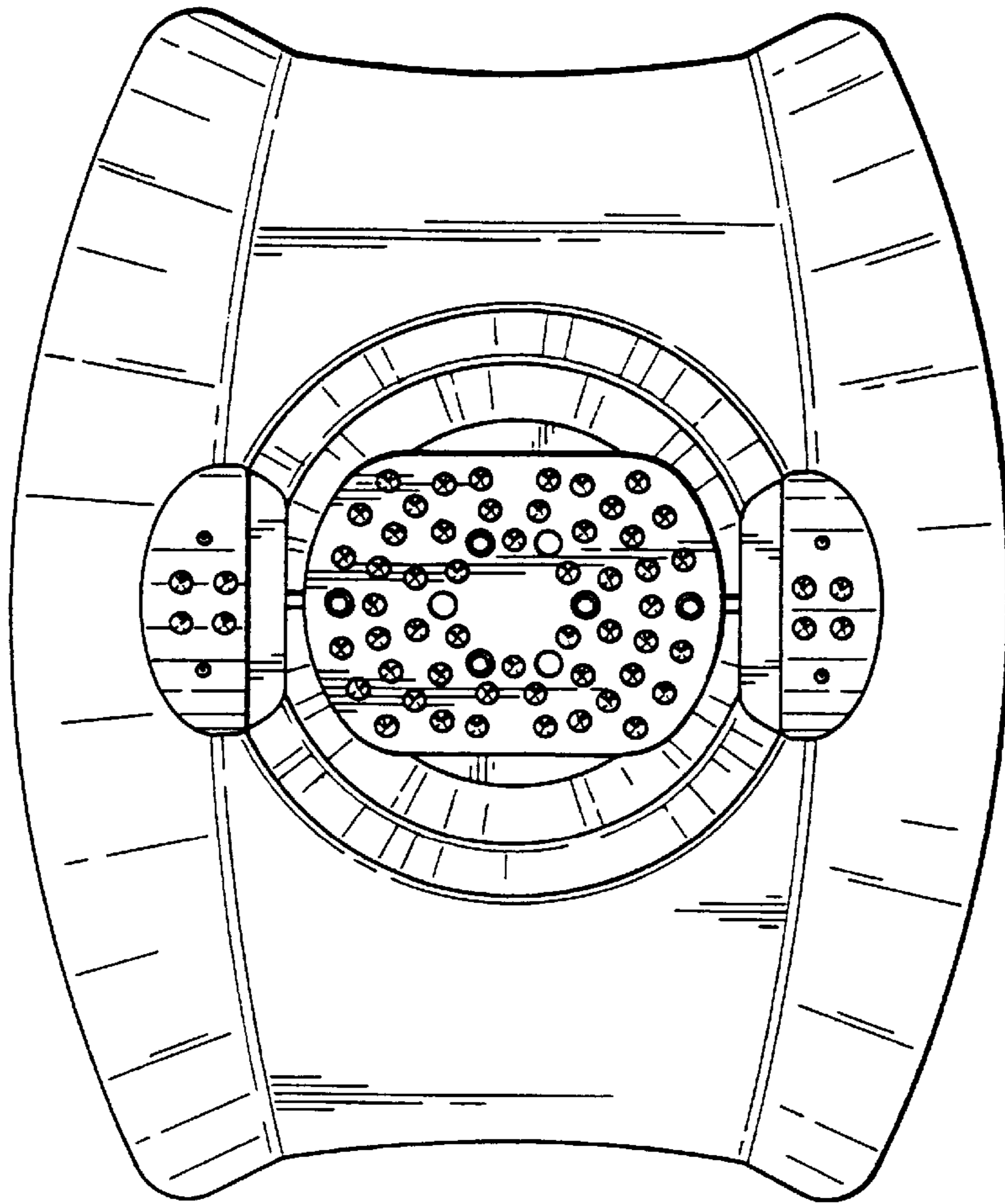


FIG. 5

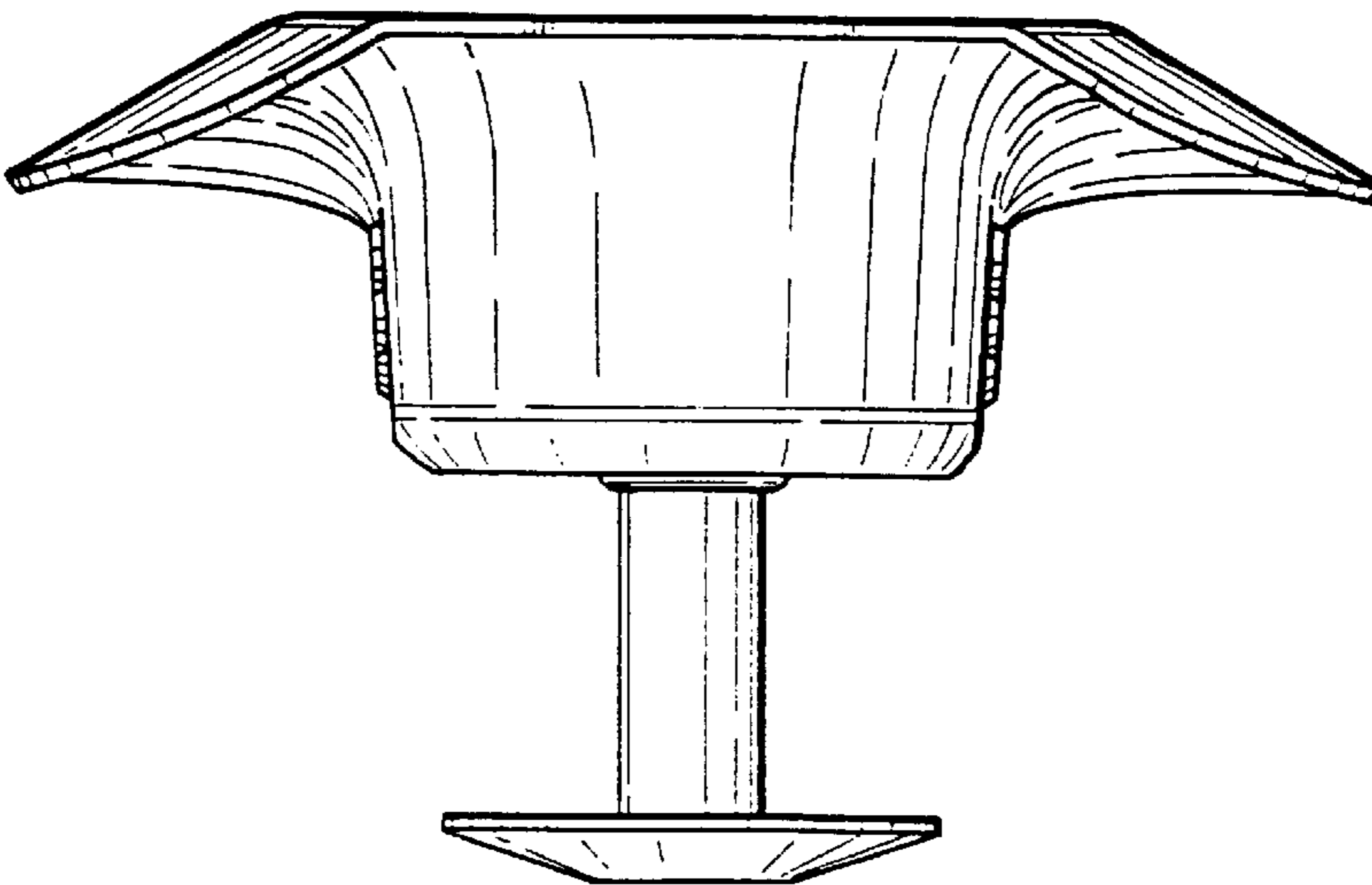


FIG. 4