



US00D406495S

United States Patent [19]
Moran

[11] **Patent Number: Des. 406,495**
[45] **Date of Patent: **Mar. 9, 1999**

[54] **WIDE MOUTH VACUUM CONTAINER WITH FLEXIBLE STRAP**

4,537,044 8/1985 Putnam 62/457.7

[75] Inventor: **Jorge E. Moran**, Nashville, Tenn.

Primary Examiner—Terry A. Wallace
Attorney, Agent, or Firm—Arent Fox Kintner Plotkin & Kahn, PLLC

[73] Assignee: **Megatrade International, Inc.**, Nashville, Tenn.

[57] **CLAIM**

[**] Term: **14 Years**

The ornamental design for a wide mouth vacuum container with flexible strap, as shown and described.

[21] Appl. No.: **84,750**

DESCRIPTION

[22] Filed: **Mar. 10, 1998**

FIG. 1 is a front elevation view of the wide mouth vacuum container with flexible strap showing my new design; FIG. 2 is a side elevation view thereof, the opposite side being identical except for not having the elliptical shape in the middle portion; FIG. 3 is a rear elevation view thereof; FIG. 4 is a top plan view thereof with the cover removed for clarity of illustration; FIG. 5 is an exploded side elevation view thereof; and, FIG. 6 is a bottom plan view thereof.

[51] **LOC (6) Cl.** **07-06**

[52] **U.S. Cl.** **D7/608**

[58] **Field of Search** D7/605, 608; 215/12.1, 215/13.1; 220/410-412, DIG. 10; 62/457.1

[56] **References Cited**

U.S. PATENT DOCUMENTS

- D. 369,723 5/1996 McArthur et al. D7/608
- D. 376,075 12/1996 Moreless Segura D7/608 X

1 Claim, 5 Drawing Sheets

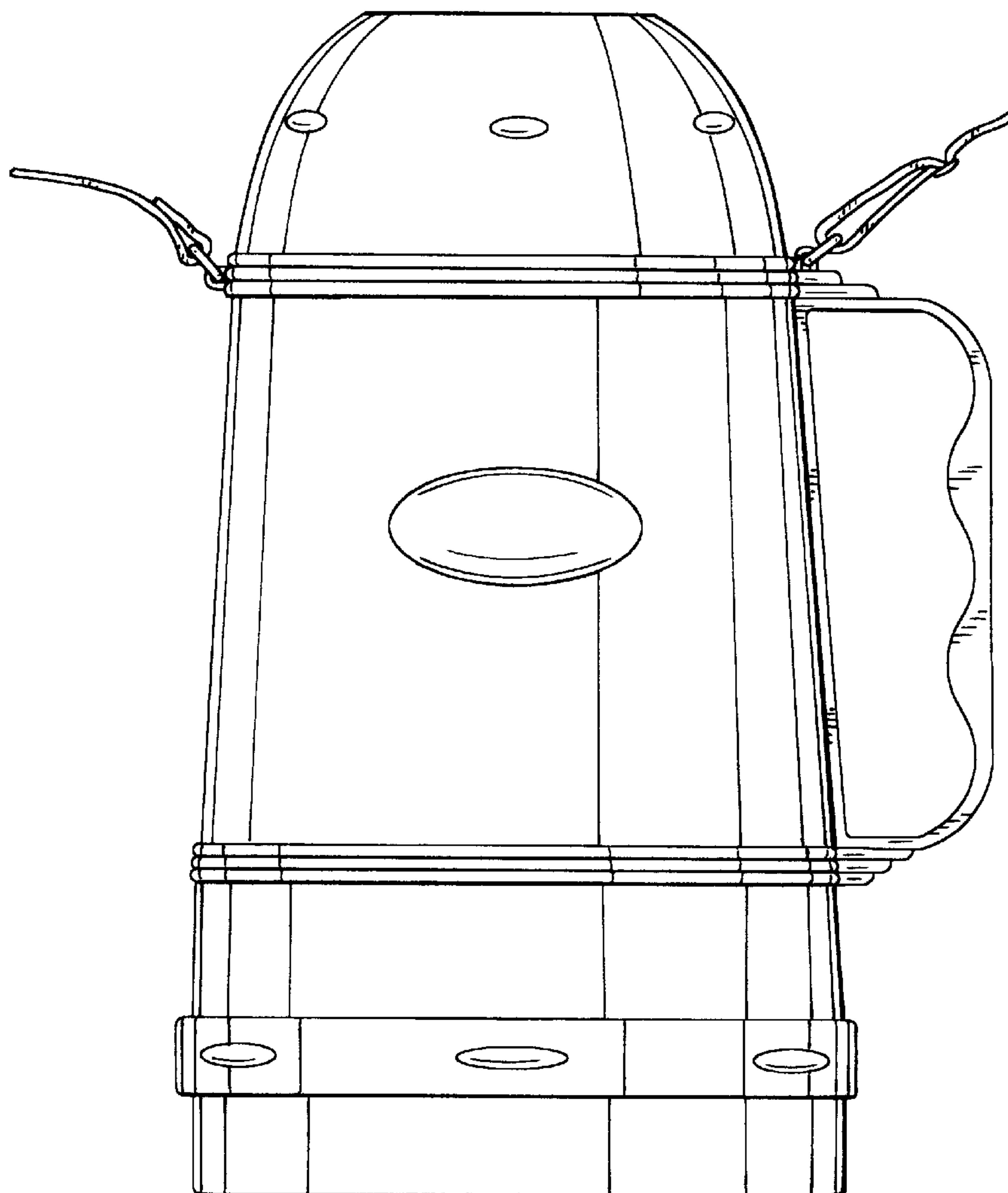


FIG. 1

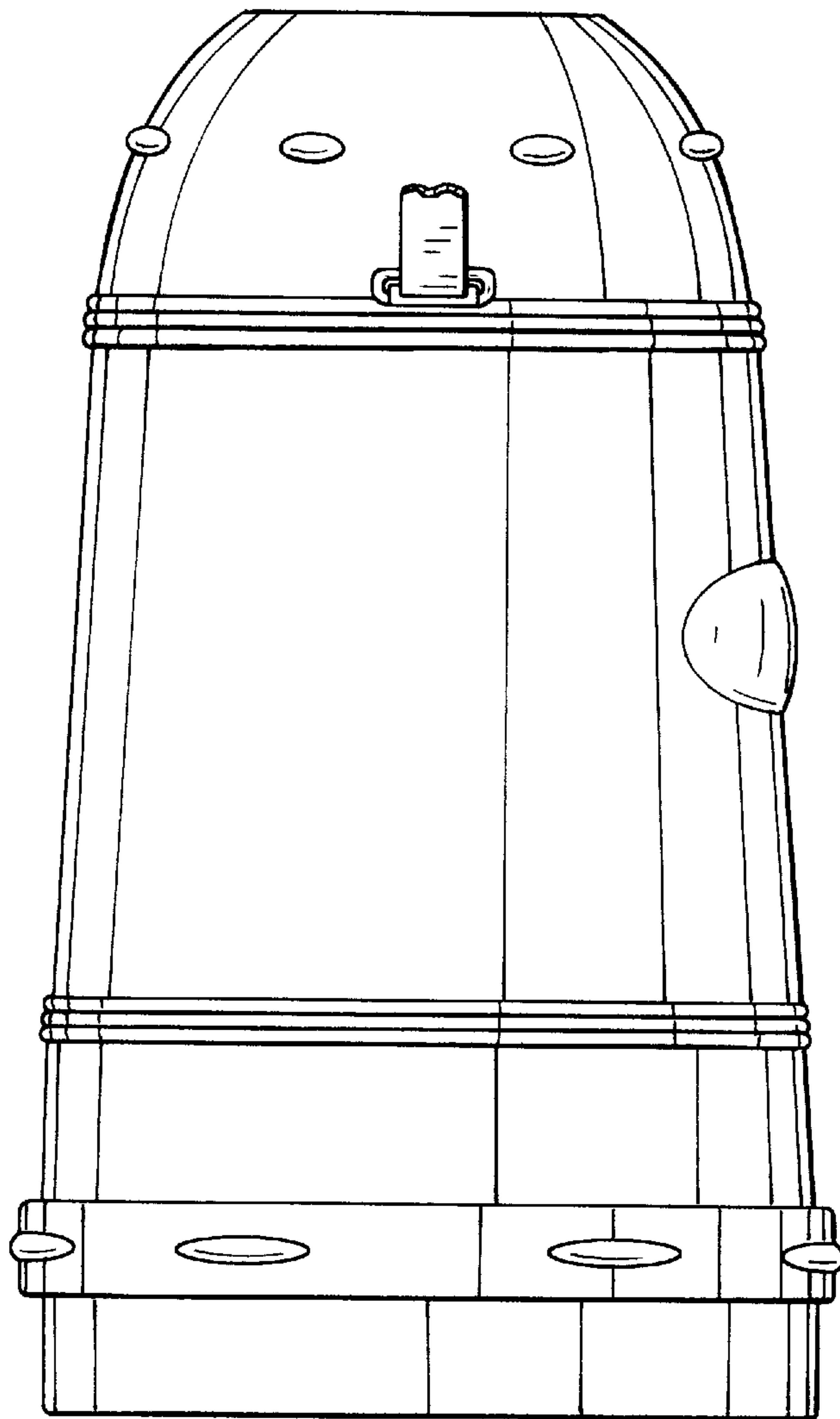


FIG. 2

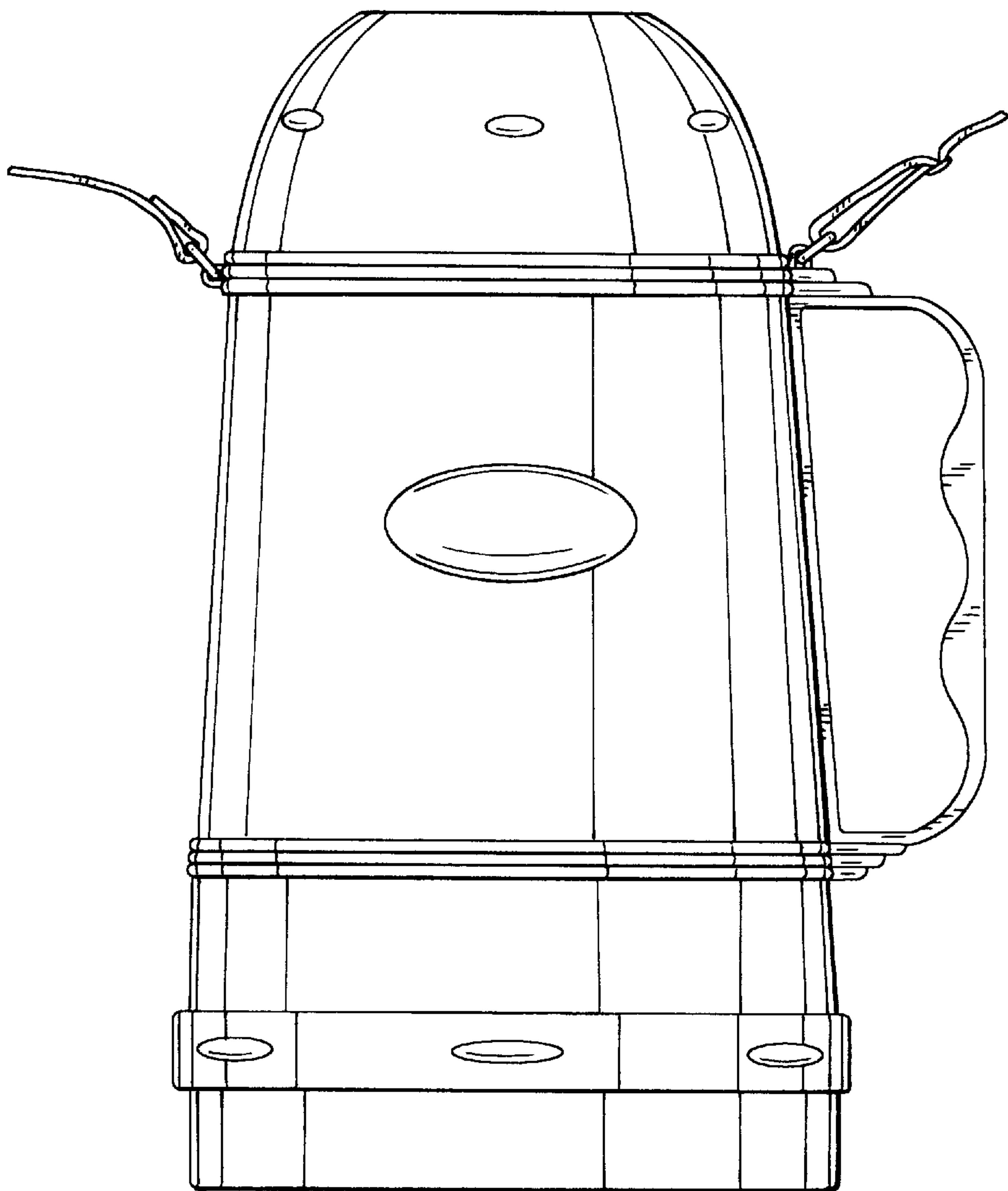


FIG. 4

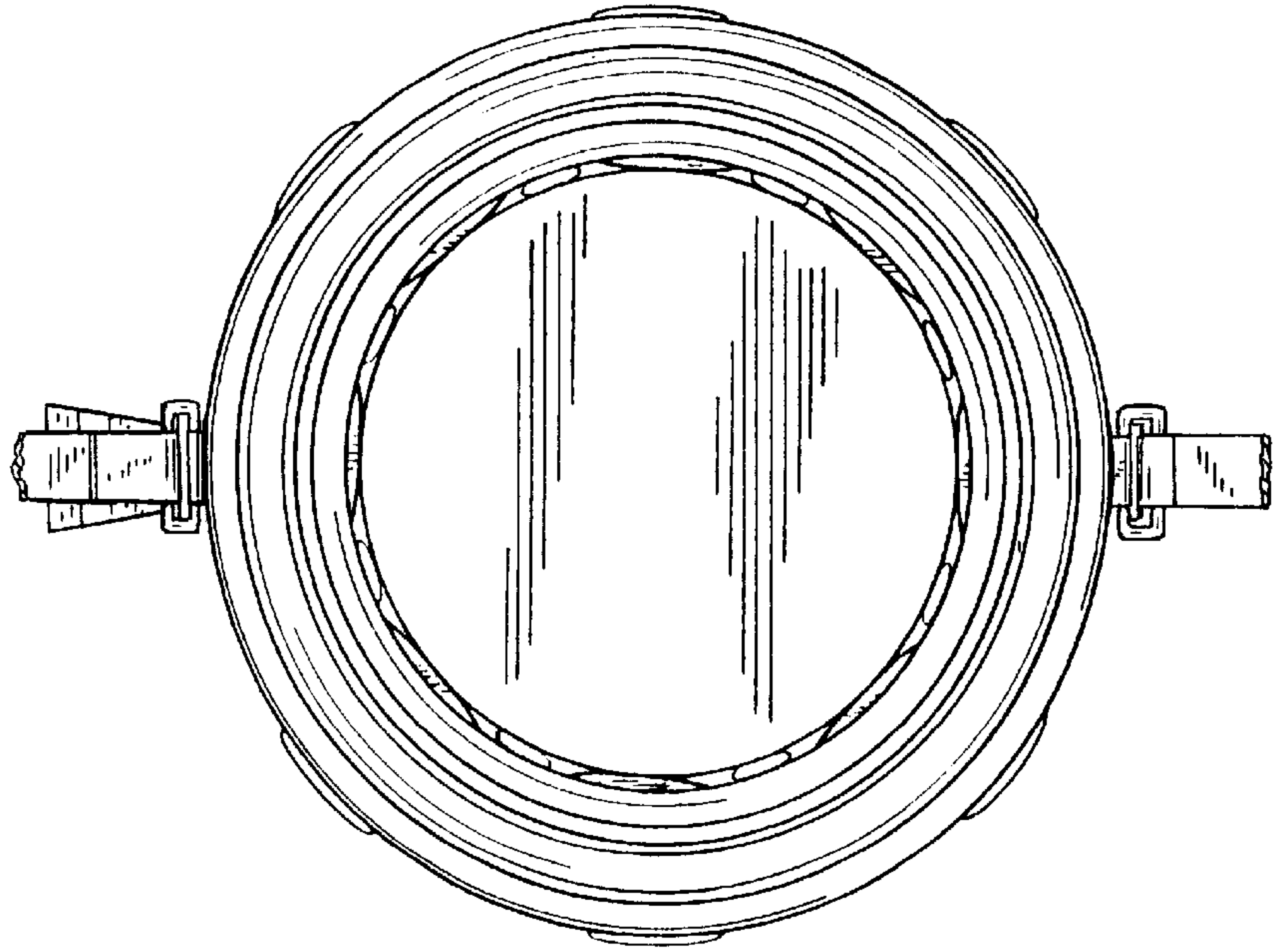
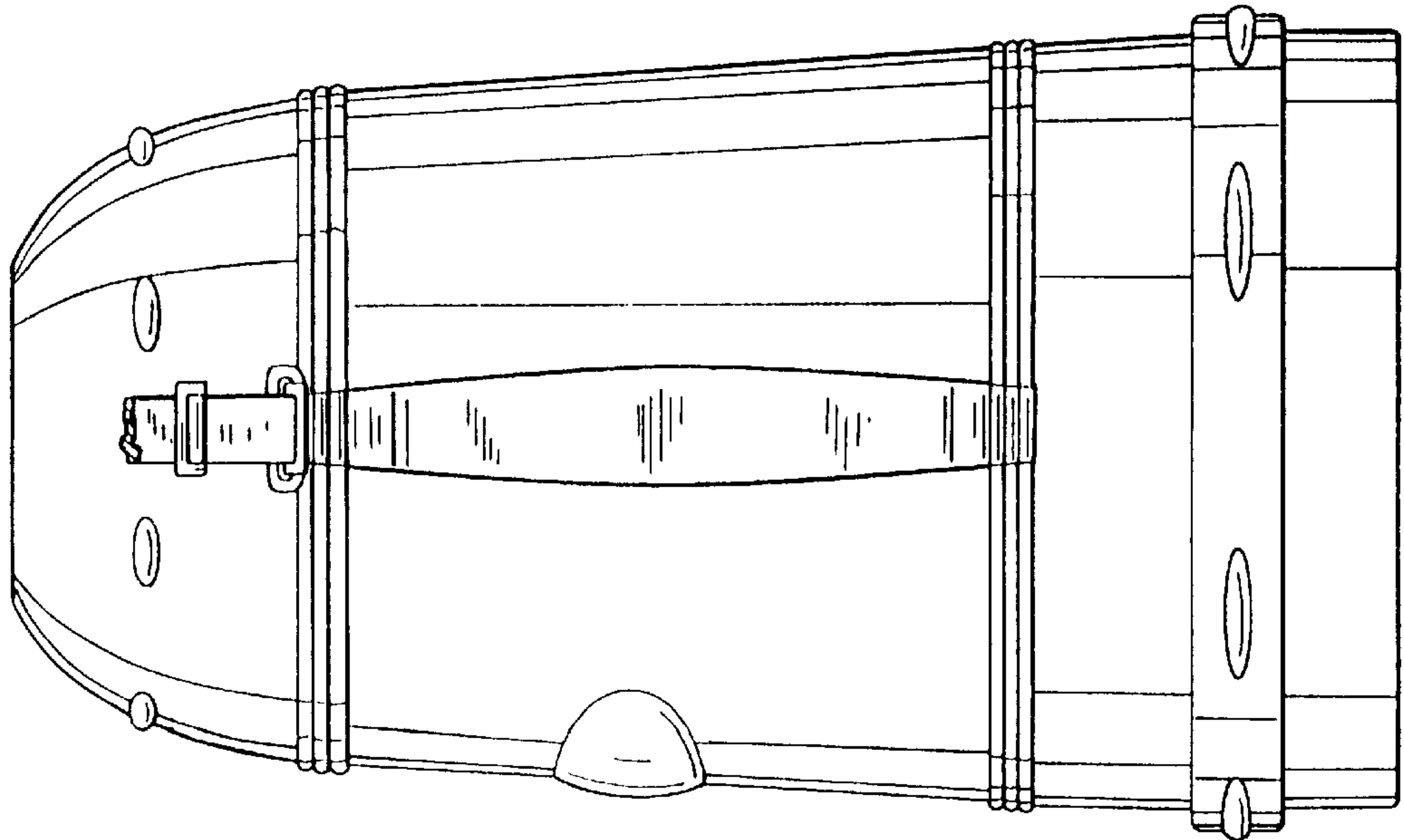


FIG. 3



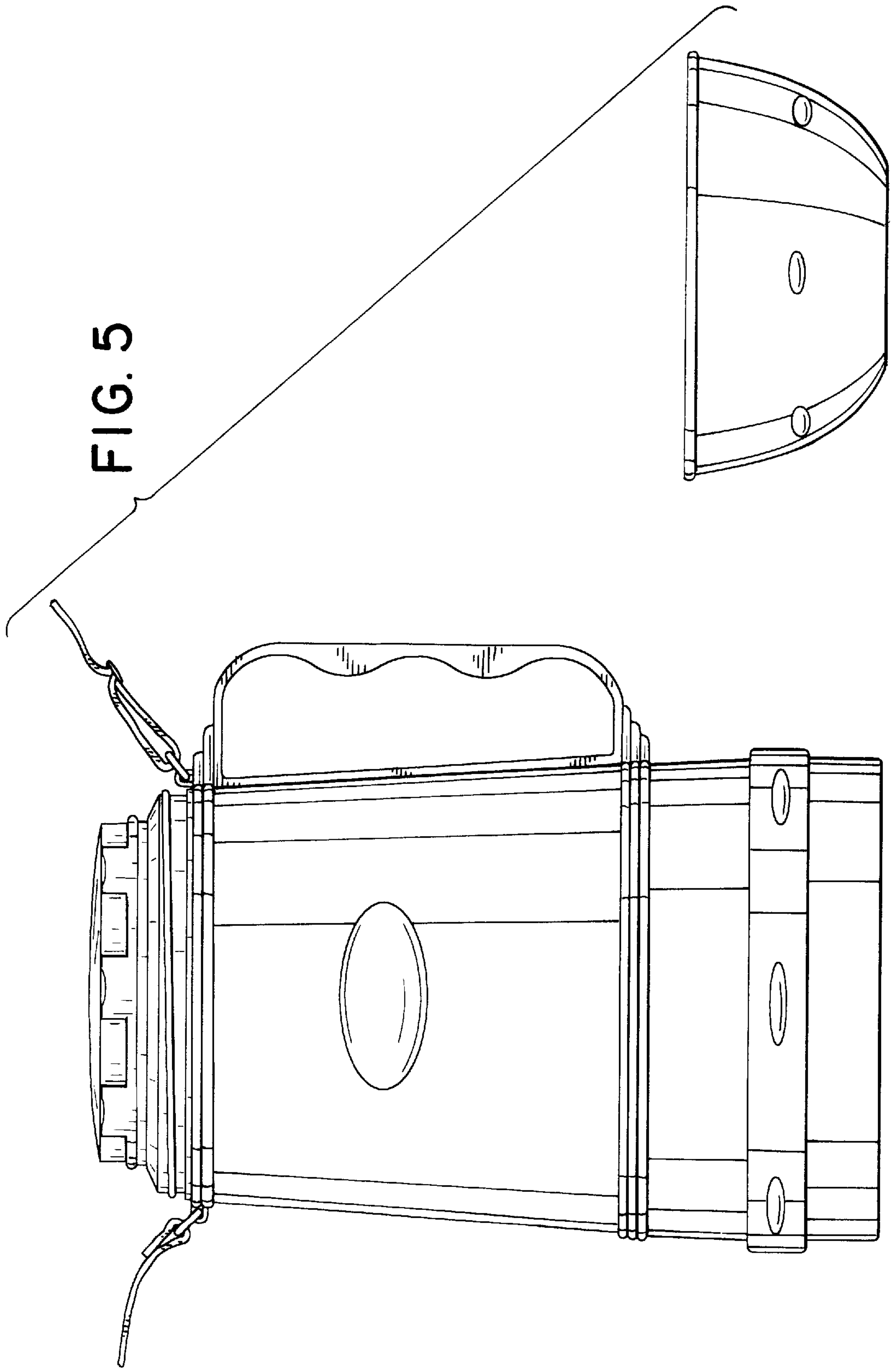


FIG. 6

