



US00D406489S

United States Patent [19]

Williams et al.

[11] Patent Number: **Des. 406,489**

[45] Date of Patent: ****Mar. 9, 1999**

[54] **BARBECUE GRILL**

[75] Inventors: **Ben Williams**, Joplin; **Henry Schubert**, **Steven Speck**, both of Neosho, all of Mo.; **Danene Jaffe**, Weston, Fla.; **Luis Pedraza**, West Roxbury, Mass.; **Mark Bates**, Bellingham, Mass.; **Greg Hunter**, Dover, Mass.; **Eric Cohen**, Wellesley, Mass.; **Kevin Young**, Brighton, Mass.

[73] Assignee: **Sunbeam Products, Inc.**, Delray Beach, Fla.

[**] Term: **14 Years**

[21] Appl. No.: **74,642**

[22] Filed: **Aug. 7, 1997**

[51] **LOC (6) Cl.** **07-02**

[52] **U.S. Cl.** **D7/334**

[58] **Field of Search** D7/332-338, 402-404, D7/406, 409; 99/419, 421 R, 421 A, 421 HV, 421 HH, 421 TP, 421 V; 126/25 R, 25 A, 25 AA, 26, 9, 40, 41 R, 41 A, 41 B

[56] **References Cited**

U.S. PATENT DOCUMENTS

D. 196,996	11/1963	Kates	D7/334
D. 373,701	9/1996	Moore	D7/334
5,033,449	7/1991	Hanagan	126/39 BA
5,163,358	11/1992	Hanagan et al.	99/339
5,406,159	4/1995	Bussey	126/25 R
5,505,190	4/1996	Kalenian	126/41 R

Primary Examiner—Ruth McInroy

Attorney, Agent, or Firm—Thorp, Reed & Armstrong

[57] **CLAIM**

The ornamental design for a barbecue grill, as shown.

DESCRIPTION

FIG. 1 is a front perspective view of a barbecue grill showing our new design;

FIG. 2 is a front elevational view thereof;

FIG. 3 is a left side elevational view thereof;

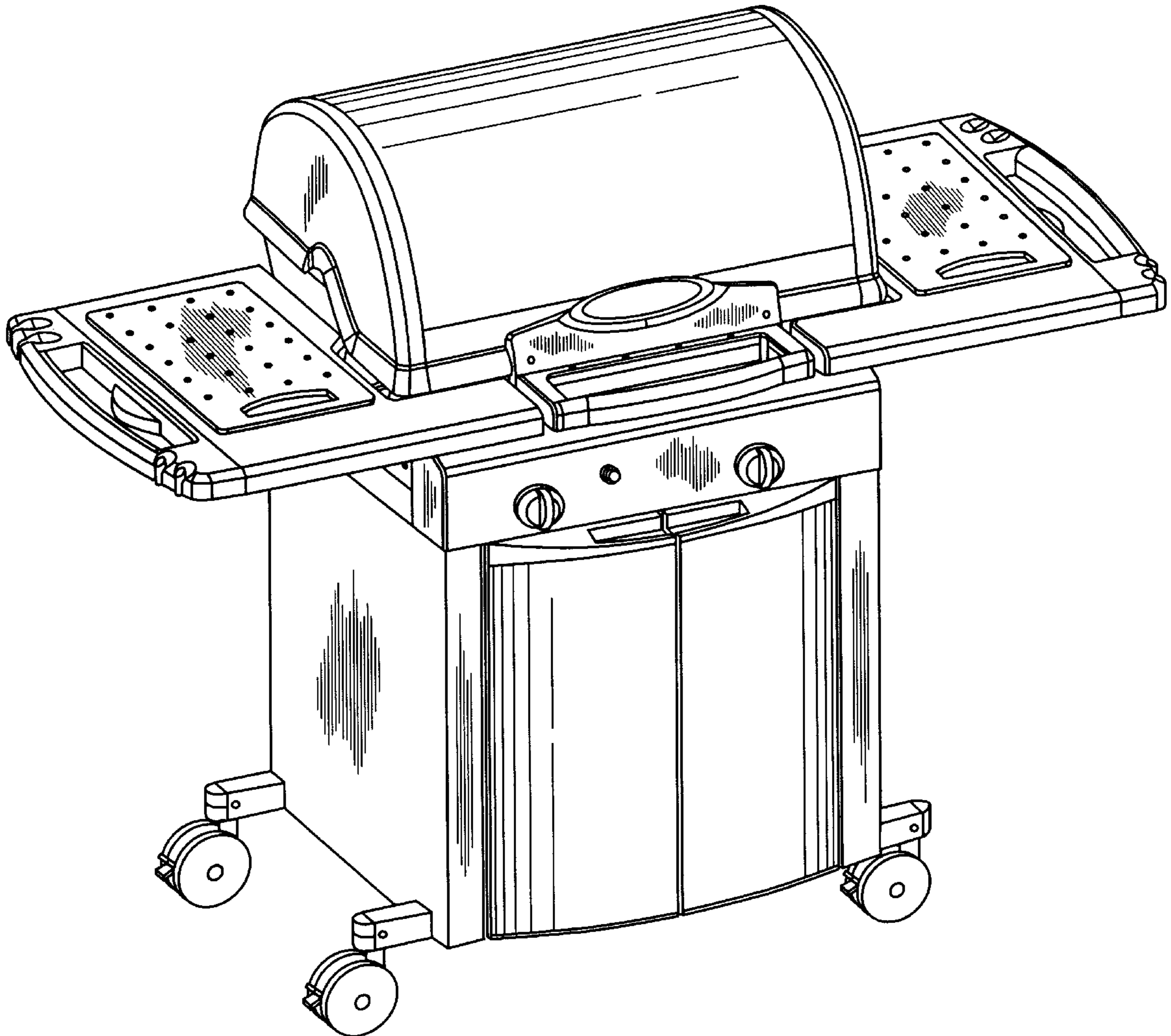
FIG. 4 is a right side elevational view thereof;

FIG. 5 is a rear elevational view thereof;

FIG. 6 is a top plan view thereof; and,

FIG. 7 is a bottom plan view thereof.

1 Claim, 7 Drawing Sheets



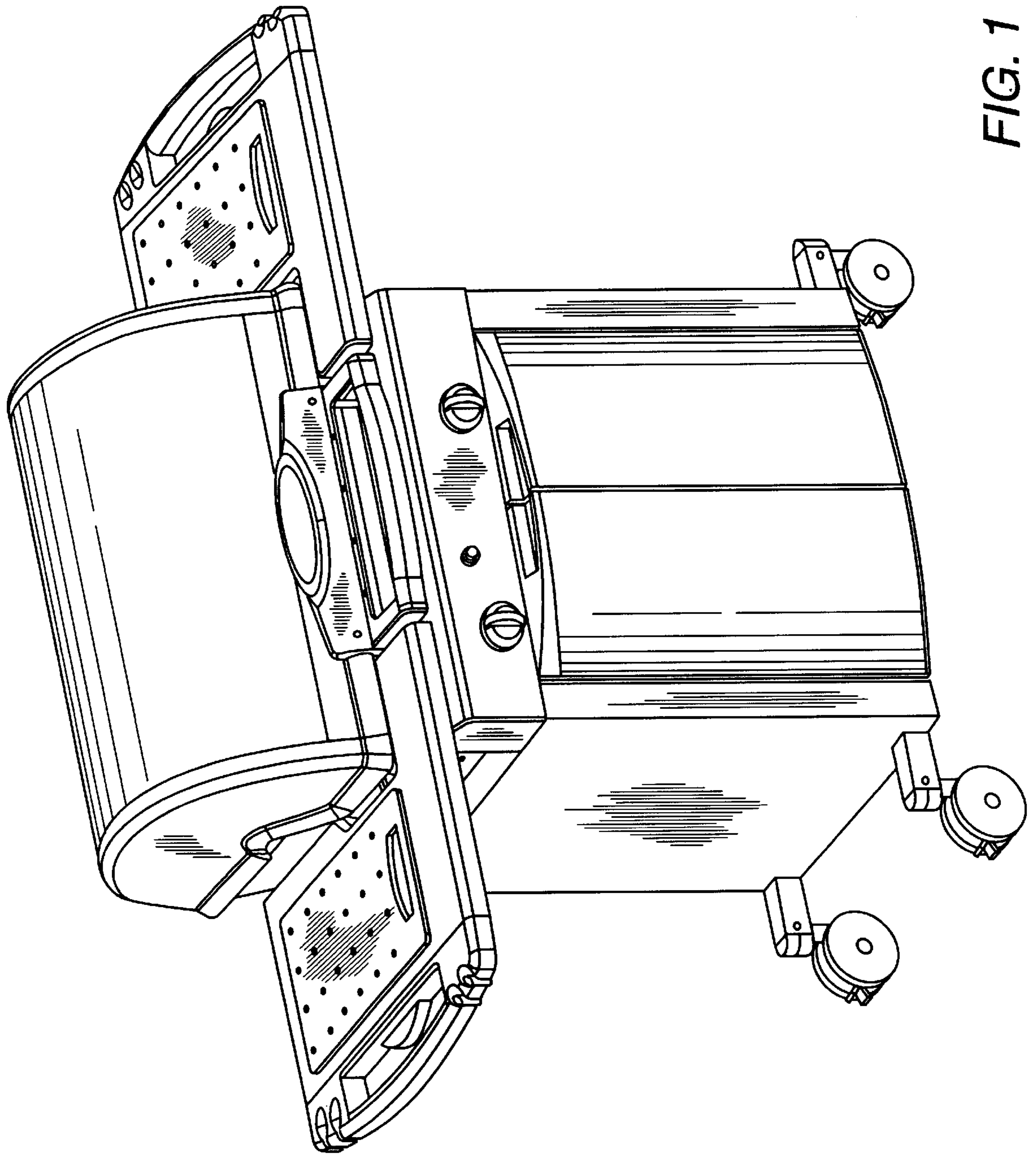


FIG. 1

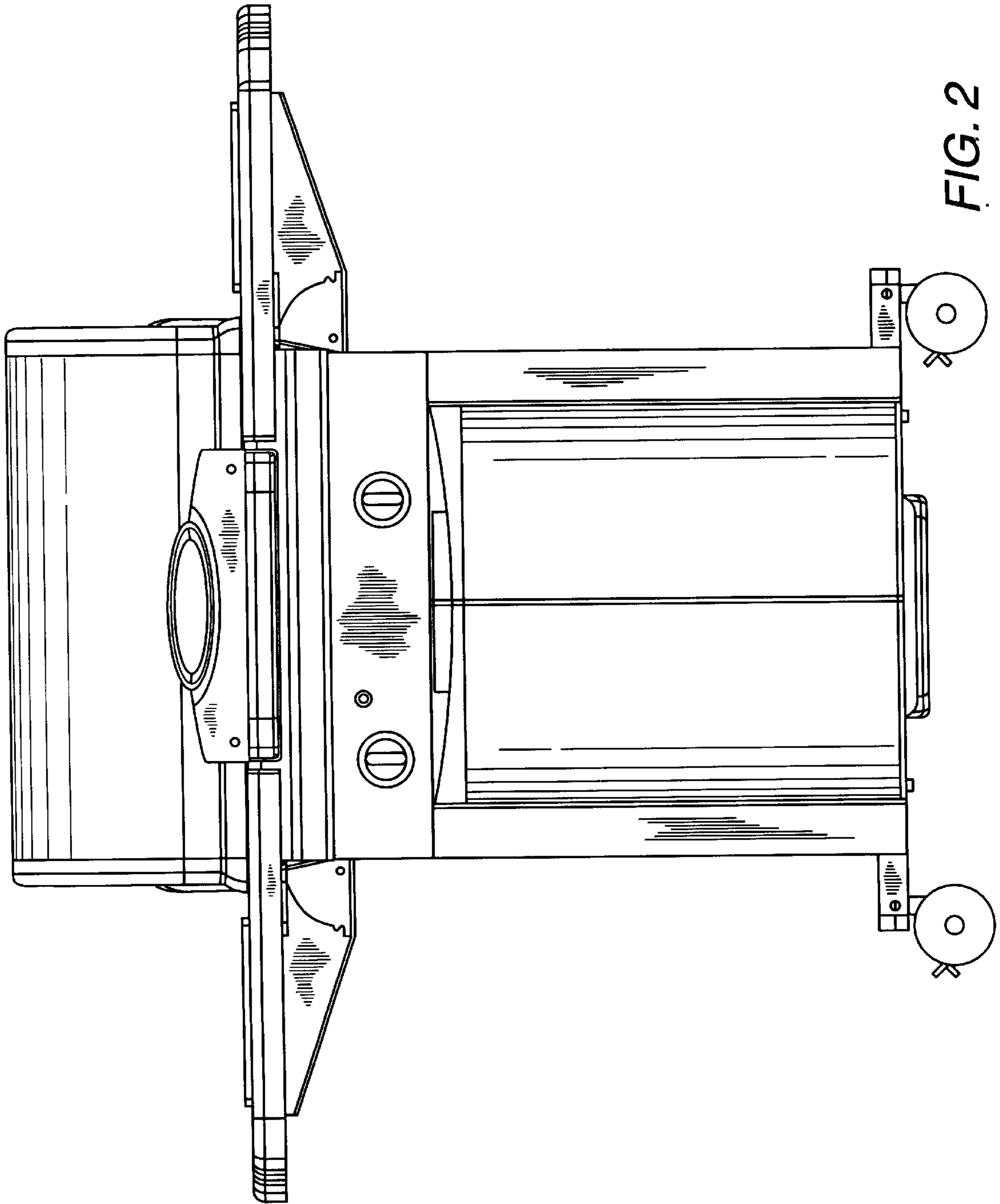


FIG. 2

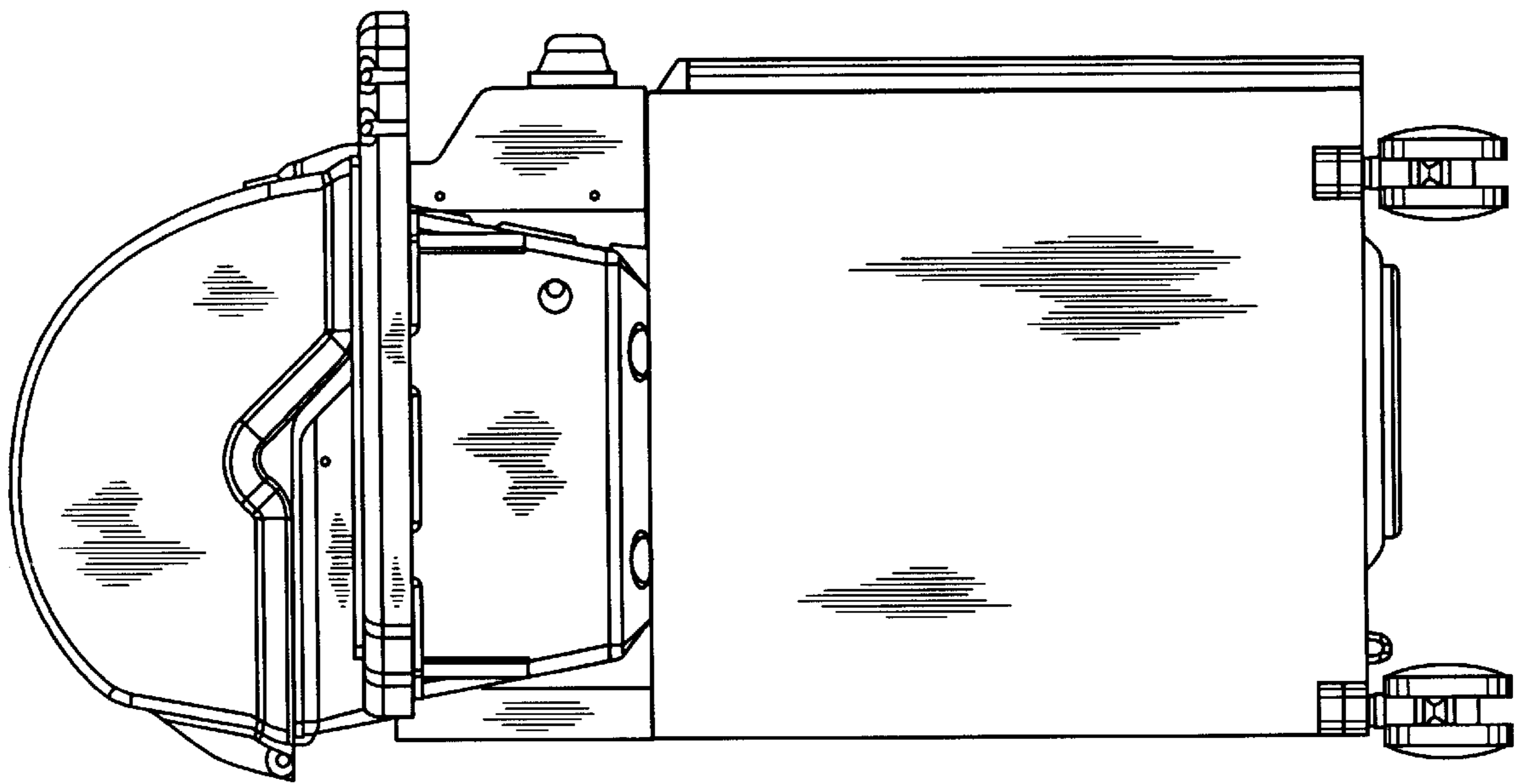


FIG. 3

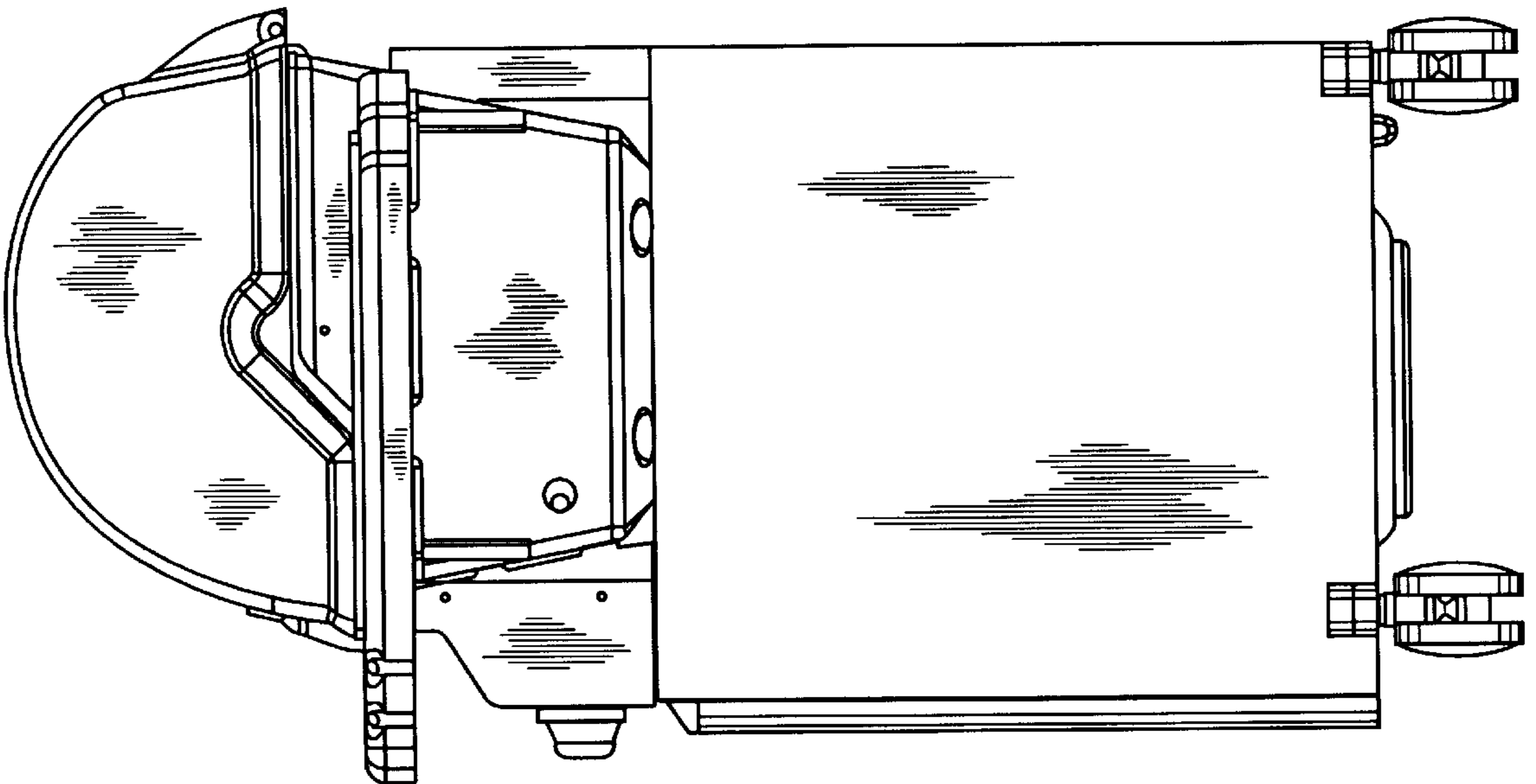


FIG. 4

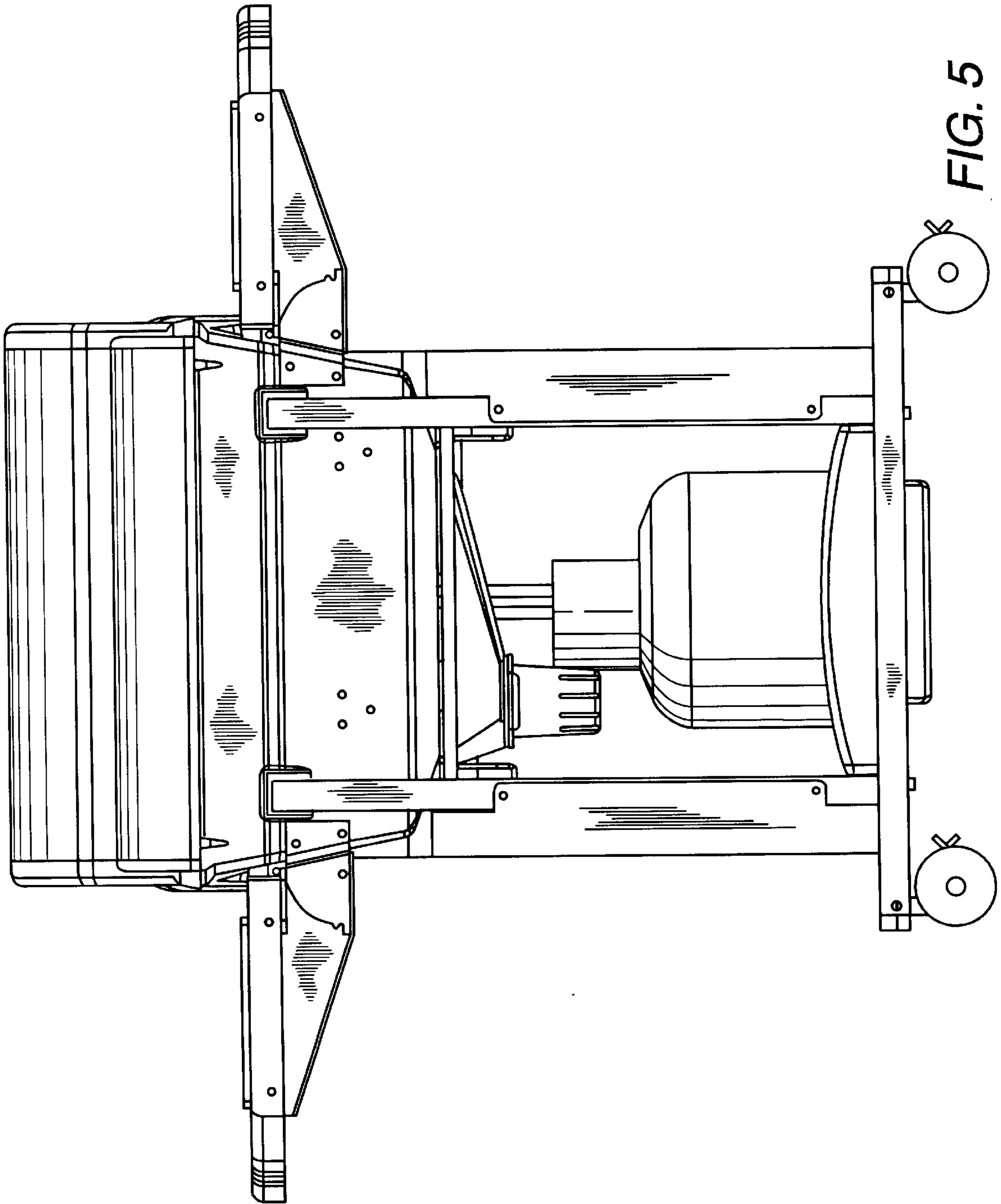


FIG. 5

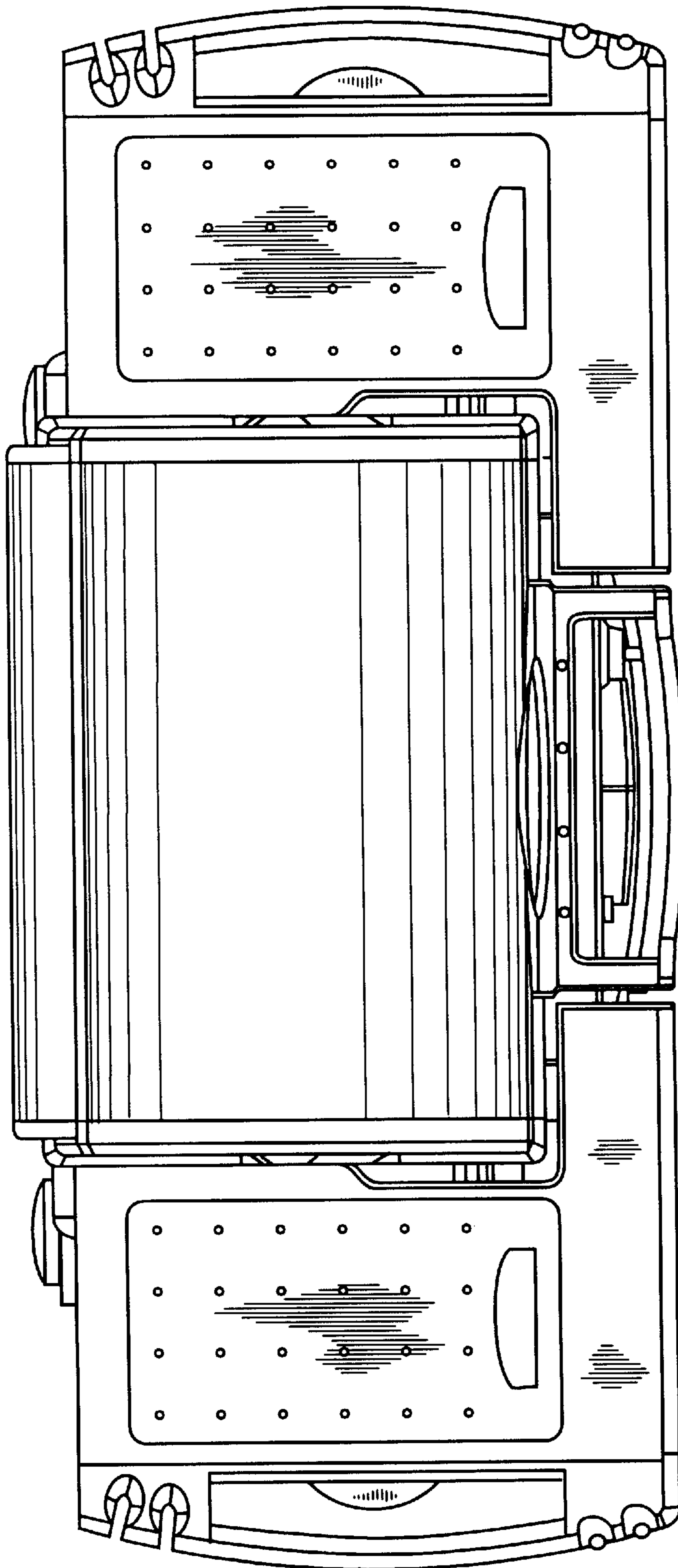


FIG. 6

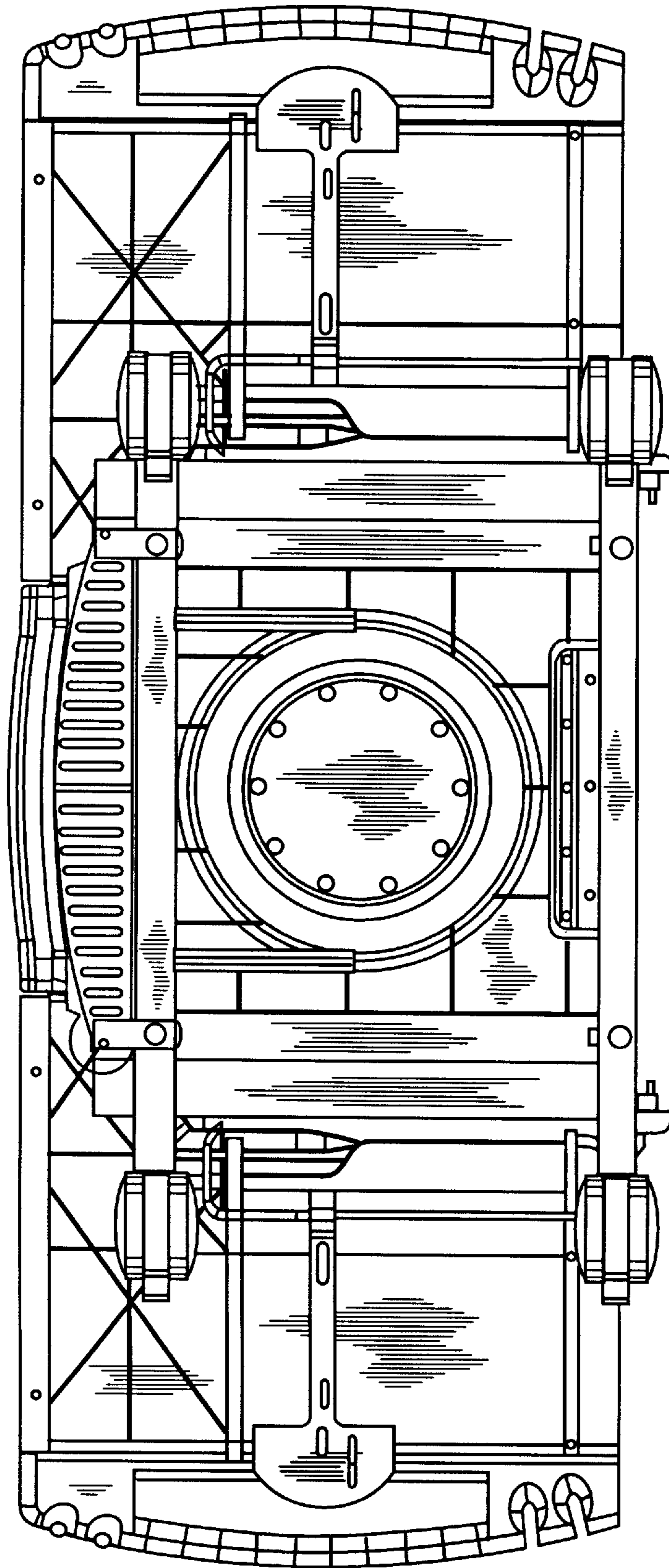


FIG. 7