



US00D406488S

United States Patent [19]

Bates et al.

[11] Patent Number: Des. 406,488

[45] Date of Patent: **Mar. 9, 1999

[54] GRILL

[75] Inventors: **Mark Bates**, Bellingham; **Greg Hunter**, Dover; **Luis Pedraza**, West Roxbury; **Kevin Young**, Brighton, all of Mass.; **Augusto A. Picozza**, Crystal Lake, Ill.

[73] Assignee: **Sunbeam Products, Inc.**, Delray Beach, Fla.

[**] Term: **14 Years**

[21] Appl. No.: **70,035**

[22] Filed: **Apr. 25, 1997**

[51] LOC (6) Cl. **07-02**

[52] U.S. Cl. **D7/334**

[58] Field of Search D7/332-338, 402-404, D7/406, 409; 99/419, 421 R, 421 A, 421 HV, 421 HH, 421 TP, 421 V; 126/25 R, 25 A, 25 AA, 26, 9, 40, 41 R, 41 A, 41 B

[56] **References Cited**

U.S. PATENT DOCUMENTS

D. 196,996 11/1963 Kates D7/334

D. 324,622	3/1992	Baynes et al. .	
D. 373,701	9/1996	Moore	D7/334
5,033,449	7/1991	Hanagan	126/39 BA
5,163,358	11/1992	Hanagan et al.	99/339
5,406,159	4/1995	Bussey	126/25 R
5,408,985	4/1995	Giebel et al. .	
5,490,494	2/1996	Giebel et al. .	
5,505,190	4/1996	Kalenian	126/41 R

Primary Examiner—Ruth McInroy
Attorney, Agent, or Firm—Thorp Reed & Armstrong

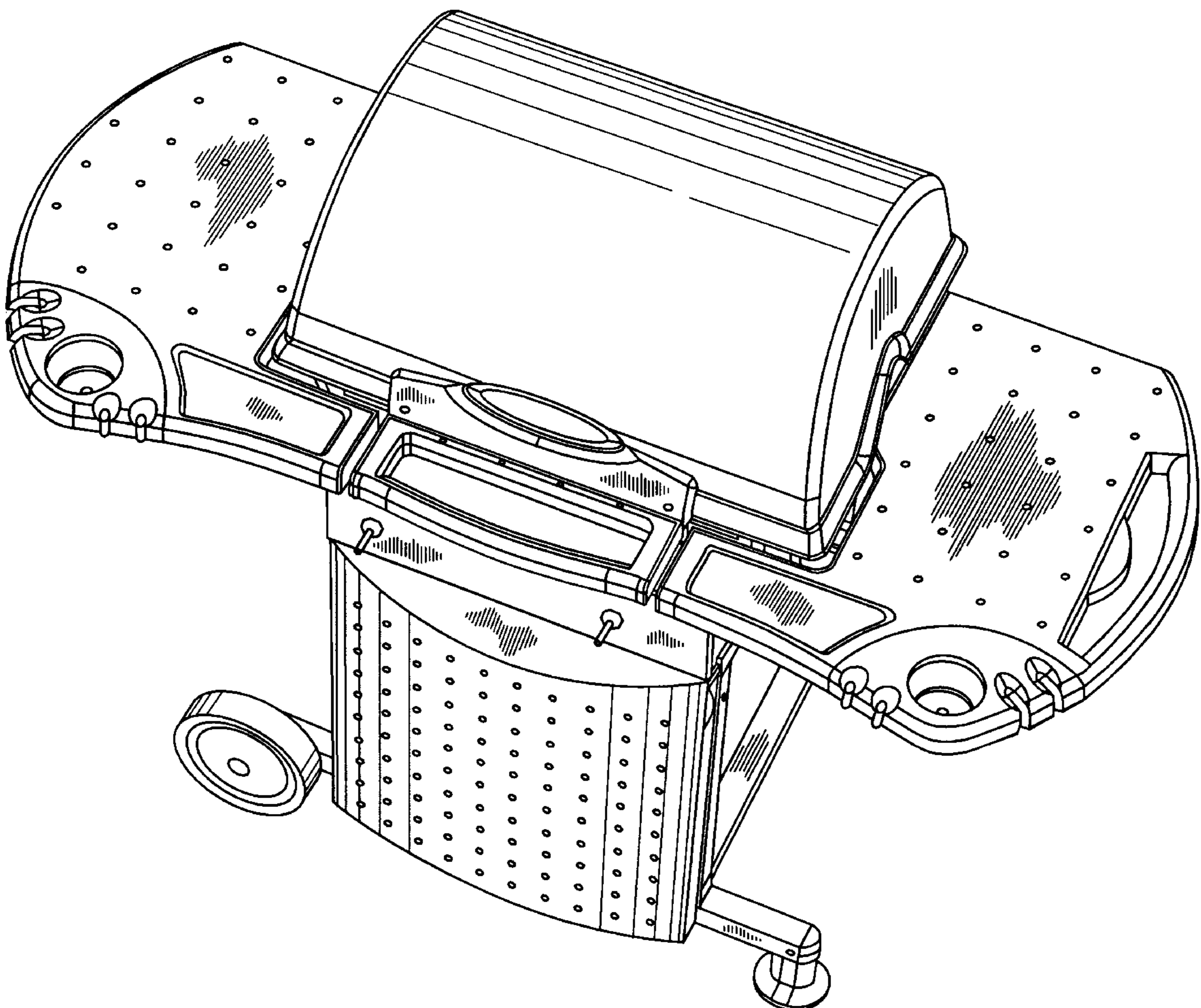
[57] **CLAIM**

The ornamental design for a grill, as shown and described.

DESCRIPTION

FIG. 1 is an isometric view of a grill showing our new design;
FIG. 2 is a front elevational view of the grill of FIG. 1;
FIG. 3 is a rear elevational view of the grill of FIG. 1;
FIG. 4 is a right side elevational view of the grill of FIG. 1;
FIG. 5 is a left side elevational view of the grill of FIG. 1;
and,
FIG. 6 is a top plan view of the grill of FIG. 1.
The bottom of the grill is plain and unornamented.

1 Claim, 6 Drawing Sheets



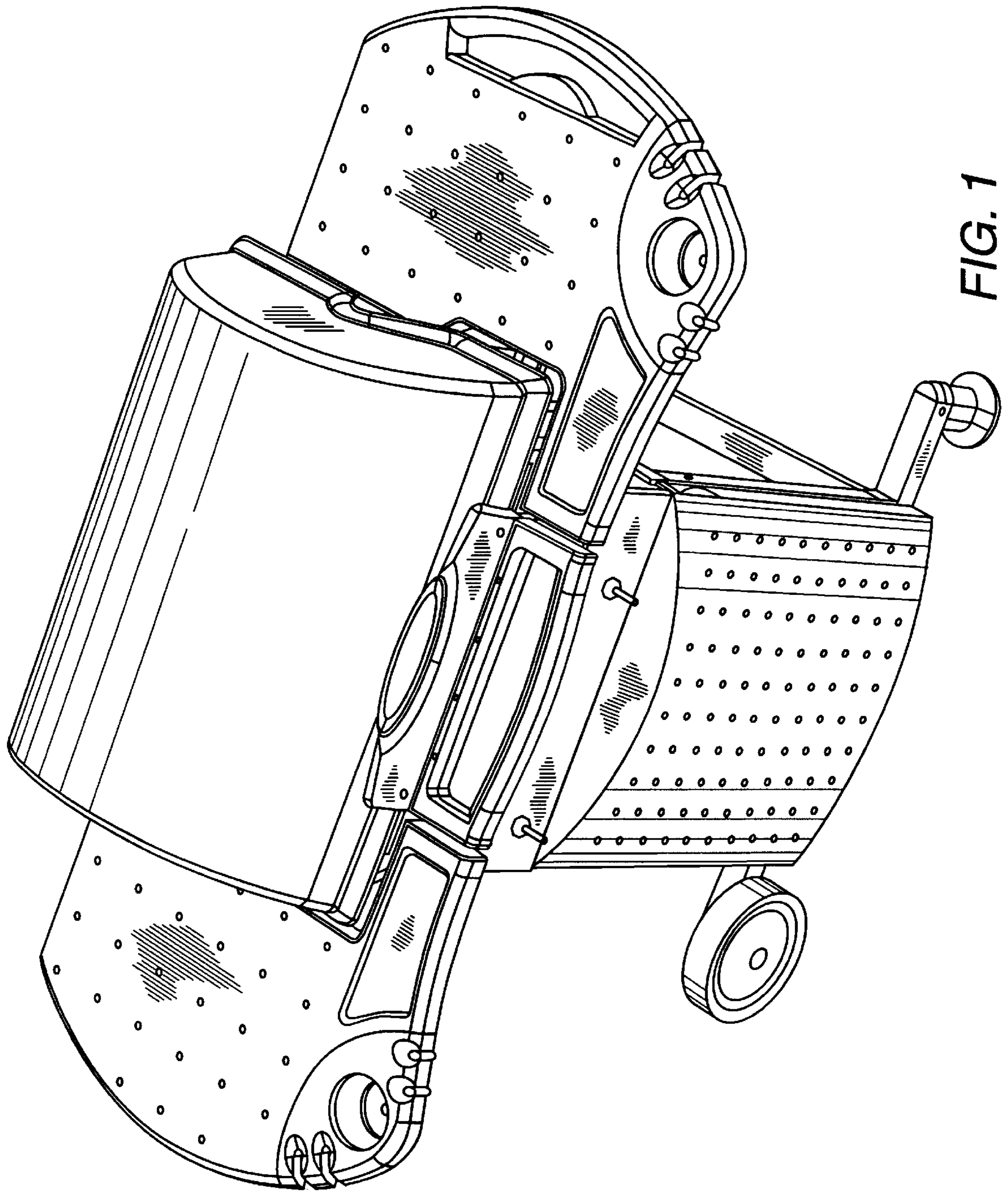


FIG. 1

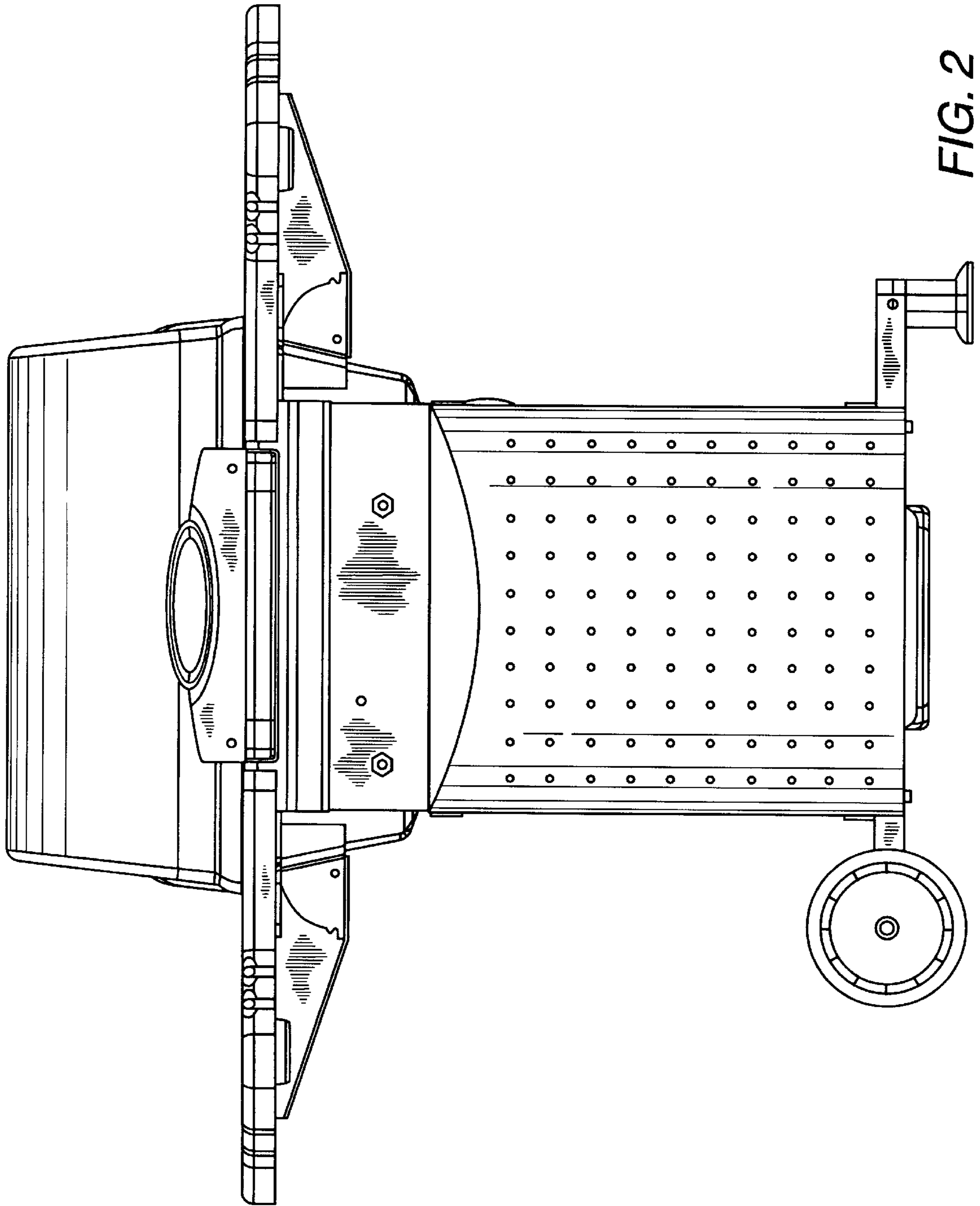


FIG. 2

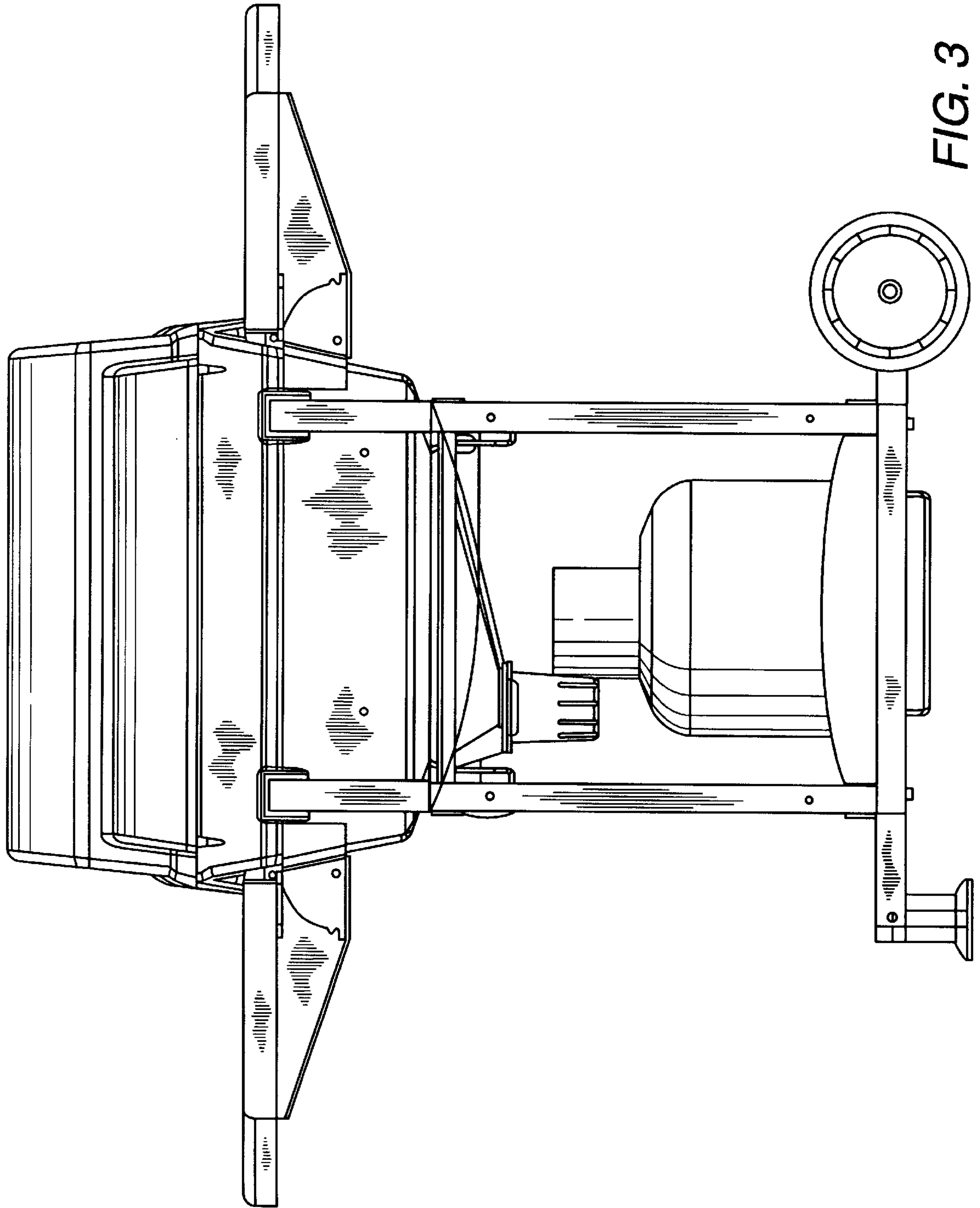


FIG. 3

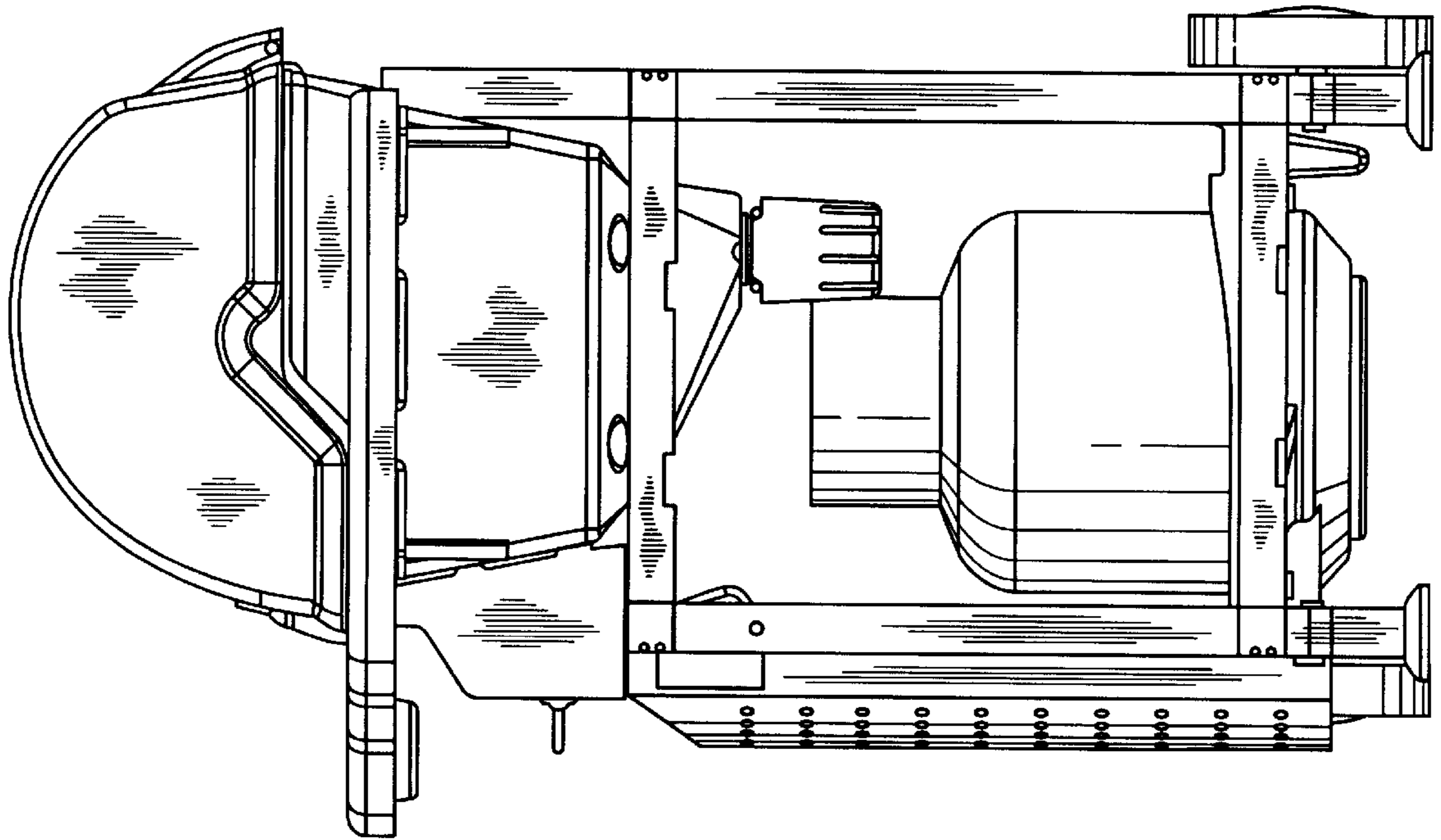


FIG. 4

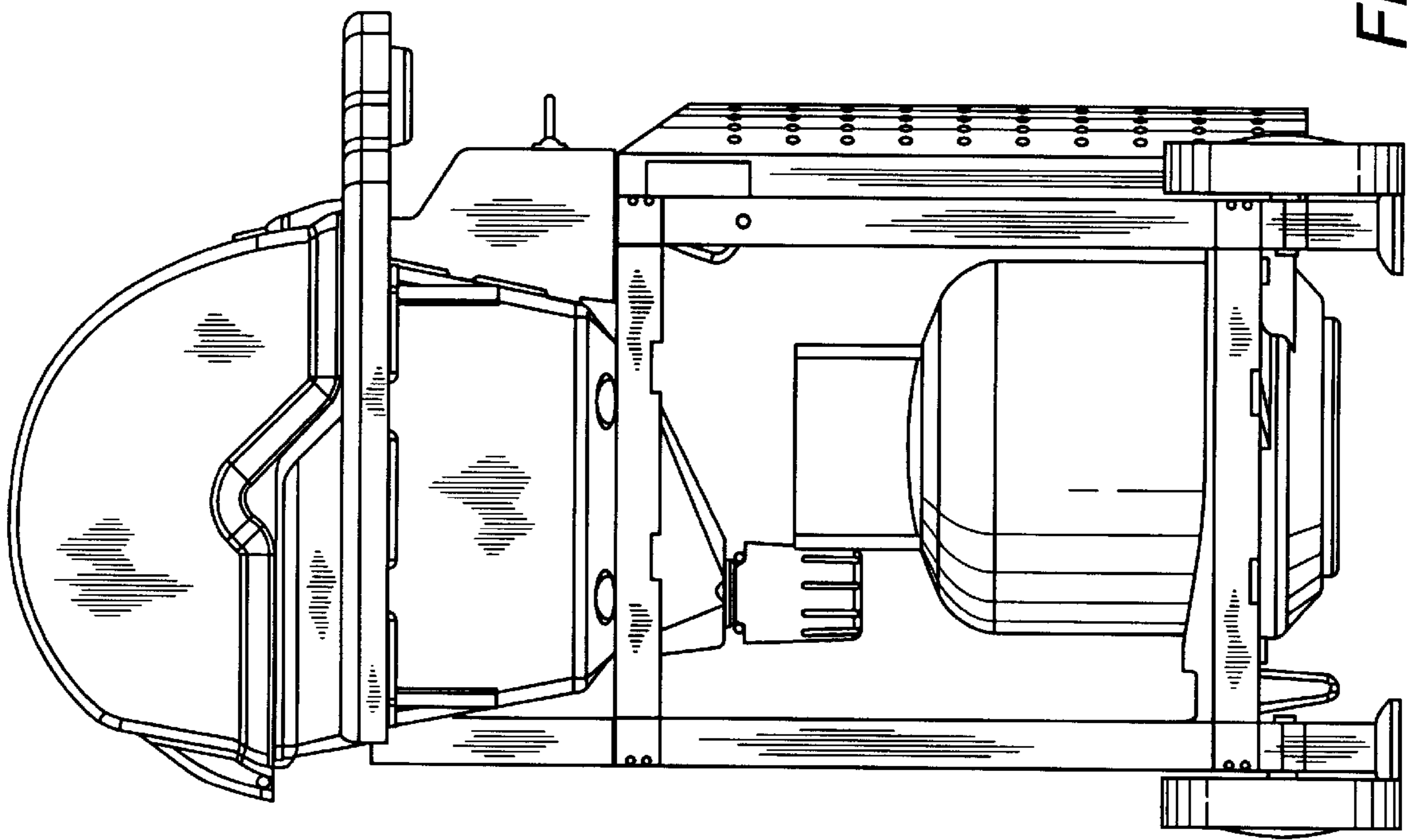


FIG. 5

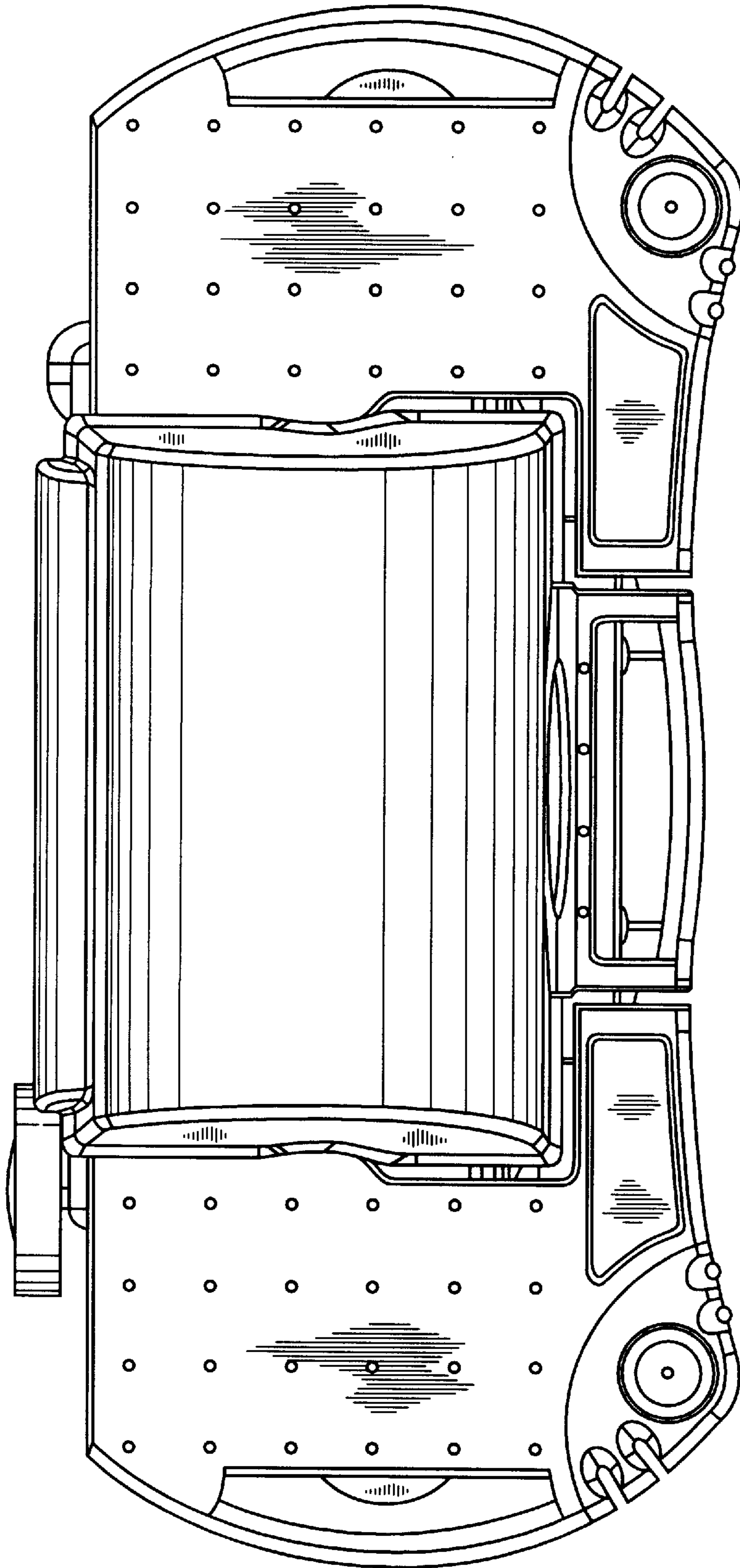


FIG. 6