



US00D406487S

United States Patent [19]

Attar et al.

[11] **Patent Number: Des. 406,487**

[45] **Date of Patent: **Mar. 9, 1999**

[54] **DISK HOLDER**

[75] Inventors: **Shanas Attar**, 1028 7th St., #202, Santa Monica, Calif. 90403; **Donal Gibson**, 2700 Neilson Way, #1536, Santa Monica, Calif. 90405; **Sean Lawlor**, 950 Second St., #107, Santa Monica, Calif. 90403

[73] Assignees: **Shanas Attar; Donal Gibson; Sean Lawlor**, all of Santa Monica; **Icon F/X, Inc.**, Burbank, all of Calif.

[**] Term: **14 Years**

[21] Appl. No.: **83,262**

[22] Filed: **Feb. 6, 1998**

[51] **LOC (6) Cl. 06-04**

[52] **U.S. Cl. D6/632; D6/627**

[58] **Field of Search D6/407, 408, 626, D6/627, 629, 631, 632, 634, 635; 206/307-308.1, 312, 313, 425; D19/33, 75, 76**

[56] **References Cited**

U.S. PATENT DOCUMENTS

- D. 341,738 11/1993 Balanesi D6/407
- D. 384,538 10/1997 Bosworth D6/632
- D. 392,500 3/1998 McEwan D6/634

- 3,908,824 9/1975 Takahara et al. 206/815
- 4,694,957 9/1987 Ackeret 206/308.1
- 5,000,316 3/1991 Lerner 206/308.1
- 5,360,107 11/1994 Chasin et al. 206/308.1
- 5,544,741 8/1996 Fantone et al. 206/308.1
- 5,715,970 2/1998 LeMaitre 206/312

Primary Examiner—Celia Murphy
Attorney, Agent, or Firm—Blakely, Sokoloff, Taylor & Zafman

[57] **CLAIM**

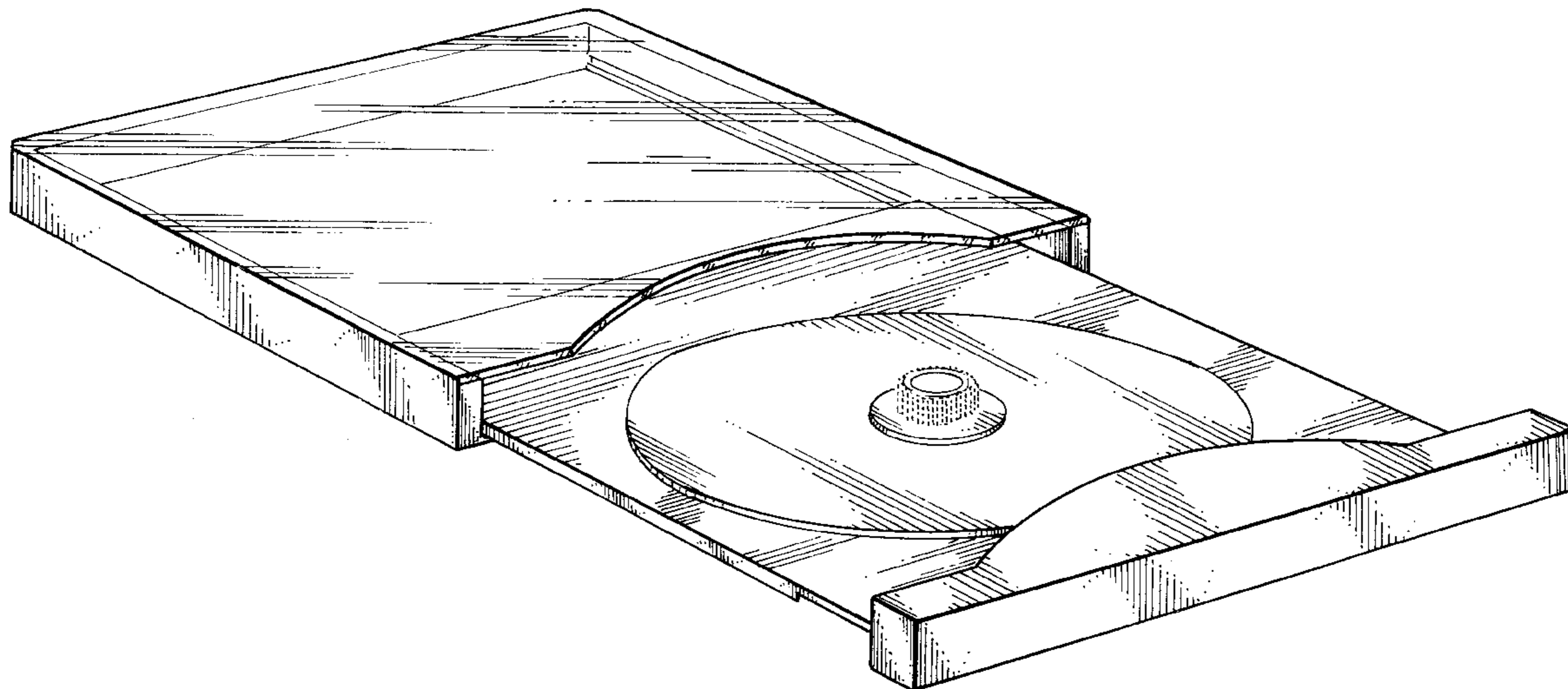
The ornamental design for a disk holder, as shown and described.

DESCRIPTION

FIG. 1 is a top front and left side perspective view showing our new design for a disk holder in an open position; FIG. 2 is a top plan view thereof; FIG. 3 is a bottom plan view thereof; FIG. 4 is a right side view thereof, the left side being a mirror image; FIG. 5 is a front elevational view thereof; FIG. 6 is a rear elevational view thereof; and, FIG. 7 is a top front perspective view of the design with the disk holder in its closed position.

The broken lines showing the ridges around the central hub in FIGS. 1, 2, 4 and 7 are for illustrative purposes only and form no part of the claimed design.

1 Claim, 4 Drawing Sheets



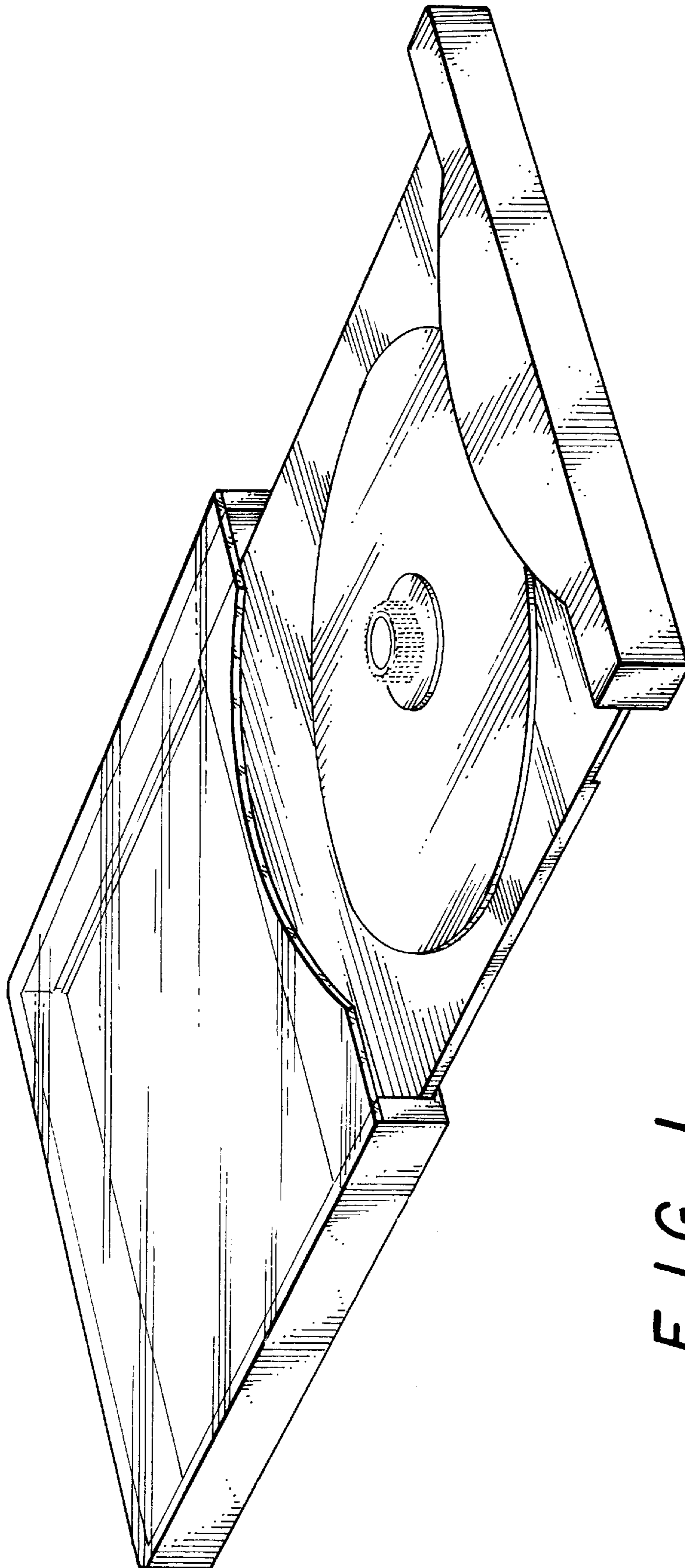


FIG. 1

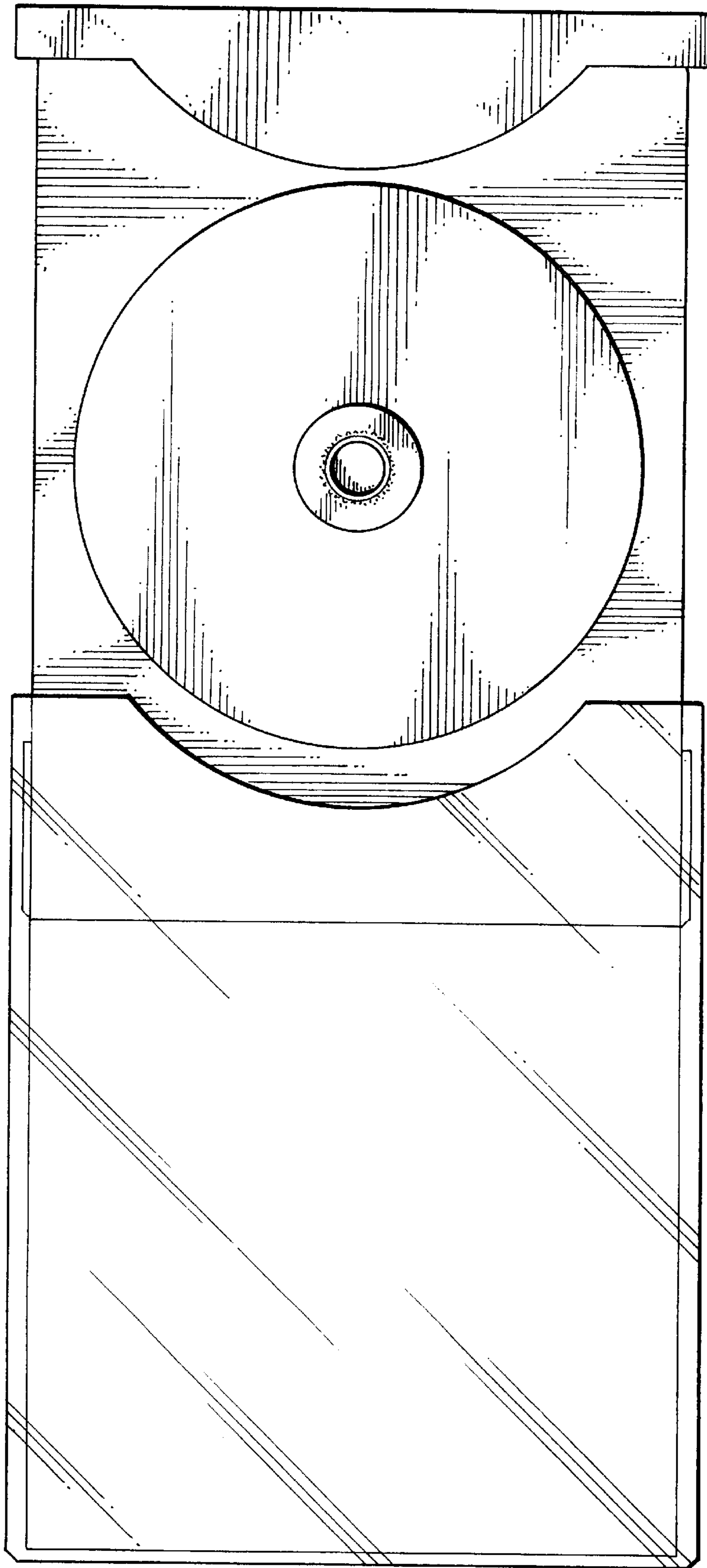


FIG. 2

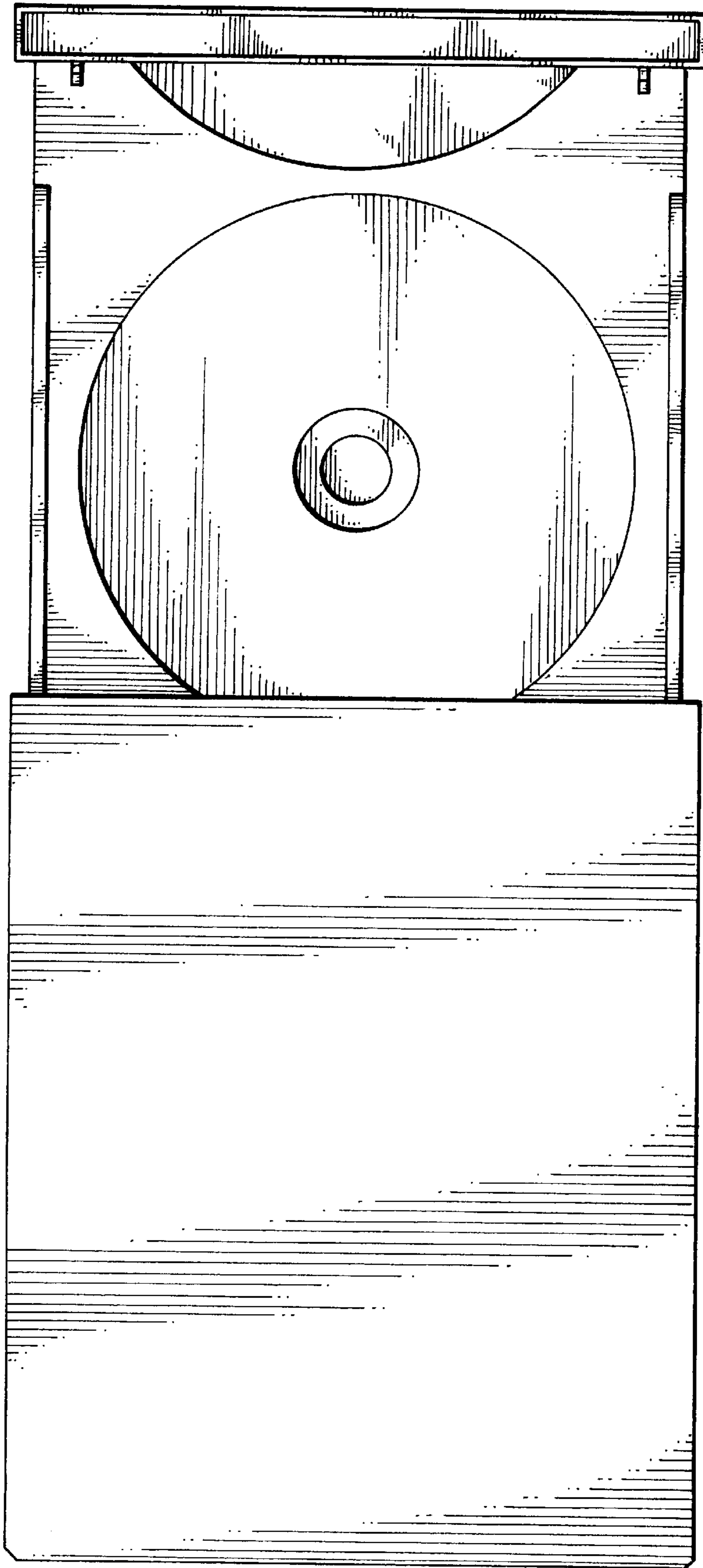


FIG. 3

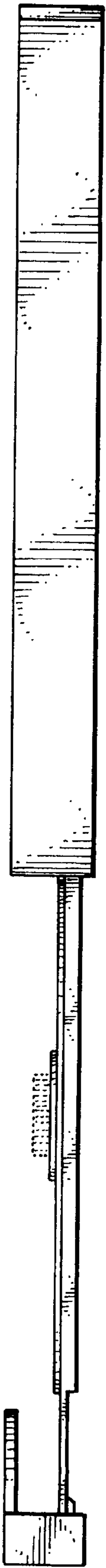


FIG. 4



FIG. 5

FIG. 6

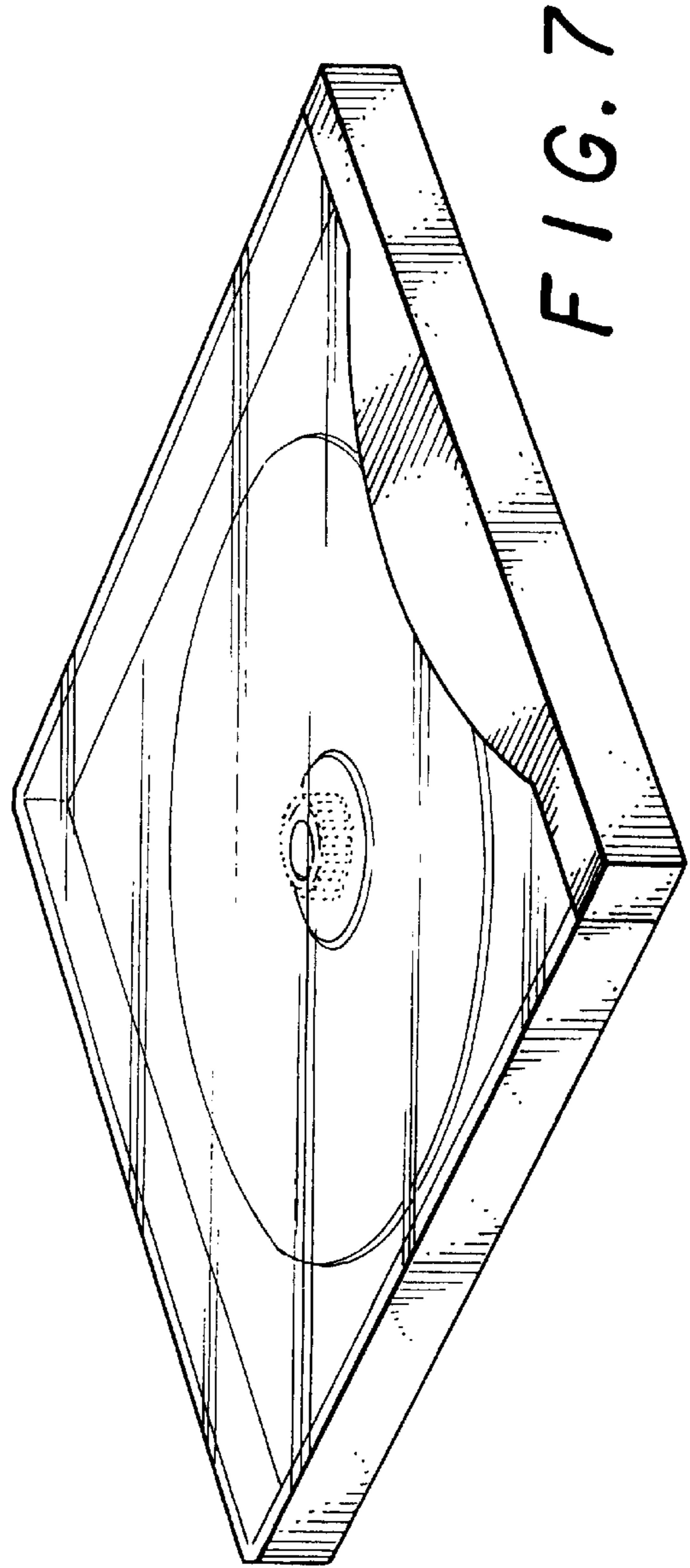


FIG. 7