



US00D406486S

# United States Patent [19] Ogilvie

[11] Patent Number: **Des. 406,486**

[45] Date of Patent: **\*\*Mar. 9, 1999**

[54] **LUMBAR SUPPORT**

[75] Inventor: **W. David Ogilvie**, Lakeside, Calif.

[73] Assignee: **Kinetic Diversified Industries, Inc.**,  
San Diego, Calif.

[\*\*] Term: **14 Years**

[21] Appl. No.: **87,016**

[22] Filed: **Apr. 24, 1998**

[51] LOC (6) Cl. .... **06-09**

[52] U.S. Cl. .... **D6/596; D6/601**

[58] Field of Search ..... D6/595, 596, 601,  
D6/604; 5/630, 633, 634, 636, 644, 652,  
653, 654, 655.3, 656, 655.9; 297/219.1,  
230.14, 284.5, 391, 397, 452.3, 452.31,  
452.32

[56] **References Cited**

**U.S. PATENT DOCUMENTS**

D. 341,509 11/1993 Evans ..... D6/502

3,279,849 10/1966 Radke et al. .... 297/284.5  
3,905,058 9/1975 Horsfield ..... 297/284.5  
5,015,036 5/1991 Fergie ..... 297/397  
5,237,713 8/1993 Prager ..... 5/722

*Primary Examiner*—Janice E. Seeger  
*Attorney, Agent, or Firm*—Brown, Martin, Haller &  
McClain, LLP

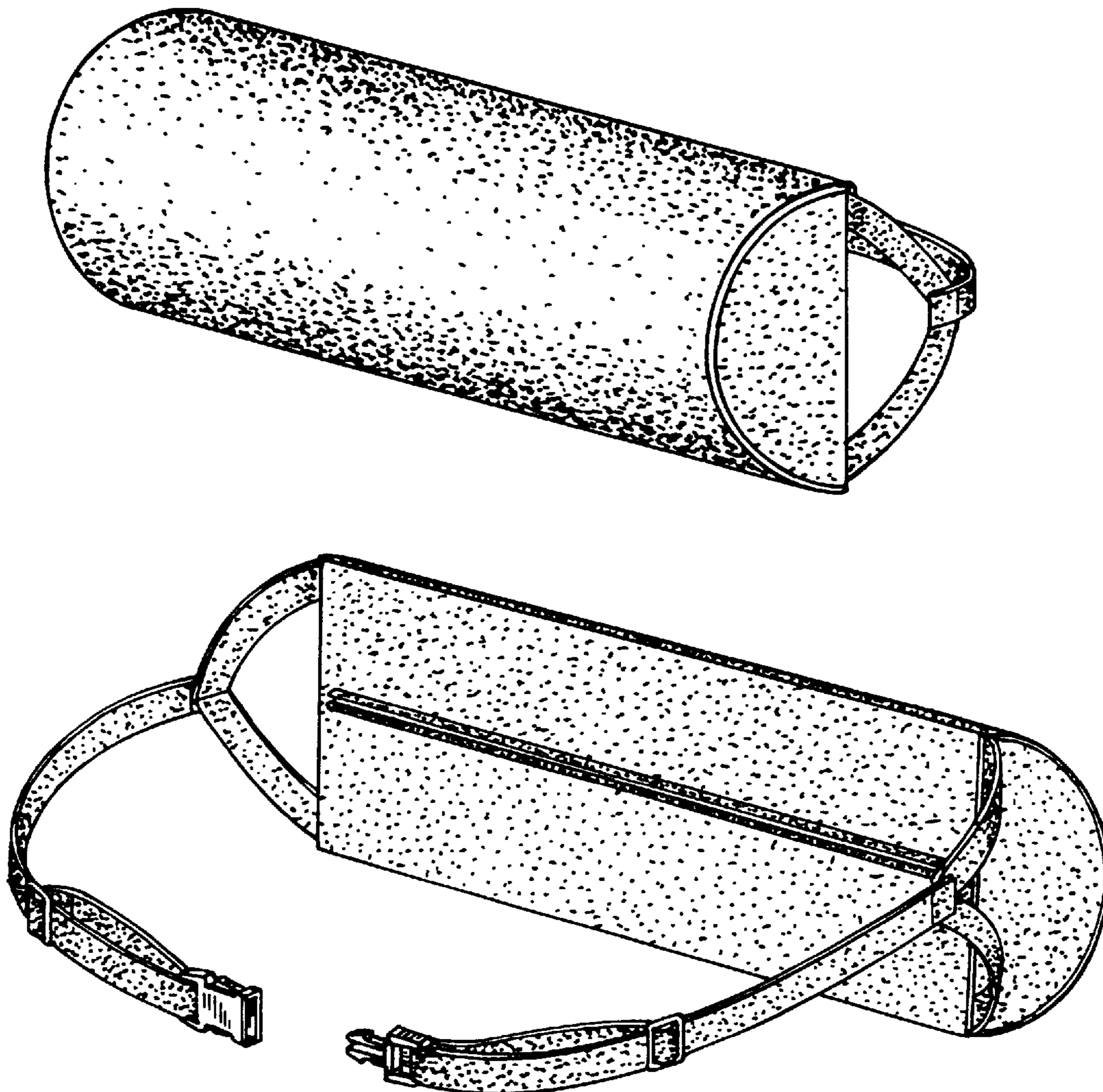
[57] **CLAIM**

The ornamental design for a lumbar support, as shown and described.

**DESCRIPTION**

FIG. 1 is a front perspective view of a lumbar support of the present invention, showing my new design; FIG. 2 is a rear perspective view thereof; FIG. 3 is a bottom plan view thereof; and, FIG. 4 is a side elevation view thereof, a portion of a chair back being shown in broken lines for environmental purposes only and forming no part of the claimed design.

**1 Claim, 1 Drawing Sheet**



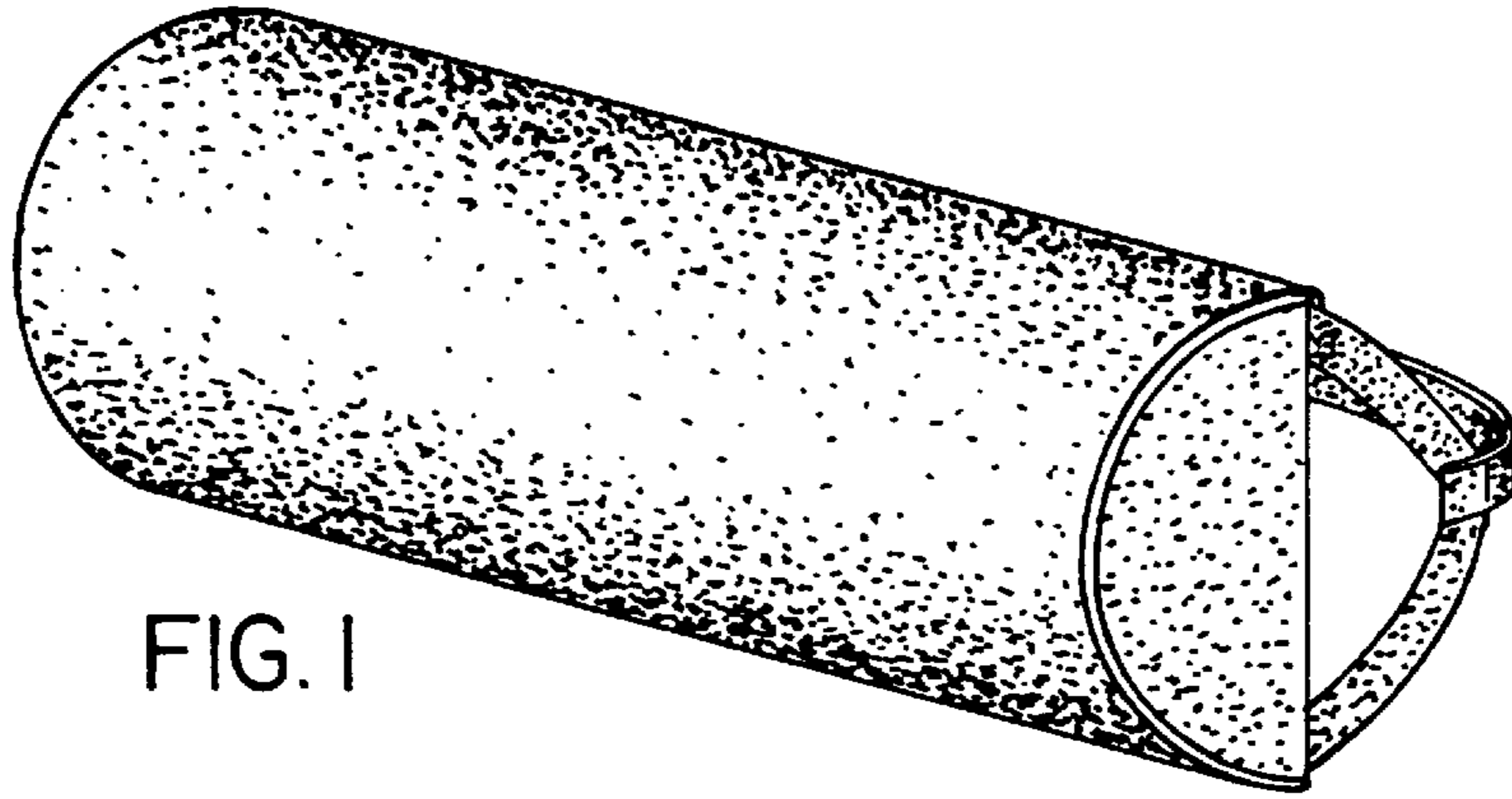


FIG. 1

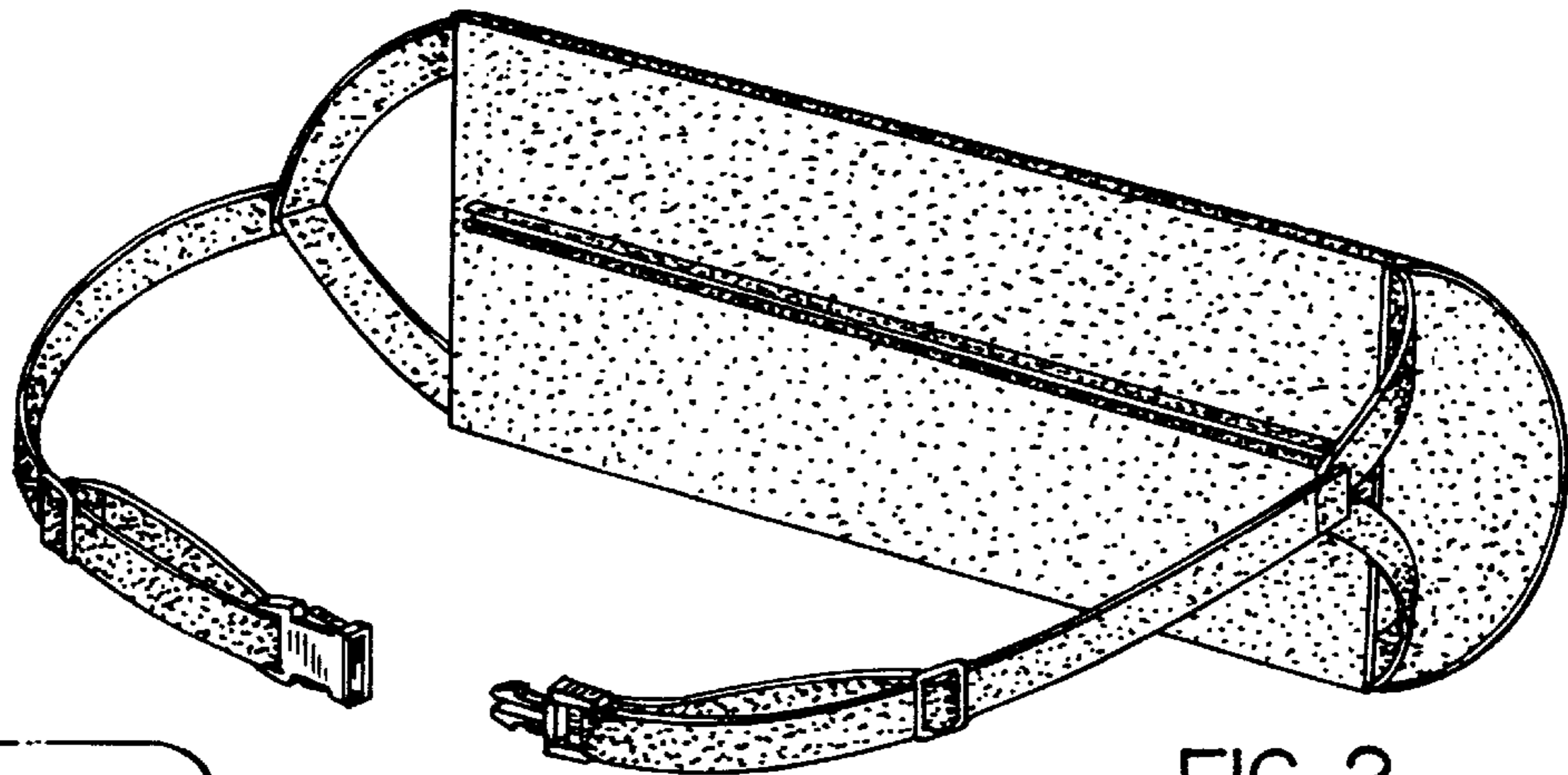


FIG. 2

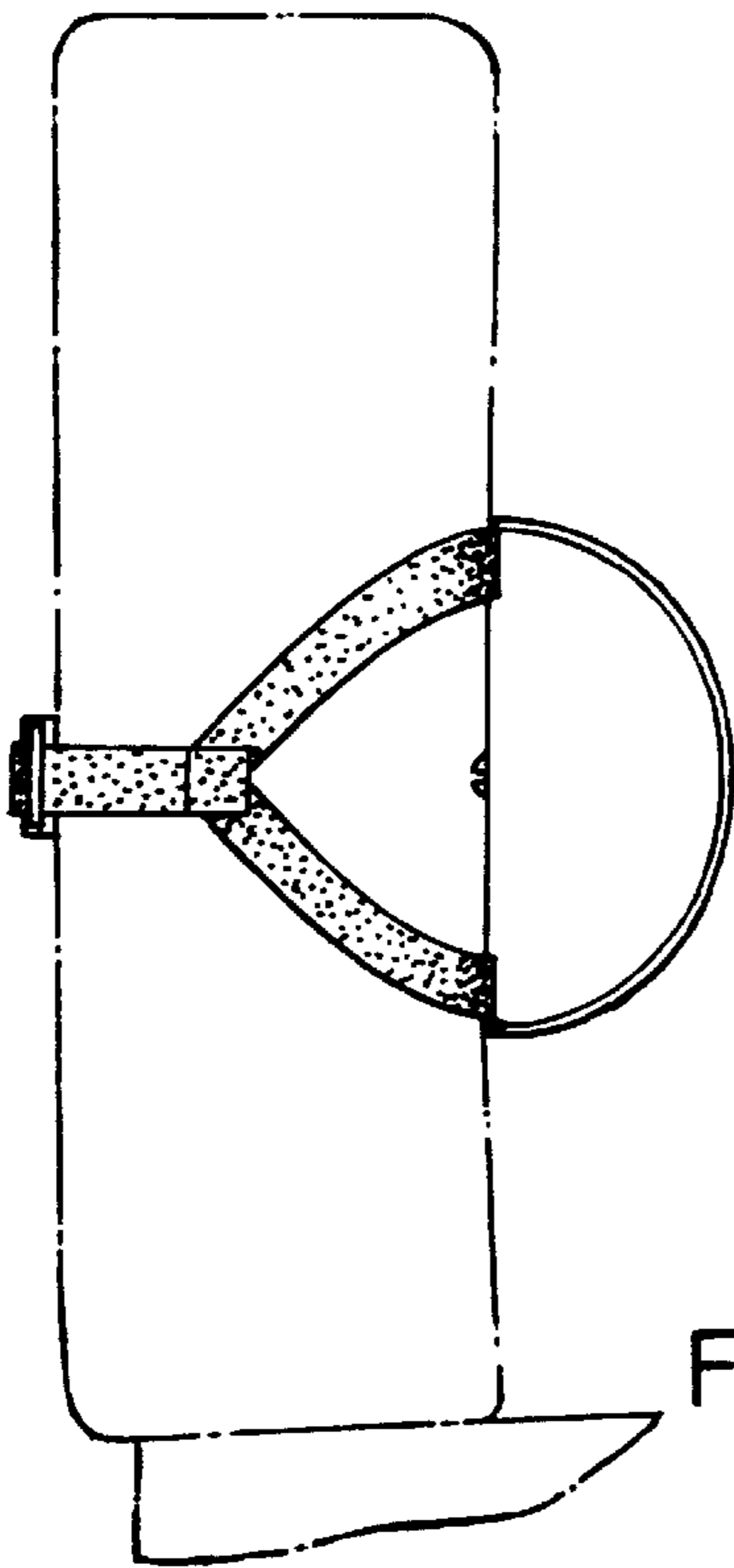


FIG. 4

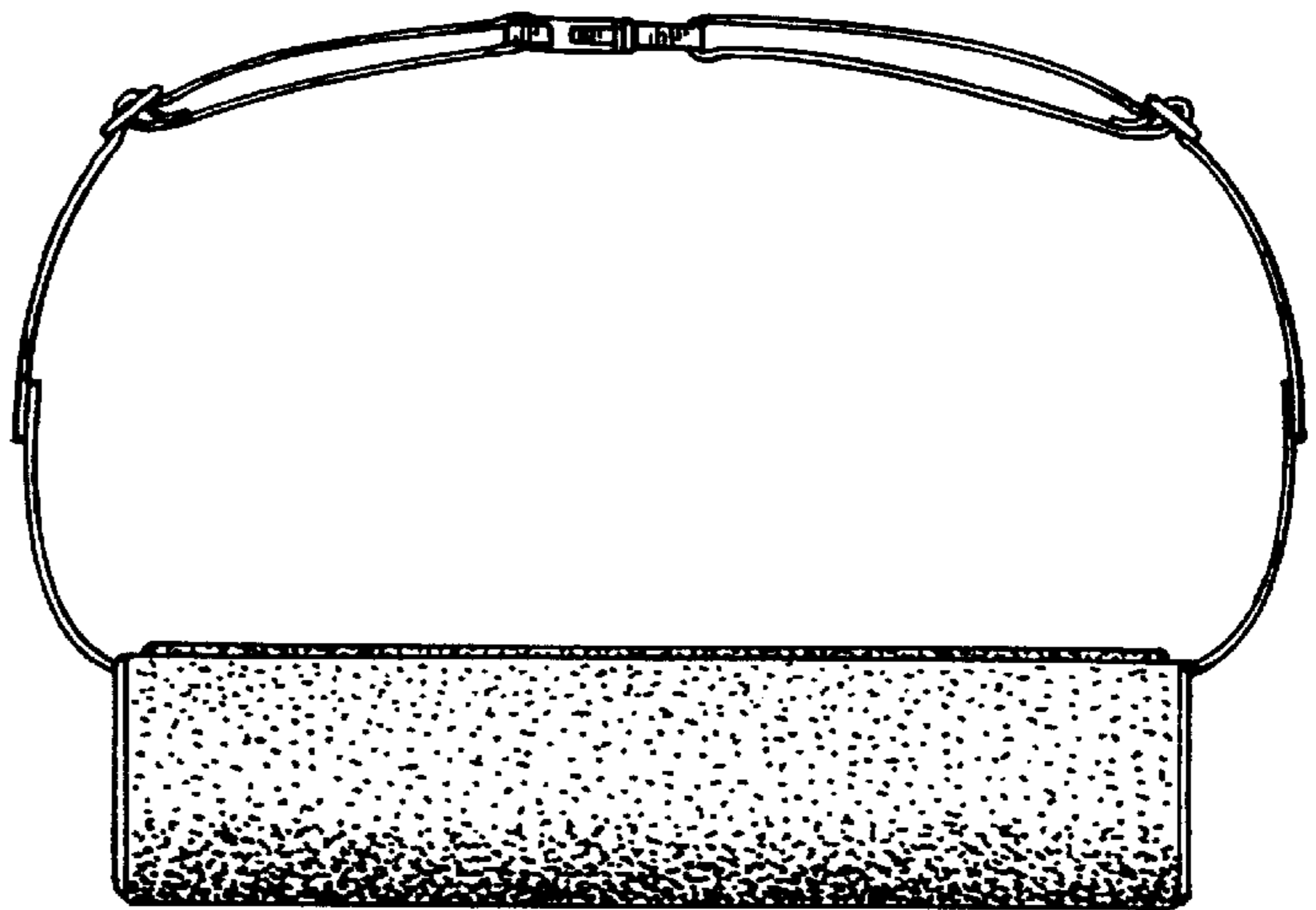


FIG. 3