



US00D406484S

**United States Patent** [19]  
**Wu**

[11] **Patent Number: Des. 406,484**

[45] **Date of Patent: \*\*Mar. 9, 1999**

[54] **HANGER AND RACK DEVICE**

[76] Inventor: **Pauli Wu**, 2F, 23 Shao-Hsing N. Rd.,  
Taipei, Taiwan

[\*\*] Term: **14 Years**

[21] Appl. No.: **69,126**

[22] Filed: **Apr. 11, 1997**

[51] **LOC (6) Cl. .... 06-04**

[52] **U.S. Cl. .... D6/566; D6/317; D6/320;**  
D6/572; D6/574

[58] **Field of Search .... D8/363, 381; D6/550,**  
D6/534, 535, 536, 566, 317, 320, 574,  
527, 570, 572, 567; 211/90.03, 106

[56] **References Cited**

**U.S. PATENT DOCUMENTS**

D. 282,995 3/1986 Beverly ..... D6/567  
D. 346,521 5/1994 Rosenthal ..... D6/566  
D. 349,208 8/1994 Bollenbacher ..... D6/550

3,419,155 12/1968 Black et al. .... 211/90.03  
4,361,099 11/1982 Kokenge et al. .... D6/566  
5,351,842 10/1994 Remmers ..... 211/90.03

*Primary Examiner*—B. J. Bullock

*Attorney, Agent, or Firm*—Beveridge, DeGrandi, Weilacher  
& Young, LLP

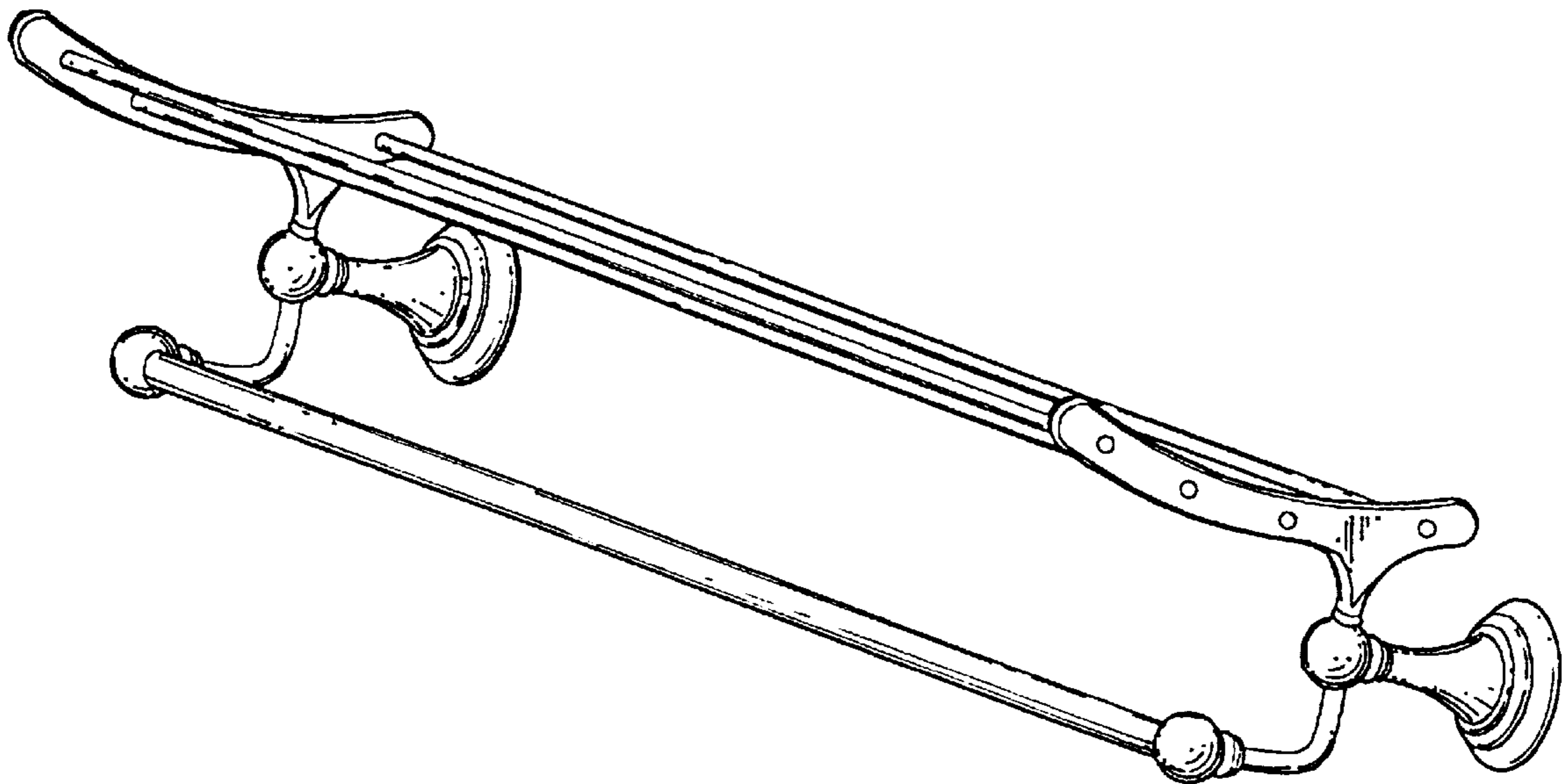
[57] **CLAIM**

The ornamental design for a hanger and rack device, as  
shown and described.

**DESCRIPTION**

FIG. 1 is the perspective view of a hanger and rack device  
showing my new design;  
FIG. 2 is the front elevational view thereof;  
FIG. 3 is the rear elevational view thereof;  
FIG. 4 is the left side elevational view thereof;  
FIG. 5 is the right side elevational view thereof;  
FIG. 6 is the top plan view thereof; and,  
FIG. 7 is the bottom plan view thereof.

**1 Claim, 4 Drawing Sheets**



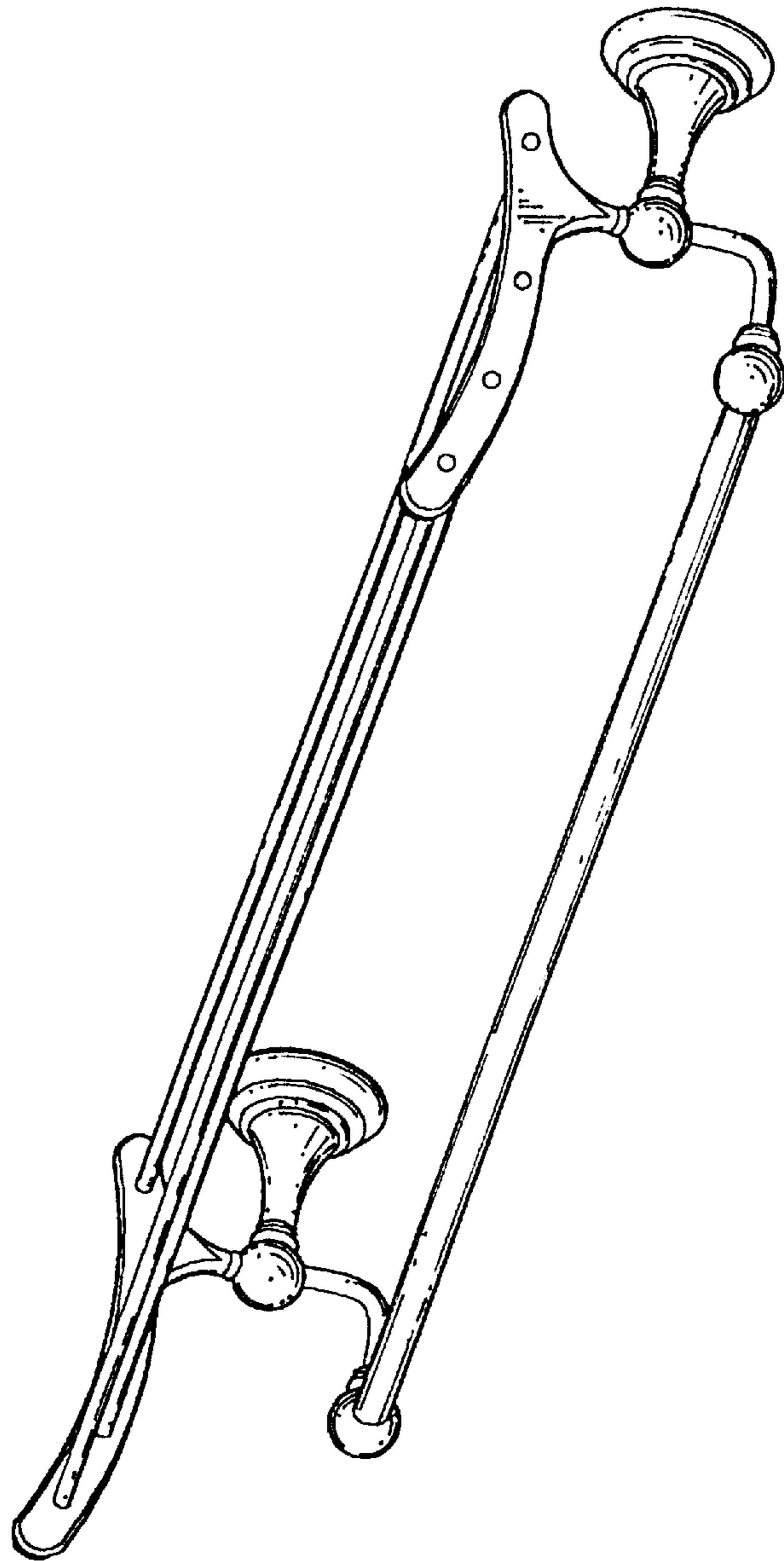


FIG. 1

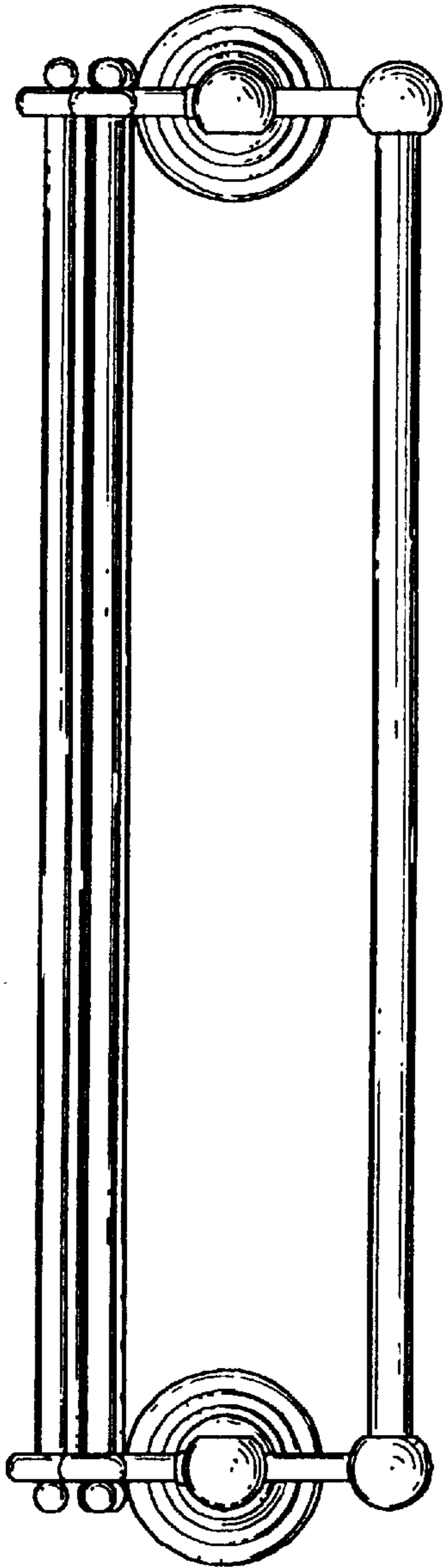


FIG. 2

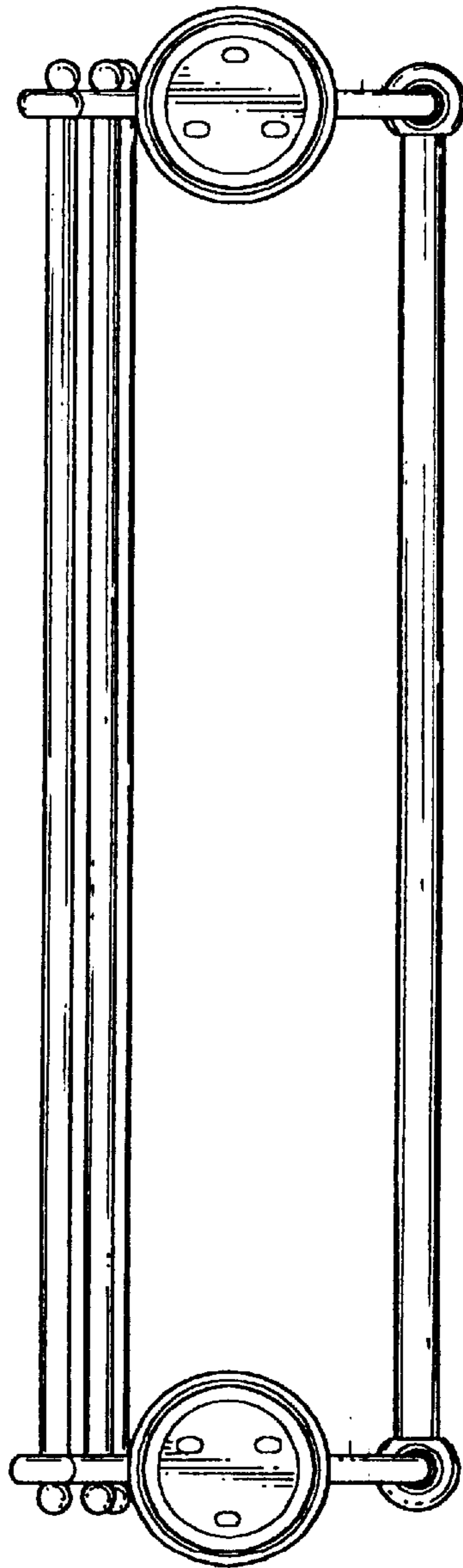


FIG. 3

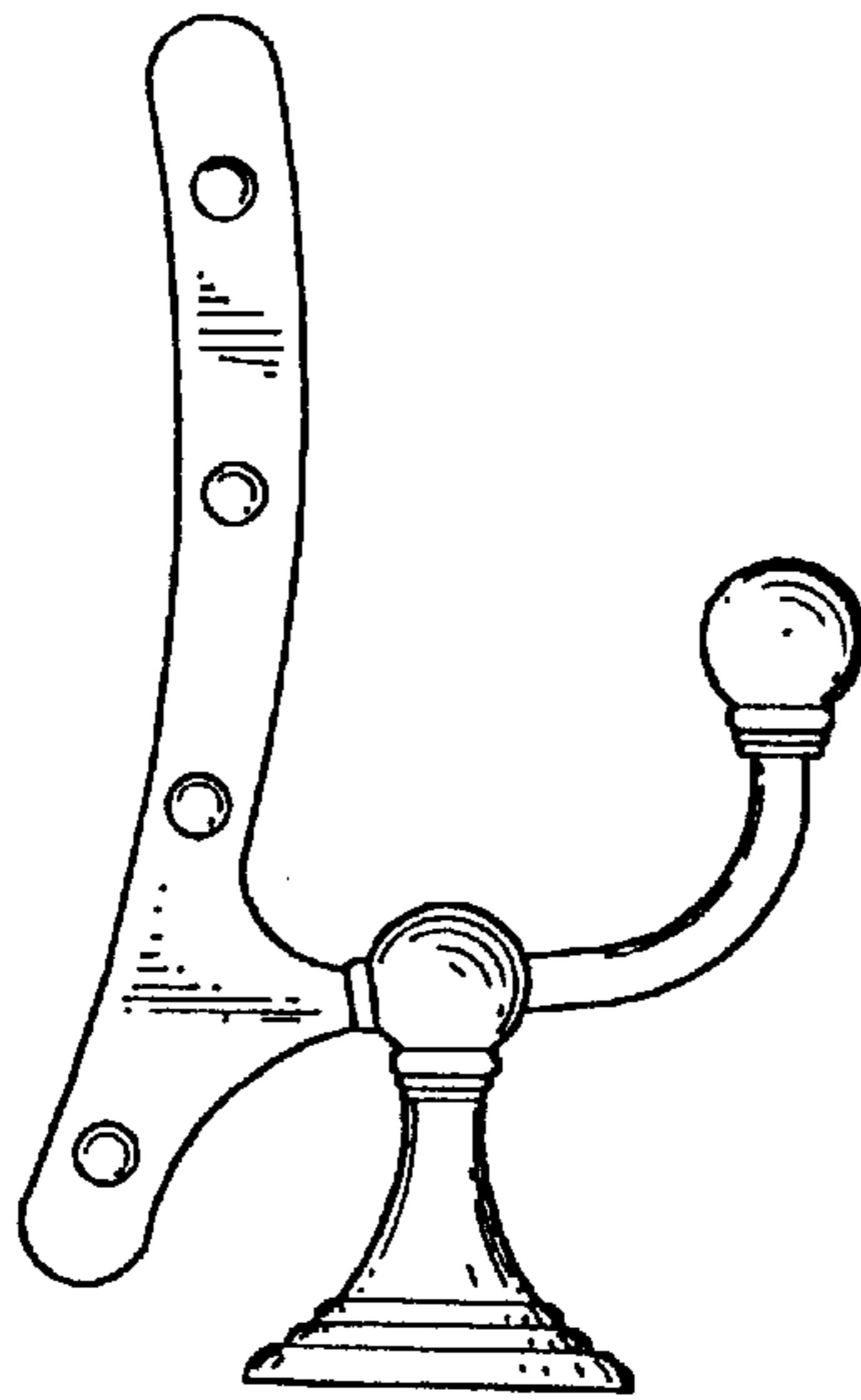


FIG. 4

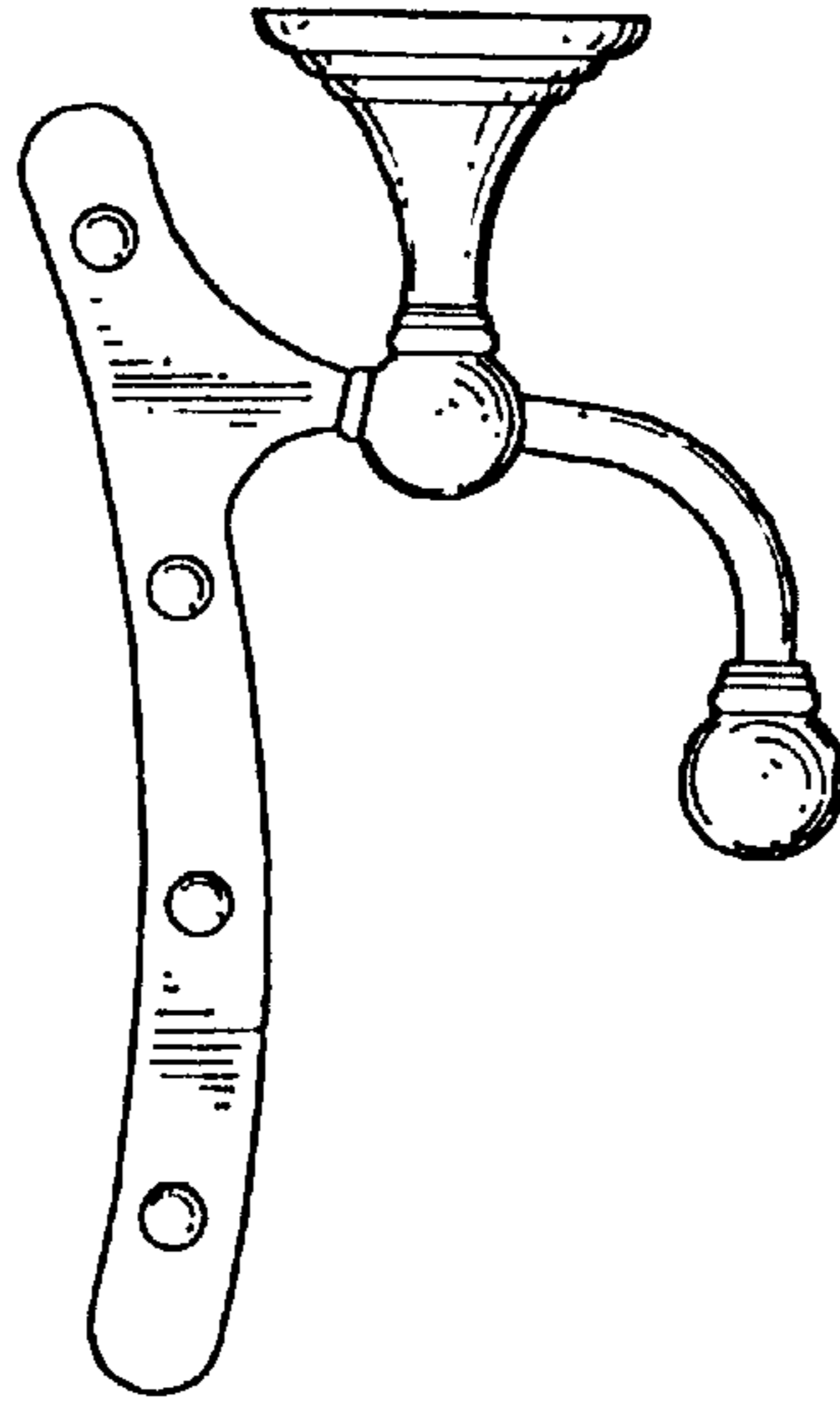


FIG. 5

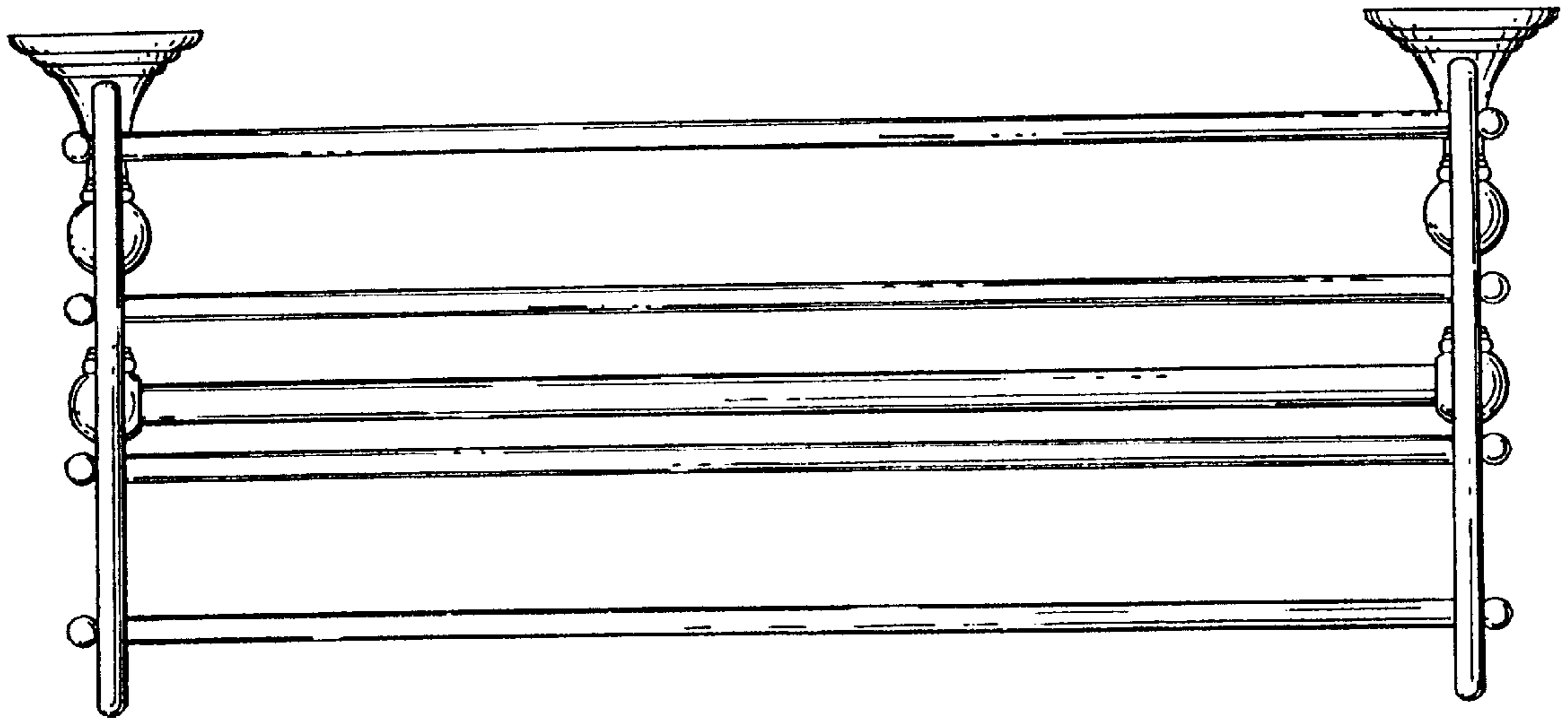


FIG. 6

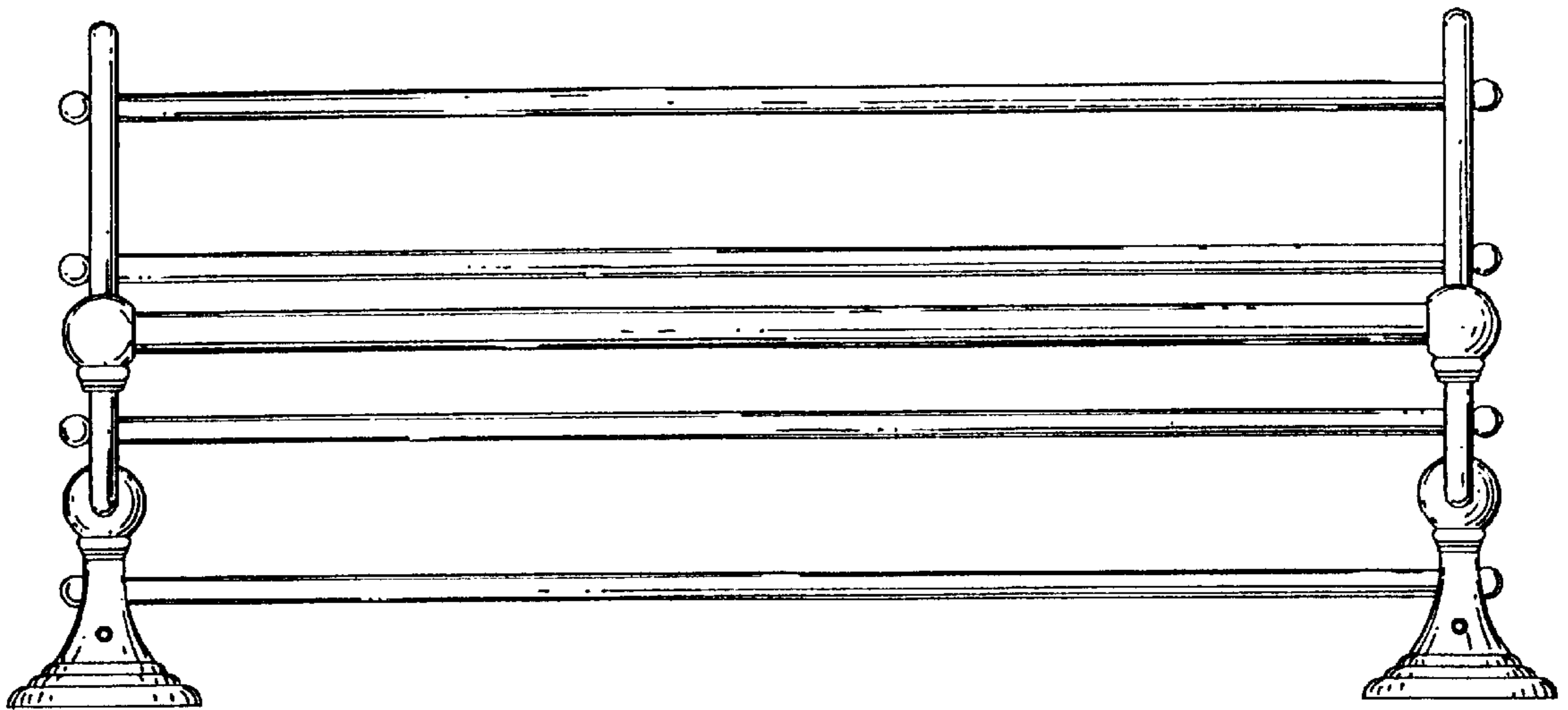


FIG. 7