



US00D406483S

**United States Patent** [19]  
**Bast**

[11] **Patent Number: Des. 406,483**

[45] **Date of Patent: \*\*Mar. 9, 1999**

[54] **POOL CUE REST**

1,683,533 9/1928 Drost ..... 211/68  
3,209,918 10/1965 Farrell ..... 211/68

[76] Inventor: **Randy J. Bast**, 4820 Minnesota Ave.,  
Fair Oaks, Calif. 95628

*Primary Examiner*—Brian N. Vinson  
*Attorney, Agent, or Firm*—Edgar W. Averill, Jr.

[\*\*] Term: **14 Years**

[57] **CLAIM**

[21] Appl. No.: **86,125**

The ornamental design for a pool cue rest, as shown.

[22] Filed: **Apr. 6, 1998**

**DESCRIPTION**

[51] **LOC (6) Cl.** ..... **08-08**

FIG. 1 is a perspective view showing the top, front and right side of the pool cue rest of the present invention showing my new design;

[52] **U.S. Cl.** ..... **D6/552**

FIG. 2 is a front view thereof;

[58] **Field of Search** ..... D6/552; 211/60.1,  
211/68

FIG. 3 is a top view thereof;

FIG. 4 is a left side view thereof;

FIG. 5 is a rear view thereof; and,

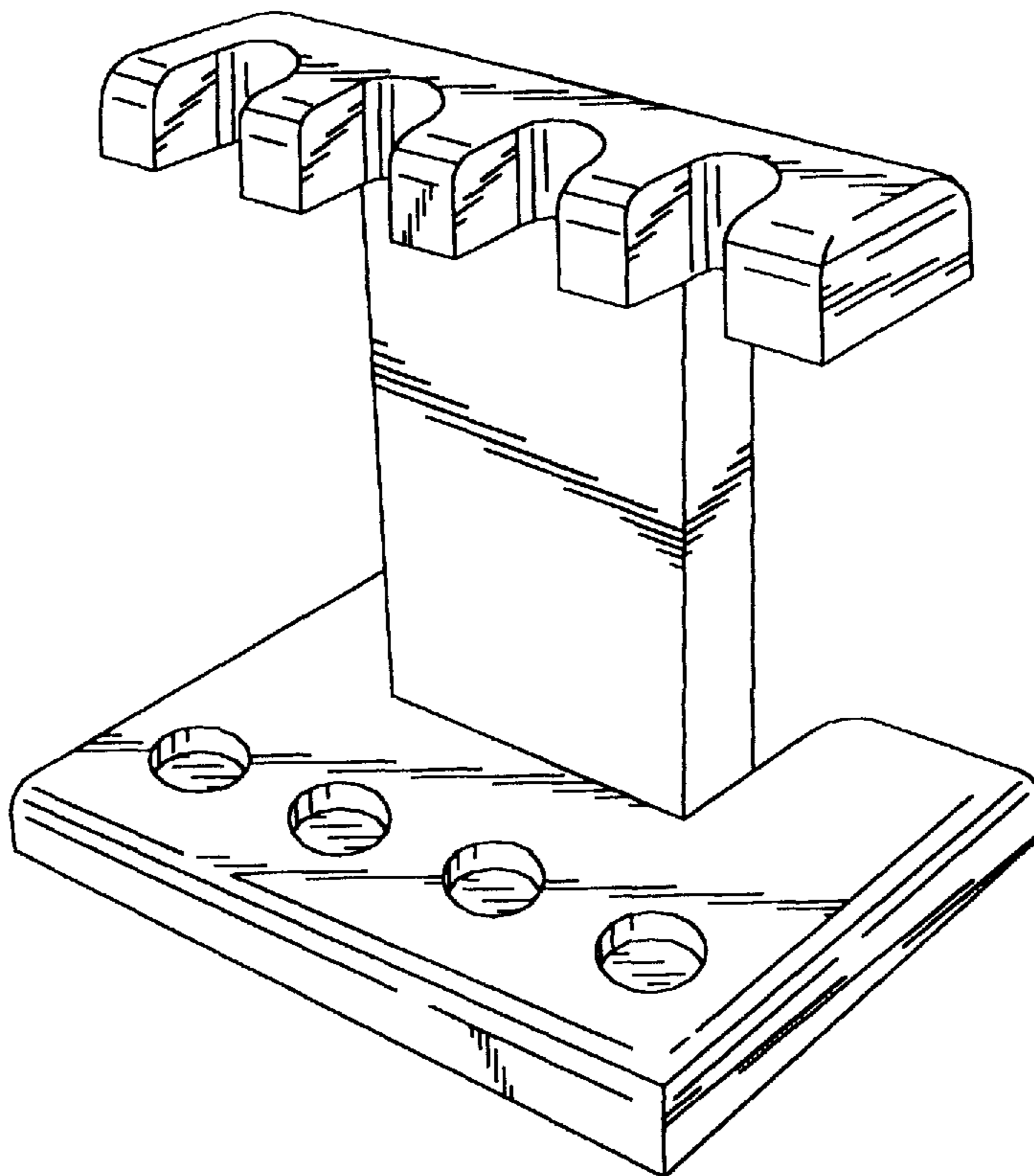
FIG. 6 is a bottom view thereof.

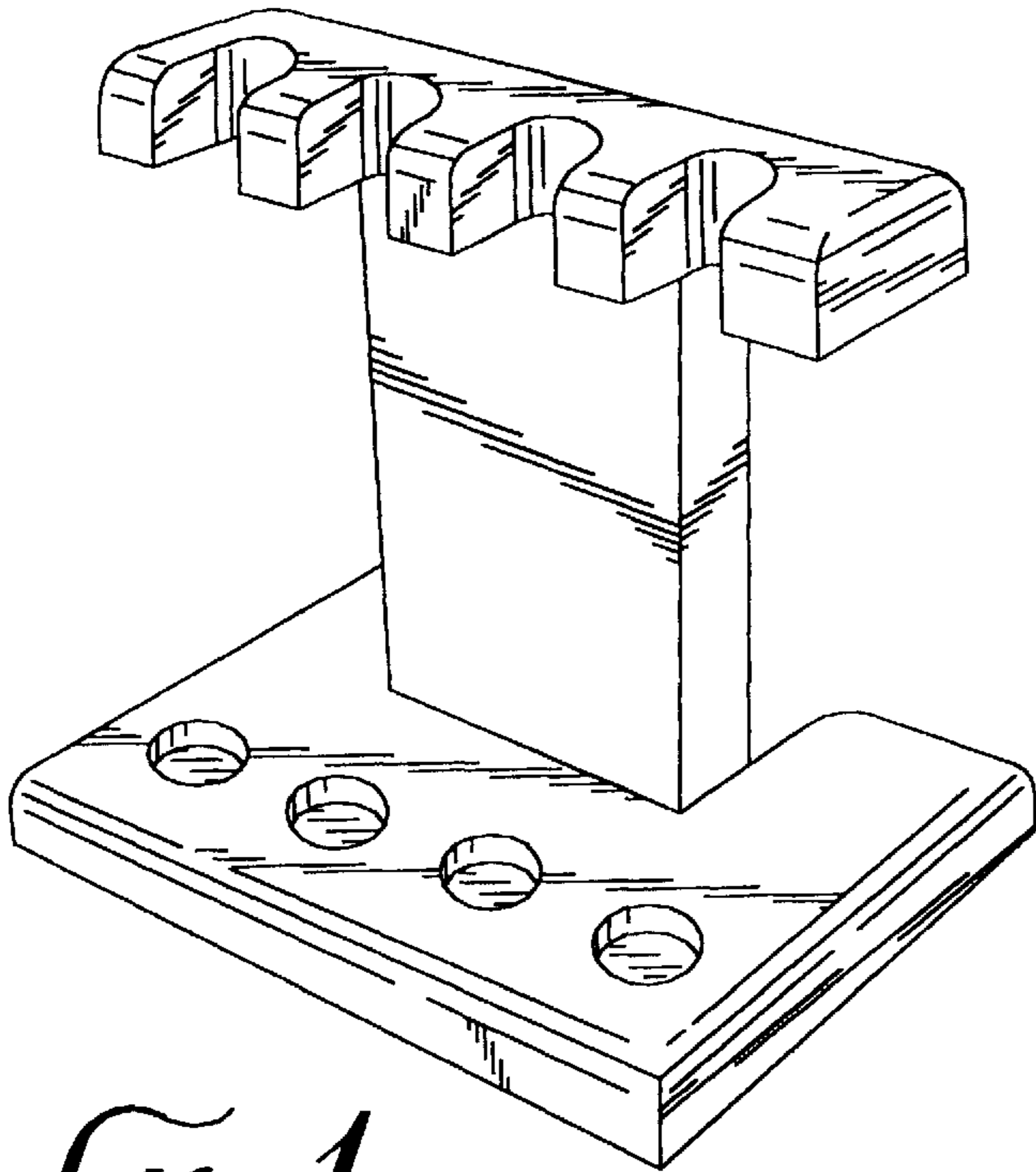
[56] **References Cited**

**U.S. PATENT DOCUMENTS**

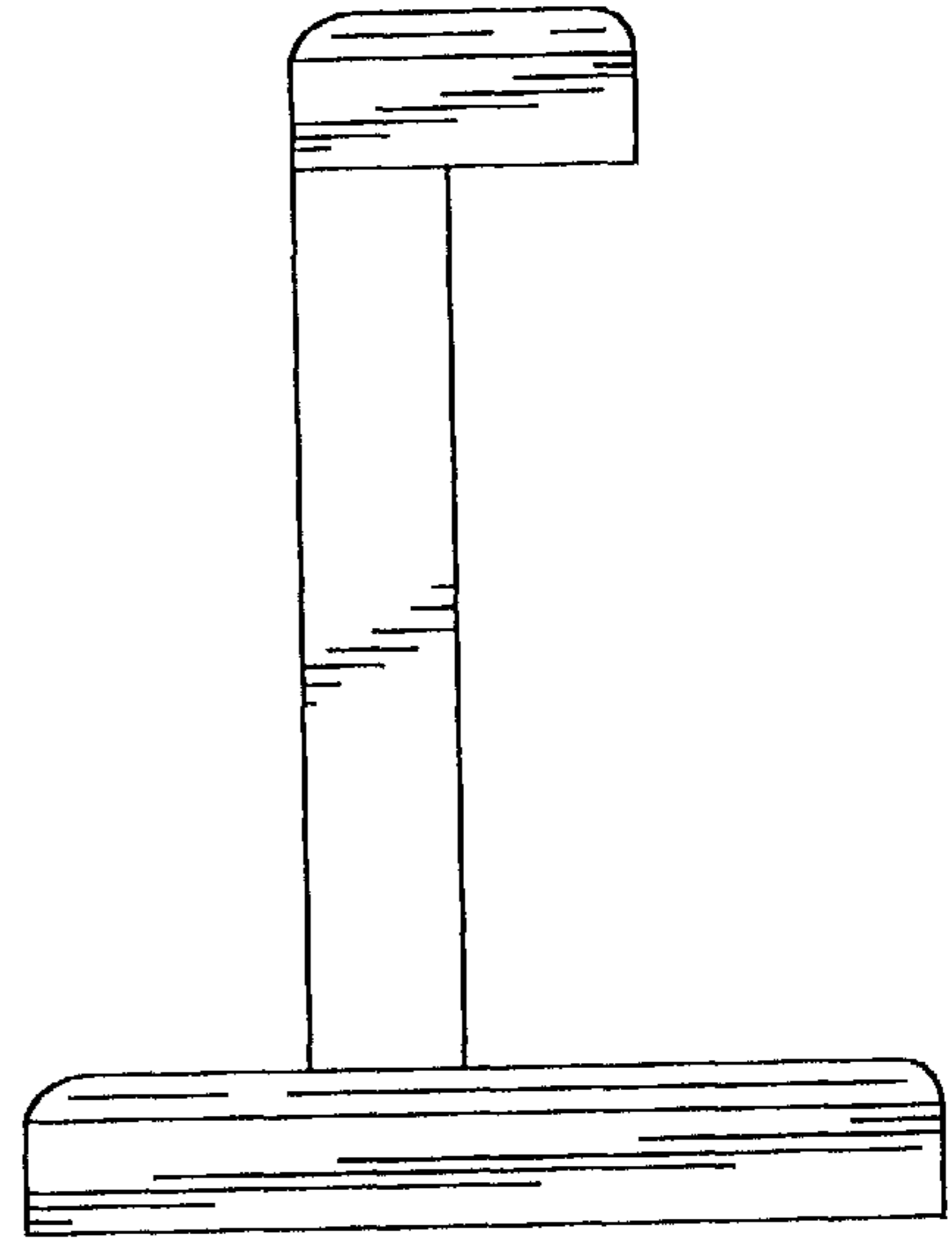
1,174,185 3/1916 Scott ..... 211/68  
1,478,032 12/1923 Hine ..... 211/68

**1 Claim, 2 Drawing Sheets**

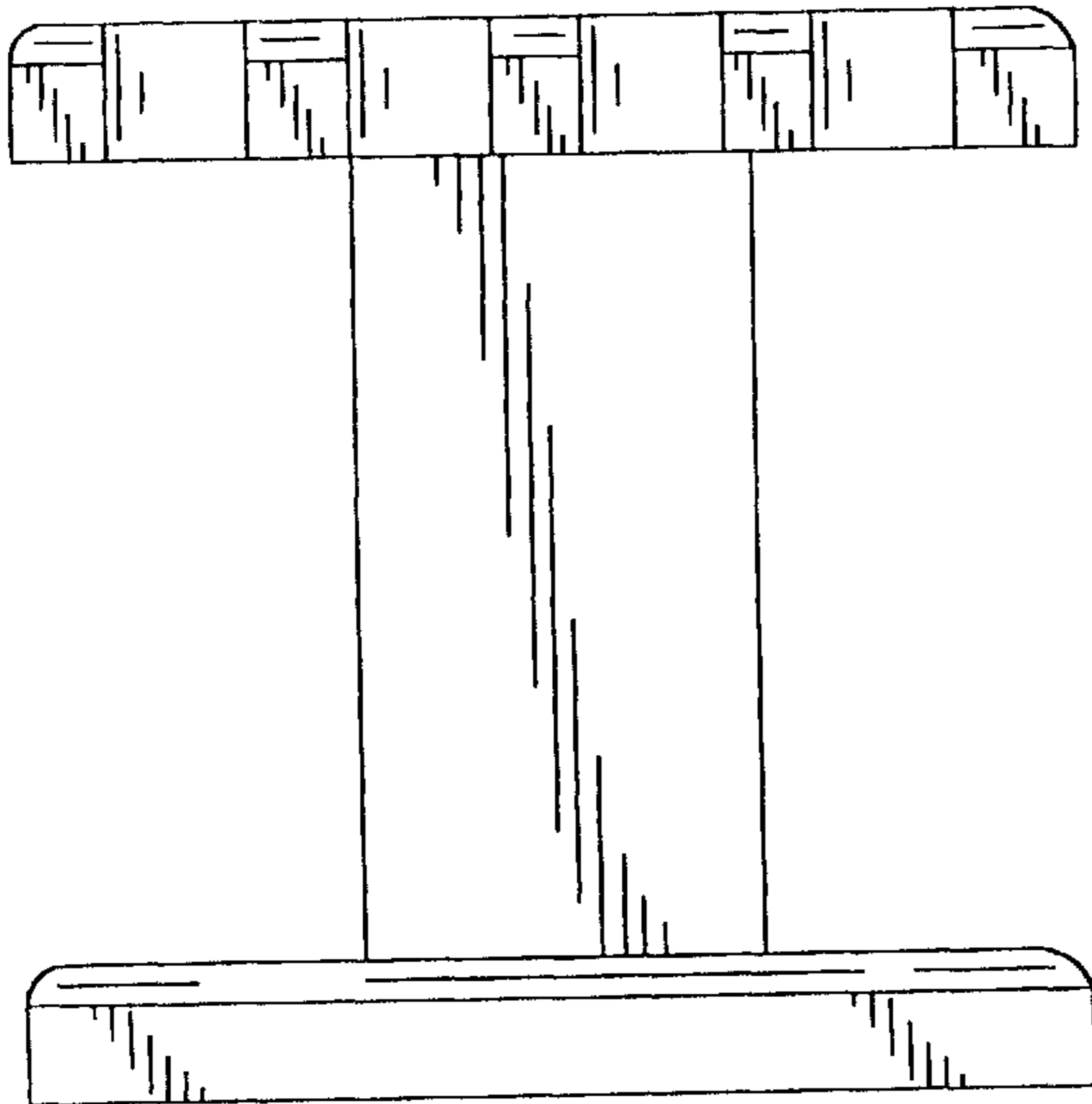




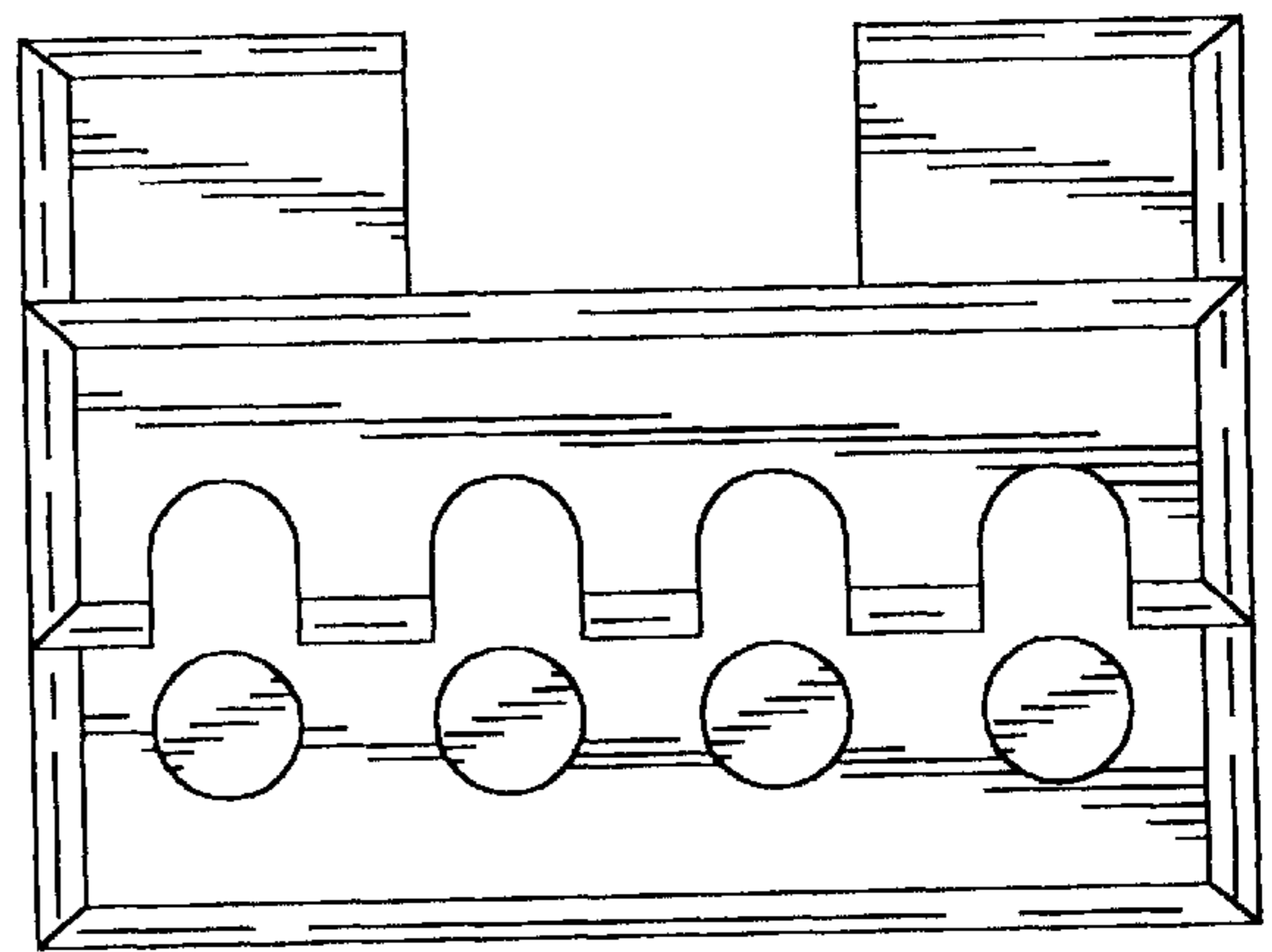
*FIG. 1*



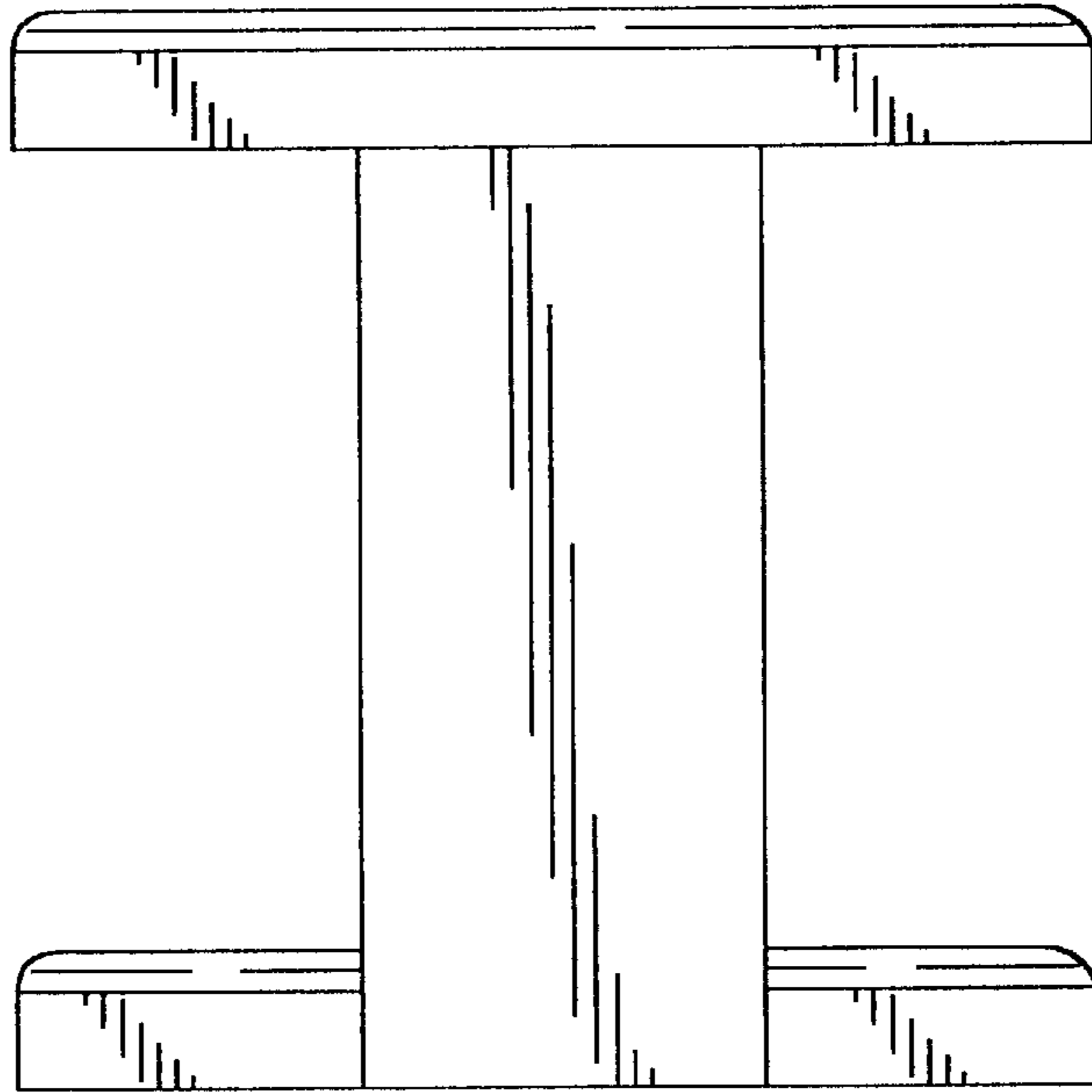
*FIG. 4*



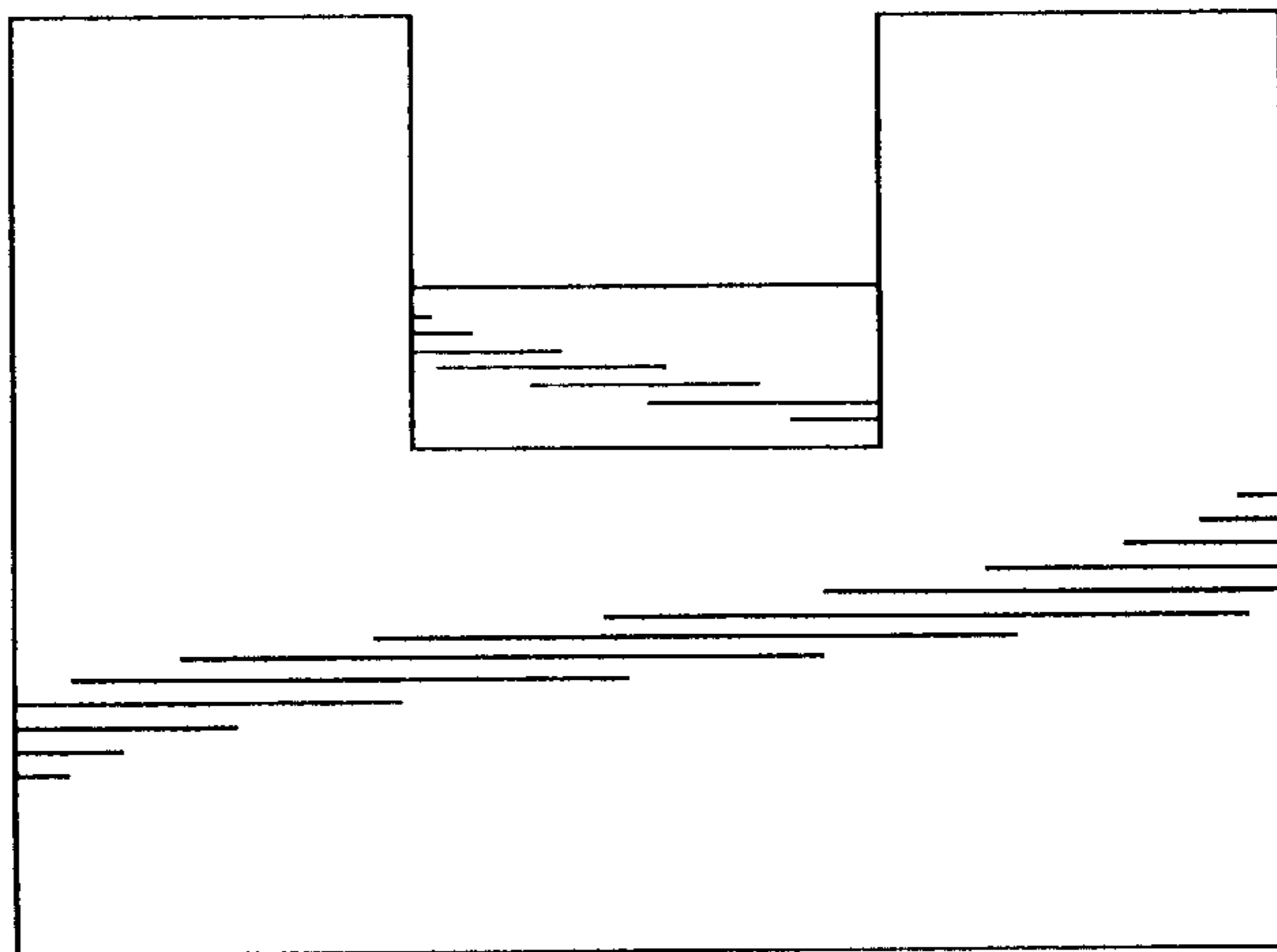
*FIG. 2*



*FIG. 3*



*FIG. 5*



*FIG. 6*