



US00D406481S

# United States Patent [19] Conrado

[11] **Patent Number: Des. 406,481**

[45] **Date of Patent: \*\*Mar. 9, 1999**

[54] **HANGER FOR SECOND TOILET PAPER ROLL**

[76] Inventor: **Edward Conrado**, 280 Hillcrest Dr., Lakeport, Calif. 95453

[\*\*] Term: **14 Years**

[21] Appl. No.: **86,778**

[22] Filed: **Apr. 20, 1998**

[51] **LOC (6) Cl.** ..... **07-07**

[52] **U.S. Cl.** ..... **D6/520; D6/523**

[58] **Field of Search** ..... D6/518-523; 206/225, 206/389, 391; 211/13.1, 71, 72, 113; 242/560, 570, 590, 598; 248/309.1, 317

[56] **References Cited**

**U.S. PATENT DOCUMENTS**

D. 204,595	5/1966	Turro	.....	D6/520
D. 252,842	9/1979	McKee	.....	D6/520
D. 259,682	6/1981	Standing	.....	D6/520
D. 318,770	8/1991	Grisel	.....	D6/523

*Primary Examiner*—Brian N. Vinson  
*Attorney, Agent, or Firm*—Lothrop & West

[57] **CLAIM**

The ornamental design for a hanger for second toilet paper roll, as shown and described.

**DESCRIPTION**

FIG. 1 is a right front perspective of a hanger for second toilet paper roll, showing my new design;  
FIG. 2 is a front elevational view, thereof;  
FIG. 3 is an elevational view of the right side, thereof, the elevational view of the left side being substantially a mirror image, thereof;

FIG. 4 is a top plan view, thereof;

FIG. 5 is a bottom plan view, thereof;

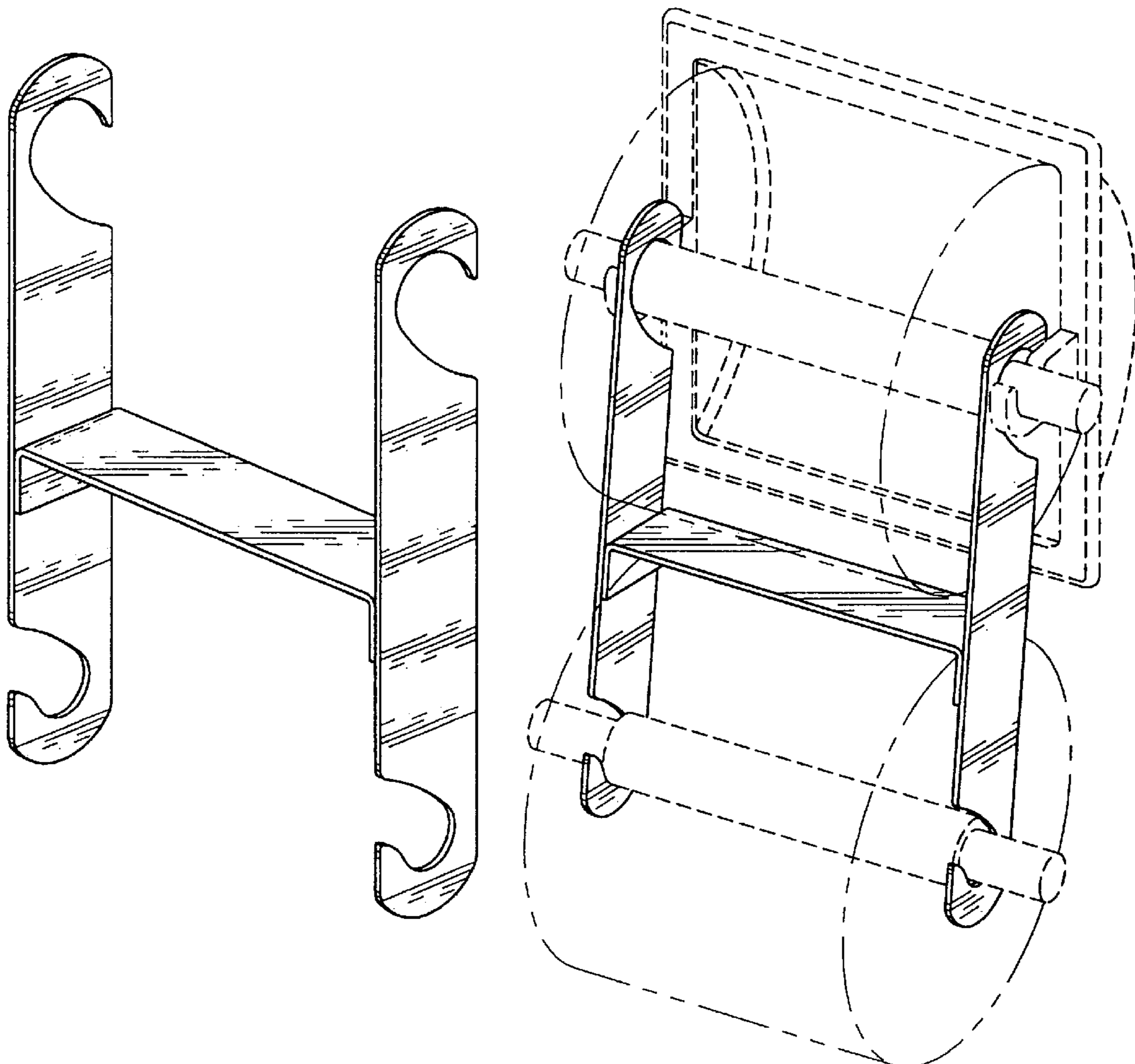
FIG. 6 is a rear elevational view, thereof;

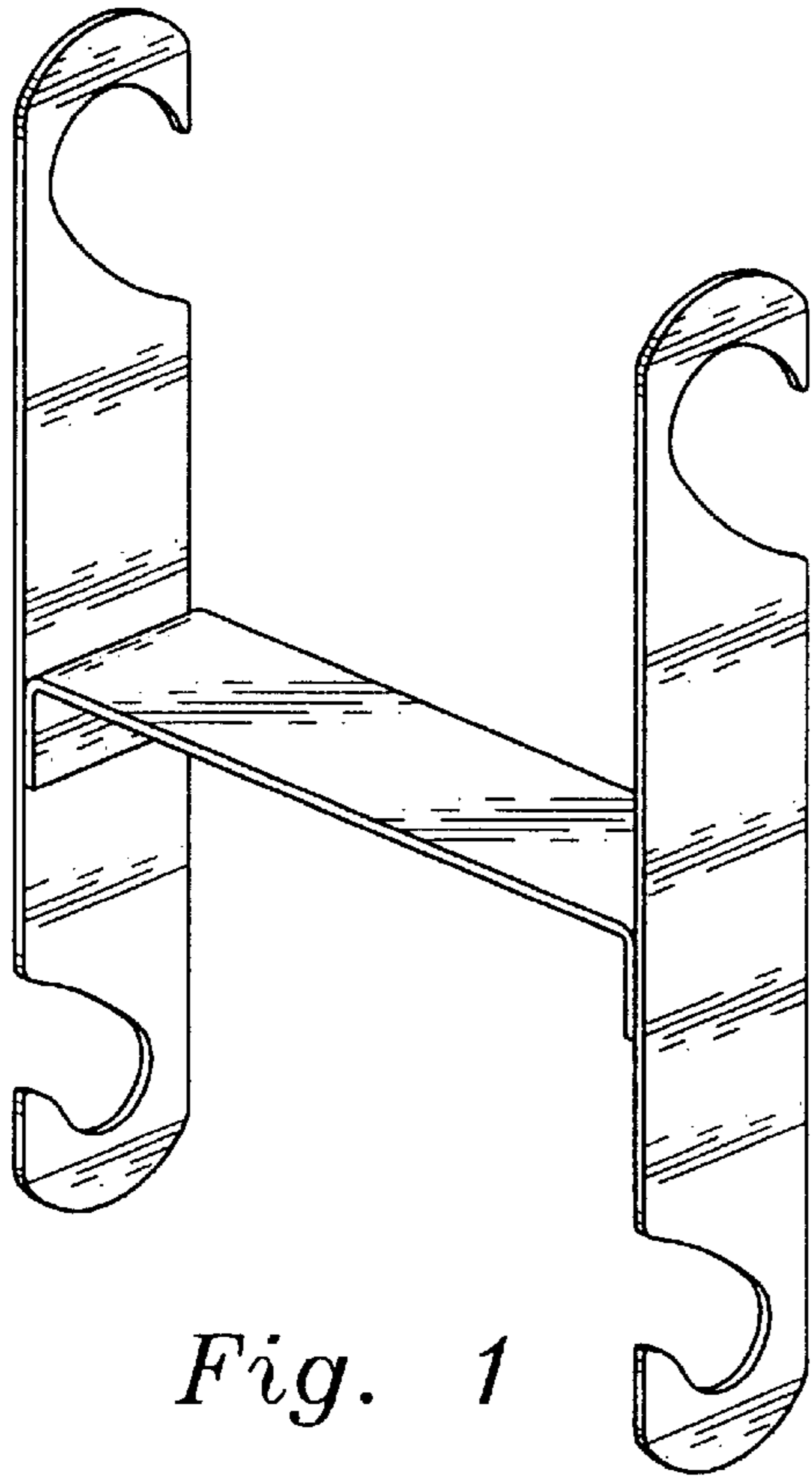
FIG. 7 is a right front perspective view, showing the hanger in combination with a recessed toilet paper holder and two rolls of toilet paper; and,

FIG. 8 is a right front perspective view, showing the hanger in combination with a wall-mounted toilet paper holder and two rolls of paper.

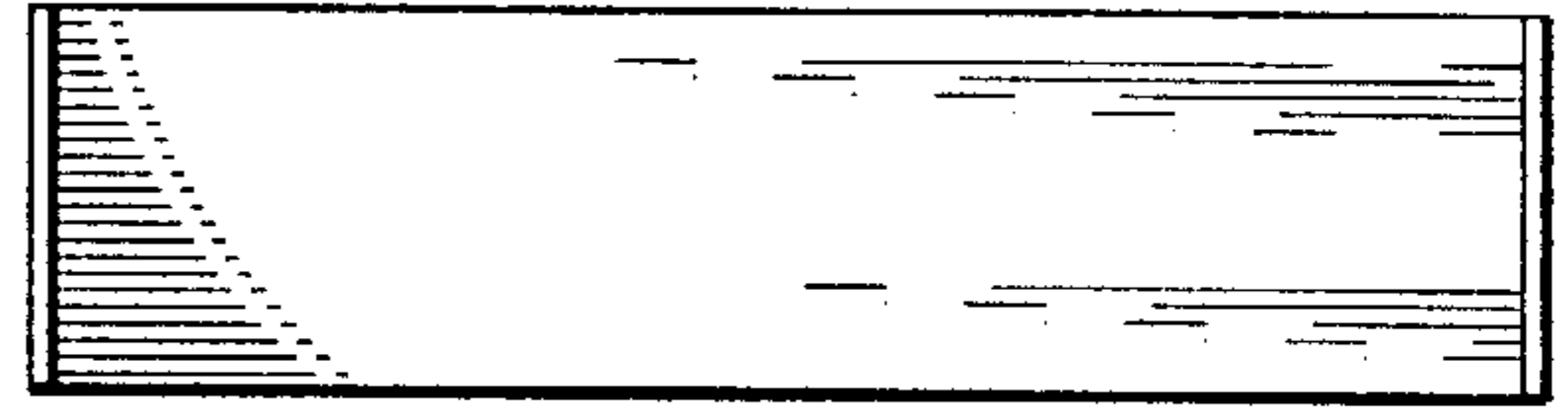
The broken line representations of the toilet paper holders and rolls of toilet paper shown in FIGS. 7 and 8 are included solely for illustrative purposes, forming no part of the claimed design.

**1 Claim, 2 Drawing Sheets**

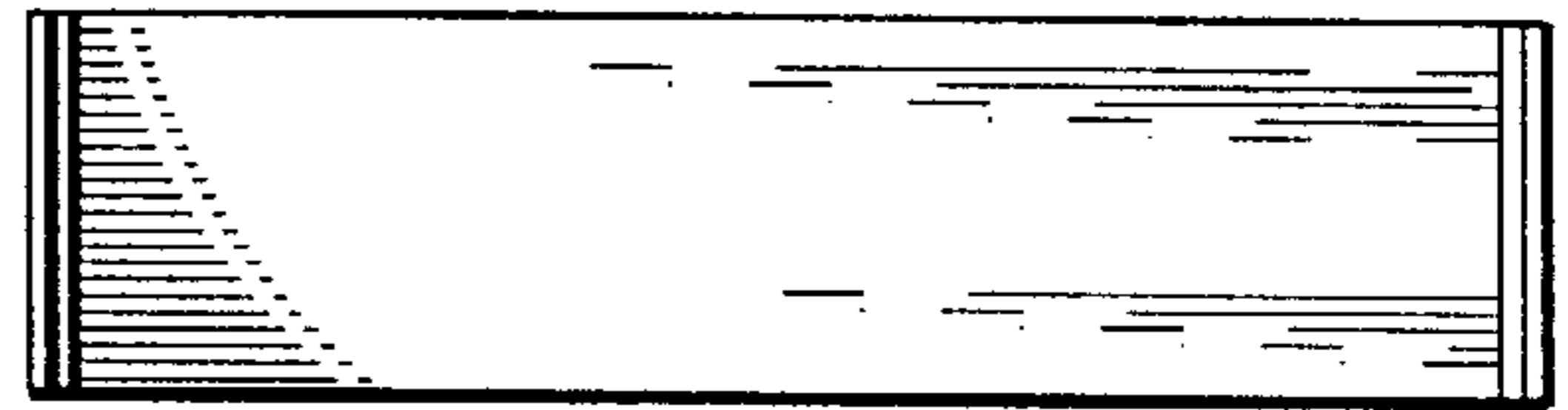




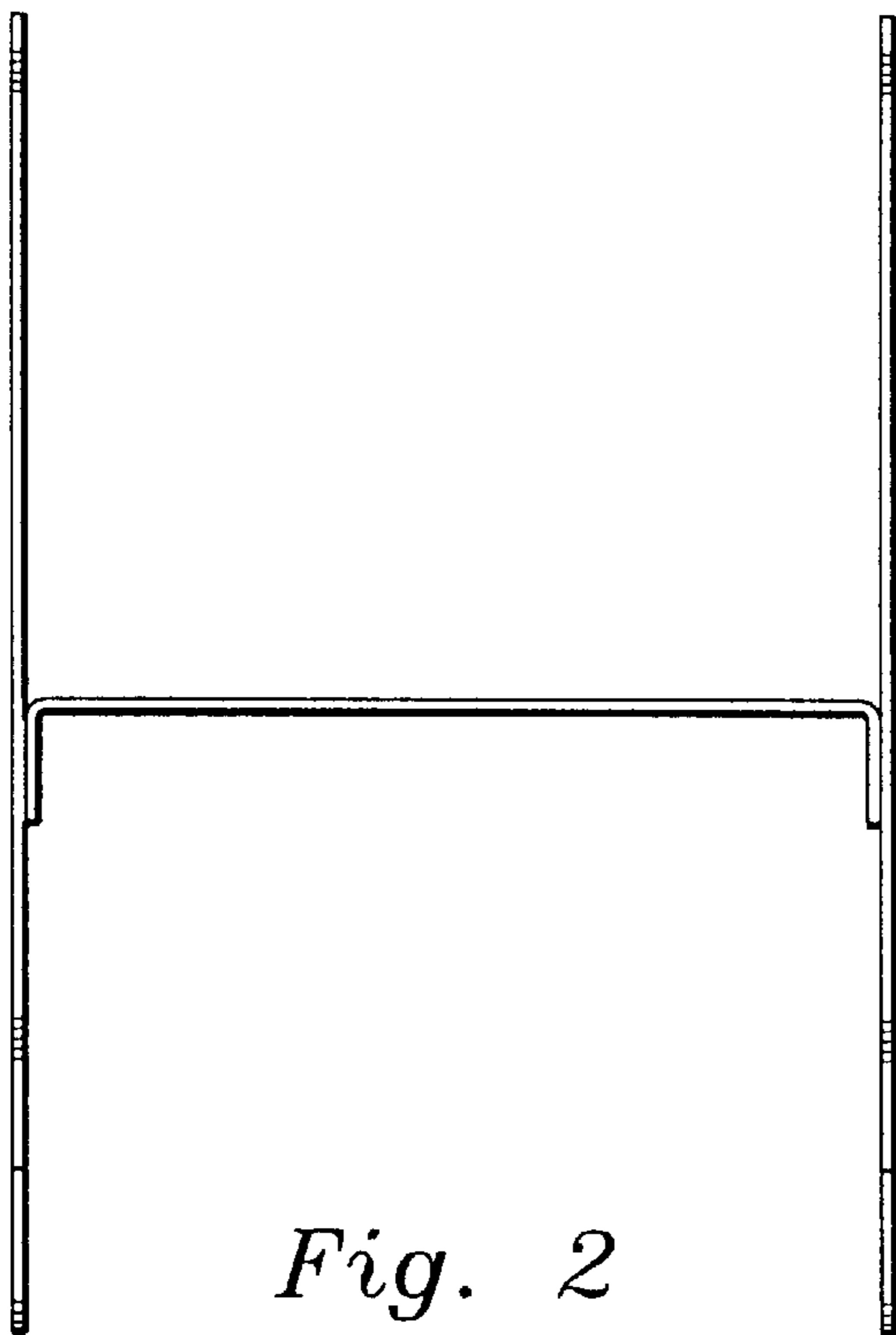
*Fig. 1*



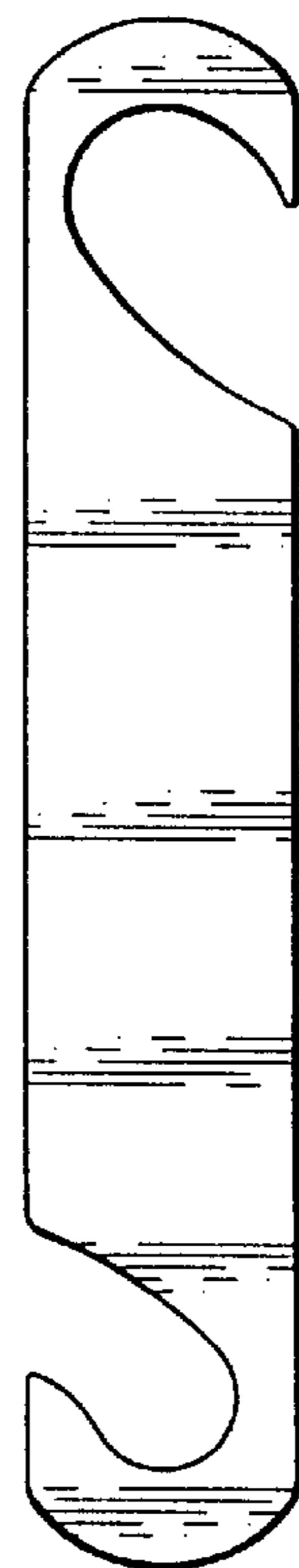
*Fig. 4*



*Fig. 5*



*Fig. 2*



*Fig. 3*

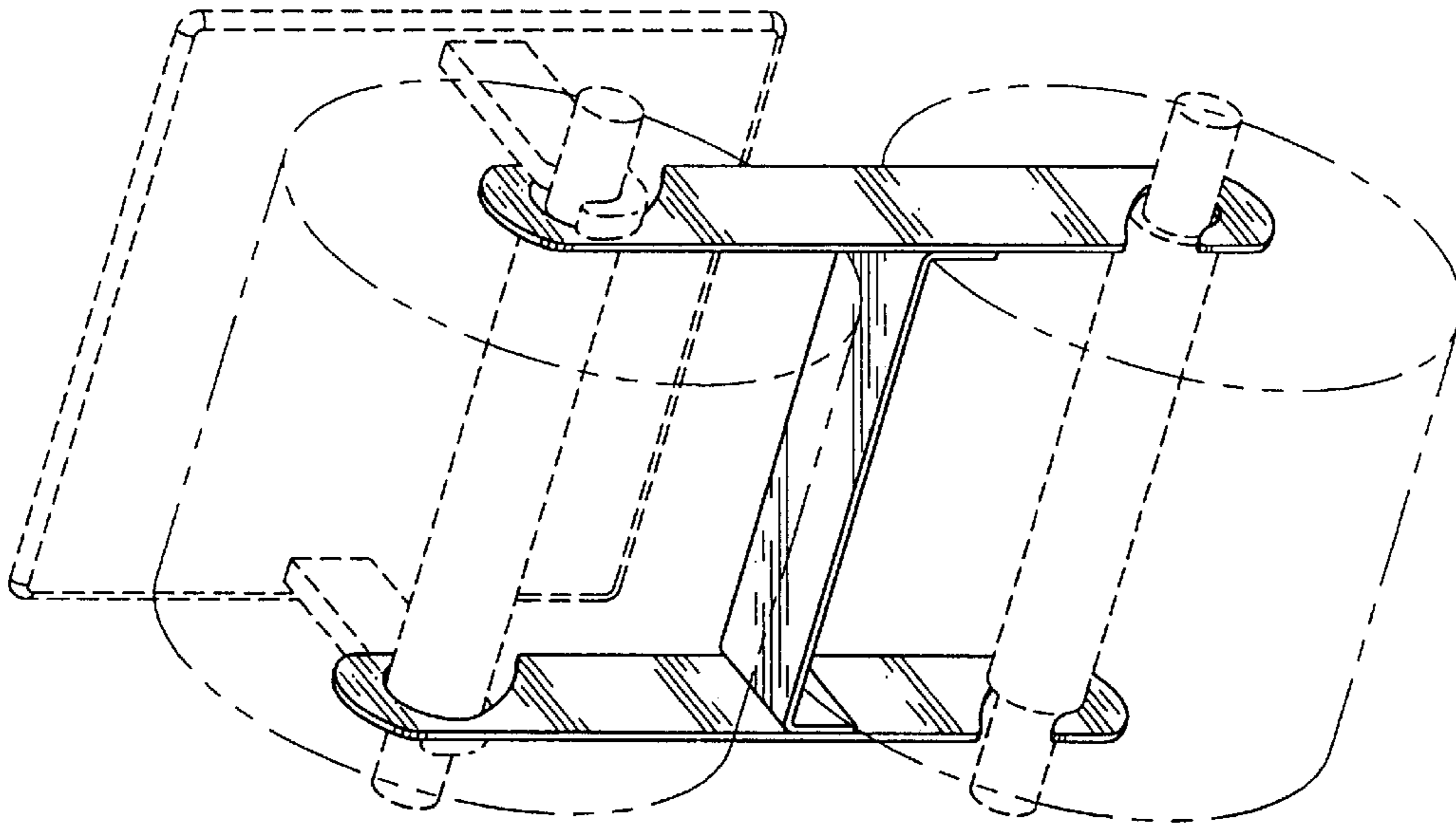


Fig. 8

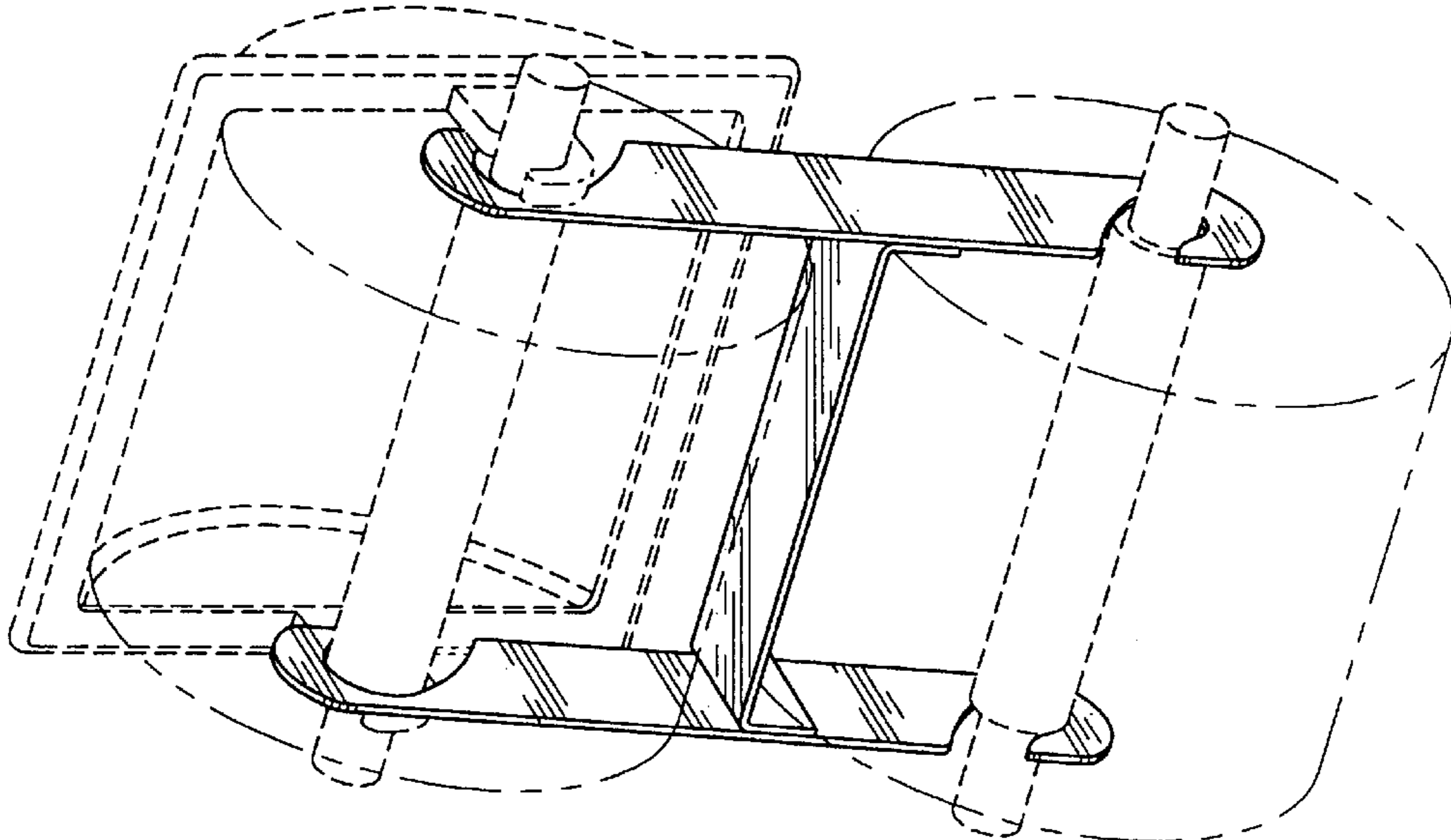


Fig. 7

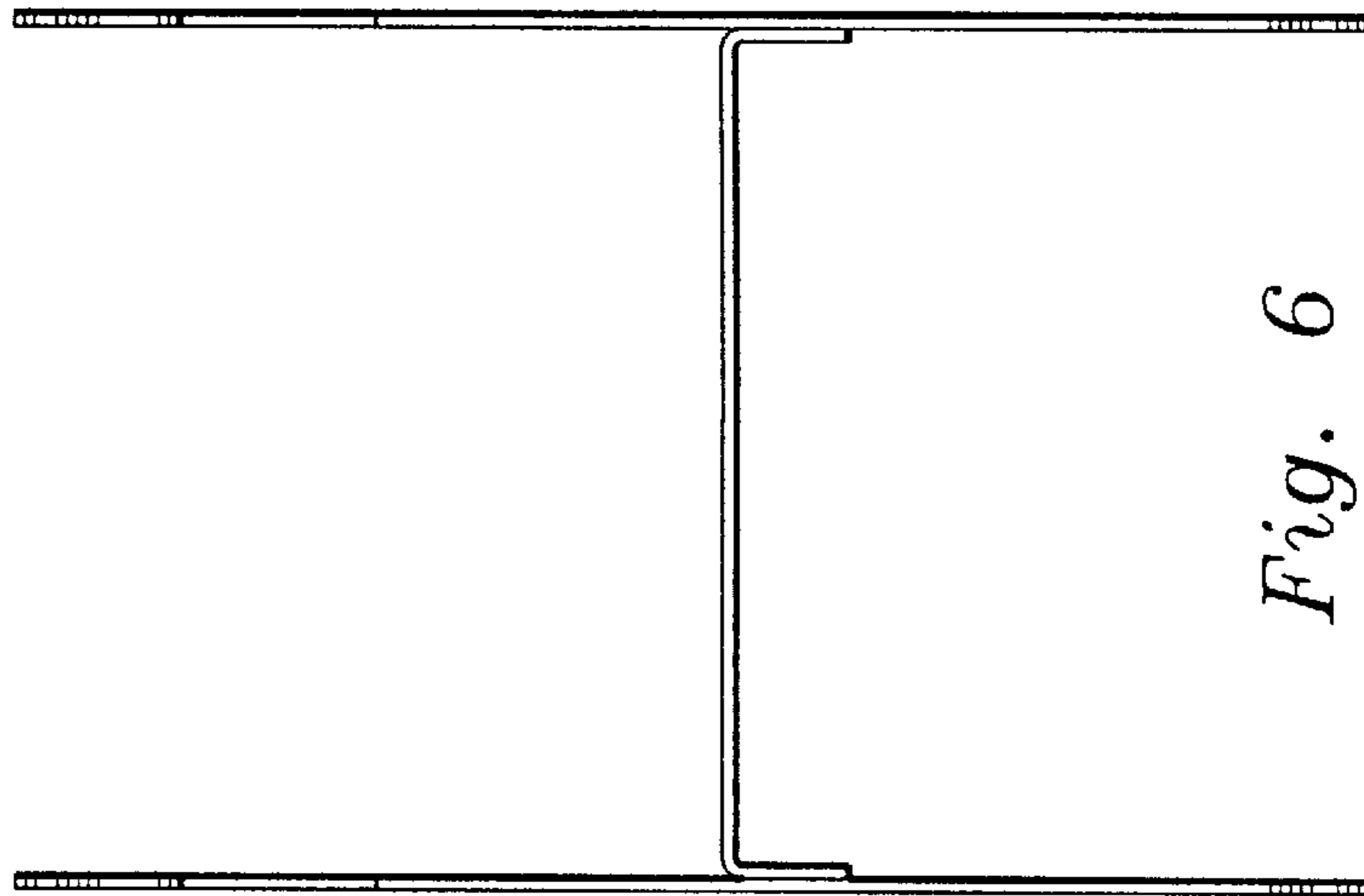


Fig. 6